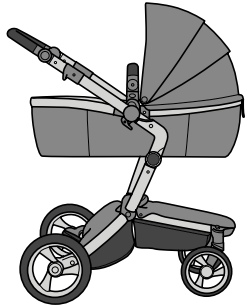


xari

user manual & warranty

**mima**[®]



Dear parents, grandparents, and friends,

Thank you for choosing **xari** and making it part of your family!

Our products are designed and developed with great care for your own comfort and safety and that of your child. We hope you enjoy **xari**.

Please read these instructions carefully before using the pushchair for the first time, this will guarantee safe usage of the product and enable you to find out about all its handy features.

mima

INDEX

- WHAT YOU GET3
- PLEASE NOTE4
- FIRST STEPS5
 - FIRST SETUP
 - WHEELS
 - HANDLEBAR HEIGHT
 - FOLDING AND UNFOLDING
 - PARKING BRAKE
- STAGE 1: BABY7
 - CARRYCOT
- STAGE 2: TODDLER8
 - SAFETY HARNESS
 - SEAT
- ACCESSORIES9
 - SAFETY BAR
 - CANOPY
 - APRON
 - RAIN COVER
 - OTHER ACCESSORIES
- CARE AND MAINTENANCE11
- WARRANTY12

WHAT YOU GET

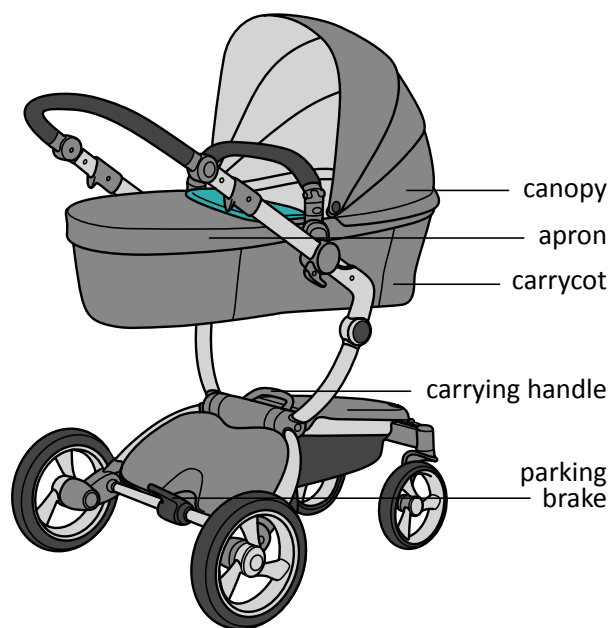
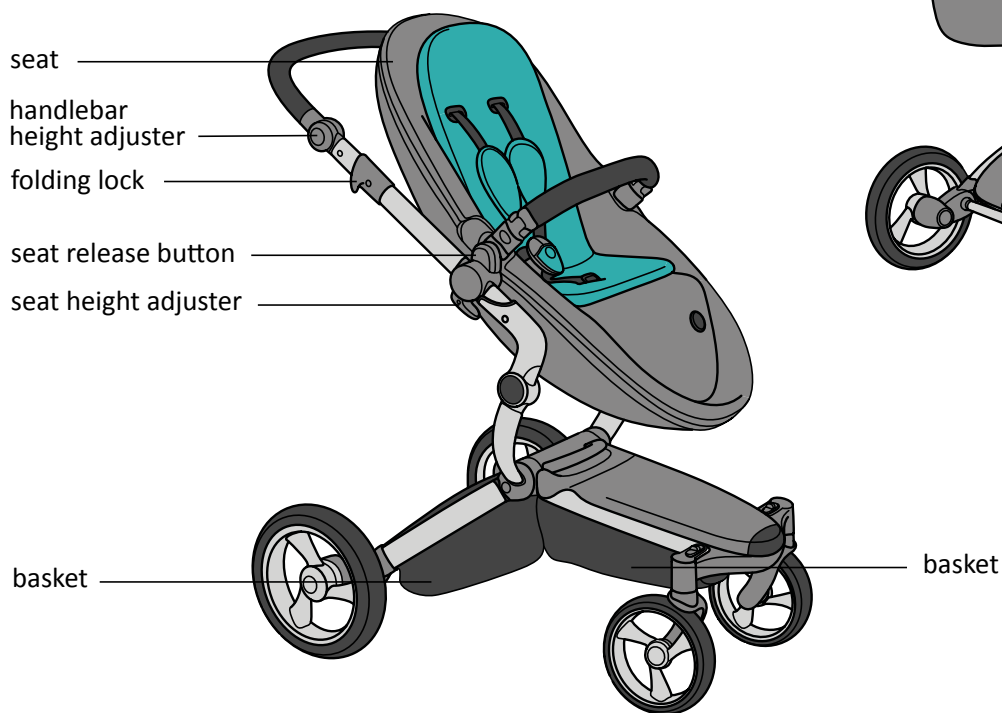
You have received 2 boxes. Please make sure that they contain all the parts that are listed below. If anything is missing, please contact your supplier.

Box 1:

- 1 chassis with 2 baskets attached
- 1 seat with carrycot inside
- 1 safety bar
- 1 canopy
- 2 front wheels
- 2 rear wheels
- 1 rain cover
- 1 carrycot apron

Box 2:

- 1 seat pad with safety harness
- 1 apron flap
- 1 carrycot mattress



PLEASE NOTE

IMPORTANT!

- Read these instructions very carefully before using the product and keep them for future reference. Failure to follow these instructions might put your child's safety at risk.
- This stroller is intended for children from birth and up to 17 kg. When used for children under the age of 6 months we recommend to use the supplied carrycot until the child can sit unaided.
- This stroller can be used for transporting a maximum of one child at a time. The recommended maximum load is 17 kg.
- The maximum weight allowed in each of the two baskets is 3 kg.
- Always use the crotch strap in combination with the waist belt.
- This product is not suitable for running or skating.
- Do not stand on the crossbars between the wheels. This is unsafe and may damage the stroller.
- Check that the carrycot and/or seat are installed correctly and securely locked in place before usage.
- Always apply the brake when standing still even for only a few moments! Apply brake when loading or unloading children.

WARNINGS!

- Your child's safety is your responsibility.
- It may be dangerous to leave your child unattended.
- Ensure that all the locking devices are engaged before use.
- Do not add a mattress thicker than 20 mm. Do not add an additional mattress in the carrycot, only use the one provided by **mima**.
- As soon as your child can sit in the seat unaided make sure to always use the safety harness. Ensure the harness is fitted correctly to prevent the risk of your child sliding or falling out.
- The seat is not suitable for children under 6 months.
- Any load attached to the handle affects the stability of **xari** and increases the risk of it tipping over accidentally.
- Make sure children are clear of any moving parts before making adjustments or folding/unfolding stroller. Ensure that fingers are kept away from the folding mechanism when folding the stroller.
- Do not use the stroller if any parts are damaged or missing. It may be unsafe to use replacement parts that or not supplied by **mima**.
- Do not let your child play with this product.
- This carrycot is suitable for a child who cannot sit up by itself, roll over and cannot push itself up on its hands and knees. Maximum weight of the child: 9 kg (20 lb).

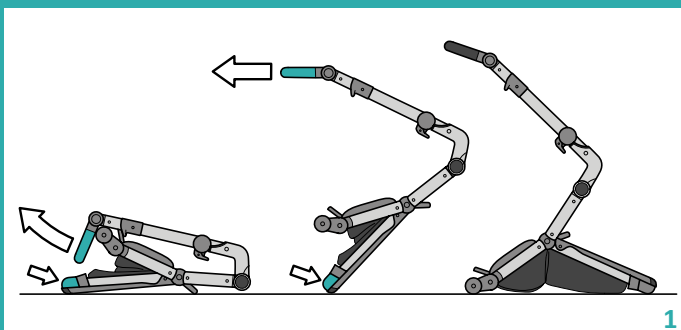
FIRST STEPS

FIRST SETUP

1. Unfold chassis

Pull up the handlebar while holding down the tip of the chassis with your foot.

Continue to pull the handlebar towards you until the chassis completely unfolds and stands by itself.



1

WHEELS

- Please note the L/R indication on the chassis and on each wheel.

2. Attach rear wheels

Press in the wheel axle hub and insert the axle into the wheel fitting.

Check if the wheels are properly attached by attempting to pull them out again.

3. Remove rear wheels

Press in the wheel axle hub and pull out the wheel.

4. Attach front wheels

Insert the wheel rod into the wheel fitting and push in until it clicks.

5. Front wheel swivel lock

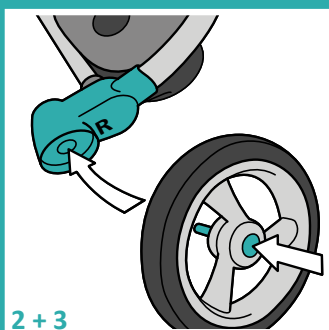
Use the front wheel swivel lock when you are using **xari** on rough terrain.

Push down the swivel lock button to activate.

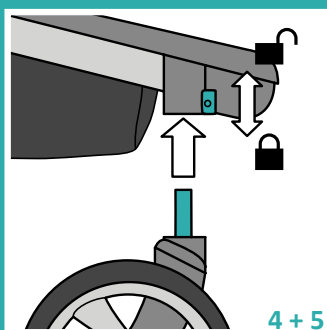
Pull it up again to deactivate.

6. Remove front wheels

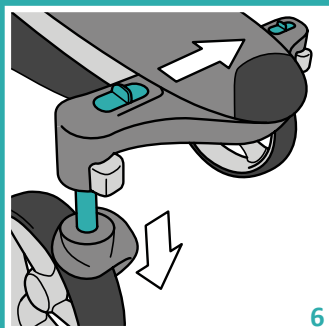
Slide the unlock button sideways and pull out the front wheel.



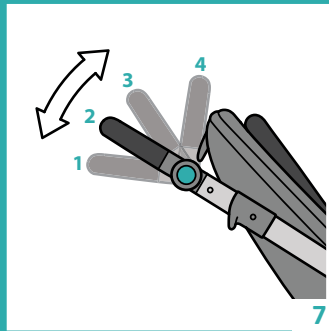
2 + 3



4 + 5



6



HANDLEBAR HEIGHT

7. Adjust handlebar height

Press and hold both buttons located on the outside of the handlebar and rotate the handlebar into the desired position.

FOLDING AND UNFOLDING

- **WARNING:** Child should not be near to the stroller when folding or unfolding!
- Ensure the brake is on while folding and unfolding the chassis.

8. Unfold chassis

Pull the handlebar upwards until it clicks into place. The chassis will subsequently completely unfold and stand by itself (don't force the front fork in advance). Rotate the handlebar into the desired position.

9. Fold chassis (with seat attached)

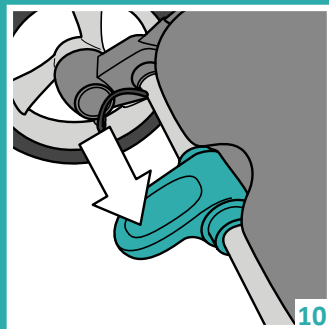
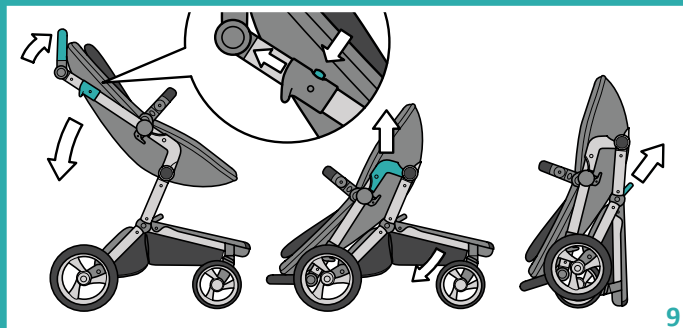
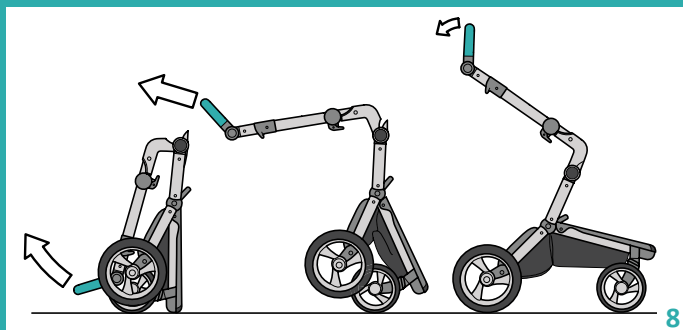
- *xari* can be folded with the seat attached (i.e. in its upright position and forward facing).
- *xari* cannot be folded with the carrycot attached.

Rotate the handlebar into position 4 (see [fig. 7](#))

Push down the safety button then pull the 2 folding locks upwards, then lower down the handle bar until it locks into folding lock underneath.

Grab the chassis at the two hinge parts and pull it upwards so the front section fork folds down.

Let the chassis stand and rest onto the front wheels. To transport the chassis grab the carrying handle.



PARKING BRAKE

- **WARNING:** Always use the brake even when standing still for only a few moments!

10. Apply and release parking brake

Press down the brake pedal to park.

Press it down again to release.

STAGE 1: BABY

CARRYCOT

- When using *xari* for children under the age of 6 months, we recommend using the supplied carrycot until the child can sit unaided.

11. Set up carrycot

Zip open the seat and take out the carrycot. Push the two flaps underneath the carrycot tube. Place the mattress inside the carrycot and attach the safety bar (see [fig 25](#)).

12. Adjust carrycot angle

It is easier to fit the carrycot onto the chassis if the attachment brackets are in position III, pointing straight downwards. To achieve this pull the angle adjustment lever and rotate the brackets. The carrycot angle can also be adjusted when fitted to the chassis.

13. Attach carrycot

Position the carrycot so that the angle adjustment lever is at the front end of the stroller. Lower the carrycot onto the chassis until it clicks in place.

14. Remove carrycot

Press the two buttons on both sides of the carrycot and lift it up.

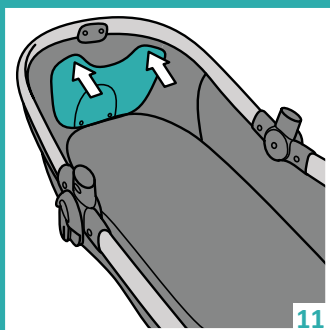
15. Adjust height of carrycot

- There are two height positions for the carrycot.

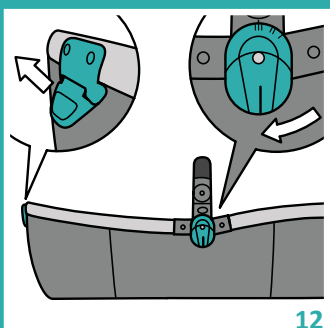
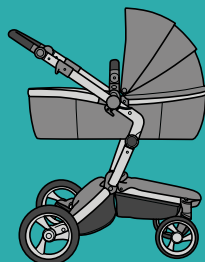
Press the height adjustment buttons on both sides of the chassis and move the carrycot up or down.

16. Collapse carrycot

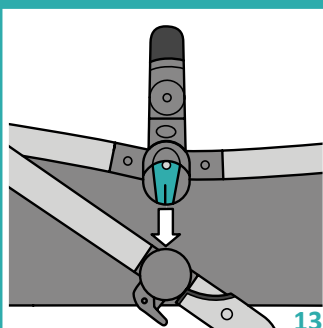
Remove the mattress and the safety bar. Release the sideflaps from the carrycot frame. Open the seat and position the collapsed carrycot inside the seat. Align the angle adjustment lever with the hole in the rear shell of the seat. Make sure the seat brackets stay out of the seat.



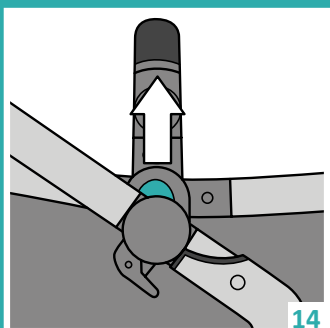
11



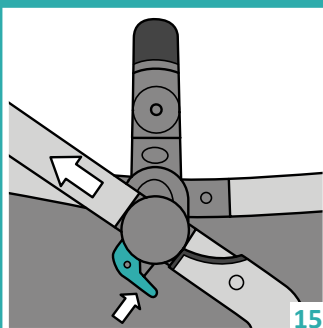
12



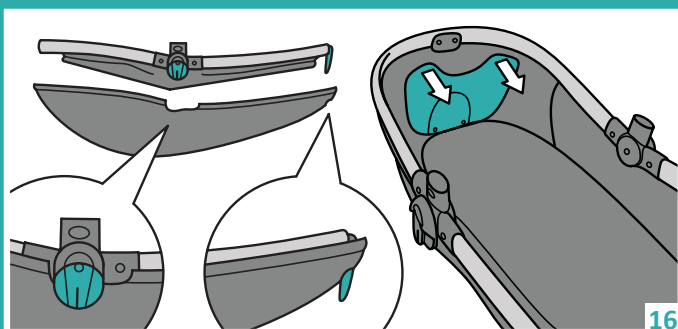
13



14



15



16

STAGE 2: TODDLER

SAFETY HARNESS

- Whenever a child is placed in the seat, ensure that the safety harness is correctly fitted.
- The shoulder straps can be set at two different height positions. Choose the position closest to the top of the child's shoulders.

17. Set up harness

Take each harness attachment and slide off the bottom part. Push the harness attachment through its corresponding hole in the seatpad and the seat. Zip open the seat and slide the bottom part onto the harness attachment from the inside of the seat until it clicks in place.

18. Buckle up

Push the shoulder strap buckles into the buckle slot until it clicks. Pull the loose ends on the shoulder straps to fit the harness snugly around the child.

19. Buckle down

Push the central buckle button to release the harness.

SEAT

- The seat is suitable for children from the age of 6 months and up to 17 kg.
- The seat can be attached either forward facing or backward facing.

20. Attach seat

Lower the seat onto the chassis until it clicks in place.

21. Remove seat

Press the two seat release buttons on both sides of the seat and lift it up.

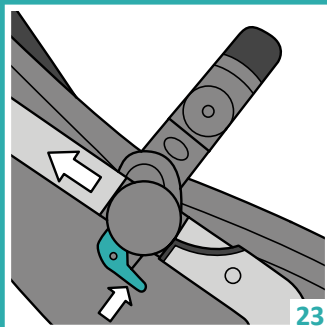
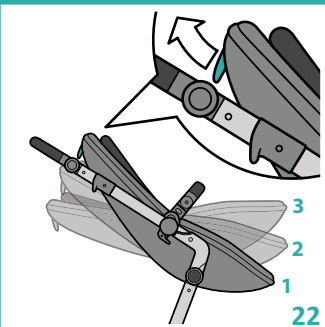
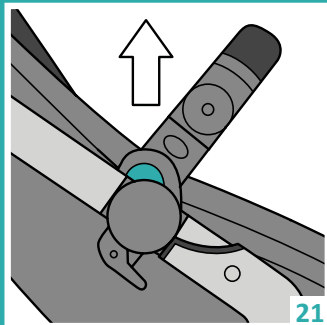
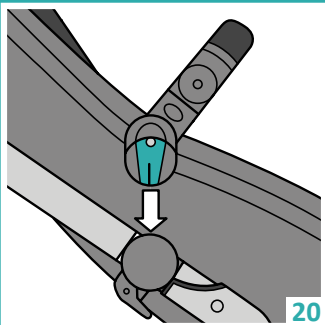
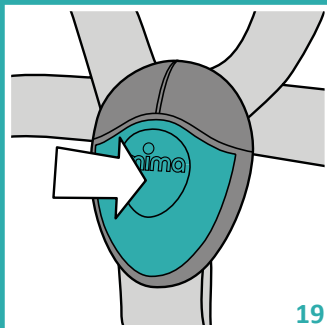
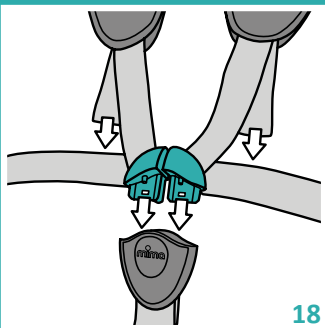
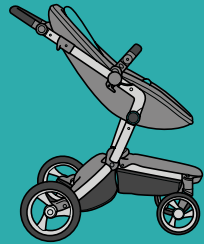
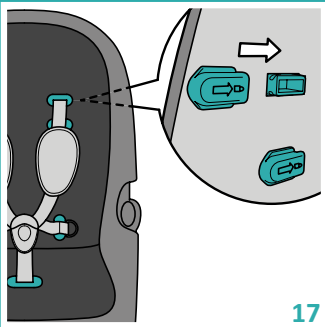
22. Adjust seat angle

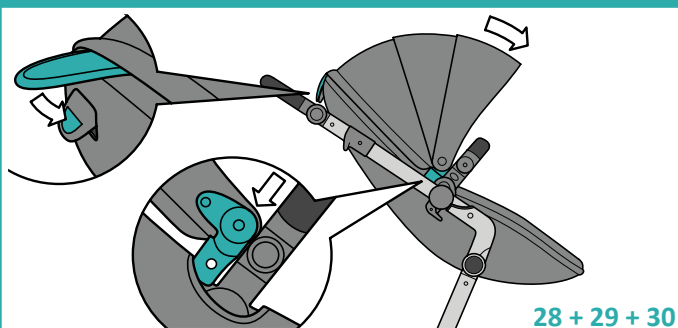
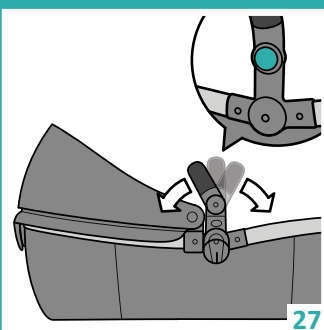
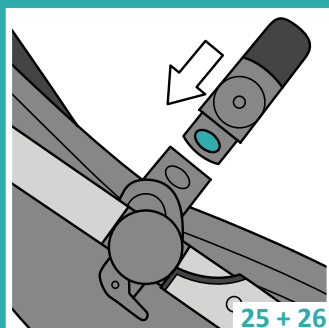
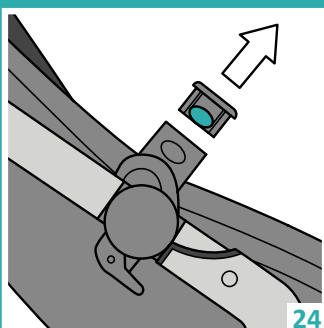
Pull up the lever on the top of the seat, and rotate the seat into the desired angle.

23. Adjust height of seat

- There are two height positions for the seat.

Press the height adjustment buttons on both sides of the chassis and move the seat up or down.





ACCESSORIES

SAFETY BAR

- *Always use the safety bar for the safety of your child.*

24. Remove safety bar covers

Push in the buttons and slide the covers off. Keep the covers in a safe place for future use.

25. Attach safety bar

While pressing the two buttons on the outside of the safety bar, push it down onto the seat frame, until it clicks. Check if the safety bar is properly attached by attempting to pull it out again.

26. Remove safety bar

Press the buttons on the outside of the safety bar, and pull it up.

27. Adjust safety bar angle

While pressing the two buttons on the inner side of the safety bar, rotate it to the desired angle.

CANOPY

- *The canopy can be fixed to both the seat as well as the carrycot.*
- *When the canopy becomes wet, keep it open and let it dry before closing it.*

28. Attach canopy to seat or carrycot

Push the canopy clips onto the seat frame until they click in place.

Fix the velcro flap to the seat.

29. Open/close canopy

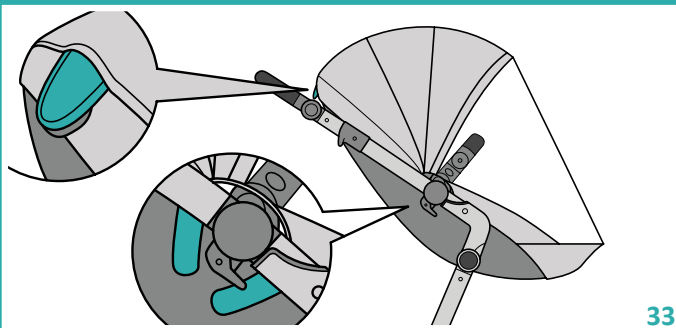
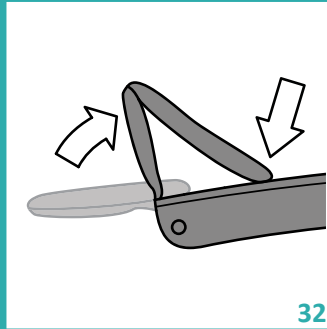
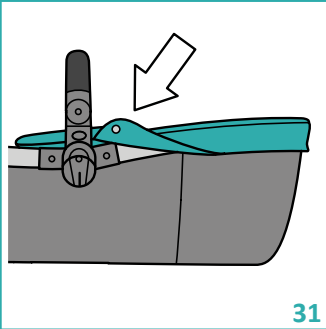
Pull the canopy flaps to open.

Push down the canopy flaps to close.

30. Remove canopy

Release the velcro flap at the top of the canopy

Pull the canopy clips outwards and pull them up to remove them from the seat frame.



APRON

31. Attach apron to carrycot

First zip the apron flap onto the apron body.

Place the apron over the carrycot frame.

Click the snap buttons on both sides of the apron onto the studs of the carrycot frame.

32. Adjust apron

The upper apron flap can be placed into two different positions, which are magnetized.

RAIN COVER

- The rain cover can be fixed to both the seat as well as the carrycot.

- Make sure you attach the canopy first.

33. Attach rain cover to seat or carrycot

Fully open the canopy.

Position the rain cover over the canopy so the rotation lever goes through the hole in the raincover.

Stretch the rain cover over the seat or carrycot and fix the velcro straps around the seat brackets.

OTHER ACCESSORIES

We frequently develop new accessories for **xari**. For more details please visit www.mimakids.com or contact your retailer.

The following accessories are already available and can be purchased separately:

- Footmuff
- Mosquitonet
- Adapter kit (BeSafe iZi Go, BeSafe iZi Sleep, Cybex Aton, Maxi Cosi Cabrio, Maxi cosi Pebble, Bebe Confort Pebble)
- Parasol
- Changing bag
- Cup holder
- Baby headrest

CARE AND MAINTENANCE

- *To keep **xari** in perfect condition please go through the following steps regularly.*
- *Fabrics and plastics conform to the highest grade of colourfastness. But excessive exposure to the sun can cause premature fading of plastics and fabrics.*

CHASSIS CLEANING

Wash off sand and salt after visiting the beach. Brush off excessive dirt. Then wipe clean with a moist cloth and a mild cleaning agent

LUBRICATING MOVING PARTS

Periodically lubricate the wheels, hinges and other sliding parts using a light oil or silicon spray. Do not use heavy oil as this will attract dust and grit which tend to clog and damage moving parts.

SEAT CLEANING

The rigid seat can be wiped clean with a moist cloth and a mild cleaning agent. More resistant marks can be rubbed away using a pencil eraser.

The seat cushion and shoulder pads can be removed (see **fig. 17**) and must be washed by hand.

Please note the following:

- maximum temperature 30°C / 85°F
- do not bleach
- do not tumble dry
- do not iron
- do not dry clean.

CHECK OTHER PARTS

From time to time check **xari** for loose screws, worn parts, torn material and loose stitching.

Contact your retailer if parts need to be replaced or repair the parts as needed.

WARRANTY

REGISTER YOUR PRODUCT ONLINE AT WWW.MIMAKIDS.COM

This will activate your warranty and help us keep you informed about any possible product updates.

Your product complies with the current safety requirements and is guaranteed to be free from any manufacturing or material defects at the time of purchase.

If this product has any manufacturing and/or material defects after it has been bought and during the warranty period (with normal use as described in the user manual), please contact your supplier.

WARRANTY CONDITIONS

- The warranty is valid for 24 months starting on the date of purchase. This warranty period cannot be extended, even if the product has to be repaired.
- For the warranty to be valid you need to:
 1. Have registered your product online at www.mimakids.com
 2. Provide your supplier with the original receipt.
 3. Provide your supplier with a description of the defect.
- The warranty only covers the original owner of the product and cannot be transferred to any subsequent owner.
- The warranty entitles the owner to have the product repaired but not exchanged or get a refund for such.

The warranty is not valid in the following circumstances:

- The product has been modified or repaired by third parties.
- Corrosion or rust on the wheels and chassis due to extreme environmental conditions, including high humidity, salt spray, ice or snow or due to insufficient maintenance.
- The defect was caused by improper usage or maintenance or due to anything else deemed to be the fault of the user; in particular, failure to comply with the instructions for use as described in the user manual.
- The defect was caused as the result of an accident or airline/ transport damage.
- Normal wear and tear that can be expected with daily use of this product.
- Discoloration or damage to the fabric due to washing, rainwater, or excessive exposure to sunlight.
- The defect is the result of overloading (exceeding the maximum weight allowance for the child and any items being carried).

www.mimakids.com

All rights reserved © Mima International Ltd. 2013