

- Ⓛ Gebrauchsanweisung für Akku-Elektrobürste
- Ⓒ Operating instructions for battery-operated brush
- Ⓝ Gebruiksaanwijzing accuborstel
- Ⓕ Mode d'emploi pour électrobrosse Accu Nova
- Ⓜ Istruzioni d'uso per spazzola elettrica a batteria
- Ⓔ Instrucciones de manejo para el cepillo eléctrico con acumulador
- Ⓟ Instruções de utilização - Escova eléctrica com acumulador
- Ⓘ Οδηγίες χρήσης για την βούρτσα Akku
- Ⓡ Akülü-Elektrikli Fırça
- Ⓝ Bruksanvisning for oppladbar elektrobørste
- Ⓢ Bruksanvisning för batteridrivet motormunstycke
- Ⓕ Käyttöohje - akkutoiminen mattosuutin
- Ⓓ Brugsanvisning til akku-elektrobørste
- Ⓡ Инструкция по эксплуатации электрощетки с аккумулятором
- Ⓟ Instrukcja użytkowania elektroszczotki akumulatrowej

SAB 100 ACCU NOVA

This battery-operated brush complies with all relevant local and national safety requirements. Inappropriate use can, however, lead to personal injury and damage to property. To avoid the risk of accidents and damage to the vacuum cleaner and to the battery-operated brush please read these operating instructions as well as those for the vacuum cleaner carefully before starting to use them. Please keep these instructions in a safe place for reference, and pass them on to any future users.

Correct usage

■ The Miele battery-operated brush is a motor-driven accessory for use with Miele vacuum cleaners only. It must not be used with vacuum cleaners produced by other manufacturers.

■ The battery-operated brush must only be used for household purposes to vacuum and brush **dry** floor surfaces. Do not use on people or animals. Any other use, modification or alteration to it is at the owner's risk and could be dangerous. The manufacturer cannot be held liable for damage resulting from improper or incorrect use.

Technical safety

■ Before using the battery charger for the first time, ensure that the connection data on the plug of the charger (voltage and frequency) match the mains electricity supply. It is essential that they match to avoid damage to the charger.

■ Do not use the battery-operated brush, the battery or the charger if they show any sign of damage. Damaged components could be dangerous.

■ Switch off the vacuum cleaner and the battery-operated brush before carrying out any maintenance work.

■ Only use the original battery supplied with the battery-operated brush to operate it.

■ Only use the original charger supplied with the appliance to charge the battery.

■ The battery must only be charged in a dry, cool place inside the house.

■ The battery should be kept out of direct sunlight, and protected from temperatures of more than 50 °C.

■ Batteries can leak. Battery acid is corrosive and must not come into contact with the eyes. If this does happen it should be flushed out with plenty of fresh water and medical advice sought.

■ When unplugging the charger, pull on the plug and not on the cable.

Do not let the battery-operated brush, the battery or the charger get wet. Clean only with a dry cloth, or a slightly damp cloth to avoid any moisture getting into the appliance, which could lead to the danger of an electric shock.

Keep the battery away from metal components to avoid the risk of a short circuit occurring.

Repairs may only be carried out by a suitably qualified and competent person in strict accordance with current national and local safety regulations. Repairs and other work by unqualified persons could be dangerous. The manufacturer cannot be held liable for unauthorised work.

Ensure current is not supplied to the appliance until after maintenance or repair work has been carried out.

Safety with children

This appliance is not a toy! To avoid the risk of injury do not let children play with the vacuum cleaner or with the battery-operated brush and their controls. Supervise use by older children and the elderly or infirm.

Use

Never touch the roller brush while it is rotating. Danger of injury.

Do not use the battery-operated brush near curtains, clothing etc, as these could be vacuumed in and become entangled in the roller.

Do not vacuum up items which are heavy, hard or have sharp edges.

They could block the battery-operated brush and the vacuum cleaner, and cause damage.

Do not vacuum up ashes or coal, whether glowing or apparently extinguished. The battery-operated brush and the vacuum cleaner might catch fire.

Do not vacuum up any inflammable or combustible liquids or gases and do not vacuum in areas where such substances are stored. Danger of explosion.

Do not vacuum up any water, liquid or damp dirt. Doing so would cause major faults and seriously impair the functioning and electrical safety of the vacuum cleaner and the battery-operated brush. Wait until any freshly cleaned or shampooed carpets or floor coverings are completely dry before attempting to vacuum.

Disposing of old appliances

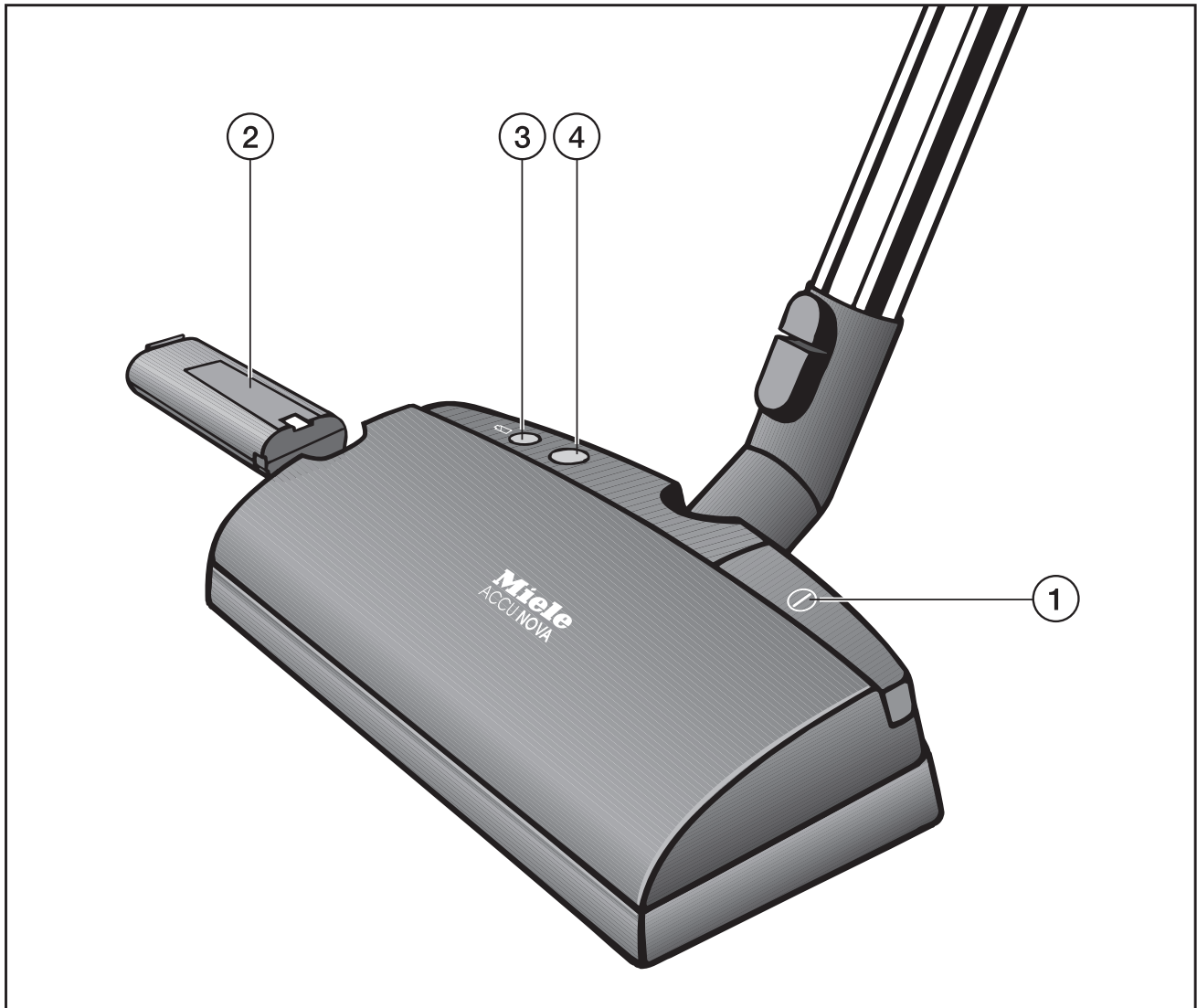
When disposing of an old battery-operated brush, first make it unusable.

Remove the battery, and dispose of it in a responsible manner, e.g. at a recycling centre.

Make appropriate arrangements for the safe disposal of the battery-operated brush and the battery charger.

The manufacturer cannot be held liable for damage caused by non-compliance with these Warning and Safety instructions.

Ⓜ Description of the appliance



- ① On/Off switch
- ② Battery
- ③ Battery indicator light
 - Green: The battery-operated brush is switched on and the battery is charged (Stand by)
 - Red: The battery needs to be charged
- ④ "Operation / Blockage" indicator light
 - Green: The vacuum cleaner is switched on, and the battery-operated brush is in use
 - Red: The brush roller is blocked. See "Problem solving guide".

Features and how the battery-operated brush works

The roller brush is driven by a battery-operated motor inside the floorhead. A special energy-saving and safety feature ensures that the motor can only be switched on when the following conditions are met:

- The vacuum cleaner is switched on.
- The battery-operated brush is being pushed backwards and forwards over a floor surface.

The brush will stop rotating whenever you stop moving the floorhead. The "Operation / Blockage" indicator light will then go out. The brush will start rotating again as soon as you move the floorhead.

The battery-operated brush is very effective at removing deep-seated dirt and preventing areas of frequent use being trodden into a path. Four rollers keep the battery-operated brush 1.5 mm off the floor.

Recommended use

The battery-operated brush is particularly suitable for intensive vacuuming of carpets which are subject to hard wear.

The standard floorhead or one of the Miele floorbrushes should be used for cleaning hard floors, such as tiled or parquet floors.

It is also important to observe the flooring manufacturer's cleaning and care instructions.

The following should not be vacuumed using the battery-operated brush:


- Floor surfaces with heavily textured surfaces or a variable or uneven profile. The battery-operated brush might come into contact with the floor and cause damage.
- Carpets such as saxony with very long-pile, berber and sheepskin rugs, and valuable hand-knotted carpets, e.g. Persian and similar. There is a danger of the threads being pulled out. If in doubt, contact the carpet manufacturer/retailer.

How to use the battery-operated brush

- To achieve the best results, pass the brush slowly backwards and forwards over the carpet or floor.

For rugs and carpets with fringes, always draw the brush from the middle of the rug or carpet across the fringe towards the floor.


Before using for the first time

 The connection data on the plug of the battery charger (voltage and frequency) must match the mains electricity supply.


- The battery operated brush is supplied with the battery fitted. However, before it can be used the battery must be removed and the protective sleeve disposed of!
- Before first use the battery will need to be charged for about 5 hours. Make sure you fit it the right way round.

Subsequent charging takes about 5 hours. The battery only reaches its full capacity of approx. 40 minutes' operational time after several charging sessions.

Maintenance of the battery


 Switch off the vacuum cleaner and the battery-operated brush before carrying out any maintenance work.

Charging the battery

- The battery-operated brush may be used until the battery indicator light  lights up red.


To ensure the battery continues to maintain full charge, it should be allowed to run down completely approx. every 6 months.

The battery charger has 2 displays for checking the charge. At the end of charging, one display will continue to light up red, whilst the other lights up green.

 At the end of charging, disconnect the battery charger from the mains electricity supply, and remove the battery.


- Replace the battery in the battery-operated brush before using the vacuum cleaner again. Make sure you fit it the right way round.

Taking care of the battery

 Batteries can run down. The battery should therefore be removed from the battery-operated brush if it is not going to be used for a while.

The battery will run down by itself if it is not being used. This is intentional, and helps to protect the battery.

Maintenance of the battery-operated brush

 Switch off the vacuum cleaner and the battery-operated brush before carrying out any maintenance work.

Removing threads and hairs

(See diagrams ①, ② and ③ at the end of these operating instructions).

- Cut any threads or hairs that have become entangled in the roller brush with a pair of scissors. There is a groove along the roller to help you.

Then run the vacuum cleaner to vacuum up the bits.

For more obstinate tangles or blockages inside the battery-operated brush, the cover can be opened.

- Loosen the two locking screws on the underside of the brush with a small coin, and take off the roller cover.

The roller brush can now be taken out of its supports and cleaned. The compartment interior can also be cleaned.

When re-fitting the roller brush please note the following (see illustration ④)

There are notches on the supports.

With a new roller brush:

Fit the supports so that the **single** notch points towards the roller cover, (see left hand illustration). The bristles protrude approx. 2 mm. This is important for the brushing effect. When the bristles are slightly worn out:

- Fit the supports so that **two** notches point towards the roller cover, (see right hand illustration).
- Put the roller cover back on and close it, (see illustration ⑤).


- Tighten the locking screws. If the bristles are totally worn out, a replacement roller brush can be purchased through your Miele Dealer or the Spare Parts Dept.

Problem solving guide

If the "Operation / Blockage" indicator light is red the roller brush has become blocked.

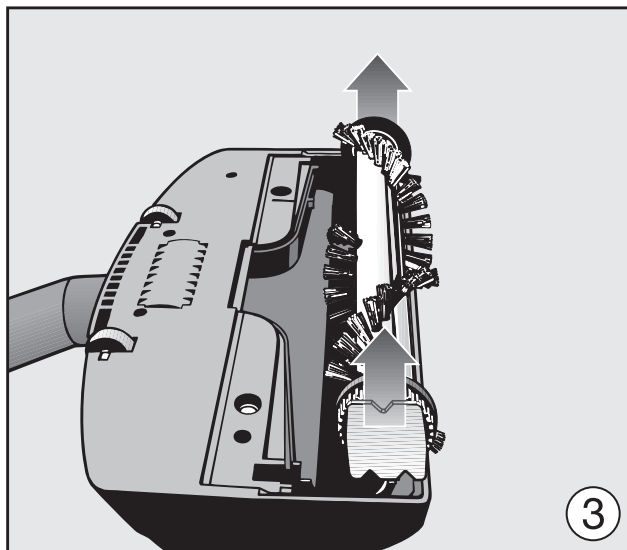
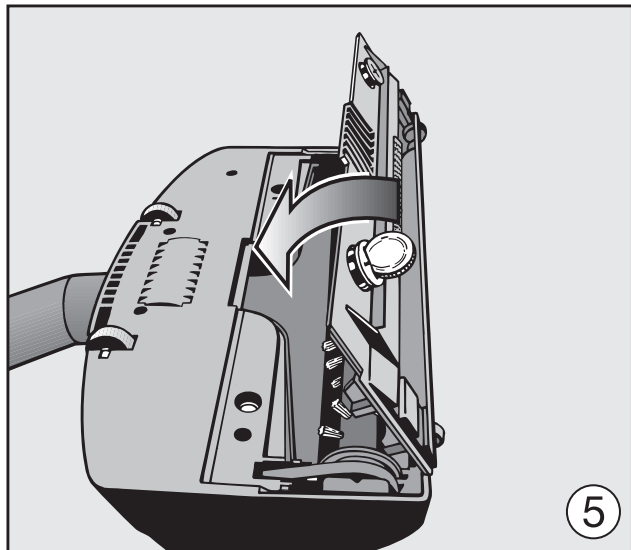
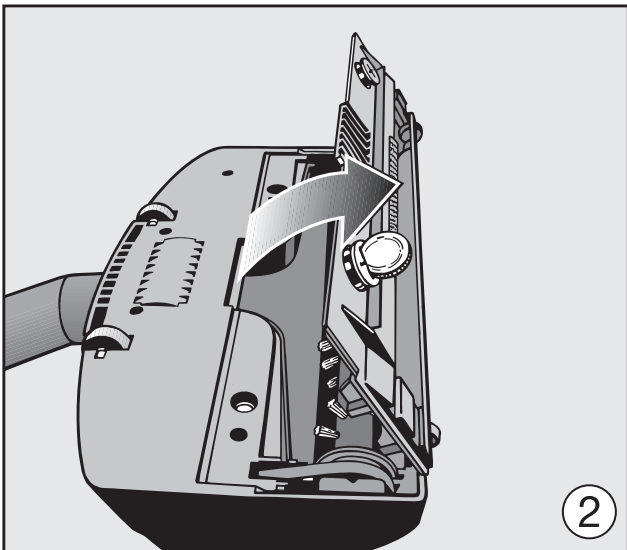
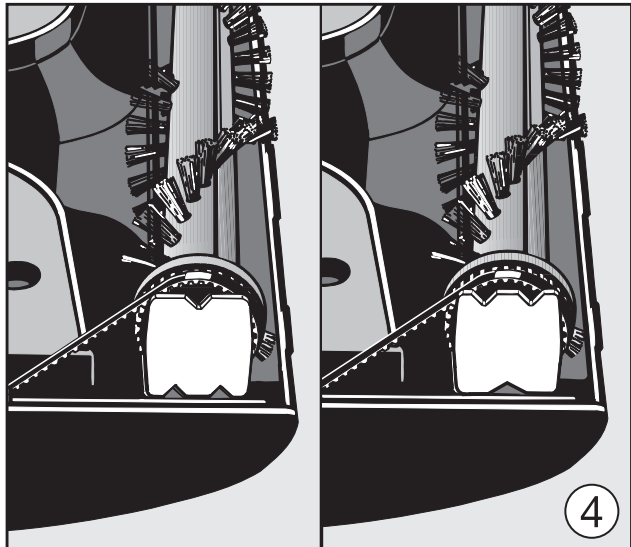
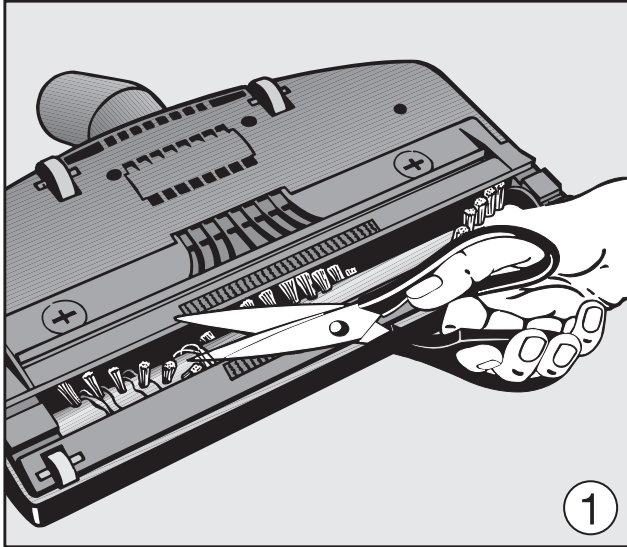
- Switch off the vacuum cleaner and the battery-operated brush immediately.
- Remove the blockage, and switch the vacuum cleaner and the battery-operated brush back on.

Replacement parts

 Only ever use original Miele replacement parts. This will ensure optimum performance of the appliance throughout its life.

If you require a new battery, only purchase an original Miele battery (type ACCU NOVA A).

Spare parts are available from your Miele dealer or from the Miele Spare Parts Department.





Miele & Cie. KG
D-33325 Gütersloh
Telefon (0 52 41) 89-0
Telefax (0 52 41) 89-20 90
Miele im Internet: www.miele.de