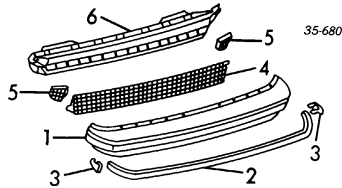


*Included w/License Lamp Assy

REAR BUMPER

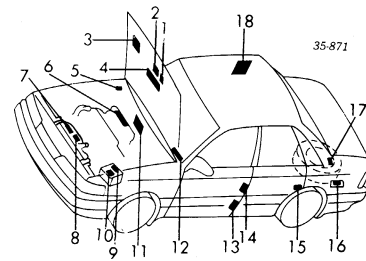


- 1 **Face Bar (Cover)**
DX Model, LX Model G116-50-221
GT Model (P) G137-50-221
(P) Paint to Match
- 2 **Moulding, Cover**
Black G117-50-235
Red G118-50-235
- 3 **Piece, End Moulding**
Black G114-50-058A
Red G118-50-058A
- 4 **Absorber, Impact**
Center G032-50-291
5 Outer R/L G032-50-292-3
- 6 **Bar, Reinforcement Screw, Face Bar (19)** G116-50-215

MAZDA 626 1988-92

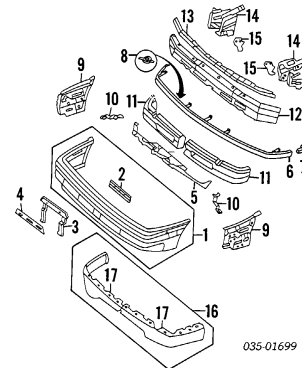
SECTION INDEX

A/C/HEATER.....	144
A/C REFRIGERANT CAPACITIES.....	144
ABS/BRAKES.....	145
AIR CLEANER.....	143
BACK WINDOW.....	152
CENTER CONSOLE.....	148
CLEAR COAT IDENTIFICATION.....	141
COOLING.....	142
COWL & DASH.....	148
CRUISE CONTROL SYSTEM.....	145
ELECTRICAL.....	142
EMISSION SYSTEM.....	142
ENGINE.....	143
ENGINE MOUNTS.....	143
EXHAUST.....	143
FRONT BUMPER.....	141
FRONT DOOR.....	149
FRONT DRIVE AXLE.....	146
FRONT FENDER.....	144
FRONT INNER STRUCTURE.....	145
FRONT LAMPS.....	142
FRONT SEAT.....	149
FRONT STEERING LINKAGE/GEAR.....	146
FRONT SUSPENSION.....	145
FUEL TANK.....	154
GRILLE.....	142
HOOD.....	144
INFORMATION LABELS.....	141
INSTRUMENT PANEL.....	148
INTERCOOLER.....	143
LIFTGATE.....	153
LUGGAGE LID.....	153
PAINT CODE LOCATION.....	141
QUARTER GLASS.....	153
QUARTER PANEL.....	152
REAR BODY.....	154
REAR BUMPER.....	156
REAR DOOR.....	150
REAR LAMPS.....	155
REAR SEAT.....	149
REAR STEERING LINKAGE/GEAR.....	154
REAR SUSPENSION.....	154
ROCKER/PILLARS/FLOOR.....	148
ROOF.....	151
SEAT BELTS.....	149
STEERING PUMP.....	147
STEERING WHEEL/COLUMN.....	147
SUNROOF.....	151
TURBOCHARGER.....	143
UNDERHOOD DIMENSIONS.....	144
WHEEL.....	145
WINDSHIELD.....	147



- 9 **Battery**† FA03-69-064A
- 10 **Battery**† FA01-69-064B
- †Order by Application
- 11 **Model Plate** S047-68-425A
- 12 **Plate Caution**
USA Built GJ51-69-068A
Japan Built GJ21-69-068A
- 13 **Tire**
w/Turbo 1988-89
To 8-1-88 GN64-69-014A
From 8-1-88 GJ26-69-014
1990-92
2WS GN64-69-014A
4WS GJ26-69-014
w/o Turbo GJ21-69-014A
- 14 **Caution** 88-89 DX01-69-A16B
90-92 NA01-69-C11A
BA06-72-301
- 15 **Child Proof** BA06-72-301
- 16 **Gasoline** 88-89 UB40-69-C61
90-92 UB40-69-C61
88-89 GL02-69-073
90-92 GL01-69-073
- 17 **Temporary Tire**
- 18 **Fuel Economy** N.A.
Canada N.A.

FRONT BUMPER



- 1 **Cover Assy, Front**
1988-89 (P) GJ31-50-030
DX Model LX, Turbo, 4WS G230-50-030
1990-92
Body Color/Black (P) G230-50-030
(P) Paint to Match
- 2 **Brkt, License**† H005-50-060
†Included w/Front Cover Assy
- 3 **Frame, License** GJ21-50-180
- 4 **Holder, License** GJ21-50-183
- 5 **Cover, Under** GJ21-50-060A
- 6 **Moulding Set, Below Grille** 8A31-50-F50
- 7 **Protector, Mldg End (a)** R G225-50-F53A
L G225-50-F54A
- 8 **Clip, Moulding (a)** R/L G225-50-F56A
(a) Included w/Below Grille Moulding Set
- 9 **Slide, Support** R/L G230-50-056-7
- 10 **Bracket, Side** R/L GJ21-50-150
- 11 **Absorber, Impact** R GJ21-50-111
L GJ21-50-112
- 12 **Bar, Reinforcement** GJY0-50-07X
- 13 **Reinforcement, Upper** G230-50-072
- 14 **Stay, Support** R GJ21-50-080B
L GJ21-50-080C
- 15 **Cover, Stay** R/L GJ21-50-089
- 16 **Panel Assy, Valance** 8A61-51-9H0
- 17 **Panel, Valance (b)** R GJ23-51-9K1
L GJ23-51-9L1
(b) Included w/Valance Panel Assy
- Plate, Baffle**
USA Built R GN51-43-67X

PAINT CODE LOCATION

Paint code located on right side of cowl panel or left lock pillar.

CLEAR COAT IDENTIFICATION

All metallic colors and White (Code VC) are clear coat.

INFORMATION LABELS

Illustration Located in Next Column

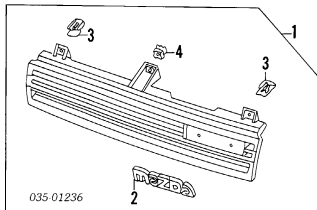
- 1 **Caution**† GNS7-61-439
- 2 **Oil**† 88-89 GJ21-69-D21A
90-92 GJ22-69-D21D
GJ21-69-036
- 3 **Emission**†
†Order by Application
- 4 **Belt Caution** GJ21-69-079A
- 5 **Cover, Hole** 88-89 GJ21-69-079A
90-92 S047-68-425A
- 6 **Logo**
w/Turbo F220-13-309B
w/o Turbo F201-13-309B
F203-15-201
- 7 **Plate, Caution** AL01-15-031A
- 8 **Caution**†

MAZDA 626 1988-92

FRONT BUMPER Cont'd

- | | |
|---------------------|------------------|
| Japan Built | L GN51-43-68X |
| Tape, Bumper Stripe | R GJ21-43-67XB |
| | L GJ21-43-68XB |
| | R GN51-50-032-5G |
| | L GN51-50-039-5G |

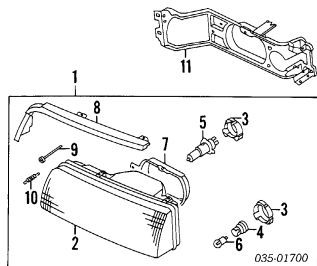
GRILLE



- | | |
|--------------------------|-------------------------|
| 1 Grille Assy
1988-89 | |
| Argent | G225-50-710A |
| Black | GJ29-50-710 |
| 1990-92 | GN51-50-710A |
| 2 Nameplate† | B300-51-771 |
| 3 Clip, Attaching† (4) | B092-50-715 |
| 4 Grommet, Screw† | G043-51-964 |
| | †Included w/Grille Assy |

FRONT LAMPS

COMBINATION LAMP

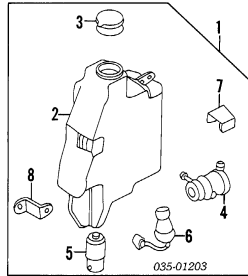


- | | |
|--------------------------|-----------------------------------|
| 1 Lamp Assy, Combination | R 88GE-51-030A |
| | L 88GE-51-040A |
| 2 Headlamp Unit† | R GJ21-51-0K0C |
| | L GJ21-51-0L0C |
| 3 Holder, Bulb† (a) | |
| (3/Side) | R/L GJ21-51-0A3 |
| 4 Socket w/Wire† (a) | R/L GJ21-51-0B4B |
| 5 Bulb, Headlamp† (a) | R/L 0000-11-9004-90 |
| 6 Bulb, Park/Signal† (a) | R/L 0000-11-0089 |
| | †Included w/Headlamp Unit |
| 7 Ring, Mounting† | R GJ21-51-032A |
| | L GJ21-51-042A |
| 8 Moulding, Headlamp† | R GJ37-51-0A9 |
| | L GJ37-51-0B9 |
| 9 Screw, Adjust† | R/L GJ21-51-047A |
| Vertical | R/L GJ21-51-037A |
| Horizontal | R/L GJ21-51-036 |
| 10 Spring, Adjust† | |
| | †Included w/Combination Lamp Assy |
| 11 Housing | R GJ37-51-035B |
| | L GJ37-51-045B |

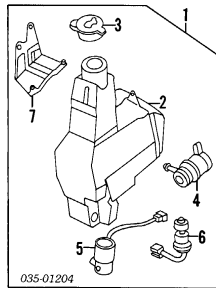
HEADLAMP WASHER 2WS

Illustration Located in Next Column

- | | |
|---------------------|-----------------------|
| 1 Tank Assy | GJ21-51-810C |
| 2 Tank† | GJ21-51-812B |
| 3 Cap, Tank† | GJ21-67-483 |
| 4 Pump Kit† | GJ21-51-811 |
| 5 Pump, Washer† | GJ22-67-482 |
| 6 Switch, Level† | 88-89 G239-67-488 |
| | 90-92 GJ26-67-488 |
| 7 Brkt, Tank Upper† | GJ23-67-485 |
| 8 Brkt, Tank Lower† | GJ22-67-485 |
| | †Included w/Tank Assy |
| Nozzle, Spray | 88-89 R/L GJ37-51-820 |
| | 90-92 R/L GJ21-51-820 |

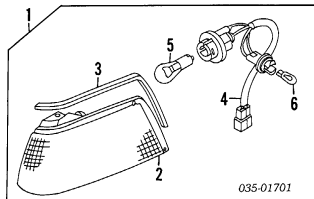


HEADLAMP WASHER 4WS



- | | |
|------------------|-----------------------|
| 1 Tank Assy | GM39-51-810B |
| 2 Tank† | GM39-51-812A |
| 3 Cap, Tank† | G238-67-483 |
| 4 Pump Kit† | GM39-51-811 |
| 5 Pump, Washer† | G238-67-482 |
| 6 Switch, Level† | G239-67-488 |
| 7 Bracket, Tank† | G238-67-485 |
| | †Included w/Tank Assy |
| Nozzle, Spray | 88-89 R/L GJ37-51-820 |
| | 90-92 R/L GJ21-51-820 |

PARK/SIGNAL LAMP

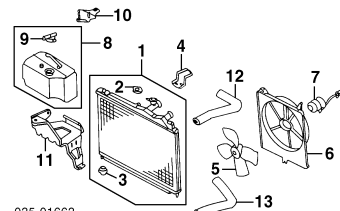


- | | |
|--------------------------|-----------------------------------|
| 1 Lamp Assy, Park/Signal | R 88G1-51-060 |
| | L 88G1-51-070 |
| 2 Lens & Housing† | R GJ37-51-061B |
| | L GJ37-51-071B |
| 3 Seal, Body† | R G225-51-065 |
| | L G225-51-075 |
| 4 Socket & Wire† | R/L GJ37-51-064A |
| 5 Bulb, Park/Signal† | R/L 0000-11-1157-NA |
| 6 Bulb, Side Marker† | R/L 0000-11-0168 |
| | †Included w/Park/Signal Lamp Assy |

COOLING

Illustration Located in Next Column

- | | |
|-----------------|--------------|
| 1 Radiator Assy | |
| 1988-89 | |
| Man Trans | F220-15-200B |
| w/Turbo | F201-15-200B |
| w/o Turbo | |
| Auto Trans | |
| w/Turbo | F221-15-200D |
| w/o Turbo | F202-15-200D |
| 1990-92 | |
| Man Trans | |
| w/Turbo | |



035-01663

- | | |
|-------------------------------|---|
| USA Built | F292-15-200 |
| Japan Built | F296-15-200 |
| w/o Turbo | |
| USA Built | F294-15-200 |
| Japan Built | F294-15-200 |
| Auto Trans | |
| w/Turbo | |
| USA Built | F293-15-200 |
| Japan Built | FEAP-15-200 |
| w/o Turbo | F295-15-200A |
| Cap, Radiator† | D316-15-205 |
| 3 Mount, Radiator Lower† (a) | R/L F202-15-202B |
| | †Included w/Radiator Assy |
| (a) Order by Application | |
| 4 Bracket, Upper | R/L F201-15-240A |
| 5 Blade, Fan | |
| Man Trans | F201-15-140 |
| Auto Trans | |
| w/Turbo | PN15-15-140 |
| w/o Turbo | FE69-15-140 |
| 6 Shroud, Fan | |
| Man Trans | F203-15-210A |
| Auto Trans | F204-15-210B |
| 7 Motor, Fan | |
| Man Trans | |
| USA Built | F201-15-150A |
| To 12-22-89 | AL01-15-150 |
| From 12-22-89 | F201-15-150A |
| Japan Built | |
| Auto Trans | |
| w/Turbo | F277-15-150A |
| w/o Turbo | 88-89 F201-15-150A |
| | 90-92 F202-15-150A |
| 8 Tank Assy, Coolant Recovery | |
| 2WS | F201-15-350B |
| 4WS | FE4N-15-350A |
| 9 Cap, Tank (b) | |
| 2WS | F201-15-355 |
| 4WS | FE4N-15-355 |
| | (b) Included w/Coolant Recovery Tank Assy |
| 10 Nozzle, Spray | |
| 2WS | F201-15-391 |
| 4WS | FE4N-15-391 |
| 11 Brkt, Tank Lower | F201-15-370A |
| 12 Hose, Rad Upper | |
| Man Trans | F220-15-186 |
| w/Turbo | F202-15-186 |
| w/o Turbo | F202-15-186 |
| Auto Trans | F201-15-185A |
| 13 Hose, Rad Lower | 8AK1-15-010A |
| Pump, Water | |

EMISSION SYSTEM

- | | |
|--------------------|--------------------|
| Valve, EGR | |
| w/Turbo | F2Y7-20-300A |
| w/o Turbo | |
| 1988-89 | F201-20-300A |
| 1990-92 | F201-20-300A |
| w/o Calif Emission | F203-20-300B |
| w/Calif Emission | |
| Gasket, EGR | |
| w/Turbo | FEH5-20-305 |
| w/o Turbo | |
| Man Trans | E331-20-305B |
| Auto Trans | E563-20-305 |
| Valve, Thermo | 8662-13-980 |
| Canister, Vapor | 88-89 F201-13-970B |
| | 90-92 F296-13-970A |
| Bracket, Canister | F201-13-960A |

ELECTRICAL

HORN

- | | |
|-----------|--------------|
| Horn | |
| High Note | FB03-66-780A |
| Low Note | FB03-66-790A |

IGNITION/FUEL

- | | |
|-----------------------|-----------------------|
| Cap, Distributor | |
| w/Turbo | F220-18-V00A-9U |
| w/o Turbo | B616-18-V00-9U |
| Relay Unit, Central† | |
| DX Model | GJ21-67-580 |
| LX, Turbo Model | GJ24-67-580A |
| Module, Main Control† | ZFA3-15-881R |
| | †Order by Application |
| Block, Main Fuse | |
| 1988-89 | GJ21-66-760C |
| 1990-92 | |

MAZDA 626 1988-92

Man Trans	GN51-66-760A
Auto Trans	
w/Turbo	GN56-66-760
w/o Turbo	GN51-66-760A
Bracket, Main Fuse Block	GJ21-67-960D

ALTERNATOR

Alternator Assy [†] (a)	F8B1-18-300R-00
[†] Remanufactured Part. Contact Dealer for Core Charge & Exchange Information	
(a) Order by Application	
Pulley, Alternator (b)	
1988-89	F8B1-18-W11
1990-92	F202-18-W11
(b) Included w/Alternator Assy	
Bracket, Lower	F201-18-371
Bracket, Adjusting	F201-18-361
Belt, Alternator	88-89 F201-18-381A-9U 90-92 F2F6-18-381-9U

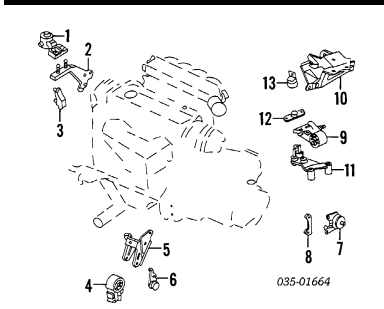
BATTERY

Battery [†]	0000-80-026R-WB
[†] Order by Application	
Cable, Battery-Serviced w/Wiring Harness	

ENGINE

Pulley, Crankshaft	88-89 F202-11-401 90-92 F202-11-401
Pulley, Crankshaft Timing	FE1H-11-321
Cover, Upper Timing	F210-10-510
Cover, Lower Timing	FE4R-10-500C
Pan, Eng Oil	FE3N-10-400B
Gasket, Eng Oil Pan	F801-10-431
Sealant, Eng Oil Pan Gasket	8527-77-739
Fuel Pump-See Fuel Tank Section	

ENGINE MOUNTS

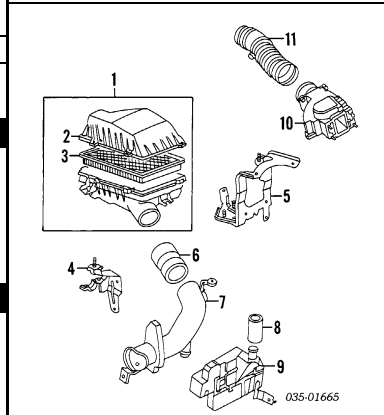


1 Mount, Engine Right	
Man Trans	GJ26-39-060E
w/Turbo	GJ27-39-060E
Auto Trans	GJ27-39-060E
2 Brkt, Right Mount	88-89 GJ51-39-030G 90-92 GJ51-39-030A
3 Protector, Rubber Mtg	GJ21-39-999A
1988-89	
1990-92-Not Serviced	
4 Mount, Front	
Man Trans	GJ21-39-050B
1988-89	
1990-92	GJ21-39-050B
w/Turbo	M001-39-050
Auto Trans	GJ23-39-050C
5 Bracket, Front Mount	
Man Trans	GJ25-39-020
w/Turbo	GJ21-39-020C
w/o Turbo	88-89 GJ21-39-020C 90-92 M001-39-020
6 Damper, Vibration	
Man Trans	GJ21-39-02XA
w/o Turbo	
7 Mount, Trans Left	
Man Trans	GJ25-39-040B
w/Turbo	88-89 GJ21-39-040A 90-92 M001-39-040
Auto Trans	
w/Turbo	GJ26-39-040E
w/o Turbo	88 GJ23-39-040C 89-92 M002-39-040B
8 Bracket, Mount	
Man Trans	GJ25-39-04XB
w/Turbo	
1988-89	GJ21-39-04XC
1990-92-Not Serviced	
9 Mount, Trans Upper	
Man Trans	GJ25-39-070C
w/Turbo	GJ21-39-070D
Auto Trans	GJ23-39-070C
10 Bracket, Upper Mounting	1988-89 M001-39-080

1990-92	M001-39-080
w/Turbo	M001-39-080
w/o Turbo	
11 Bracket, Lower Mounting	
Man Trans	GJ21-39-090A
w/o Turbo	
12 Damper, Vibration	
Man Trans	GJ21-39-07Y
w/o Turbo	
13 Damper, Vibration	
Man Trans	GJ21-39-08X
w/o Turbo	
Xmbr, Eng-See Rocker/Pillars/Floor Section	

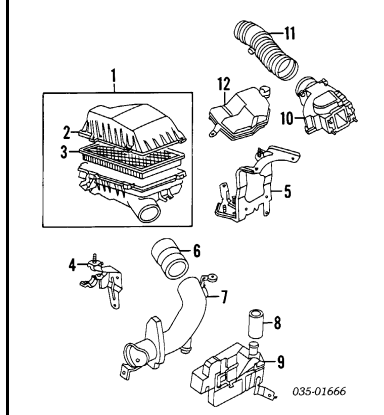
AIR CLEANER

W/TURBO



1 Cleaner Assy, Air	F220-13-320F
2 Cover, Air Cleaner [†]	F220-13-Z01A
3 Element, Filter [†]	AS01-13-Z40-9U
[†] Included w/Air Cleaner Assy	
4 Bracket, Cleaner Right	F201-20-210C
5 Bracket, Cleaner Left	F201-20-220D
USA Built	
Japan Built	F201-20-220D
To 7-1-90	FEHH-20-220
From 7-1-90	F201-13-206
6 Hose, Air	F220-13-20XB
7 Duct, Fresh Air	F201-13-207
8 Hose, Resonance	88-89 F201-13-19XE 90-92 F285-13-19XC
9 Chamber, Resonance	
10 Meter, Air Flow	F201-13-210R-00
11 Hose, Intake Air	
1988-90	F220-13-221B
1990-92	
Man Trans	F220-13-221B
Auto Trans	F221-13-221B

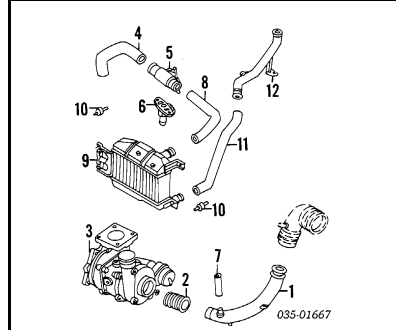
W/O TURBO



1 Cleaner Assy, Air	
USA Built	F220-13-320F
Japan Built	F201-13-320D
2 Cover, Air Cleaner [†]	F292-13-Z01
USA Built	F220-13-Z01A
Japan Built	AS01-13-Z40-9U
3 Element, Filter [†]	

[†] Included w/Air Cleaner Assy	
4 Bracket, Cleaner Right	F201-20-210C
5 Bracket, Cleaner Left	F201-20-220D
1988-90	
1991-92	F201-20-220D
USA Built	FEHH-20-220
Japan Built	F201-13-206
6 Hose, Air	
7 Duct, Fresh Air	
1988-89	F201-13-20XA
1990-92	F201-13-20XA
USA Built	F285-13-207
Japan Built	F201-13-20X
8 Hose, Resonance	F201-13-20E
9 Chamber, Resonance	88-89 F201-13-19XE 90-92 F285-13-19XC
10 Meter, Air Flow	F201-13-210R-00
11 Hose, Intake	F201-13-221B
12 Resonator, Intake	F202-13-195B

INTERCOOLER

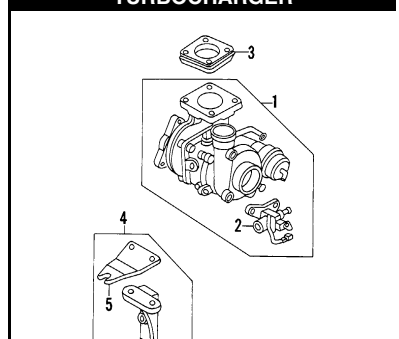


1 Pipe, Air	F220-13-331B
2 Joint, Rubber	F220-13-224A
3 Turbocharger Assy-See Turbocharger Section	
4 Hose, Intake Air	F220-13-222A
5 Pipe, Air	F220-13-230A
6 Valve, Air By-Pass	F220-20-250B
7 Hose, By-Pass Air	F220-13-751A
8 Hose, Intake Air	F220-13-225A
9 Intercooler	F220-13-566C
10 Insulator, Mounting (4)	F220-13-363
11 Hose, Intake Air	F220-13-223A
12 Pipe, Air	
Man Trans	F220-13-360C
Auto Trans	F220-13-360C

EXHAUST

Manifold, Exhaust	
w/Turbo	F220-13-450C
w/o Turbo	F202-13-450
Insulator, Exhaust	
w/Turbo	F287-13-390A
w/o Turbo	F285-13-390A
Pipe, Front Exhaust [†]	F201-40-500
Converter, Catalytic [†]	F2Y2-20-600
Pre-Silencer [†]	FEH7-40-300D
Pipe, Middle [†]	F213-40-600A
Muffler, Main [†]	F203-40-100F
[†] Order by Application	

TURBOCHARGER



1 Turbocharger Assy	F220-13-700B
2 Valve, Solenoid [†]	F220-20-285A
[†] Included w/Turbocharger Assy	
3 Gasket	F220-13-710B

MAZDA 626 1988-92

TURBOCHARGER Cont'd

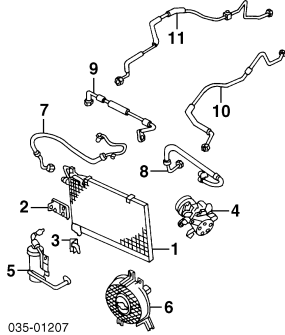
- 4 Bracket Assy F220-13-520B
- 5 Bracket, Plate F220-13-522A

A/C REFRIGERANT CAPACITIES

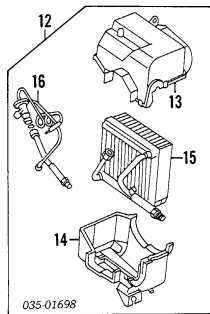
A/C R-12 Refrigerant Capacity
 1988-90: 34-37 Ozs (2.12-2.31 Lbs)
 1991-92: 32 Ozs (2.0 Lbs)

A/C /HEATER

AIR CONDITIONING



- 1 Condenser GJ51-61-480B
- 2 Bracket, Upper GJ51-61-483
- 3 Bracket, Lower GJ51-61-484
- 4 Compressor Assy GJ51-61-450B
- Clutch Assy (a) GJ51-61-L10
- (a) Included w/Compressor Assy
- Pulley, Clutch (b) GJ51-61-L12
- (b) Included w/Clutch Assy
- Belt, Compressor F230-15-909
- 5 Receiver/Drier GJ51-61-500D
- w/Turbo GJ54-61-500A
- 6 Fan, Condenser M001-61-710B
- Man Trans GNS52-61-710A
- Auto Trans GJ51-61-461B
- 7 Hose, Discharge GJ51-61-462A
- 8 Hose, Suction GP34-61-462A
- 9 Man Trans
- Auto Trans
- 10 Pipe to Compressor GJ51-61-465
- 11 Pipe to Drier GJ51-61-464

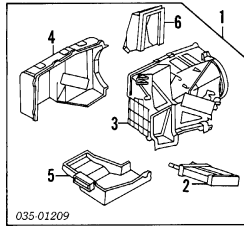


- 12 Evaporator Assy GJ51-61-520D
- 13 Case, Evaporator (c) GJ51-61-J01
- 14 Case, Evaporator Lower (c) GJ51-61-J02
- 15 Core, Evaporator (c) GJ51-61-J10B
- 16 Valve, Expansion (c) GJ51-61-J14

HEATER

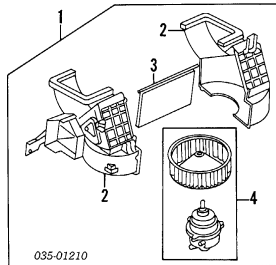
- 1 Heater Assy

Illustration Located in Next Column



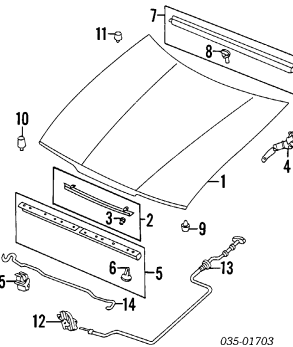
- USA Built 88-89 GJ51-61-130C
- 90-92 GN81-61-130A
- Japan Built GJ21-61-130D
- 2 Core, Heater GJ21-61-A10
- 3 Case, Inner GJ51-61-A01
- USA Built GJ21-61-A01
- Japan Built GJ51-61-A01
- 4 Case, Outer GJ51-61-A02
- USA Built GJ21-61-A02
- Japan Built GJ21-61-A02
- 5 Case, Lower GJ21-61-A03
- 6 Case, Upper GJ21-61-A04

BLOWER



- 1 Blower Assy, Heater (a) GJ83-61-140C
- (a) Order by Application
- 2 Case, Heat R GJ21-61-B02A
- L GJ21-61-B01A
- 3 Door, Blower Flap GJ21-61-B05
- 4 Fan & Motor 88-89 GJY1-61-B10
- 90-92 GJY1-61-B10

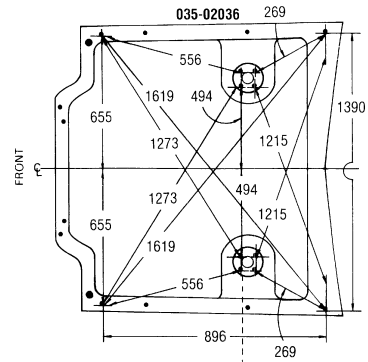
HOOD



- 1 Hood GJY1-52-310A
- 2 Moulding Assy, Front Hood 8AG1-50-411
- 3 Grommet, Screw (a) B215-61-905
- (a) Included w/Front Hood Moulding Assy
- 4 Hinge, Hood R GJ21-52-410B
- L GJ21-52-420B
- 5 Seal Assy, Front Hood GJ21-56-750B
- 6 Clip, Front Seal (b) 9926-40-531B
- (b) Included w/Front Hood Seal Assy
- 7 Seal Assy, Cowl GJ21-55-760
- 8 Clip, Cowl Seal (c) G031-58-762
- (c) Included w/Cowl Seal Assy
- 9 Bumper, Hood Cushion (4) B092-62-877
- 10 Cushion, Front Side Body R/L FB01-56-787B

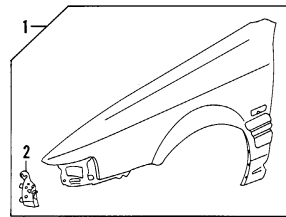
- 11 Cushion, Rear Side Body R/L FB01-56-788
- 12 Lock, Hood w/Theft Deterrent GJ22-56-620D
- w/o Theft Deterrent GJ21-56-620C
- 13 Cable, Release GJ21-56-720B
- GJ21-56-630A
- 14 Red, Hood Stay G030-56-633A
- 15 Clip, Hood Stay GJ21-68-601A
- Insulator, Hood

UNDERHOOD DIMENSIONS



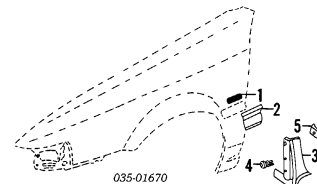
FRONT FENDER

SHEET METAL



- 1 Fender Assy R GJY7-52-110A
- L GJY7-52-210A
- 2 Bracket, Lamp R G213-52-180
- L G213-52-280
- (a) Included w/Fender Assy
- 3 Shield Assy, Splash R G211-56-130B
- L G211-56-140B
- 4 Clip, Splash Shield (a) R/L 8173-56-135
- (a) Included w/Splash Shield Assy

EXTERIOR TRIM



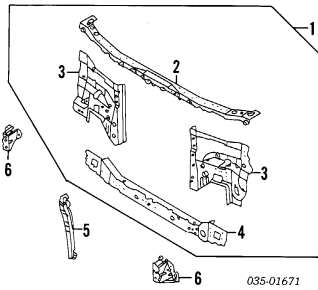
- 1 Nameplate (Decal) R/L G717-51-761
- "DX" R/L GJ21-51-761
- "LX" R/L GJ25-51-761
- "GT" R/L GJ25-51-761
- 2 Moulding, Side Adhesive 1988-89 R GN81-50-681
- L GN81-50-691

MAZDA 626 1988-92

1990-92 USA Built	R GN81-50-681 L GN81-50-691
Japan Built Black	R G212-50-681 L G212-50-691
Body Color†	R G243-50-681-04 L G243-50-691-04
†Black/Silver listed, Order by Application UC Crystal White/Silver; PZ Brilliant Black/Silver; SQ Blaze Red/Silver; 6L Gracelul Red/Silver; NU Vintage Red/Silver; 6S Exceed Green/Silver; 5N Brave Blue/Silver; 1H Steel Gray/Silver; 3L Silver Stone M/Silver	
3 Mudguard	R G211-51-840 L G211-51-850
4 Rivet (2/Side)	R/L B092-51-833
5 Grommet	R/L G030-51-852
Tray, Battery	BG62-56-032A
Support, Tray	GJ21-56-040A
Clamp, Battery Hold-Down	GJ21-56-03XA
Bolt, Clamp	
Front	O259-54-292A
Rear	0613-65-857A

FRONT INNER STRUCTURE

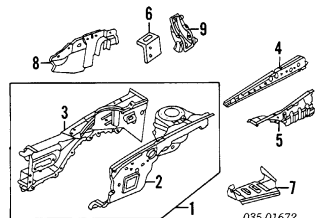
FRONT



035-01671

1 Support Assy, Radiator	USA Built To 12-4-89 From 12-4-89	GJ21-53-100K GN98-53-100
2 Bar, Upper Tie†	Japan Built 1988-89 1990-92	GJ21-53-150C
3 Panel, Side†	USA Built Japan Built USA Built To 12-4-89	R GJ21-53-120E L GJ21-54-120D R GN98-53-120 L GN98-54-120 R GJ21-53-120E L GJ21-54-120D
4 Bar, Lower Tie†	USA Built To 12-4-89 From 12-4-89 Japan Built	GJ21-53-16XD GN98-53-16X GJ21-53-16XD
†Included w/Radiator Support Assy		
5 Support, Latch	GJ21-56-220B	
6 Bracket, Lamp	R GJ21-52-140A L GJ21-52-240A	

SIDE

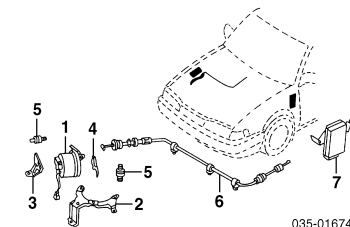


035-01672

1 Apron Assy	R GJ22-53-200 L GJ22-54-200
2 Panel, Apron†	R GJ22-53-210F L GJ22-54-210E
3 Frame, Side†	USA Built To 11-3-89
	R GJ21-53-300R L GJ21-54-300P
	R GJ21-53-300R L GJ21-54-300P

Japan Built	R GJ21-53-300R L GJ21-54-300P
†Included w/Apron Assy	
4 Reinf, Upper Apron	R GJ21-53-281D L GJ21-54-281D
5 Reinf, Lower Apron	R GJ21-53-291A L GJ21-54-291A
6 Brkt, Hinge Stop	R GJ21-53-575B L GJ21-54-575B
7 Plate, Apron Seal	R/L G217-56-381A
8 Guard, Splash	
1989-89 w/Turbo	R GJ21-56-330D
Man Trans	L GJ21-56-341A
Auto Trans	R GJ21-56-330D L GJ21-56-341A
w/o Turbo	R GJ21-56-330D L GJ21-56-341A
1990-92 USA Built w/Turbo	R GJ21-56-330D
To 12-4-89	L GJ27-56-341A
From 12-4-89	R GN98-56-330 L GJ27-56-341A
w/o Turbo	R GJ21-56-330D L GJ21-56-341A
Japan Built	R GJ21-56-330D L GJ27-56-341A
9 Bracket, Engine Mount	M001-53-370A

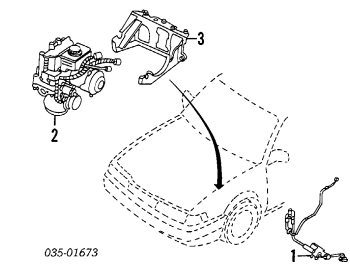
CRUISE CONTROL SYSTEM



035-01674

1 Actuator, Cruise	w/Turbo w/o Turbo	GN55-66-310C GN51-66-312
2 Brkt, Actuator Mtg		GJ21-66-31Y
3 Brkt, Actuator Front		GN51-66-3A1B
4 Brkt, Actuator Rear		GN51-66-3A8B
5 Mount, Rubber (3)		F289-13-363
6 Cable, Cruise	w/Turbo w/o Turbo	GN55-66-311 GJ21-66-311B
7 Control Unit, Cruise	w/Turbo w/o Turbo	GN55-66-320 GN51-66-320

ABS/BRAKES

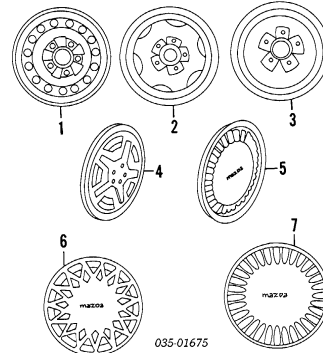


035-01673

1 Sensor, ABS Wheel		
See Front or Rear Suspension Section		
2 Actuator, ABS	USA Built	
	To 10-2-91	KA11-43-7A0C
	From 10-2-91	GN90-43-7A0C
	Japan Built	GJ55-43-7A0C
3 Brkt, Actuator	USA Built	
	To 10-2-91	GJ55-43-310B
	From 10-2-91	GN90-43-310A
	Japan Built	GJ55-43-310B

WHEEL

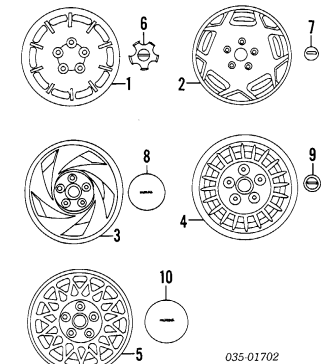
STEEL WHEEL



035-01675

Wheel, Steel		
1 Black		9965-84-5540
2 Silver		9965-86-554
3 Wheel, Spare		9965-10-4050
Cover, Wheel		
1988-89	w/Hub Nut Holes	G214-37-170B
	w/o Hub Nut Holes	GJ25-37-170
1990-92	Type A	GN51-37-170A
	Type B	GJ29-37-170
7 Stem, Valve		9963-60-4130

ALUMINUM WHEEL



035-01702

Wheel Assy, Aluminum		
1 Style 1		88G1-37-600
2 Style 2		8DG8-37-600
3 Style 3†	R	8DG3-37-600
	L	8DG4-37-600
4 Style 4		88GU-37-600
5 Style 5		8DG9-37-600
†Silver listed, Order by Application		
6 Cap, Center (a)		
7 Style 1		G213-37-191A
7 Style 2		B004-37-192
8 Style 3†		GJ23-37-191A
8 Style 4		H115-37-192
10 Style 5		
	USA Built	GN82-37-191A
	Japan Built	GN52-37-191A
†Silver listed, Order by Application		
Stem, Valve (a)		9963-60-4130
(a) Included w/Wheel Assy		
Wheel, Spare		9965-10-4050

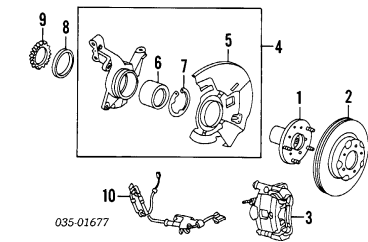
FRONT SUSPENSION

Illustration Located in Next Column

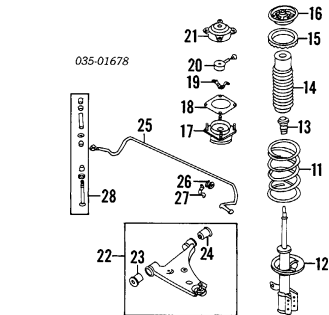
1 Hub		
2 Wheel Disc Brakes	R/L	GJ51-33-060A
4 Wheel Disc Brakes	R/L	GJ55-33-060A

MAZDA 626 1988-92

FRONT SUSPENSION Cont'd



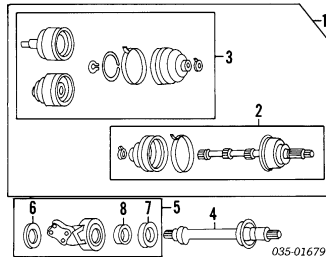
- 2 Rotor, Brake R/L GJ55-33-25XD
- 3 Caliper, Brake 88-89 R G2Y5-33-98ZR
L G2Y5-33-99ZR
90-92 R/L G2Y5-33-98ZR
- Hose, Brake†
†Order by Application
- 4 Knuckle Assy w/ABS R GJ56-33-020E
L GJ56-33-030E
w/o ABS R GJ51-33-020F
L GJ51-33-030F
- 5 Shield, Splash (a) R GJ51-33-261A
L GJ51-33-271A
- 6 Bearing (a) R/L H266-26-151-MV
- 7 Circlip (a) R/L H266-26-139
(a) Included w/Knuckle Assy
- 8 Seal, Bearing R/L G304-33-065
- 9 Rotor, Sensor R GJ26-33-471A
- 10 Sensor, ABS Wheel R GJ26-43-70XA
L G09A-43-73XB



- 11 Spring† R/L GM74-34-011A
†Order by Application
- 12 Strut† w/AAS R GJ22-34-700E-9U
L GJ22-34-900E-9U
w/o AAS R G211-34-700H-9U
L G211-34-900H-9U
- 13 Bumper, Stopper 2WS R/L KA11-34-111A
w/Turbo
w/o Turbo
USA Built
Man Trans
Auto Trans
Japan Built
4WS R/L GN98-34-111
- 14 Cover, Lever USA Built R/L GJ21-34-015
Man Trans R/L GJ23-34-015
Auto Trans R/L GJ21-34-015
Japan Built R/L GJ21-34-012
- 15 Seat, Rubber
- 16 Seat, Spring† R/L GJ21-34-340A
Man Trans R/L GJ23-34-340A
Auto Trans
- 17 Insulator, Mounting† Man Trans R/L GJ21-34-380C
Auto Trans R/L GJ23-34-380B
- 18 Plate, Adjust† R/L GJ21-34-013
†Order by Application
- 19 Bracket, Plate (b) USA Built R/L GN81-34-088
Japan Built R/L GJ22-34-088
- 20 Actuator (b) (b) For AAS Only R/L GJ22-34-080A
- 21 Cap, Mount w/Turbo R/L GJ23-34-019
w/o Turbo R/L GJ21-34-019A
Man Trans R/L GJ23-34-019
Auto Trans
- 22 Arm Assy, Lower 1988-89 2WS R GJ22-34-300B

- 4WS L GJ22-34-350B
R GJ83-34-300B
L GJ83-34-350B
- 1990-92 w/Turbo R GJ22-34-300B
L GJ22-34-350B
- w/o Turbo USA Built R GN98-34-300A
L GN98-34-350A
R GJ22-34-300B
L GJ22-34-350B
- Japan Built
- 23 Bushing, Front (c) 2WS R/L GJ21-34-470B
4WS R/L KA10-34-470A
R/L GJ21-34-460B
- 24 Bushing, Rear (c) (c) Included w/Lower Arm Assy
- 25 Bar, Stabilizer 2WS 1988-89 w/Turbo G211-34-151B
To 6-27-88 GN94-34-151B
From 6-27-88 G211-34-151B
w/o Turbo
1990-92 USA Built GN81-34-151A
Japan Built
w/Turbo GN94-34-151B
w/o Turbo G211-34-151B
G238-34-151B
- 26 Bushing, Bar 4WS 88-89 R/L G030-34-156B
90-92 R/L GN81-34-156
R/L G041-34-156B
- 27 Bracket, Bar 2WS w/Turbo R/L KA11-34-155
w/o Turbo R/L GJ21-34-155
4WS R/L GJ21-34-155
R/L 8A2G-34-100
- 28 Mtg Kit, Stab Bar

FRONT DRIVE AXLE

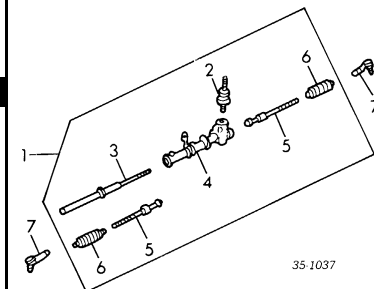


- 1 Shaft Assy, Axle w/Turbo Man Trans R G054-25-500A
L G054-25-600D
Auto Trans R G064-25-500B
L G064-25-600D
- w/o Turbo Man Trans R G034-25-50XA
L G034-25-60XA
- Auto Trans R G044-25-50XC
To 9-1-89 L G044-25-60XD
From 9-1-89 R G044-25-50XC
L GT43-25-600A
- 2 Joint Set, Outer CV† Man Trans w/Turbo R/L G054-22-510A
w/o Turbo R/L G034-22-510B
- Auto Trans w/Turbo R/L G064-22-510
- w/o Turbo R/L G044-22-510D
To 9-1-89 R/L G044-22-510D
From 9-1-89
- 3 Joint Set, Inner CV† Man Trans w/Turbo R G053-22-520
L G053-22-620B
w/o Turbo R G033-22-520
L G033-22-620B
- Auto Trans w/Turbo R G063-22-520
L G063-22-620B
- w/o Turbo R G043-22-520A
To 9-1-89 L G043-22-620C
From 9-1-89 R G043-22-520B
L GA43-22-620B
- Boot Set† Man Trans w/Turbo R/L GS70-V9-050-9U
Outer R/L G053-22-540
Inner w/o Turbo R/L GS50-V9-050-9U
Outer R/L G033-22-540
- Auto Trans w/Turbo R/L GS70-V9-050-9U
Outer

- Inner R/L G063-22-540
w/o Turbo
Outer R/L GS50-V9-050-9U
- Inner To 9-1-89 R/L G043-22-540
From 9-1-89 R/L G043-22-540A
†Included w/Axle Shaft Assy
- 4 Shaft, Intermediate Man Trans G004-25-710B
w/Turbo G003-25-710D
w/o Turbo
Auto Trans G005-25-710B
w/o Turbo G003-25-710D
- 5 Bracket, Intermediate Shaft Man Trans G004-25-741A
w/Turbo G003-25-741A
Auto Trans G008-25-741B
G003-25-742A
G003-25-744A
- 6 Seal, Brkt Inner (a) 10 2-1-90 99606-82063
- 7 Seal, Brkt Outer (a) 99606-82064
- 8 Brg, Intermediate Brkt (a) From 2-1-90 99606-82064
(a) Included w/Intermediate Shaft Bracket

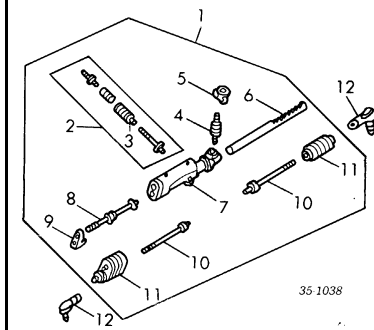
FRONT STEERING LINKAGE/GEAR

ENGINE SPEED SENSING 1988-89 W/O TURBO



- 1 Gear Assy 2WS GJ22-32-110C
4WS GJ22-32-110C
- 2 Pinion† GJ22-32-122A
- 3 Rack† GJ22-32-119
- 4 Housing† GJ22-32-120
- 5 Joint, Rack†
- 6 Boot† GJ22-32-240
2WS GJ22-32-240
4WS GJ22-32-125
- 7 End, Tie Rod R 8A11-32-280
L 8A11-32-280

ENGINE SPEED SENSING 1988-89 W/TURBO

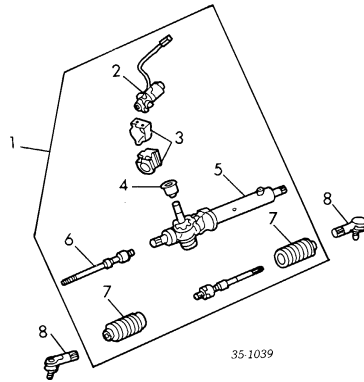


- 1 Gear Assy 2WS GM39-32-110C
4WS GM39-32-110C
- 2 Pinion Assy, Output† G238-32-13X
- 3 Boot† (a) G309-32-125
(a) Included w/Output Pinion Assy
- 4 Pinion† GK83-32-122
- 5 Housing, Valve† GK83-32-121
- 6 Rack† GK83-32-119
- 7 Housing, Gear† GK83-32-120

MAZDA 626 1988-92

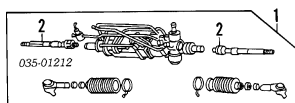
8 Rod, Piston [†]	G238-32-118A
9 Plate, Connecting [†]	G238-32-136
Man Trans	G238-32-136
Auto Trans	GM39-32-136
10 Joint, Rack [†] -Serviced w/Assy	
11 Boot [†]	R G238-32-126 L HE01-32-12X
[†] Included w/Gear Assy	
12 Joint Assy, Ball	8AH1-32-280

1988-89 VELOCITY SENSING



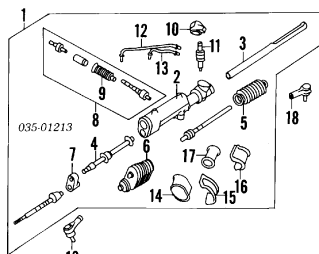
1 Gear Assy	
2WS	
Man Trans	GJ25-32-110F
Auto Trans	GJ28-32-110F
4WS	
Man Trans	GJ25-32-110F
Auto Trans	GJ28-32-110F
2 Valve, Solenoid [†]	GJ25-32-420B
3 Bracket, Solenoid Valve [†]	GJ25-32-141
4 Cover, Lever [†]	GJ25-32-112
5 Housing, Gear [†]	GJ25-32-120
To Ch GD31A104070	GJ28-32-120
From Ch GD31A104074	
6 Joint, Rack [†]	R/L GJ22-32-240
7 Boot [†]	R/L GJ25-32-125A
[†] Included w/Gear Assy	
8 Joint, Ball	R/L 8AH1-32-280

1990-92 2WS



1 Gear Assy	
w/Turbo	
To 11-1-89	GN55-32-110D
From 11-1-89	GN74-32-110A
w/o Turbo	
USA Built	GN81-32-110R-0B
Japan Built	GN52-32-110C
2 Joint, Rack [†]	R/L GJ22-32-240
[†] Included w/Gear Assy	

1990-92 4WS



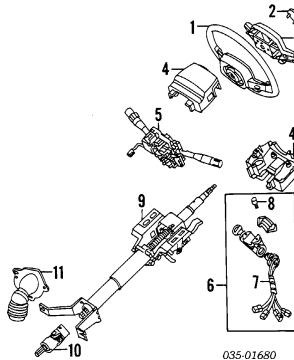
1 Gear Assy	GM39-32-110C
2 Housing, Gear [†]	GK83-32-120

3 Rack, Steering Gear [†]	GK83-32-119
4 Rod, Piston Gear [†]	G238-32-118A
5 Boot, Outer Rack [†]	HE01-32-12X
6 Boot, Inner Rack [†]	G238-32-126
7 Plate, Connecting [†]	GM39-32-136
8 Pinion Kit, Output [†]	G238-32-13X
9 Boot, Pinion [†] (a)	G309-32-125
(a) Included w/Output Pinion Kit	
10 Housing, Valve [†]	GK83-32-121
11 Pinion, Strg Gear [†]	GK83-32-420
12 Pipe, Upper Pressure [†]	GK84-32-420
13 Pipe, Lower Pressure [†]	GK84-32-420
14 Mount, Rubber Right [†]	GK83-32-124
15 Plate, Clamp [†]	R G238-32-134
16 Plate, Clamp [†]	L GK83-32-130
17 Mount, Rubber Left [†]	G238-32-123
18 End, Tie Rod	R/L 8AH1-32-280
[†] Included w/Gear Assy	

STEERING PUMP

Pump, Steering [†]	
2WS	
w/Turbo	GJ25-32-600D
w/o Turbo	G211-32-600E
4WS	GP34-32-600
[†] Order by Application	
Pulley, Pump	
2WS	88-89 GJ22-32-620A
	90-92 GJ22-32-620B
4WS	88-89 GJ22-32-620A
	90-92 GJ22-32-620B
	K805-15-908B
Belt, Drive	
Bracket Mounting	
2WS	GJ22-32-603A
4WS	G238-32-603A
Hose, Pressure [†]	GJ26-32-490B
Hose, Return [†]	GJ25-32-682A
[†] Order by Application	
Tank, Pwr Strg	
2WS	
w/Turbo	GJ25-32-690A
w/o Turbo	G211-32-690E
4WS	G238-32-690C
	GJ25-32-69X
Bracket, Tank	

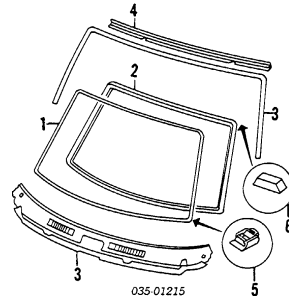
STEERING WHEEL/COLUMN



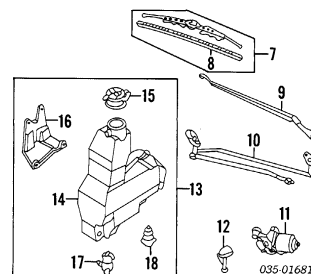
1 Wheel, Steering [†]	
Urethane	GJ22-32-980C-96
Leather	GN53-32-980A-96
2 Cap, Horn [†]	
2WS	88-89 GJ22-32-900A
	90-92 LA01-32-800B-96
4WS	88-89 GM39-32-800
	90-92 GN58-32-800A-96
3 Pad, Horn [†]	
1988-89	GJ22-32-730-96
1990-92	
2WS	LA01-32-810-96
4WS	GN58-32-810-96
4 Cover, Lock Housing [†]	
1988-89	
Upper	GJ21-60-220-96
Lower	GJ21-60-230A-96
1990-92	
Man Trans	
Upper	GJ21-60-220-96
Lower	GJ25-60-230A-96
Auto Trans	
Upper	GN51-60-220-96
Lower	GN55-60-230A-96
[†] Dark Gray listed, Order by Color & Application	
19 Red; 43 Beige; 48 Blue; 71 Taupe; 96 Dark Gray	
5 Switch, Combination (a)	GJ28-66-120
(a) Order by Application	
6 Lock Assy, Ignition	
1988-89	GJ21-76-290
1990-92	
Man Trans	GJ21-76-290
Auto Trans	GN52-76-290

7 Switch, Ignition (b)	DA01-66-151
8 Bolt, Shear (b) (2)	H043-66-154
(b) Included w/Ignition Lock Assy	
9 Column, Steering	88-89 GJ21-32-100A
	90-92 GN51-32-100B
10 Shaft Assy, Intermediate (a)	88-89 GJ21-32-090D
	90-92 GJ21-32-090D
(a) Order by Application	
11 Cover, Lever (c)	
To 9-1-87	GJ21-32-411A
From 9-1-87	GJ21-32-40X
(c) Included w/Intermediate Shaft Assy	

WINDSHIELD



1 Glass, Windshield	
Mazda (Tint)	
4 Door	
w/Sunshield	88-89 GJ30-63-901A
	90-92 GN82-63-901A
w/o Sunshield	88-89 GJ29-63-901A
	90-92 GN81-63-901A
5 Door	
w/Sunshield	88-89 GJ22-63-901C
	90-91 GJ52-63-901C
w/o Sunshield	GJ21-63-901C
	GA78-50-899
2 Weatherstrip, Glass	
3 Moulding, Reveal	
Upper	
4 Door	G212-50-601A
5 Door	
Chrome	GJ21-50-601A
Black	GL75-50-601A
Lower	8AC2-50-604
4 Retainer, Moulding	
Moulding, Inside Garnish [†] (a)	
4 Door	R GJ30-68-160A-48
	L GJ30-68-170A-48
	R GJ37-68-160A-48
	L GJ37-68-170A-48
[†] Includes Upper Center Pillar, Trim & Roof Garnish	
(a) Light Blue/Blue listed, Order by Application	
19 Light Beige/Red; 43 Light Beige/Beige	
48 Light Blue/Blue; 96 Light Gray/Dark Gray	
5 Spacer, Lower	R/L GJ21-50-891
6 Spacer, Upper (2/Side)	R/L 8182-63-903
Mirror, Rear View [†]	GJ21-69-220-44
Visor, Sun [†]	R GJ21-69-270C-44
	L GJ37-69-320C-44
[†] Light Blue listed, Order by Application	
06 Light Gray; 34 Taupe; 44 Light Blue;	
93 Light Beige	



7 Blade Assy, Wiper	
8 Door	R BJ0E-67-330-9U
	L HF06-67-330D-9U
8 Insert, Wiper [†]	R/L BC68-67-333-9U
[†] Included w/Wiper Blade Assy	
9 Arm, Wiper	88-89 R GJ22-67-321A
	L GJ21-67-321A
	90-92 R GJ22-67-321A
	L GJ21-67-321B
10 Link, Wiper	
4 Door	88-89 GK59-67-360
	90-92 GK59-67-360

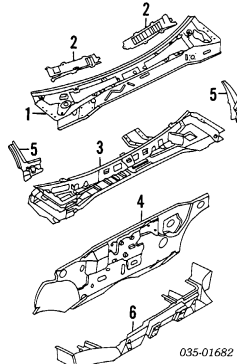
MAZDA 626 1988-92

WINDSHIELD Cont'd

5 Door	88-89 90-92	GJ83-67-360 GK39-67-360
11 Motor, Wiper		GJ84-67-340A
12 Nozzle, Spray		R/L DB02-67-510
13 Reservoir Assy		
2WS		GJ21-67-480C
USA Built		GJ26-67-480A
Japan Built		G239-67-480A
4WS		
14 Tank, Reservoir		
2WS		GJ21-67-481B
USA Built		GJ26-67-481
Japan Built		G239-67-481
4WS		
15 Cap, Tank		GJ21-67-483
2WS		G238-67-483
4WS		
16 Bracket, Tank		G238-67-485
17 Pump, Washer		
2WS		GJ21-67-482
USA Built		GJ25-67-482
Japan Built		G238-67-482
4WS		
18 Switch, Level		
2WS		GJ26-67-488
USA Built		GJ26-67-488
Japan Built		G239-67-488
4WS		

†Included w/Reservoir Assy

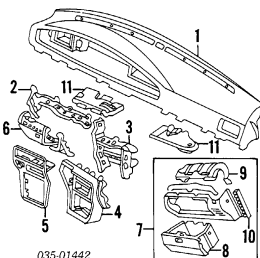
COWL & DASH



035-01682

1 Panel, Cowl Top		GJ21-70-610G
2 Baffle, Cowl	R	GJ21-56-352
	L	GJ21-56-362
		GJ21-53-510N
3 Panel, Dash Upper		
4 Panel, Dash Lower		
USA Built		GJ51-53-400C
Japan Built		GJ21-53-400E
5 Gusset, Dash Panel		
4 Door	R	G211-70-0X0
	L	G211-71-0X0A
5 Door	R	GJ21-70-0X0
	L	GJ21-71-0X0
6 Crossmember, Lower		
2WS		GJ21-53-450F
4WS		GM39-53-450B

INSTRUMENT PANEL



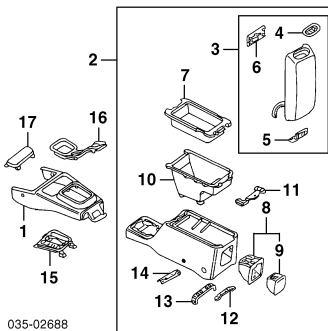
035-01442

1 Panel, Instrument		GJ21-60-350-48
		†Blue listed, Order by Application
		19 Red; 43 Beige; 48 Blue; 96 Dark Gray
Hood, Meter (a)		GK02-55-420C
		(a) Order by Application

2 Support, Panel		
w/Active Restraints		GJ21-60-42YA
w/Passive Restraints		GJ25-60-90YA
3 Support, Center		
w/Active Restraints		GJ21-60-420
w/Passive Restraints		GJ25-60-900
4 Panel, Center		GJ25-64-270B-48
5 Panel, Lower		
Man Trans		GJ25-64-280C-48
Auto Trans		GN55-64-280B-48
		†Blue listed, Order by Application
		19 Red; 43 Beige; 48 Blue; 71 Taupe; 96 Dark Gray
6 Trim, Center Panel		GJ23-55-210
7 Glove Box Assy		GJ25-64-260F-48
8 Lid, Glove Box (a)		GJ25-64-030E-48
9 Cover, Glove Box (a)		GJ25-64-111
10 Cover, Side (a)	R	GJ25-64-287-48
	L	GJ25-64-287-48
		†Blue listed, Order by Application
		19 Red; 43 Beige; 48 Blue; 71 Taupe; 96 Dark Gray
		(a) Included w/Glove Box Assy
11 Panel, Under		
USA Built	R	GN81-64-521A
	L	GN81-64-530
Japan Built	R	GJ21-64-521B
	L	GJ21-64-530B
Radio Set		
DX Model	88-89	0000-81-312G
	90-92	0000-81-843E
LX Model	R	0000-81-312G
	L	0000-81-853E
Deck, Cassette		
DX Model		0000-81-371G
LX Model		0000-81-490G
Equalizer	88-89	0000-81-122G
	90-92	0000-81-128T
Speaker, Front	R/L	0000-81-2142-01
		†Order by Application

CENTER CONSOLE

W/ARMREST

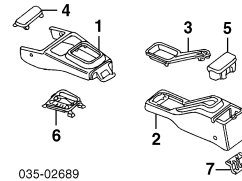


035-02688

1 Console, Front		
Man Trans		GJ21-64-320B-96
1988-89		
1990-92		
Leather		G392-64-320A-96
Urethane		GN51-64-320A-96
Auto Trans		GN52-64-320A-96
2 Console Assy, Rear		
w/Cassette Case		GJ23-64-420A-96
w/Active Restraints		GJ25-64-420C-96
w/Passive Restraints		GJ33-64-420C-96
w/o Cassette Case		GJ23-64-450A-96
3 Lid Assy, Rear Console (a)		GJ23-64-46Z-96
4 Knob, Console Lid (a) (b)		GJ23-64-46Y-96
5 Hinge, Console Lid (a) (b)		GJ23-64-46Y-96
		†Dark Gray listed, Order by Application
		19 Red; 43 Beige; 48 Blue; 71 Taupe; 96 Dark Gray
6 Lock, Console Lid (a) (b)		GJ23-64-46X
		(b) Included w/Rear Console Lid Assy
7 Tray, Console (a)		
w/Cassette Case		CJ23-64-442-96
w/o Cassette Case		CJ33-64-442-96
8 Ashtray Assy (a)		GJ21-64-680-96
9 Case, Inner Ashtray (a) (b)		GJ21-64-680-96
		†Dark Gray listed, Order by Application
		19 Red; 43 Beige; 48 Blue; 71 Taupe; 96 Dark Gray
		(b) Included w/Ashtray Assy
10 Box, Console (a)	88-89	GJ23-64-441A
	90-92	GJ23-64-441
11 Plate, Stopper (a)		GJ23-64-459
12 Bracket, Hinge (a)		GJ23-64-457
13 Bracket, Front (a)		
w/Cassette Case		GJ23-64-443
w/o Cassette Case		GJ33-64-443
14 Bracket, Rear (a)		GJ33-64-446
		(a) Included w/Rear Console Assy
15 Indicator	88-89	GJ24-64-350C
	90-92	GN52-64-350A

16 Plate, Upper		GJ23-64-430B-96
17 Panel, Switch		GJ21-64-323A-96
		†Dark Gray listed, Order by Application
		19 Red; 43 Beige; 48 Blue; 71 Taupe; 96 Dark Gray

W/O ARMREST

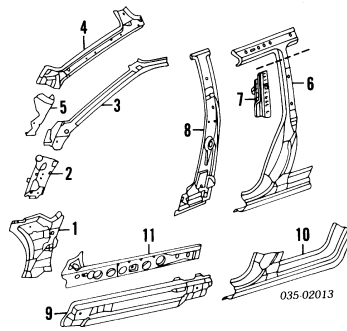


035-02689

1 Console, Front		GJ23-64-320B-96
2 Console, Rear		GJ21-64-42YA-96
3 Plate, Upper		GJ21-64-430-92
4 Panel, Switch		GJ21-64-323A-96
5 Ashtray		G030-64-660
		†Dark Gray listed, Order by Application
		19 Red; 43 Beige; 48 Blue; 96 Dark Gray
6 Indicator		GJ24-64-350C
7 Bracket, Console		GJ21-64-416

ROCKER/PILLARS/FLOOR

†Time is to Cut at Dotted Line in Illustration

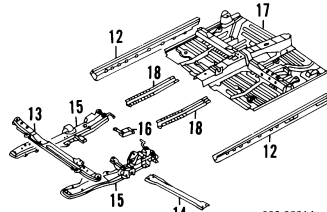


035-02013

1 Panel, Cowl Side	R	GJ21-70-020C
	L	GJ21-71-020C
Panel, Cowl Trim	R	GJ21-68-370A-48
	L	GJ21-68-390-48
		†Blue listed, Order by Application
		19 Red; 43 Beige; 48 Blue; 71 Taupe; 96 Dark Gray
2 Pillar, Lower Hinge	R	GJ21-70-230
	L	GJ21-71-230
3 Pillar, Upper Outer Hinge		
4 Door	R	G211-70-220B
	L	G211-71-220B
5 Door	R	G225-70-220A
	L	G225-71-220A
4 Pillar, Upper Inner Hinge		
4 Door	R	G211-70-240
	L	G211-71-240A
5 Door	R	G225-70-240
	L	G225-71-240
5 Brkt, Inst Panel	R/L	GJ21-71-260
6 Pillar, Outer Center		
4 Door	R	GJY9-70-350
	L	GJY9-71-350
5 Door	R	GJY7-70-350
	L	GJY7-71-350
7 Reinf, Center Pillar		
4 Door	R	GJ29-70-365
	L	GJ29-71-365
5 Door	R	GJ27-70-360B
	L	GL27-71-360B
8 Pillar, Inner Center		
4 Door	R	GJ29-70-080C
	L	GJ29-71-080B
5 Door	R	GJ37-70-080B
	L	GJ37-71-080B
Moulding, Center Pillar		
4 Door	R	G211-50-8E0
	L	G211-50-8F0
5 Door	R	G225-50-8E0
	L	G225-50-8F0
Panel, Pillar Inner Trim		
Upper-See Windshield Section		
Lower	R	GJ29-68-220-48
	L	GJ33-68-230-48
		†Blue listed, Order by Application
		19 Red; 43 Beige; 48 Blue; 71 Taupe; 96 Dark Gray
Panel, Rocker Outer		
Front	R	G211-70-27X

MAZDA 626 1988-92

10 Rear	L G211-71-27X
4 Door	R GJY9-70-270A L GJY9-71-270A
5 Door	R GJY7-71-270A L GJY7-71-270A
11 Reinf, Rocker	R G211-70-281A L G211-71-281A
Plate, Front Scuff	R G211-68-710A-48 L G211-68-720A-48
Plate, Rear Scuff	R G211-68-730A-48 L G211-68-740A-48
*Blue listed, Order by Application 19 Red; 43 Beige; 48 Blue; 71 Taupe; 96 Dark Gray	



12 Panel, Rocker Inner	R GJ29-53-950 L GJ29-54-950
13 Crossmember, Front	GP34-34-850
14 Crossmember, Rear	G309-34-861A
15 Frame, Front	
2WS	R GJ21-34-810H L GJ21-34-820H
4WS	
Man Trans	R G309-34-810C L G309-34-820D
Auto Trans	R G238-34-810E L GJ21-34-820H
16 Damper, Dynamic	GJ83-34-990
17 Pan, Front Floor	
2WS	GJ21-53-600D
4WS	
USA Built	GJ21-53-600D
Japan Built	GM39-53-600
18 Frame, Front Floor	R GJ21-53-660C L GJ21-54-660B

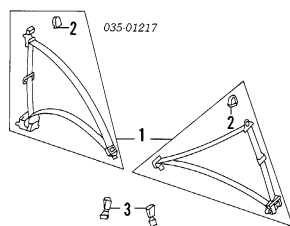
FRONT SEAT

Adjuster, Seat Track	
4 Door	
DX Model	R GK87-88-60X L GK87-88-61X
LX, 4WS, Turbo Model	R GK87-88-60X L GK88-88-61XA
5 Door	R GK94-88-60X L GJ22-88-61XA
Adjuster, Recline	
Driver Side	R GK87-88-101 L GJ21-88-10Y
Passenger Side	R GJ21-88-15Y L GJ21-88-151

REAR SEAT

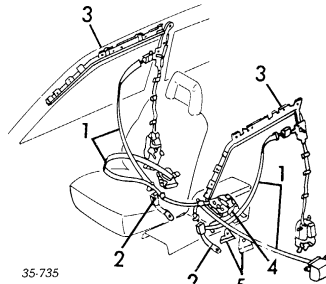
SEAT BELTS

FRONT ACTIVE RESTRAINT



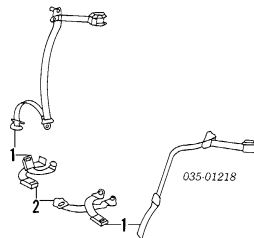
Belt, Front Seat	
1 Retractor	R GJ30-57-630C-48 L GJ35-57-980B-48
2 Cover, Anchor	R GJ30-57-631A-48 L GJ30-57-691-48
3 Buckle	R GJ21-57-620C-48 L GJ21-57-680D-48
*Blue listed, Order by Application 19 Red; 43 Beige; 48 Blue; 71 Taupe; 96 Dark Gray	

FRONT PASSIVE RESTRAINT



1 Belt, Seat	R GJ30-57-630C-48 L GJ35-57-980B-48
2 Buckle	R GJ25-57-620D-48 L GJ25-57-680E-48
*Blue listed, Order by Application 19 Red; 43 Beige; 48 Blue; 71 Taupe; 96 Dark Gray	
3 Slide	R GJ35-57-930E L GJ35-57-990E
*Order by Application	
4 Retractor, Center	GN60-57-920-48
*Blue listed, Order by Application 19 Red; 43 Beige; 48 Blue; 71 Taupe; 96 Dark Gray	
5 Brkt, Retractor	R GJ25-57-925B L GN60-57-995

REAR



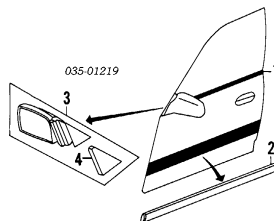
1 Retractor	R/L GJ30-57-770E-48 GJ21-57-740-48
2 Belt, Center	
*Blue listed, Order by Application 19 Red; 43 Beige; 48 Blue; 96 Dark Gray; 71 Taupe	

FRONT DOOR

SHEET METAL

Shell Assy, Door	
4 Door	R GJY9-58-020A L GJY9-59-020A
5 Door	R GJY7-58-020 L GJY7-59-020
Panel, Door Repair	
USA Built	R GJ29-58-031A L GJ29-59-031A
From 6-3-91	R GJ29-58-031A L GJ29-59-031A
Japan Built	R GJ29-58-031A L GJ29-59-031A
*Included w/Door Shell Assy	

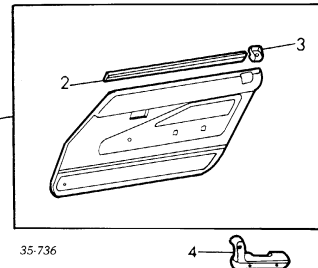
EXTERIOR TRIM



1 Moulding Assy, Belt	
Chrome	R G211-50-640D L G211-50-650C

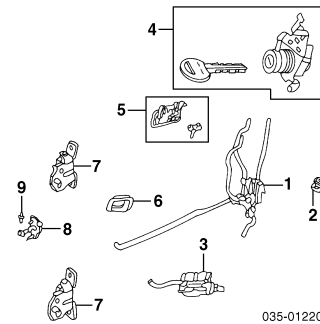
Black	R GM66-50-640B L GM66-50-650B
Protector, Belt Moulding	
Front	R G211-50-644 L G211-50-654
Rear	R G211-50-645A L G211-50-655A
*Included w/Belt Moulding Assy	
2 Moulding, Side	
Adhesive	R GN81-50-682 L GN81-50-692
1988-89	
1990-92	
USA Built	R GN81-50-682 L GN81-50-692
Japan Built	
Black	R G212-50-682 L G212-50-692
Body Color	R G243-50-682-59 L G243-50-692-59
*Blue listed, Order by Application UC Crystal White/Silver; PZ Brilliant Black/Silver; SQ Blaze Red/Silver; 6L Graceful Red/Silver; NU Vintage Red/Silver; 5N Brave Blue/Silver; 6S Exceed Green/Silver; 1H Steel Gray/Silver; 3L Silver Stone/Silver	
3 Mirror Assy, Rear View	R GJ30-69-110C L GJ30-69-170C
*Order by Application	
4 Cover, Mirror Mount (a)	R GJ30-69-111 L GJ30-69-171
(a) Included w/Rear View Mirror Assy	

INTERIOR TRIM



1 Panel Assy, Trim	
Vinyl	R GJ29-68-420B-48 L GJ29-68-450B-48
Cloth	R GJ30-68-420B-48 L GJ30-68-450B-48
*Order by Application 19 Red; 43 Beige; 48 Blue; 71 Taupe; 96 Dark Gray	
2 Weatherstrip, Inner (a)	R G211-58-821A L G211-59-821A
3 Trim, Lock (a)	R/L GJ21-68-421A-48
Pocket, Map (a) (b)	R GJ30-68-4C0A-48 L GJ29-68-455-48
Handle, Pull (a) (b)	R G214-68-4A4-48 L G214-68-4A5-48
(a) Included w/Trim Panel Assy (b) For Cloth Trim Panel	
4 Armrest (c)	R BF70-69-370C-48 L BF70-69-390C-48
*Blue listed, Order by Application 19 Red; 43 Beige; 48 Blue; 71 Taupe; 96 Dark Gray (c) For Vinyl Trim Panel	

HARDWARE



1 Latch	
---------	--

MAZDA 626 1988-92

FRONT DOOR Cont'd	
HARDWARE Cont'd	
w/Theft Deterrent	R GJ30-58-310A L GJ32-59-310A
w/o Theft Deterrent	R GJ54-59-310B L GJ30-59-310A
*Order by Application	
Striker, Latch	R/L B001-58-361A
3 Actuator, Power Lock	R/L GJ29-58-350C
4 Cylinder w/Key	
w/Theft Deterrent	R GJ30-76-210 L GJ30-76-220
w/o Theft Deterrent	R GJ29-76-210C L GJ29-76-220C
5 Handle, Outside	
Chrome	R G211-58-410C L G211-59-410C
Body Color (a)	R G212-58-410C-UC L G212-59-410C-UC
(a) White listed, Order by Application UC Crystal White/Silver; PZ Brilliant Black/Silver; SQ Blaze Red/Silver; 6L Gracelul Red/Silver; NU Vintage Red/Silver; 5N Brave Blue/Silver; 6S Exceed Green/Silver; 1H Steel Gray/Silver; 3L Silver Stone/Silver	
Joint, Connecting	R/L H043-72-411
6 Handle, Inside*	R H260-72-330A-48 L H260-73-330A-48
*Blue listed, Order by Application 19 Red; 43 Beige; 48 Blue; 71 Taupe; 96 Dark Gray	
7 Hinge	
Upper	R/L G00D-59-240B
Lower	R/L G00D-59-240A
8 Check, Door	R/L G211-58-270
9 Pin, Check	R/L H260-58-265C
W/Strip, On Door	
Lower	R G211-58-76X L G211-59-76X
W/Strip on Body	
4 Door	R G211-58-760 L G211-59-760
5 Door	R G225-58-760 L G225-59-760
Welt, Seaming*	
4 Door	R GJ33-68-911A-48 L GJ33-68-912B-48 R GJ37-68-911A-48 L GJ37-68-912A-48
5 Door	R GJ33-68-911A-48 L GJ37-68-912A-48
*Blue listed, Order by Application 19 Red; 43 Beige; 48 Blue; 71 Taupe; 96 Dark Gray	

GLASS & PARTS	
<p>035-00737</p>	
1 Glass, Front Door	
Mazda (Tint)	R G211-58-510E L G211-59-510E
4 Door	R G225-58-510E L G225-59-510E
5 Door	R G225-58-510E L G225-59-510E
2 Weatherstrip, Glass	
4 Door	R G211-58-76YA L G211-59-76YA
5 Door	R G225-58-76YA L G225-59-76YA
3 Run, Glass	
4 Door	R G211-58-605B L G211-59-605B
5 Door	R G225-58-605B L G225-59-605B
4 Guide, Front	
4 Door	R G211-58-601 L G211-59-601
5 Door	R GJ21-58-601B L GJ21-59-601B
5 Guide, Rear	
4 Door	R G211-58-61Y L G211-59-61Y
5 Door	R G225-58-61Y L G225-59-61Y
6 Regulator Assy	
Manual	R G211-58-560B

Power	L G211-59-560B
4 Door	R G212-58-560E L H261-59-598
5 Door	R G226-59-560C L G226-59-560C
7 Handle, Regulator (a)	R/L B092-58-580-48
(a) Blue listed, Order by Application 19 Red; 43 Beige; 48 Blue; 71 Taupe; 96 Dark Gray	
Motor, Regulator*	R G212-58-560E L H261-59-598
Guide, Regulator*	
4 Door	R G212-58-590 L H261-59-598
5 Door	R G226-58-590 L G226-59-590
*Included w/Power Regulator Assy	

REAR DOOR	
SHEET METAL	
Shell Assy, Door	
4 Door	R GJY9-72-020A L GJY9-73-020A
5 Door	R GJY7-72-020 L GJY7-73-020
Panel, Door Repair*	
USA Built	R G00D-72-031 L G00D-73-031
To 6-3-91	R G00D-72-031 L G00D-73-031
From 6-3-91	R G00D-72-031 L G00D-73-031
Japan Built	R G00D-72-031 L G00D-73-031
*Included w/Door Shell Assy	

EXTERIOR TRIM	
<p>035-01221</p>	
1 Moulding Assy, Belt	R G211-50-660D L G211-50-670D
Protector, Belt Moulding*	
Front	R G211-50-664 L G211-50-674
Rear	R G211-50-665 L G211-50-675
*Included w/Belt Moulding Assy	
2 Moulding, Side	
Adhesive	R GN81-50-683 L GN81-50-683
1988-89	R GN81-50-683 L GN81-50-683
1990-92	R GN81-50-683 L GN81-50-683
USA Built	R GN81-50-683 L GN81-50-683
Japan Built	R G212-50-683 L G212-50-693
Chrome	R G243-50-683-04 L G243-50-693-04
Body Color*	R G243-50-683-04 L G243-50-693-04
*Black/Silver listed, Order by Application UC Crystal White/Silver; PZ Brilliant Black/Silver; SQ Blaze Red/Silver; 6L Gracelul Red/Silver; NU Vintage Red/Silver; 5N Brave Blue/Silver; 6S Exceed Green/Silver; 1H Steel Gray/Silver; 3L Silver Stone/Silver	
Nameplate	G238-51-762
4 WS	

INTERIOR TRIM	
<p>35-738</p>	
1 Glass, Rear Door	
Mazda (Tint)	R G211-72-510F L G211-73-510F
4 Door	R G225-72-510F L G225-73-510F
5 Door	R G225-72-510F L G225-73-510F
2 Weatherstrip, Glass	
4 Door	R G211-72-76YC L G211-73-76YC
5 Door	R G225-72-76YC L G225-73-76YC
3 Run, Glass	
4 Door	R G211-72-76YC L G211-73-76YC
5 Door	R G225-72-76YC L G225-73-76YC

1 Panel Assy, Trim*	
Vinyl	R GJ29-68-520A-48 L GJ29-68-550A-48
Cloth	R GJ30-68-520C-48 L GJ30-68-550A-48
*Blue listed, Order by Application 19 Red; 43 Beige; 48 Blue; 71 Taupe; 96 Dark Gray	
2 Weatherstrip, Inner (a)	R G211-72-821B L G211-73-821B
3 Vessel, Inner Lock** (a)	R/L GJ21-68-421A-48
Handle, Pull** (a) (b)	R/L B110-68-435-48
**Blue listed, Order by Application	
Lamp, Courtesy (a) (b)	R G211-51-4D0A L G211-51-4C0A
(a) Included w/Trim Panel Assy (b) For Cloth Trim Panel	
4 Armrest** (c)	R/L B100-69-37X-48
*Blue listed, Order by Application 19 Red; 43 Beige; 48 Blue; 71 Taupe; 96 Dark Gray (c) For Vinyl Trim Panel Only	

HARDWARE	
<p>035-01222</p>	
1 Latch*	
DX Model	R G211-72-310C L G211-73-310C
LX Model	R GJ32-72-310C L GJ32-73-310C
*Order by Application	
Striker, Latch	R/L B001-58-361A
3 Actuator, Power Lock	R G212-72-350A L G212-73-350B
4 Handle, Outside	
Chrome	R G211-72-410B L G211-73-410B
Body Color*	R G212-72-410A-5N L G212-73-410A-5N
*Blue listed, Order by Application UC Crystal White/Silver; PZ Brilliant Black/Silver; SQ Blaze Red/Silver; 6L Gracelul Red/Silver; NU Vintage Red/Silver; 5N Brave Blue/Silver; 6S Exceed Green/Silver; 1H Steel Gray/Silver; 3L Silver Stone/Silver	
5 Handle, Inside*	R H260-72-330A-48 L H260-73-330A-48
*Blue listed, Order by Application 19 Red; 43 Beige; 48 Blue; 71 Taupe; 96 Dark Gray	
6 Hinge	
Upper	R G211-72-210B L G211-73-210A
Lower	R G030-72-240 L G030-73-240
7 Check, Door	R/L G211-72-270A
8 Pin, Check	R/L H260-58-265C
W/Strip, On Door	R G211-72-76X
W/Strip, On Body	
4 Door	R G211-72-760D L G211-73-760D
5 Door	R G225-72-760C L G225-73-760C
Welt, Seaming*	
4 Door	R GJ33-68-921A-48 L GJ33-68-922A-48
5 Door	R GJ37-68-921A-48 L GJ37-68-922A-48
*Blue listed, Order by Application 19 Red; 43 Beige; 48 Blue; 71 Taupe; 96 Dark Gray	

GLASS & PARTS	
<p>Illustration Located in Next Column</p>	
1 Glass, Rear Door	
Mazda (Tint)	R G211-72-510F L G211-73-510F
4 Door	R G225-72-510F L G225-73-510F
5 Door	R G225-72-510F L G225-73-510F
2 Weatherstrip, Glass	
4 Door	R G211-72-76YC L G211-73-76YC
5 Door	R G225-72-76YC L G225-73-76YC
3 Run, Glass	
4 Door	R G211-72-76YC L G211-73-76YC
5 Door	R G225-72-76YC L G225-73-76YC

35-739

4 Door	R G211-72-605C
	L G211-73-605C
5 Door	R G225-72-605C
	L G225-73-605C
4 Guide, Front	R G211-72-607A
4 Door	L G211-73-607A
5 Door	R G225-72-607A
	L G225-73-607A
5 Guide, Rear	R G211-72-603A
4 Door	L G211-73-603A
5 Door	R G225-72-603B
	L G225-73-603B
6 Bracket, Corner	R G212-72-621A
4 Door	L G212-73-621A
5 Door	R G225-72-621A
	L G225-73-621A
7 Regulator Assy	R G211-72-560A
Manual	L G211-73-560B
Power	R G212-72-560E
4 Door	L G212-73-560E
5 Door	R G225-72-560E
	L G225-73-560E
8 Handle, Regulator (a)	R/L B092-58-580-48
(a) Blue listed, Order by Application	
19 Red; 43 Beige; 48 Blue; 71 Taupe; 96 Dark Gray	
Motor, Regulator	R G212-72-58XA
4 Door	L G212-73-580E
5 Door	R G225-72-58X
	L G212-73-58XA
*Included w/Power Regulator Assy	

ROOF
SHEET METAL/EXTERIOR TRIM

35-740

1 Panel, Roof	w/Sunroof	GJY0-70-600
4 Door	GJY8-70-600	
5 Door	w/o Sunroof	GJY9-70-600
4 Door	GJY7-70-600	
5 Door		
Rail, Drip	4 Door	R G211-70-311
	L	G211-71-311
	Rear	R G211-70-312
	L	G211-71-312
5 Door	Front	R G225-70-311
	L	G225-71-311
	Rear	R G225-70-312
	L	G225-71-312
Moulding, Drip Rail	4 Door	R 8AG1-50-511

5 Door	L 8AG1-50-531	
	R 8AG2-50-511	
	L 8AG2-50-531	
2 Header, Front	G211-70-640	
4 Door	GJ21-70-640	
5 Door		
3 Bow, Center	w/o Sunroof	G211-70-661A
4 Door	GJ21-70-661	
5 Door		
4 Reinforcement, Sunroof	4 Door	R G214-70-620A
	L	G214-71-620A
	5 Door	R G228-70-620C
	L	G228-71-620C
5 Header, Rear	4 Door	G211-70-701
	5 Door	G225-70-700A
Rail, Roof Outer Side	*See Quarter Panel Section	
	*Serviced w/Outer Quarter Panel	
6 Rail, Roof Inner Side	4 Door	R GJ29-70-050C
	L	GJ29-71-050D
	5 Door	R GJ37-70-050A
	L	GJ37-71-050B
Mast, Antenna	Manual	0000-81-0624
Power	4 Door	0000-81-0528-SD
	5 Door	0000-81-0528-CR
Motor, Antenna		0000-81-0529

INTERIOR TRIM

035-01223

1 Headliner	4 Door	88-89 GJ34-68-030-44	
w/Sunroof	90-92	GN54-68-030A-43	
w/o Sunroof	88-89	GJ33-68-030D-44	
	90-92	GN52-68-030A-43	
5 Door	w/Sunroof	88-89 GJ38-68-030-44	
	90-92	GN37-68-030-43	
	88-89	GJ37-68-030-44	
	w/o Sunroof	90-92	GJ37-68-030D-43
2 Moulding, Finish	Front	G211-68-090-44	
4 Door	GJ21-68-090-44		
5 Door			
Side-See Windshield Section			
Rear	4 Door	G211-68-130-44	
	5 Door	G225-68-130-44	
*Light Blue listed, Order by Application			
04 Light Gray; 44 Light Blue; 84 Light Taupe;			
93 Light Beige			

OVERHEAD CONSOLE

035-01685

1 Console Assy, Overhead	GJ21-69-870-06
*Light Gray listed, Order by Application	
06 Light Gray; 19 Red; 34 Light Taupe;	
44 Light Blue; 83 Light Beige	
2 Switch, Sliding Roof (a)	G117-69-87X
(a) Included w/Overhead Console Assy	
3 Bracket, Console	G034-69-851A
4 Cover, Console Front	GJ21-69-886-06
5 Cover, Console Rear	GJ21-69-887-06
*Light Gray listed, Order by Application	
06 Light Gray; 19 Red; 34 Light Taupe;	
44 Light Blue; 83 Light Beige	

SUNROOF
1988-89

35-611

1 Panel Assy, Sliding	Steel Sunroof	GJ24-69-810A
	Glass Sunroof	GJ22-69-810C
2 Panel, Sliding	*Serviced w/Sliding Panel Assy	
3 Weatherstrip, Panel	Steel Sunroof	GJ24-69-825A
	Glass Sunroof	GJ22-69-825
4 Retainer, w/Strip	*Serviced w/Sliding Panel Assy	
	*Included w/Sliding Panel Assy	
5 Sunshade (a)	88-89	GJ52-69-891B-44
	90-92	GJ22-69-891D-44
6 Welt, Seaming (a)	(a) Light Blue listed, Order by Application	
	06 Light Gray; 44 Light Blue; 34 Light Taupe;	
	93 Light Beige	
7 Rail, Drip	R/L	G034-69-856A
8 Panel, Lower		G034-69-838B
9 Cover, Lower Panel	Center	GJ22-69-893
	Side	R GJ22-69-983A
	L	GJ22-69-984A
10 Guide, Sunroof Panel		
11 Front	R	G034-69-839A
	L	G034-69-841A
12 Rear	Steel Sunroof	R G034-69-842A
	L	G034-69-843A
	Glass Sunroof	R G038-69-842A
	L	G038-69-843A
13 Frame, Sliding Roof	GJ22-69-840	
w/Active Restraints	GJ26-69-840	
w/Passive Restraints		
14 Seal, Frame	*Serviced w/Frame Assy	
15 Rail, Guide	Steel Sunroof	R G034-69-842A
	L	G034-69-843A
	Glass Sunroof	R G038-69-842A
	L	G038-69-843A
16 Cover, Guide Rail	Steel Sunroof	R G034-69-834A
	L	G034-69-835A
	Glass Sunroof	R/L G040-69-834-5
17 Deflector	G034-69-845	
18 Link, Deflector	R/L	G034-69-846-7
19 Motor, Sliding Roof	G117-69-848A	
20 Bracket, Drive Unit	GJ22-69-861	
Handle, Sliding Roof	B004-69-855A	

1990-92

Illustration Located in Next Column

1 Panel, Lower	G034-69-838B
Glass, Sunroof	GJ22-69-810C
2 Welt, Seaming	GJ22-69-981A-44
*Blue listed, Order by Application	
06 Light Gray; 19 Red; 34 Light Taupe;	
44 Light Blue	
3 Rail, Drip	G034-69-856A
4 Cover, Lower Panel	GJ22-69-893
5 Cover, Decoration	R GJ22-69-983A

MAZDA 626 1988-92

SUNROOF Cont'd

1990-92 Cont'd

035-01240

6 Frame, Sliding Roof	L GJ22-69-984A GJ26-69-840
7 Rail, Guide	R G038-69-832A L G038-69-833A
8 Guide, Rear	R G038-69-842A L G038-69-843A
9 Deflector	R/L G034-69-846-7
10 Link, Deflector	G117-69-848A
11 Motor, Sunroof	GJ22-69-861
12 Brkt, Drive Unit	

BACK WINDOW

035-01686

1 Glass, Back Window	Mazda (Tint)
	USA Built
	Japan Built
2 Spacer, Glass (4)	GN81-63-931 G211-63-931A
3 Spacer, Glass Lower (2)	GJ51-50-897 GJ51-50-891
4 Weatherstrip, Glass	GA78-50-899

035-01708

5 Moulding Assy, Upper Reveal	USA Built
	To 8-30-90
	From 8-30-90
6 Clip, Midg (7)	8AG1-50-611 8AG9-50-611
7 Clip, Midg (4)	B092-50-609 GJ21-50-6G8
	<i>Included w/Upper Reveal Moulding Assy</i>
8 Moulding Assy, Lower Reveal	8AG1-50-614
9 Cap, Midg (a)	R G211-50-6G1 L G211-50-6G2
10 Grommet, Lower Midg (a) (6)	H260-50-6K8
	<i>(a) Included w/Lower Reveal Moulding Assy</i>

11 Moulding Assy, Side	R/L 8AG1-50-612-3
12 Retainer (b)	R G211-50-6H5 L G211-50-6H6
13 Bracket, Upper Side (b)	R G211-50-6J2 L G211-50-6J3
14 Bracket, Lower Side (b)	R G211-50-6J4 L G211-50-6J5
15 Midg, Upper Corner (b)	R G211-50-6H1A L G211-50-6H2A
16 Midg, Lower Corner (b)	R G211-50-6H3A L G211-50-6H4A
17 Midg, Outer (b)	R/L G211-50-6H7
18 Bolt (b) (2/Side)	R/L G211-50-6L7
19 Gasket (b) (2/Side)	R/L B092-50-816
20 Fastener (b) (2/Side)	R/L B130-51-918
21 Fastener (b)	R/L G211-50-6L5
22 Fastener (b)	R/L B130-51-919

(b) Included w/Side Moulding Assy

QUARTER PANEL

SHEET METAL

4 DOOR

035 02015

1 Panel, Outer Quarter	R GJY9-70-41XB L GJY9-71-41XB
Door, Fuel	G211-42-410A
2 Panel, Inner	R GJ29-70-110A L GJ29-71-110A
3 Panel, Wheelhouse	USA Built
	To 3-8-90
	From 3-8-90
	Japan Built
	R GJ23-70-150H L GJ23-71-150F R GJ23-70-150H L GJ23-71-150F R/L B211-70-150D L G211-71-150E

INTERIOR TRIM

4 DOOR

035-02020

1 Panel, Trim Upper [¶]	R GN81-68-250B-44 L GK59-68-260-44
2 Wheelhouse [¶]	R G211-68-780A-48 L G211-68-780A-48
3 Trim, Trunk Side [¶]	R G212-68-850-48 L G212-68-870-48
Trim, Package Tray [¶]	GJ29-68-310D-48
Speaker, Rear [¶]	<i>Blue listed, Order by Application</i> R/L 0000-81-2142-01
	<i>Order by Application</i> 19 Red; 43 Beige; 48 Blue; 71 Taupe; 96 Dark Gray

SHEET METAL

5 DOOR

Illustration Located in Next Column

1 Panel, Outer Quarter	R GJY7-70-41XA
------------------------	----------------

035 02016

2 Pillar, Rear	L GJY7-71-41XA R G225-70-440 L G225-71-440
Door, Fuel	G211-42-410A
3 Panel, Inner	R GJ37-70-110B L GJ37-71-110B
4 Panel, Wheelhouse	R G211-70-150D L G211-71-150E

INTERIOR TRIM

5 DOOR

035-02020

1 Panel, Trim Upper [¶]	R GL65-68-250A-44 L GL65-68-260A-44
2 Wheelhouse [¶]	R G211-68-780A-48 L G211-68-780A-48
Trim, Trunk Side [¶]	R GJ37-68-84X-48 L GJ37-68-86X-48
3 Upper	R G225-68-850A-48 L G225-68-870A-48
4 Lower	<i>Blue listed, Order by Application</i> 19 Red; 43 Beige; 48 Blue; 71 Taupe; 96 Dark Gray
Speaker, Rear (a)	0000-81-5817-01
	<i>(a) Order by Application</i>

EXTERIOR TRIM

4 DOOR, 5 DOOR

035-01227

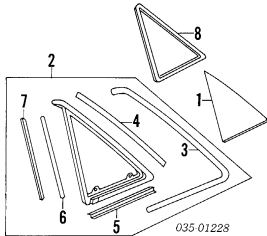
1 Chamber Assy, Extractor	4 Door	R G211-51-920 L G211-51-940
5 Door	Upper	R G225-51-920 L G225-51-940
	Lower	R G225-51-8V0 L G225-51-8W0
2 Gasket, Extractor [¶]	4 Door	R/L G211-51-922
	5 Door	R/L G225-51-922
	Upper	R/L G225-51-8V2
	Lower	R/L G225-51-8V2
		<i>¶Included w/Extractor Chamber Assy</i>

MAZDA 626 1988-92

Midg, Center Pillar	
4 Door	R G211-50-8E0 L G211-50-8F0
5 Door	
	R G225-50-8E0 L G225-50-8F0

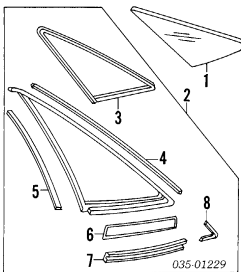
QUARTER GLASS

4 DOOR



1 Glass, Quarter Mazda (Tint)	R G211-62-951 L G211-63-951
2 Moulding Assy, Reveal To 4-22-91 From 4-22-91	R G211-50-810C L G211-50-820C R GN51-50-810 L GN51-50-820
Protector, Garnish	
3 Rear Outer	R/L G211-50-828
4 Rear Inner To 4-22-91 From 4-22-91	R/L G211-50-G27 R/L GR11-50-G27
5 Lower	R/L G211-50-813
6 Front Inner	R G211-50-815 L G211-50-825
7 Front Outer	R/L G211-50-814
8 Weatherstrip	R/L G211-50-807

5 DOOR

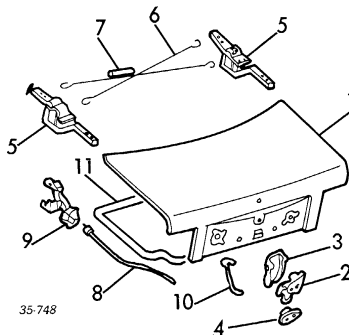


1 Glass, Quarter Mazda (Tint)	R G225-62-951A L G225-63-951A
2 Moulding Assy, Reveal Chrome Black	R G225-50-810D L G225-50-820D R GM66-50-810D L GM66-50-820D
3 Weatherstrip	R/L G225-50-807
Protector, Garnish	
4 Rear	R/L G225-50-G27
5 Front	R/L G226-50-815
6 Lower Inner	R/L G226-50-813
7 Lower Outer	R/L G225-50-812A
8 Corner	R G225-50-819A L G225-50-829A

LUGGAGE LID

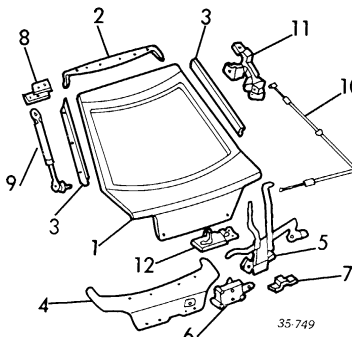
Illustration Located in Next Column

1 Lid, Luggage Moulding, Lid Nameplate Adhesive "2.2" "4 WS" "Turbo" "Mazda" "Mazda 626"	GJY9-52-610 8AG1-50-941 GJ21-51-771 G238-51-761A GJ25-51-771 GJ21-51-710A GJ21-51-720
Panel, Outer Finish	



USA Built	GN81-51-3AY-00
Japan Built	GJ29-51-3A0
*Blue listed, Order by Application	
UC Crystal White; PZ Brilliant Black; K3 Sunbeam Silver Met; VK Corn Beige WY Noble White; 1E Bayside Blue Met; 1F Winning Silver Met; 1H Steel Gray Met 2E Nordic Green Met; 2H Claret Met 5A Sapphire Blue Met; 5G Prestige Silver Met 5N Brave Blue Met; 5P Porcelain Blue Met; 6L Gracelul Red Met; 6N Currant Blue Met; 6S Exceed Green Met; 3L Silver Stone Met; 3N Warm Gray MC;	
2 Latch	GJ21-56-820B GJ21-56-823A
3 Cover, Latch Cylinder w/Key w/Theft Deterrent w/o Theft Deterrent	GJ30-76-230 GJ29-76-230 GJ21-56-840C
4 Striker	R G211-52-710C L G211-52-720B
5 Hinge	R/L G211-56-851-2 B130-56-805A
6 Spring, Balance	G211-56-870A
7 Protector, Spring Cable, Opener For Luggage Lid For Fuel Door	GJ29-56-890 GJ22-56-860A G211-56-822 G211-56-951B
9 Lever, Opener	
10 Rod, Lid Opening	
11 Weatherstrip	

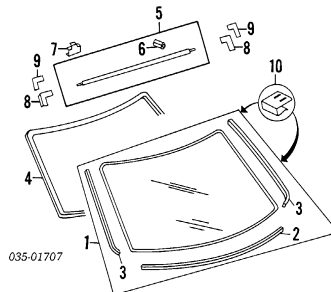
LIFTGATE



1 Shell, Gate Nameplate Adhesive "2.2" "Turbo" "Mazda" "Mazda 626"	GJY8-62-020 GJ21-51-771 GJ25-51-771 GJ21-51-710A GJ21-51-720
Panel, Outer Finish	
To 9-20-89	G225-51-3A0
From 9-20-89	GJ37-51-3A0-5D
*Harbor Blue Met listed, Order by Application DV Day Blue; UC Crystal White; K3 Sunbeam Silver Met; PZ Brilliant Black; VK Corn Beige; WY Noble White; 1E Bayside Blue Met 1F Winning Silver Met; 1H Steel Gray Met 2E Nordic Green Met; 2H Claret Met; 3L Silver Stone Met; 5A Sapphire Blue Met; 5D Harbor Blue Met; 5G Prestige Silver Met; 5N Brave Blue Met; 5P Porcelain Silver Met; 6S Exceed Green Met; 6H Mellow Burgundy MC; 6L Gracelul Red MC;	
Panel, Inner Trim	
2 Upper	G225-68-9X0-48

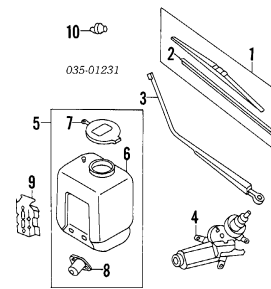
3 Side	R G225-68-930-48 L G225-68-940-48
4 Lower	GJ37-68-950-48
*Blue listed, Order by Application 19 Red; 43 Beige; 48 Blue; 71 Taupe; 96 Dark Gray	
5 Latch Cylinder & Key w/Theft Deterrent w/o Theft Deterrent	GJ37-62-310C GJ38-76-260 GJ37-76-260 GJ37-62-350B
6 Controller, Lock	G225-62-361C
7 Striker	R/L G01A-62-210
8 Hinge	R 8BG2-62-620
9 Stay (Prop)	L 8BG2-63-620
10 Cable, Fuel Lid Opener	GJ37-56-880
11 Lever, Opener	GJ22-56-860A
12 Handle, Outer Weatherstrip	G225-62-410A G225-62-761A

GLASS & PARTS



1 Glass Assy, Rear Gate Mazda (Tint)	G225-63-930
2 Midg, Lower Reveal	Chrome G225-50-6K0 Black G284-50-6K0
3 Midg, Side Reveal	R/L G225-50-612-3 Chrome Black R/L G284-50-612-3
*Included w/Rear Gate Glass Assy	
4 Weatherstrip	GA7B-50-899
5 Moulding Assy, Upper Reveal Chrome Black	8AG2-50-611 8AG6-50-611
6 Clip, Midg (a) (4) (a) Included w/Upper Reveal Moulding Assy	B092-50-918
7 Clip, Upper Midg (6) To 9-1-87 From 9-1-87	B092-50-609 B092-50-919
8 Midg, Upper Corner Chrome Black	R G225-50-6HY L G225-50-6JY R GM66-50-6HY L GM66-50-6JY
9 Gskt, Corner Midg	R G225-50-6H1 L G225-50-6H2
10 Clip, Window (4)	G225-50-838

WIPER SYSTEM



1 Blade Assy, Wiper	FB02-67-330
2 Insert, Wiper	GABA-67-331B
*Included w/Wiper Blade Assy	
3 Arm, Wiper	G226-67-421A
4 Motor, Wiper	G226-67-450A
5 Reservoir Assy, Washer	G226-67-480
6 Tank, Washer	G226-67-481
7 Cap, Tank	G226-67-483
8 Pump, Washer	8532-76-672
*Included w/Washer Reservoir Assy	
9 Bracket, Reservoir	G226-67-521
10 Nozzle, Spray	B163-67-510

MAZDA 626 1988-92

REAR SUSPENSION

2WS

035-01689

- Drum, Brake
- Rotor, Brake
- Plate, Backing
- Shield, Splash
- Calliper, Brake

Hose, Brake
*Order by Application

Spindle, Hub

- Disc Brakes w/ABS
- Disc Brakes w/o ABS
- Bearing
- Circlip
- Seal, Bearing
- Rotor, ABS Sensor
- Sensor, ABS Wheel

035-01690

- Strut
- Spring, Coil
- Stopper, Bumper
- Cover, Lever
- Seat, Spring
- Upper
- Lower
- Pad, Seat
- Actuator, Upper (a)
- Casing, Actuator (a)
- Link, Front Lateral
- Link, Rear Lateral
- Link, Trailing
- Crossmember
- Support, Crossmember
- Rod, Performance-Not Applicable
- Bracket, Muffler
- Bar, Stabilizer
- Bushing, Bar
- Bracket, Bar
- Upper Strut Bar-Not Applicable
- Strut Plate-Not Applicable

4WS

035-01691

- Rotor, Brake
- Plate, Backing
- Calliper, Brake

Hose, Brake
*Order by Application

Spindle, Hub

- Bearing
- Circlip
- Seal, Bearing
- Rotor, ABS Sensor
- Sensor, ABS Wheel

035-01692

- Strut
- Spring, Coil
- Pad, Spring Upper
- Pad, Spring Lower
- Stopper, Bumper
- Cover, Lever
- Seat, Spring
- Seat, Rubber Upper
- Arm, Lower
- Link, Trailing
- Bushing, Link (2/Side)
- Crossmember
- Protector, Xmbr
- Bar, Stabilizer
- Link, Bar
- Bushing, Bar
- Bracket, Bushing
- Bracket, Bar
- Strut, Bar
- Plate, Strut

REAR STEERING LINKAGE/GEAR

Illustration Located in Next Column

- Gear Assy
- Rod Assy, Mechanism Control
- Rod, Piston
- Gear, Worm
- Ball Joint Set
- Filler, Control Box
- Pipe, Upper
- Pipe, Lower
- Motor, Stepping Control

035-01693

- Cover, Cont Box
- Gskt, Cont Box
- Joint, Universal
- Boot, Shaft
- Shaft Assy, Connecting
- Support, Front Shaft
- Support, Rear Shaft
- Boot, Rack
- Boot, Dust
- Protector, Connecting Shaft
- Protector, Gear Assy

FUEL TANK

035-01232

- Tank, Fuel
- Cap Assy, Filler
- Pipe Assy, Filler
- Gauge, Tank Unit
- Pump Assy, Fuel

REAR BODY SHEET METAL

Illustration Located in Next Column

- Panel, Rear End
- Ext, Rear End Panel

MAZDA 626 1988-92

35-752

- 5 Door
 - L G211-71-405A
 - R G225-70-405A
 - L G225-71-405A
- 3 Bracket, Lamp
 - 4 Door
 - R G211-70-490A
 - L G211-71-490A
 - 5 Door
 - R G225-70-490
 - L G225-71-490
- 4 Panel, Package Tray[¶] 88-89 GJ29-70-500B
90-92 G211-70-500B
- 5 Joint, Package Tray[¶] R/L G211-70-180A
[¶]For 4 Door Only

035-01234

- 6 Crossmember, Upper G211-53-910
- 7 Crossmember, Center Pan
 - 2WS GJ21-53-900B
 - 4WS G238-53-900
- 8 Pan Assy, Rear Floor GJ21-53-710
- 9 Pan, Rear Floor (a) GJ21-53-750B
(a) Included w/Rear Floor Pan Assy
- 10 Crossmember, Rear Pan
 - 2WS GJ21-53-920C
 - 4WS G238-53-920
- 11 Frame, Rear Side
 - 1988-89
 - 2WS R GJ29-53-810C
 - L GJ29-54-810D
 - 4WS R GK83-53-810
 - L GK83-54-810
 - 1990-92
 - USA Built
 - R GJ29-53-810C
 - L GJ29-54-810D
 - Japan Built
 - R GJ29-53-810C
 - L GJ29-54-810D
- 12 Panel, Floor Side
 - 2WS R GJ21-53-730B
 - L GJ21-54-730D
 - 4WS R GJ21-53-730B
 - L G238-54-730C
- 13 Crossmember, Rear GJ21-53-980C

INTERIOR TRIM

035-03729

- 1 Trim, Rear End[¶]
 - 1988-89
 - DX Model G211-68-890-96
 - LX Model G212-68-890-96
 - 1990-92
 - DX Model GN81-68-890-96
 - LX Model GN82-68-890-96
- 2 Trim Assy, Package Tray[¶] (a)
 - 1988-89 GJ29-68-310D-96
 - 1990-92 GN52-68-310C-96
- 3 Grille, Extractor[¶] (a) R/L GJ21-68-312-96
- 4 Cover, Hole[¶] (a) 88-89 R/L G116-68-324

- 5 Vessel, Seat Belt[¶] (a) 90-92 R/L GJ29-68-381-96
[¶]Gray listed, Order by Application
(a) Included w/Package Tray Trim Assy
- 6 Speaker, Radio
 - w/CD Player R/L 0000-81-6142-01
 - w/o CD Player R/L 0000-81-5818-01
- 7 Grille, Speaker[¶] R/L GN51-68-980B-98
[¶]Gray listed, Order by Application

REAR LAMPS

COMBINATION LAMP ON REAR BODY 4 DOOR

35-754

- 1 Lamp Assy, Combination 88-89 R 8BGK-51-150
90-92 R 8BGK-51-160
88-89 R 8DG8-51-150
L 8DG8-51-160
- 2 Lens & Body Assy[¶] 88-89 R GJ29-51-170
L GJ29-51-180
90-92 R GN51-51-170
L GN51-51-180
- 3 Lens[¶] (a) 88-89 R GJ29-51-151
L GJ29-51-180
90-92 R GN51-51-170
L GN51-51-161
(a) Included w/Lens & Body Assy
- 4 Panel, Socket[¶] R GJ29-51-155
L GJ29-51-165
- 5 Moulding, Lamp[¶] R G211-51-166
L G211-51-167
- 6 Protector, Side[¶] R G211-51-159
L G211-51-169
[¶]Included w/Combination Lamp Assy
Extension, Rear End Panel
-See Rear Body Section

COMBINATION LAMP ON REAR BODY 5 DOOR

35-755

- 1 Lamp Assy, Combination 88-89 R 8BGL-51-150B
8BGL-51-160B
90-91 R 8DG9-51-150
8DG9-51-160
- 2 Lens & Body Assy[¶] 88-89 R GJ37-51-170C
L GJ37-51-180C
90 R GN70-51-170
L GN70-51-180
- 3 Lens[¶] (a) 88-89 R GJ37-51-151B
L GJ37-51-161B
90-91 R GN70-51-151
L GN70-51-161
(a) Included w/Lens & Body Assy
- 4 Panel, Socket[¶] 88-89 R GJ37-51-155
L GJ37-51-165
90-91 R GN70-51-155
L GN70-51-165
- Bulb, Signal[¶] R/L 0000-11-0168
- Bulb, Back-Up[¶] R/L 0000-11-1156

- Bulb, Tail/Stop[¶] R/L 0000-11-1157
- 5 Moulding, Lamp[¶] R G226-51-166
L G226-51-166
- 6 Protector, Side[¶] R G226-51-169
L G226-51-169
- 7 Cover[¶] R G225-51-167
L G225-51-167
- 8 Protector, Cover[¶] 88-89 R/L G225-51-173A
90-91 R G225-51-158
L G225-51-168
[¶]Included w/Combination Lamp Assy
Extension, Rear End Panel
-See Rear Body Section

COMBINATION LAMP ON DECK LID 4 DOOR

035-01695

- 1 Lamp Assy, Combination 88-89 8BG2-51-390
90-92 8BGE-51-390
- 2 Lens & Housing Assy[¶] 88-89 GJ29-51-39X
90-92 GN51-51-39X
- 3 Lens[¶] (a) 88-89 GJ29-51-3B2
90-92 GN51-51-3B2
Center
88-89 R GJ29-51-3A5
L GJ29-51-3B5
90-92 R GN51-51-3A5
L GN51-51-3B5
- 4 Protector, Lamp[¶] (a) R/L G225-51-3A3
(a) Included w/Lens & Housing Assy
- 5 Gasket, Lamp[¶] 88-89 R/L G225-51-388
90-92 R/L G211-51-388
- 6 Socket w/Wire[¶] R/L GJ29-51-367
- 7 Bulb[¶] R/L 0000-11-1157
- 8 Cap[¶] 88-89 R/L GJ21-51-389
- 9 Fastener, Lamp[¶] 1988-89 (2/Side) R/L B232-51-PJ5A
1990-92 R/L G118-50-857A
- 10 Collar, Lamp[¶] R/L G225-51-3A4
[¶]Included w/Combination Lamp Assy
- 11 Panel, Outer Finish-See Luggage Lid Section

COMBINATION LAMP ON DECK LID 5 DOOR

35-757

- 1 Lamp Assy, Combination 88-89 8BG6-51-390
90-91 8BGP-51-390
- 2 Lens & Housing Assy[¶] 88-89 G225-51-39XB
90-91 GN70-51-3H0
- 3 Lens[¶] (a) GN70-51-3H1
(a) Included w/Lens & Housing Assy
- 4 Protector[¶] G225-51-3A3
- 5 Gasket, Lamp[¶] G225-51-388
- 6 Moulding, Lamp[¶] R/L G225-51-381-2
[¶]Included w/Combination Lamp Assy
- 7 Panel, Outer Finish-See Rear/Liftgate Section

HIGH MOUNT STOP LAMP ON PACKAGE TRAY 4 DOOR

Illustration Located in Next Column

- 1 Lamp Assy, Stop[¶] GJ29-51-580A-48
- 2 Lens Unit[¶] (a) GJ29-51-583-48
- 3 Cover[¶] (a) GJ29-51-587-48
[¶]Blue listed, Order by Application
19 Red; 43 Beige; 48 Blue; 71 Taupe; 96 Dark Gray