



PORTABLE AIR CONDITIONER OWNER'S MANUAL



■ MODEL

- LS-8PAC
- LS-10PAC
- LS-12PAC

SY103Eng

Introduction

This Instruction Manual is universal for portable air conditioners manufactured by lifesmart. The appearance of your unit might be slightly different than the one described in this manual. Operation and usage of your air conditioner should not vary. In order to ensure your safety, Please carefully read the sections that correspond with your unit. Also, keep the manual in a safe place for future reference.

Warning:

- (1) This appliance is not intended for use by children or invalid persons without supervision.
- (2) The plug should be accessible after installation of the device.
- (3) Do not install unit in laundry room.
- (4) Do not use if power cord is damaged.
- (5) Please wait three minutes before restarting unit after a power outage.
- (6) The unit needs a minimum clearance of three feet from any combustible materials.



WARNING

This symbol refers to a hazard or unsafe practice which can result in severe personal injury or death.



CAUTION

This symbol refers to a hazard or unsafe practice which can result in personal injury or product or property damage.

Table of Contents:

Introduction	1
Parts	2
Control Panel	3
Remote Control	5
Water Drainage	7
Maintenance/Service	8
Safety	10
Troubleshooting	11
Installation	12
Warranty	16

INTRODUCTION

PORTABLE AIR CONDITIONER

This Portable Air Conditioner is a small size appliance that has multiple functions. Some functions of this unit are that it can adjust the temperature and humidity in a room, cool, dehumidify, and fan. The unit was designed to be used in home and office environments with a compact design compared to others.

Other air conditioning patterns are recommended when the ambient temperature is either below 18°C(65°F) or above 35°C(95°F).

ATTENTION

Please read this instruction manual carefully to get optimum usage from your unit.

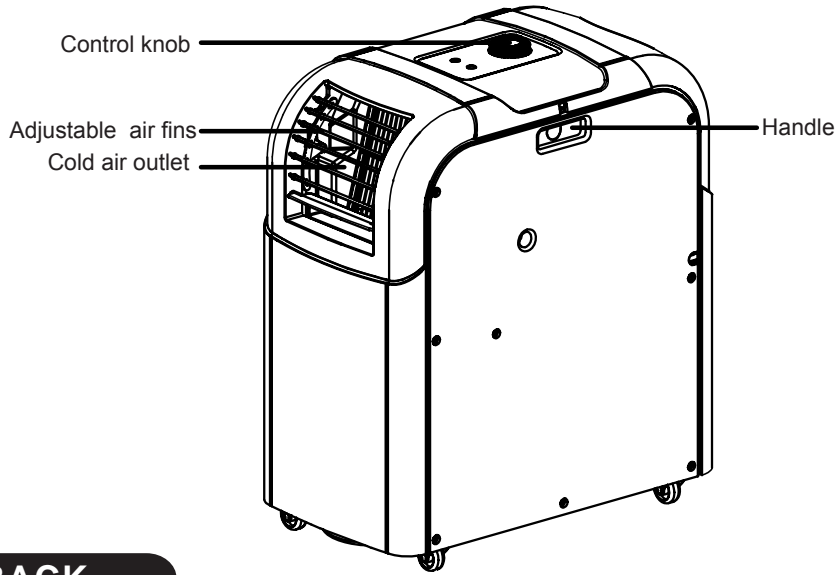
This instruction manual is used for guidance and does not form part of a contract. We reserve the right to make technical changes without prior notice.



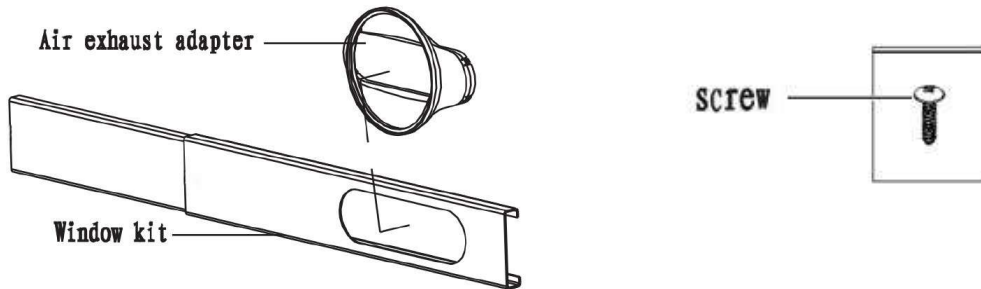
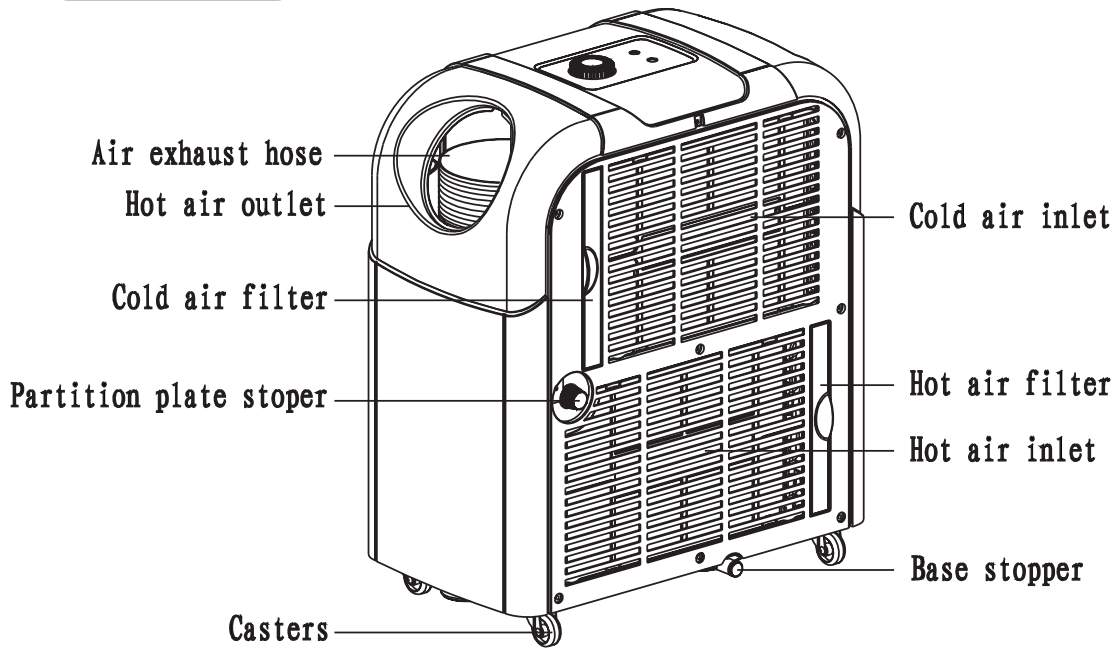
There might be some water saved on the bottom of the base. Please push the Air Conditioner gently and cautiously to prevent water from splashing out.

PARTS

FRONT



BACK

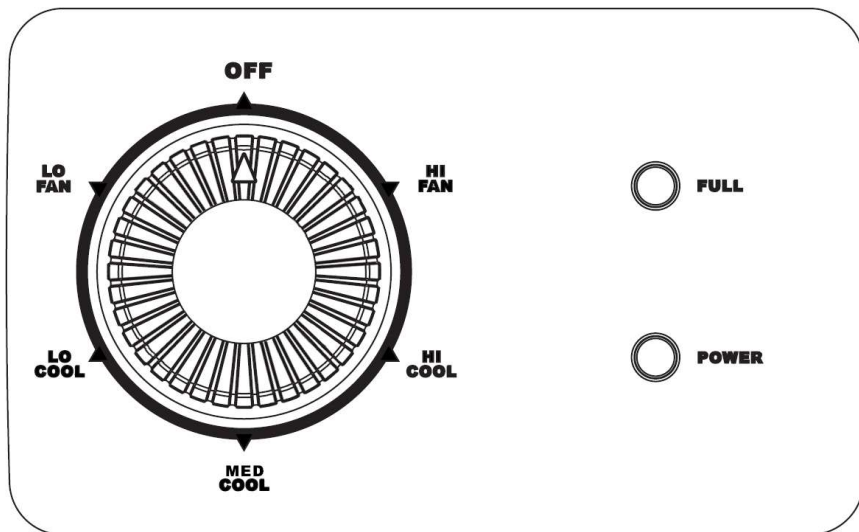


Note: Features and appearance may vary depending on your air conditioner model.

CONTROL PANEL

CONTROL PANEL 1

Before you insert the plug, please make sure the knob is turned to the "OFF" position.



OFF: When the knob is turned to "OFF", the air conditioner will stop operation.

LO FAN: When the knob is turned to "LO FAN", the air conditioner will be in low fan operation mode to delivery weak airflow.

HI FAN: When the knob is turned to "HI FAN", the air conditioner will be in high fan operation mode to delivery strong airflow.

LO COOL: When the knob is turned to "LO COOL", the air conditioner will be in low cooling operation mode to delivery weak airflow.

MED COOL: When the knob is turned to "MED COOL", the air conditioner will be in medium cooling operation mode to delivery medium airflow.

HI COOL: When the knob is turned to "HI COOL", the air conditioner will be in high cooling operation mode to delivery strong airflow.

Power: When the compressor is working, the "POWER" lamp will illuminate.

FULL: When the internal water tank is full, the "FULL" lamp will illuminate and the unit will stop running until the tank is emptied.

POWER SOURCE



Before you insert the plug, please make sure the knob is turned to "OFF".

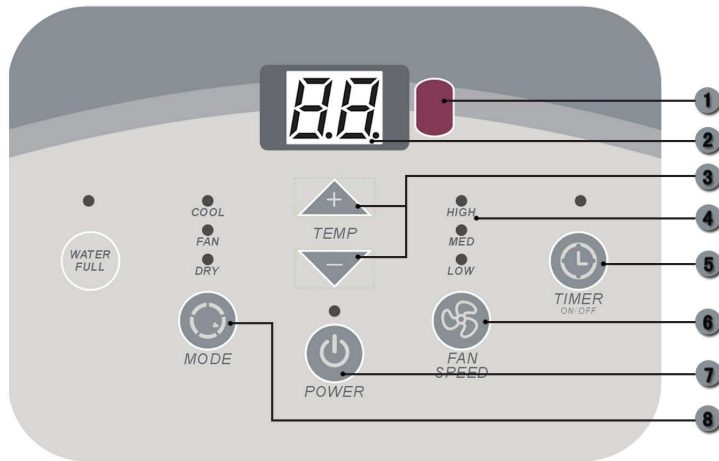
*The AC socket must be firm and reliable.

*Do not connect portable air conditioner to a power strip/surge protector, or extension cord.

CONTROL PANEL

CONTROL PANEL 2

Note: Features and appearance may vary depending on your air conditioner model.



① REMOTE CONTROLLER SIGNAL RECEIVER

② DIGITAL DISPLAYER

FAN Mode: Indicates room temperature.

COOL or DRY Mode: Indicates setting the temperature.

TIMER Operation: When pressing the TIMER button, this indicates timer time.

If the time has not been adjusted, after 5 seconds the temperature will appear.

ROOM TEMP SENSOR Failure: Display indicates temperature at 77F/25C.

③ TEMP button

Press this button to adjust setting the temperature within the range of 63F/17C to 88F/31C.

When in the TIMER mode (press and release the TIMER button to enter this status) use

TEMP + or - buttons to set the TIMER time range between 1-12 hours.

④ UNIT INDICATION button

When selected the corresponding operation mode or fan speed, or the water full, the light will be on.

⑤ TIMER button

The TIMER has two modes Switch-ON and Switch-OFF. If the unit is running, pressing the timer button will enter you into the Switch-OFF mode. If the unit is off, pressing the timer button will enter you into Switch-ON mode. Pressing this button again will cancel the timer option. To set the TIMER time use the + or - buttons accordingly. The time can be set between 1-12 hours.

⑥ FAN SPEED button

Press this button to set the air speed you desire: High/Low/Med.

⑦ POWER button

To turn the air conditioner ON, press the button and the power indicator will light.

To turn the air conditioner OFF, press the button again.

⑧ MODE button

Allows you to choose between the operation modes: COOL, DRY, FAN, HEAT (heat for the cooling and heating model).

REMOTE CONTROL

1. **Set temperature indicator**

2. **Fan speed indicator**

3. **Lock/Hold key indicator**

4. **Present time indicator**

5. **+/- button**

Increase or decrease the room temperature or set the timer duration after pressing the timer button.

6. **On/off button**

Turn the unit on or stop operation and turn the unit off.

7. **Hour button**

Set the hour on the unit clock by pressing and holding this button, then pressing the minute button repeatedly to the correct time.

8. **Min button**

Set the minutes on the unit clock by pressing and holding this button, then pressing the minute button repeatedly to the correct time.

9. **Hold button**

Press this button to lock or unlock the keypad and prevent undesired changes to the room temperature and unit settings.

10. **Fan speed**

Press this button repeatedly to change the unit fan speed between high, medium, or low air output.

11. **Timer button**

Press this button while the unit is running to program a shutdown time set using the up and down arrow buttons.

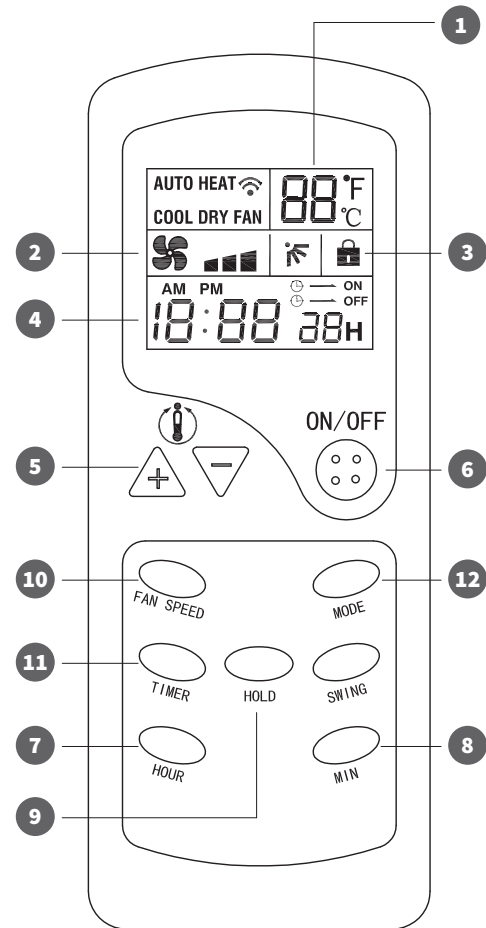
Press this button while the unit is in standby mode to program a startup time set using the up and down arrow buttons.

12. **Mode button**

Press this button repeatedly to alternate between cooling, drying, heating, and fan operating modes.

13. **Mode indicator**

Displays the unit's current operating mode.



NOTE: Due to the universal nature of the remote control for all of our air conditioner units, certain remote control functions may not correspond to your particular unit.

REMOTE CONTROL

PRESENT TIME SETTING PROCEDURE

When cells are inserted, under the timer operation has not been set, do it as following procedure, EX: set to AM:10:30.

1	Continually press the HOUR button about 2 seconds. The time indicator is flickering and can set the HOUR time.
2	Press the HOUR button. (Set to AM 10:)
3	Press the MIN button. (Set to 30)
4	Press the ON/OFF button to confirm the set time or it would automatically exit the time setting state after 15 seconds.

METHOD OF TRANSMISSION

- * Point the remote controller at the air conditioner and press the button on the controller. The instruction signal will be transmitted to the air conditioner.
- * Upon receiving the signal from the remote controller, the air conditioner will make a beep sound in acknowledgment.

CAUTION

- * Do not place the remote in high temperatures, or directly exposed to sunlight.
- * Do not drop the remote.
- * Do not have any objects obstructing the remote sensor from communicating with the air conditioner.
- * Do not place heavy objects on the remote.
- * Do not drop in water or other liquids.
- * If the remote is not functioning, replace the batteries.

REPLACEMENT OF BATTERIES

If the signal is transmitted from the remote to the air conditioner, and there is no acknowledgement, please replace the batteries.

1. Remove the batteries by sliding the case cover open as the arrow indicates on the back.
2. Replace with new batteries and pay attention to the "+" and "-" marks of pole indications.
3. Close the back cover.

NOTE: The timer is set on the basis of the present time. So set the present time correctly.

WATER DRAINAGE

Water Drainage:

The air conditioner evaporates condensed water and discharges the moisture through the hot air outlet.

In some cases it is possible that all water did not evaporate and the internal water tank can be full. If this is the case, the WATER FULL light will illuminate and the unit will stop running. Follow the steps to drain the water.

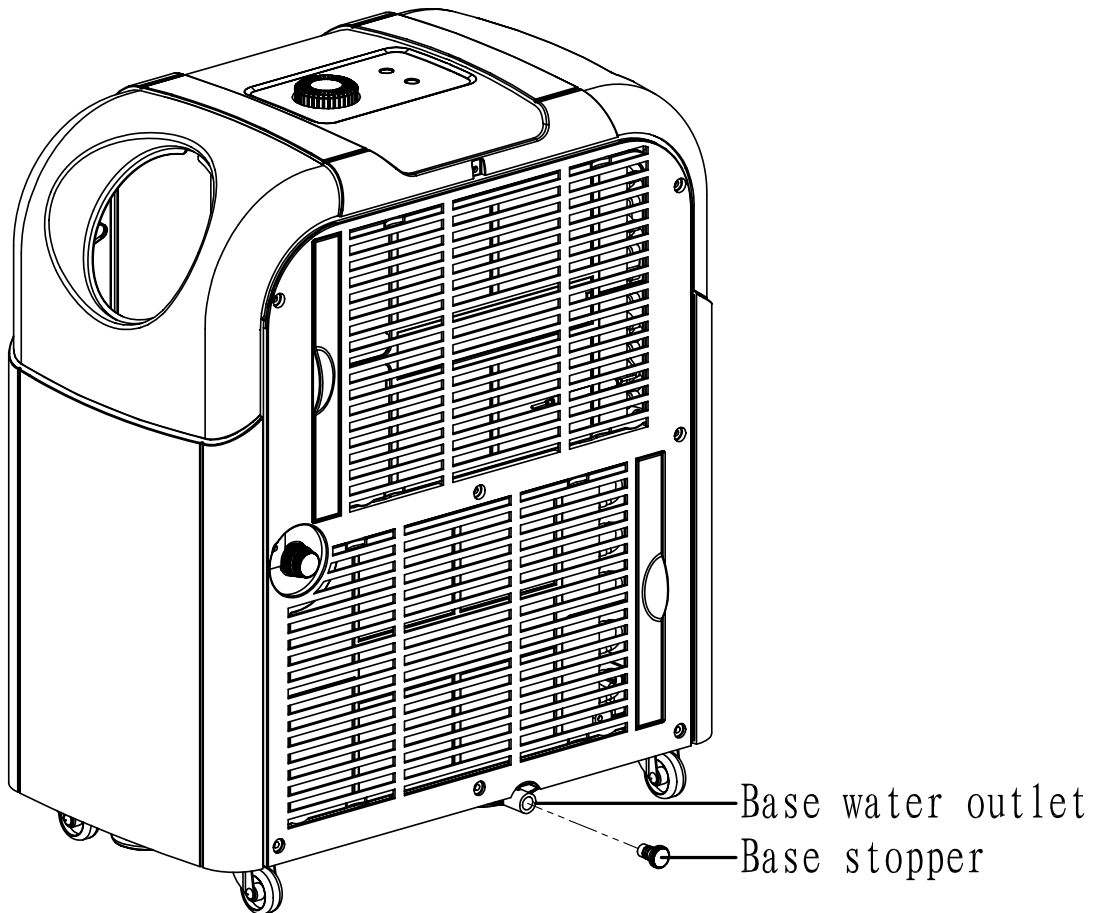
*Power off then unplug the air conditioner, disconnect the exhaust hose from the back, and move the unit to a suitable drain location or outdoors.

*Remove the base stopper from the base water outlet to drain water.

*Once the internal water tank is drained. Reinstall the base stopper and make sure it is on securely.

*Place the air conditioner in the desired location, reconnect the exhaust hose, and plug in the air conditioner.

NOTE: When the WATER FULL indicator light illuminates, there is approximately 1.5L of water in the water tank.

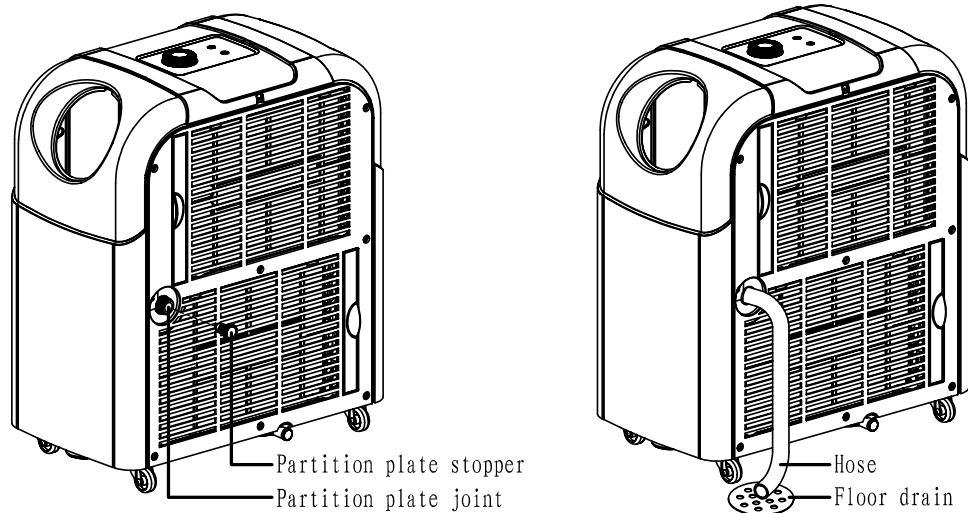


MAINTENANCE/SERVICE

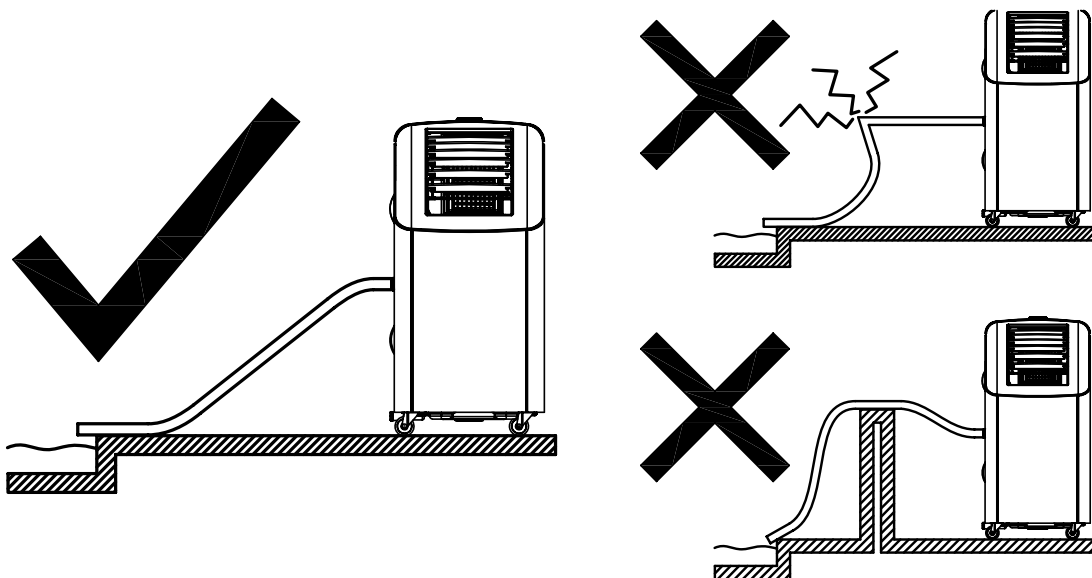
Continuous Drainage

In a high humidity environment, if possible the user can have a continuous drainage. This can reduce the number of times you have to pour out water. Condensation is discharged by gravity through a hose (not provided). Of course, this method will reduce the efficiency of the unit.

- a) Pull out the partition plate stopper.
- b) Connecting the hose to partition plate joint and lead it to the floor drain or a suitable area for draining the condensate.



When using the continuous drainage function, the hose must be placed horizontally below the drainage hole. Avoid folding the hose or placing it on an uneven surface.



MAINTENANCE/SERVICE



WARNING

*Pull the plug out of the socket before cleaning.

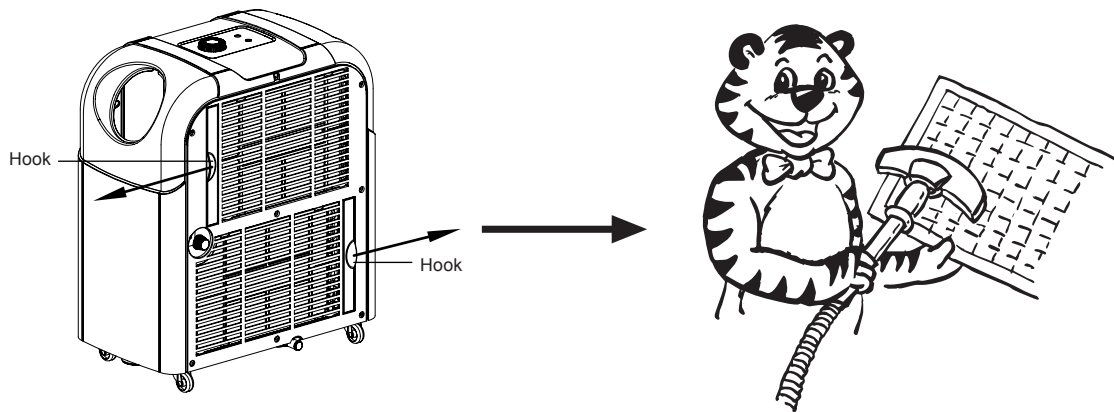
*To prevent accidents caused by electrical shock, make sure there is no power to the unit before beginning maintenance or repair.

CLEANING OF AIR FILTER

If the air filter is blocked, the air flow volume will reduce. Clean the filter once every two weeks.

Open and clean the air filter

1. Directly grasp the hook on the bottom to remove the air filters with the direction of the arrow.
2. Wash the air filter gently with warm water and soap.
3. Rinse the filter and let it air dry.
4. Install the air filter back to its original place.



CLEANING OF AIR CONDITIONER

Clean the surface of the unit with a damp cloth, then dry using a duster or similar.



CAUTION

Do not use chemical solvent to clean the surface of the unit, This can cause damage, deformation, or scratches to the exterior.

PRIOR TO OPERATION SEASONS

1. Check to see if the air inlets and outlets of the unit are blocked.
2. Check to see if the partition plate stopper and the base stopper are installed accurately.
3. Make sure that air filter is properly in place before operating the machine. If the machine is operated with air filter removed, dust and foreign objects will result in faulty performance of the air conditioner.

MAINTENANCE/SERVICE

AFTER THE OPERATIONAL SEASON

1. Turn off the air conditioner and disconnect the power source.
2. Properly maintain the air filter and other parts.
3. Open the partition plate stopper and the base stopper to drain out the water of the partition plate and the base. Operate the unit in fan mode for half an hour to make sure the partition plate and the base is dry.
4. Please use a plastic sheet to cover the unit to prevent dust or filth from entering the unit.

SAFETY

CAUTION



- * Do not use the unit in narrow rooms.
- * Avoid direct sunlight to the unit.
- * Do not use the unit in water or near water to avoid electrical shock.
- * Do not use near gas, fires, or flammable liquids.
- * Keep three feet around the unit to avoid overheating, and electromagnetic interference.

WARNING



- * Do not use a damaged or improper AC socket.
- * When unplugging the unit, hold the power plug securely and pull it out carefully.
- * Do not use extension cord.
- * Do not toggle over or incline, If the unit does toggle please call lifesmart technical support at 1-866-484-2066.
- * Do not spray with insecticide or other chemicals as the plastic case may get damaged or deformed.

TROUBLESHOOTING

Before calling lifsmart technical support, please check the following.

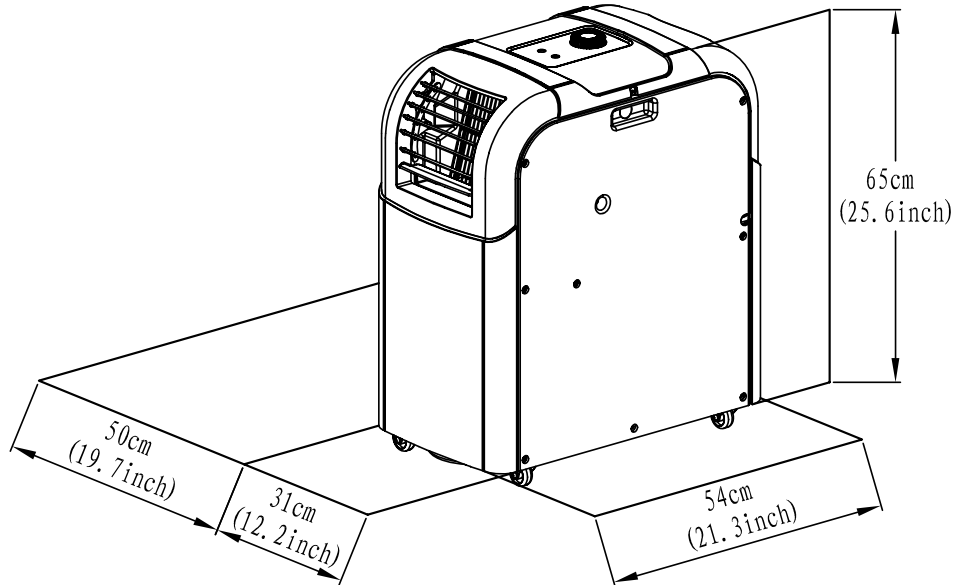
Trouble	Check	Action
Air conditioner does not operate at all	<ul style="list-style-type: none"> *Is there power? *Is it plugged in? *Did the fuse or circuit breaker switch off? *The WATER FULL light is illuminated. 	<ul style="list-style-type: none"> *It is normal *Push the plug into the wall socket *Reset the circuit breaker or move it to the on position *Discharge the condensed water from the base water outlet
Cooling efficiency is not good	<ul style="list-style-type: none"> *Is the air inlet or outlet blocked? *Is there any other heat source in room? *Are the air filters dirty? *Is indoor fan speed set at low? 	<ul style="list-style-type: none"> *Clear the path(s) *Move the heat source *Clean the air filter *Set suitable fan speed
Too noise and/or vibration	<ul style="list-style-type: none"> *It is the inner liquid (refrigerant) flowing inside. *Is the unit leveled? 	<ul style="list-style-type: none"> *It is normal *Place it in a horizontal floor
The machine starts and stops frequently	<ul style="list-style-type: none"> *Is the voltage of the power source normal? *Is the air exhaust fixed rightly or be bended? *Did you add an air exhaust? 	<ul style="list-style-type: none"> *Make sure their is a strong/good power source *Make sure the air exhaust is horizontal. *Do not add your own air exhaust, please remove it.
Condensed water spills out when moving the unit	<ul style="list-style-type: none"> * The base tank is nearly full? 	<ul style="list-style-type: none"> *Discharge the condensed water from the base water outlet

For further support or questions please call lifsmart technical support at 1-866-484-2066 (USA) or 214-614-2509 (Canada).

INSTALLATION

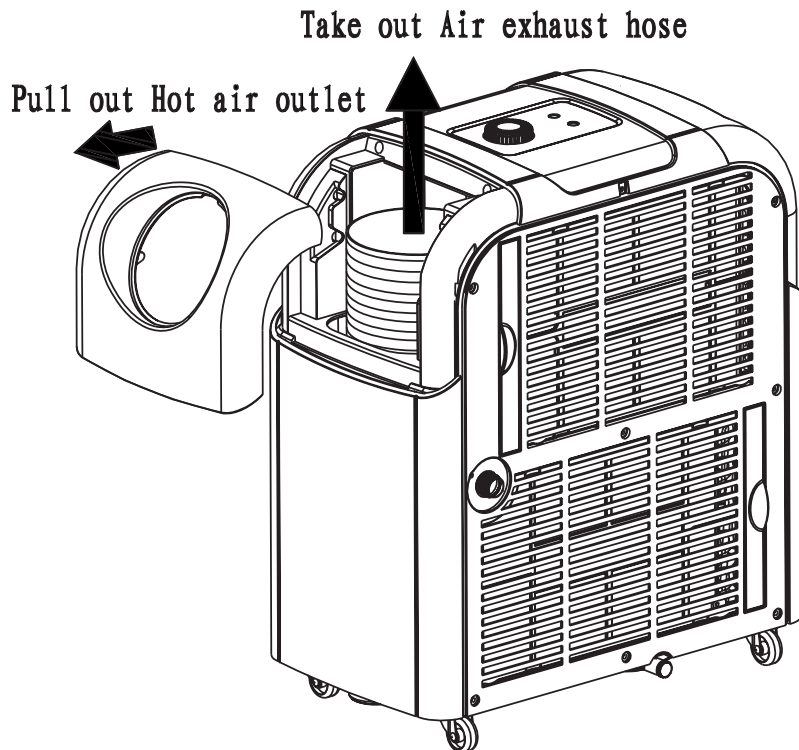
Installation location

Put the portable air conditioner in a flat location where the air outlets cannot be obstructed. Make sure the unit has 3 ft around it for airflow.



Installation and Uninstallation of the Air Exhaust Hose

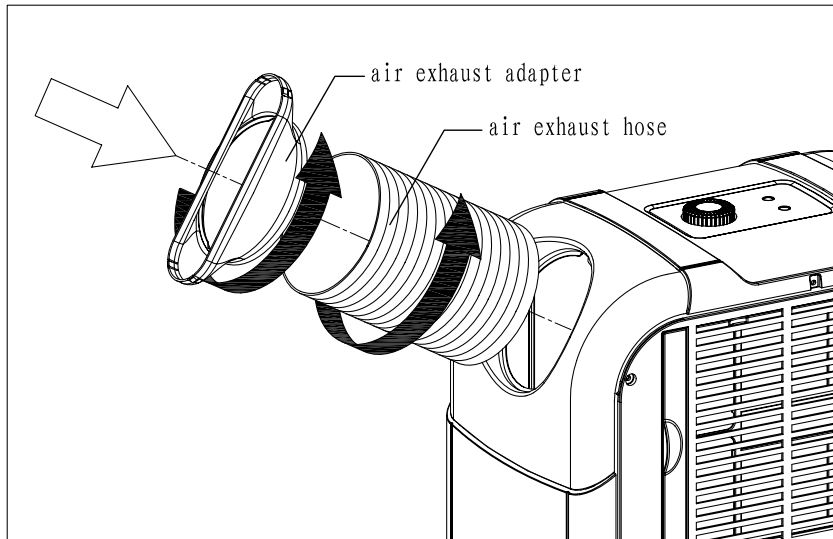
See the figure below, First the user must take out the the hose.



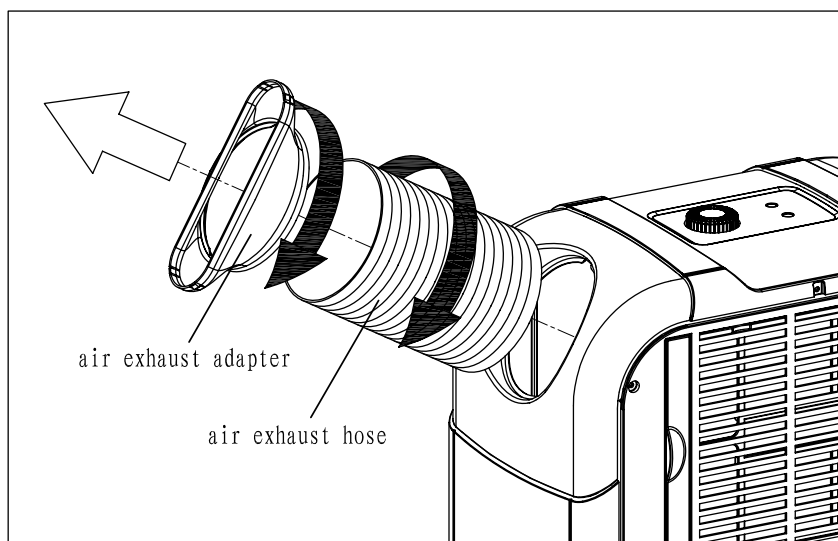
INSTALLATION

Installation and Uninstallation of the Air Exhaust Hose

Installation: See the figure below. Attach the air exhaust adapter into the air exhaust hose (Use the arrows for direction). Then attach the air exhaust hose into the air conditioner.



Uninstallation: See the figure below. detach the air exhaust adapter into the air exhaust hose (Use the arrows for direction). Then detach the air exhaust hose into the air conditioner.

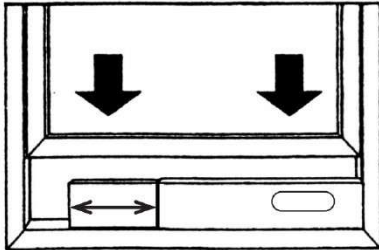


INSTALLATION

Window Kit Installation

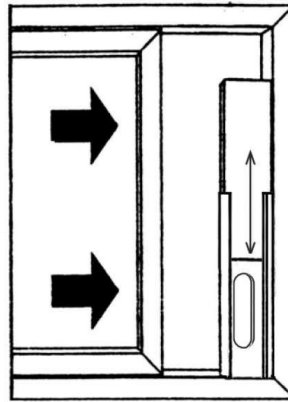
Your window kit has been designed to fit most standard "vertical" and "horizontal" window applications. However, it may be necessary for you to improvise/modify some aspects of the installation procedures for certain types of windows.

See the figure below,



Horizontal window

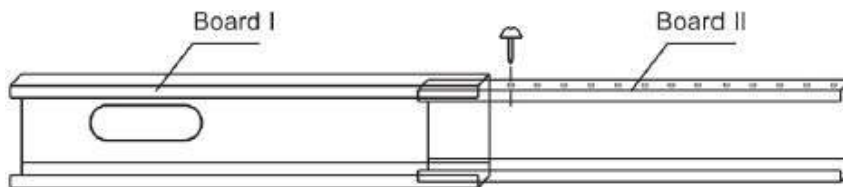
Window slider kit
Minimum:27-1/2"(70cm)
Maximum:48(122cm)



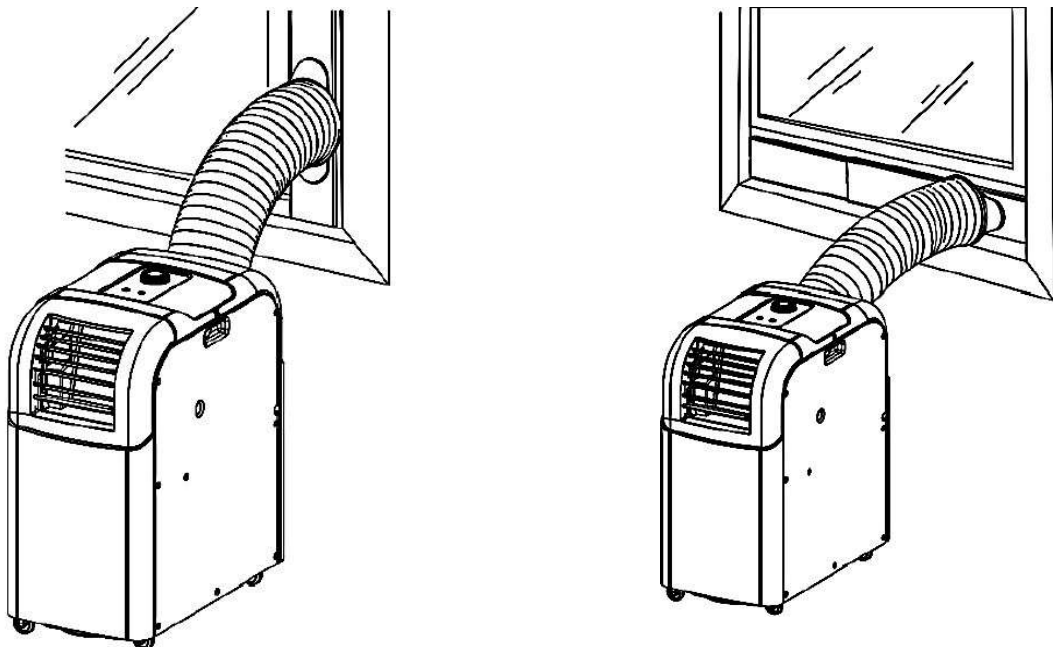
Vertical window

Window slider kit
Minimum:27-1/2"(70cm)
Maximum:48(122cm)

Instructions: Use one screw to fix installation board II in place.



See the figure below, install the air exhaust adapter to window kit

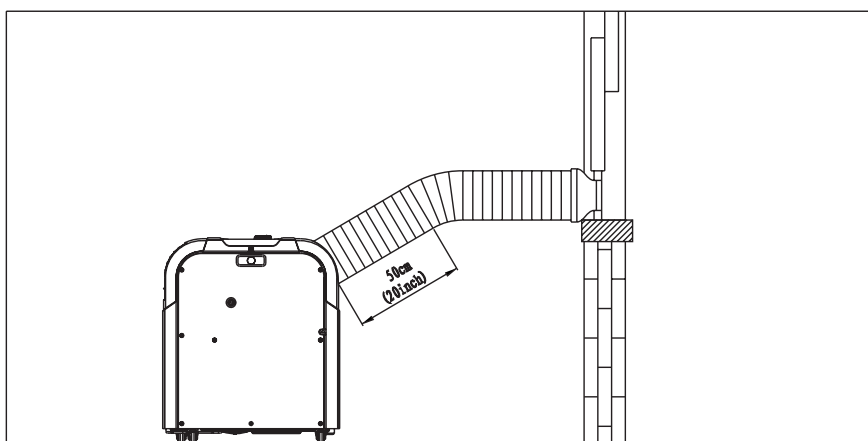


INSTALLATION

Air Exhaust Hose Mounting Method

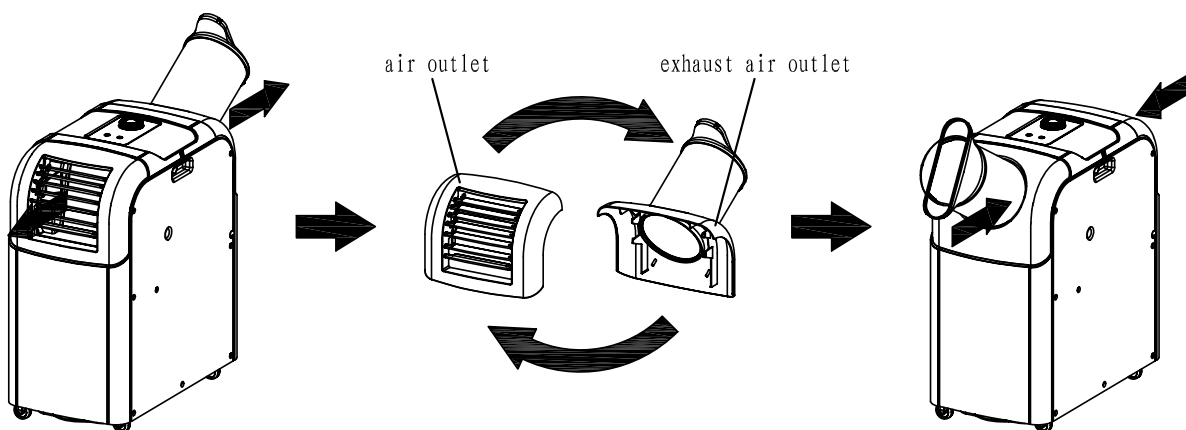
The air exhaust hose is 20 cm - 160 cm in length. It is suggested that the hose be as short as possible to achieve maximum efficiency. If you need to extend the hose, please use the previous mounting method instructions:

1. Try to avoid bending the hose.
2. Try to avoid bending the hose near the exhaust air outlet (if you need to bend the hose, the bending point should be at least 50 cm away from the exhaust air intake).
3. Keep the smoothness of the whole air exhaust hose, especially in the bending points. Avoid any abrupt steep-angled bendings.



Interchangeable Air Outlet/Exhaust Air Outlet Function

See the figure below. Remove the air outlet and the exhaust air outlet respectively, interchange their location, install to the unit.



Through the above method, cooling air can be blown to the outdoor or other desired place. No matter what the connection mode, other air conditioning patterns are recommended when ambient temperature is either below 18°C (65°F) or above 35°C (95°F)

ONE YEAR LIMITED WARRANTY

The manufacturer warrants this unit against defects in materials and workmanship on functional parts, for a period of 1 year from the original date of purchase. Your sales receipt showing the date of purchase of the product is your proof of purchase. Keep it in a safe place for future reference.

This product is made with the highest quality materials and is warranted to be free from defects in materials and workmanship at the time of purchase. This limited warranty applies to products manufactured or distributed by the manufacturer, are delivered in the continental United States, and extends to the original purchaser, or gift recipient. This warranty becomes valid at the time of purchase and terminates either by the specified time frame listed above and/or owner transfer. Any refunds or monetary compensations must be claimed through the place of purchase (retailer), and not through the manufacturer. Any extended warranties (warranties that cover above and beyond this manufacturer warranty) that are sold through a retailer or third party, are not directly correlated with this products* limited warranty, and may be redirected to said retailer or third party for coverage.

This warranty extends through the manufacturer of the product, and covers functional parts only. Cosmetics are not covered, unless unequivocally determined it is a workmanship defect. Shipping damage should be addressed with the shipping company, retailer, or place of purchase, not the manufacturer unless the manufacturer was the direct shipper.

The manufacturer* sole obligation under this warranty shall be limited to furnishing the original purchaser replacement parts for units deemed repairable by the supplier* warranty department. The purchaser is responsible for insuring any parts shipped or returned, if desired. The purchaser is responsible to prepay any shipping charges (both ways) including, but not limited to taxes and duties. All exchanged parts and products replaced under this warranty will become the property of manufacturer. The manufacturer reserves the right to change manufacturers of replacement parts or products for use, in order to cover any existing warranty.

The purchaser may be asked to provide the supplier with proof of purchase documents (including the date of purchase) if requested. Any evidence of alteration, erasing, or forgery of proof of purchase documents will be just cause to VOID this limited warranty. Products, in which the serial number has been defaced or removed, are not eligible for warranty coverage.

This warranty does not apply if the unit has been subject to negligence, fabrication, misuse, abuse, or repairs, alteration by non-manufacturer authorized personnel, inappropriate installations, or any case beyond the control of the manufacturer. Examples of warranty invalidation may also include, but are not limited to:

- Use of lacquer or paints in (and around) the unit
- Electrical requirement deficiencies (15-20 amp dedicated outlet)
- Use on extension cords/timers/surge protectors/GFCI
- Outdoor applications
- Normal wear/tear/weathering
- Pet/consumer accidents

The manufacturer shall not be liable for any loss due to use (or misuse) of the unit or other incidental or consequential costs, expense or damages without irrefutable foundations. Under no circumstances shall the manufacturer or any of its representatives be held liable for injury to any person or damage to any property, however arising. Any implied warranty shall have duration equal of the applicable warranty stated above. Specifications are subject to change without notice or obligation.

This limited warranty gives the original purchaser specific legal rights. Other rights may vary from state to state.

