

*i*FOG

I-180 FOG MACHINE USER MANUAL



CONFORMS TO
UL STD.998

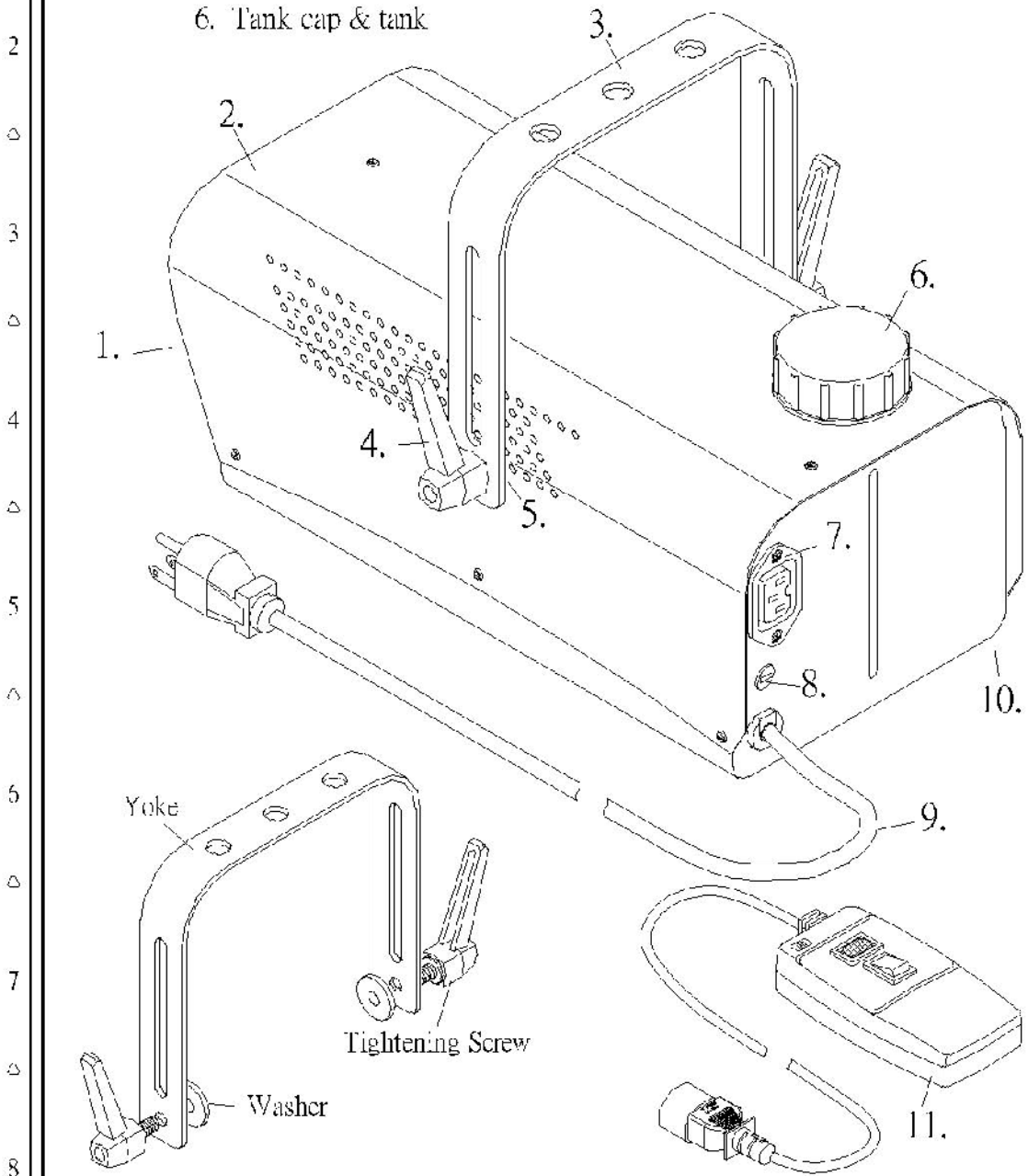
CERTIFIED TO
CSA STD.C22
NO.104



English

I-180 EXTERNAL VIEW :

- | | |
|---------------------|--------------------|
| 1. Nozzle | 7. Control socket |
| 2. Body | 8. Fuse holder |
| 3. Yoke | 9. Power cord |
| 4. Tightening screw | 10. Foot |
| 5. Washer | 11. Remote control |
| 6. Tank cap & tank | |



Antari Fog Machine
 Antari Lighting And Effects Ltd.

DesNo.: HP MU3011, By 1987.



Thank you for choosing the I-180. You now own a rugged and powerful state-of-the-art machine. Prior to use, we suggest that you carefully read all of the instructions. By following the suggestions found in this user manual, you can look forward to exceptional performance from your I-180 fog machine for years to come.

Please follow these operation, safety and maintenance instructions to ensure a long and safe life for your fog machine.

SPECIFICATIONS



Power: AC 120V/60Hz 230V/50Hz
Heater: 700W
Fuse: 120VAC F7A 230VAC F3.15A
Warm-up time: 4 minutes
Output: 2500 cuft/min
Tank capacity: 0.8 litre
Dimensions: 330 x 160 x 130 mm
Weight: 3.6 kg

CAUTIONS



Pay attention to all warning labels and instructions printed on the exterior of your I-180 fog machine

Danger of electric shock

- Keep this device dry.
- For inside use only. Not designed for outside use.
- For the 110V models, use 3-prong grounded electrical outlet only. Prior to use take care to determine that the unit is installed at the rated voltage.
- Always unplug your I-180 fog machine before filling its tank.
- Keep fog machine upright.
- Turn off or unplug when not in use.
- This machine is not water- or splash-proof. If moisture, water, or fog liquid gets inside the housing, immediately unplug the unit and contact a service technician or your dealer before using it again.
- No user serviceable parts inside. Refer to your dealer or other qualified service personnel.

Danger of burns

- For adult use only. Fog machine must be installed out of the reach of children. Never leave the unit running unattended.
- Keep nozzle at least 50 cm (20 in.) away from contact with anything while in operation.
- The fog vapour at point of release is under pressure and is extremely hot .
- Never aim the output nozzle directly at people.
- Fog machine output is very hot. Avoid coming within 50 cm of the output nozzle during operation.
- Locate the fog machine in a well-ventilated area. Never cover the unit's vents. In order to guarantee adequate ventilation, allow a free air space of at least 20 cm around the sides and top of the unit.
- Never aim the output nozzle at open flames.

- The output nozzle becomes very hot during operation (300 degrees C). Keep flammable materials at least 50 cm away from the nozzle.
- Always allow your I-180 fog machine to cool down before attempting to clean or service it.

Danger of explosion

- Never add flammable liquids of any kind (oil, gas, perfume) to the fog liquid.
- Use only the high-quality, water-based fog liquid that your dealer recommends. Other fog liquids may cause poor effect fog, clogging and “spitting” of unevaporated liquid.
- Always make sure there is sufficient liquid in the fog liquid tank. Operating this unit without liquid can cause damage to the pump and the heater.
- If your I-180 fog machine fails to work properly, discontinue use immediately. Drain all fog liquid from the tank, pack the unit securely (preferably in the original packing materials), and return it to your dealer for inspection.
- Always drain tank before shipping or transporting this unit.
- If fog liquid comes in contact with skin or eyes, rinse thoroughly with water. Never drink fog liquid. If ingest accidentally and feel not well, call a doctor immediately.

Unpacking & Inspection

Open the shipping carton and check that all equipment necessary to operate the system has arrived intact. In addition to the I-180 fog machine, you should receive the following items:

1. FCW-80Z(E)-I wired remote
 2. Hanging bracket
 3. 800 ml (1 quart) liquid tank.
- Before beginning initial setup of your I-180 fog machine, make sure that there is no evident damage caused by transportation.
 - In the event that the unit’s housing or cable is damaged, do not plug it and do not attempt to use it before contacting your dealer for assistance.

Setup

- Remove all packing materials from the fog machine. Check that all foam and plastic padding is removed, especially in the nozzle area.
- Fill with high-quality water-based fog fluid. Any other types of fluid can damage the unit. When filled, place cap back on the liquid tank.
- Firmly connect the remote control to the proper input on the rear of the machine.

Operation

- Plug power cord into a grounded electrical outlet. Then turn on the power switch on the rear of the unit. The machine starts to warm up and the red lamp on the remote control will be on . When warm-up is complete the red lamp is off.
- To emit fog, press the button on the remote and hold for the desired length of time.
- The remote unit's lamp will cycle on and off as the machine re-heats to the proper operating temperature.
- For further information on operating your I-180 fog machine, see the section titled, "Remote Control Operation".

Installation

The I-180 fog machine includes a mounting bracket designed for overhead installation. This bracket allows the unit to be hung from lighting equipment trussing or other suitable supports.

The unit can also be operated at floor level or sitting on any regular surface as well.

If the unit is to be mounted with the hanging bracket, it is important not to point the nozzle in a direction that will aim directly at a person.

Whatever installation method you choose, do not allow the unit to have more than a 15 degree angle of inclination.

Remote Control Operation

- **FCW-80Z(E)-I:** 3 meter wire remote controller for I-180 fog machine.



- **FC-5 (Option):** The wireless remote controller for I-180 fog machine. Remote operation of on/off function is possible up to a distance of 50 meters



Maintenance

Do not allow the fog liquid to become contaminated. Always place back both the caps on the fog liquid tank and the fog machine liquid tank immediately after filling.

After every 40 hours of continuous operation, it is recommended to run distilled water through the system to prevent the accumulation of particulate matter in the heating element. When cleaning, use only a clean, lint-free cloth. An effective cleaning regimen is as follows:

1. While unit is unplugged and cool, unscrew nozzle at very front of unit and clean out debris with vinegar and a pipe cleaner, making sure that the hole is free of clogs.
2. Empty all fog fluid from machine. Add cleaning solution to tank. Plug unit in and begin warm up.
3. Run unit in a well-ventilated area until tank is empty.
4. Replace nozzle and refill with liquid.

Cleaning your fog machine regularly will help reduce costly parts replacement and repair charges.

Important

Always monitor tank fluid level as you are fogging. Running a fog machine without fluid can permanently damage the unit. If you experience low output, pump noise or no output at all, unplug immediately. Check fluid level, the external fuse, remote connection, and power from the wall. If all of the above appears to be O.K., plug the unit again. If fog does not come out after pressing the remote button for 30 seconds, check the tube attached to the tank to make sure there is fluid going through inside. If you are unable to determine the cause of the problem, do not simply continue pressing the remote button, as this may damage the machine. Return the machine to your dealer for inspection.

Performance Notes

- All fog machines develop condensation around the output nozzle. Because this may result in some moisture accumulation on the surface below the output nozzle, consider this condensation when installing your machine.
- Fog machines may sputter small amounts of fog occasionally during operation and for a minute or so after being turned off.
- I-180 fog machine has a heating cycle after bursts of fog so the machine stops fogging for a short period in order to heat up. During this time no fog can be produced.
- Only use liquids with certified suitability.

Save these instructions