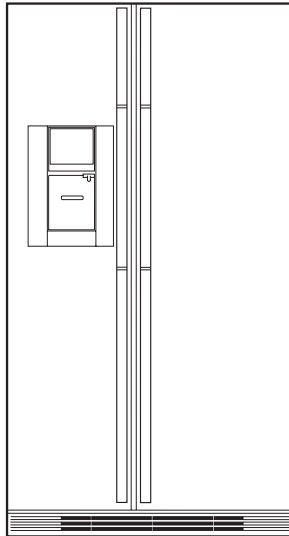


# FACTORY PARTS CATALOG SIDE BY SIDE REFRIGERATOR



PRODUCT NO.	BASE MODEL NO.	SERIES	COLOR	VOLTS
FRS20ZGGB2	FRS20ZGG	GALLERY R134a	black	115
FRS20ZGGD2	FRS20ZGG	GALLERY R134a	almond	115
FRS20ZGGW2	FRS20ZGG	GALLERY R134a	white	115
<b>MARKET</b>	<b>North America</b>			

**WIRING DIAGRAM - # 218875901**  
**OWNER'S GUIDE - # 218851800**  
**SERVICE DATA SHEET - # 218877000**



101 Masters Blvd.  
 Anderson, SC 29624

**SIDE BY SIDE  
REFRIGERATOR**

**Model No.  
FRS20ZGG**

Publication No.

5995311916

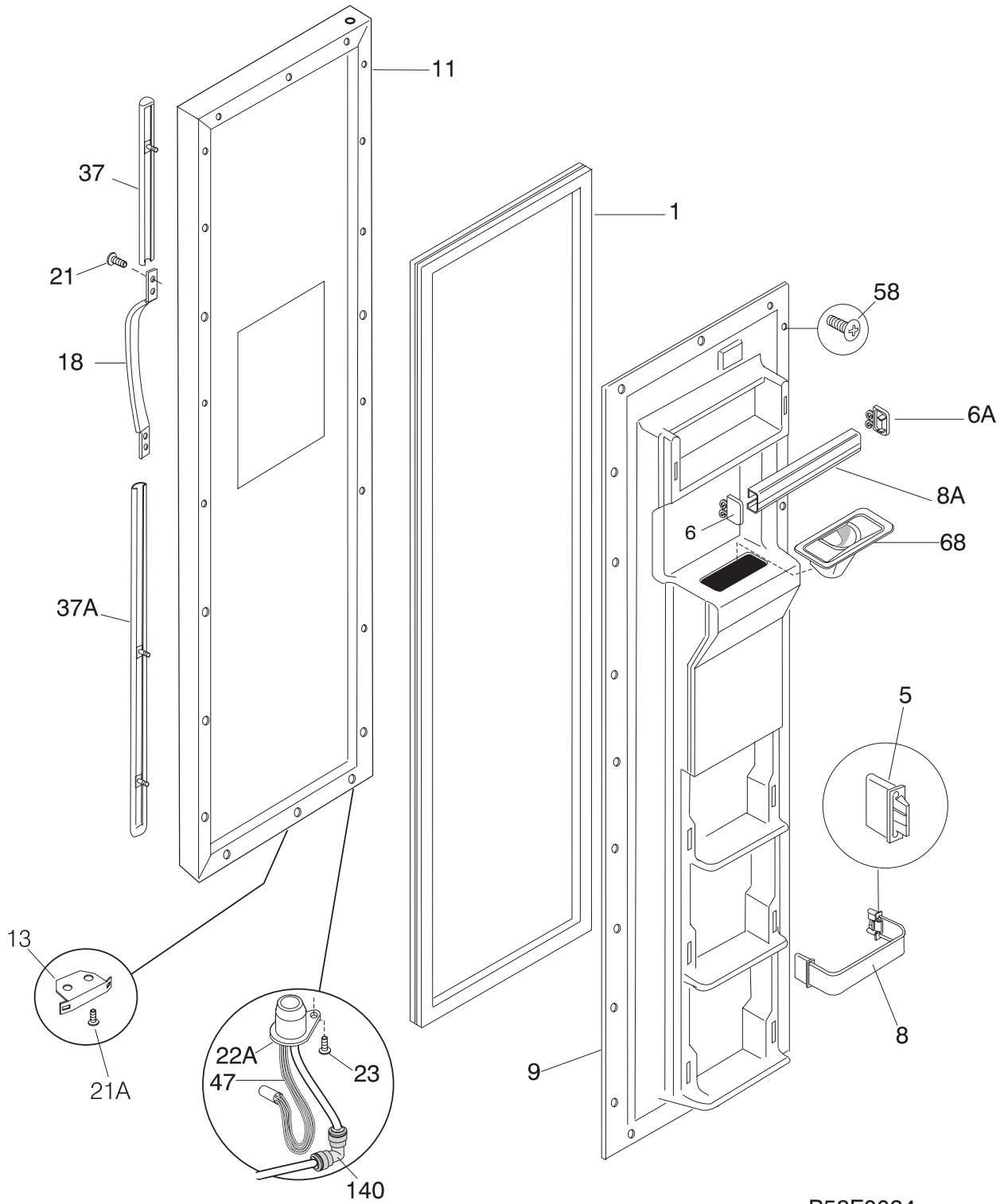
980831

-EN/SERVICE /JLT

357

©1998 White Consolidated Industries, Inc.  
All rights reserved

FREEZER DOOR



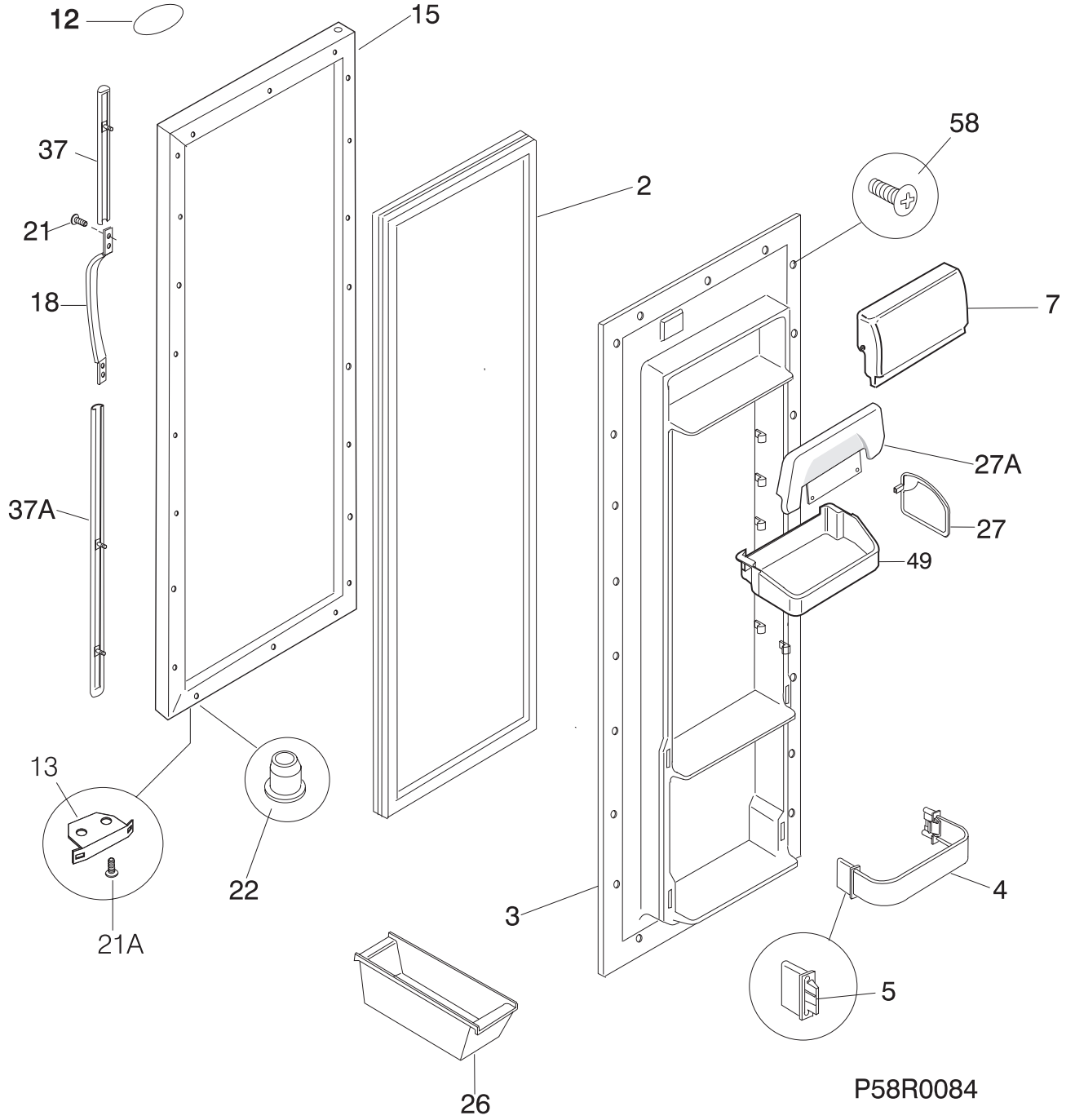
P58F0024

## FREEZER DOOR

A = FRS20ZGG (FRS20ZGGW2)
B = FRS20ZGG (FRS20ZGGD2)
C = FRS20ZGG (FRS20ZGGB2)

POS. NO	PART NO		DESCRIPTION
1 #	215734311	A - -	Gasket-frzr door,white ,magnetic
1 #	215734301	- B -	Gasket-frzr door,almond ,magnetic
1 #	215734321	- - C	Gasket-frzr door,black ,magnetic
5	5303288950	A B C	Support-door rack,RH/LH
6	5303323484	A B C	Support-door rack,white ,LH
6A	5303323485	A B C	Support-door rack,white ,RH
8	5303320230	A B C	Rack-door
8A	215474047	A B C	Rack-door
9	218748601	A B C	Panel-inner door,frzr
11	5303917896	A - -	Panel-frzr door,white ,w/foam insulatn
11	5303917897	- B -	Panel-frzr door,almond ,w/foam insulatn
11	5303917898	- - C	Panel-frzr door,black ,w/foam insulatn
13	5303289522	A B C	Door Stop
18	218025201	A - -	Handle-door,white ,soft grip
18	218025204	- B -	Handle-door,almond ,soft grip
18	218025205	- - C	Handle-door,metallic gray ,soft grip
21	5303001001	A B C	Screw,hx wshr hd sems ,8-15A x 0.625
21A	218578600	A B C	Screw-door stop mtg,phl truss hd , 10-16 x 3/4
22A	215615300	A B C	Bushing-door,bronze
23	5303001020	A B C	Screw,cr flat head ,8-32D x 1/2
37	215867064	A - -	Trim-handle,white ,upper , w/dec gold band,and snap lock
37	215867065	- B -	Trim-handle,almond ,upper , w/dec gold band,and snap lock
37	215867066	- - C	Trim-handle,metallic gray ,upper , w/dec gold band,and snap lock
37A	215867061	A - -	Trim-handle,white ,lower , w/dec gold band,and snap locks
37A	215867062	- B -	Trim-handle,almond ,lower , w/dec gold band,and snap locks
37A	215867063	- - C	Trim-handle,metallic gray ,lower , w/dec gold band,and snap locks
37A*	218676003	A B C	Band-decorative,gold
47	218849901	A B C	Harness-wiring,frzr door
58	218749600	A B C	Screw,#10 pan hd ,8-18 x .5
68	218020600	A B C	Chute-ice
140	218518700	A B C	Elbow-water tube
*	215782300	A B C	Lock-handle trim,snap-in
*	215940700	A B C	Lock-handle trim,stick-on
*	5303917276	A B C	Insulation-door,fiberglass ,(bulk)

REFRIGERATOR DOOR

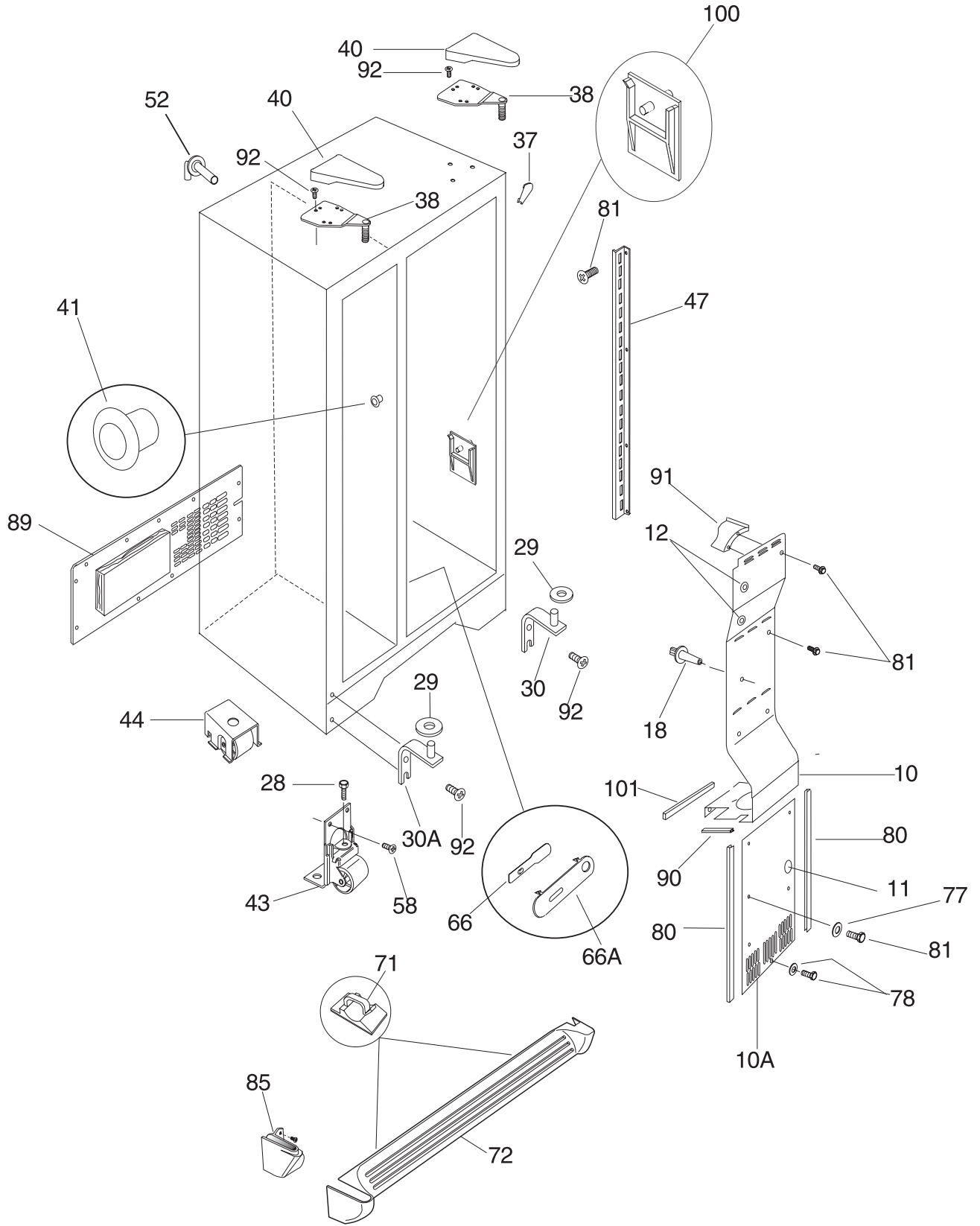


## REFRIGERATOR DOOR

A = FRS20ZGG (FRS20ZGGW2)
B = FRS20ZGG (FRS20ZGGD2)
C = FRS20ZGG (FRS20ZGGB2)

POS. NO	PART NO		DESCRIPTION
2 #	215734312	A - -	Gasket-refr door,white ,magnetic
2 #	215734302	- B -	Gasket-refr door,almond ,magnetic
2 #	215734322	- - C	Gasket-refr door,black ,magnetic
3	218749301	A B C	Panel-inner door,refr
4	5303320230	A B C	Rack-door
5	5303288950	A B C	Support-door rack,RH/LH
7	5303308347	A B C	Door-dairy
12	218364004	A - -	Frame-nameplate,white
12	218364005	- B -	Frame-nameplate,almond
12	218364006	- - C	Frame-nameplate,black
12*	215008604	A - -	Label-nameplate,white
12*	215008605	- B -	Label-nameplate,almond
12*	215008606	- - C	Label-nameplate,black
12*	5315340712	A B C	Tape,adhesive ,12" long ,foam , double-faced
13	5303289522	A B C	Door Stop
15	5303917893	A - -	Panel-refr door,white ,w/foam insulatn
15	5303917894	- B -	Panel-refr door,almond ,w/foam insulatn
15	5303917895	- - C	Panel-refr door,black ,w/foam insulatn
18	218025201	A - -	Handle-door,white ,soft grip
18	218025204	- B -	Handle-door,almond ,soft grip
18	218025205	- - C	Handle-door,metallic gray ,soft grip
21	5303001001	A B C	Screw,hx wshr hd sems ,8-15A x 0.625
21A	218578600	A B C	Screw-door stop mtg,phl truss hd , 10-16 x 3/4
22	5303289320	A B C	Bearing-hinge
26	3204522	A B C	Container-egg
27	218370101	A B C	Snugger-door bin,"paddle type" , gallon door bin
27A	218714201	A B C	Retainer,tall bottle
37	215867064	A - -	Trim-handle,white ,upper , w/dec gold band,and snap lock
37	215867065	- B -	Trim-handle,almond ,upper , w/dec gold band,and snap lock
37	215867066	- - C	Trim-handle,metallic gray ,upper , w/dec gold band,and snap lock
37A	215867061	A - -	Trim-handle,white ,lower , w/dec gold band,and snap locks
37A	215867062	- B -	Trim-handle,almond ,lower , w/dec gold band,and snap locks
37A	215867063	- - C	Trim-handle,metallic gray ,lower , w/dec gold band,and snap locks
37A*	218676003	A B C	Band-decorative,gold
49	218592305	A B C	Bin-door,gallon ,with trim
58	218749600	A B C	Screw,#10 pan hd ,8-18 x .5
*	215782300	A B C	Lock-handle trim,snap-in
*	215940700	A B C	Lock-handle trim,stick-on
*	5303917276	A B C	Insulation-door,fiberglass ,(bulk)

CABINET



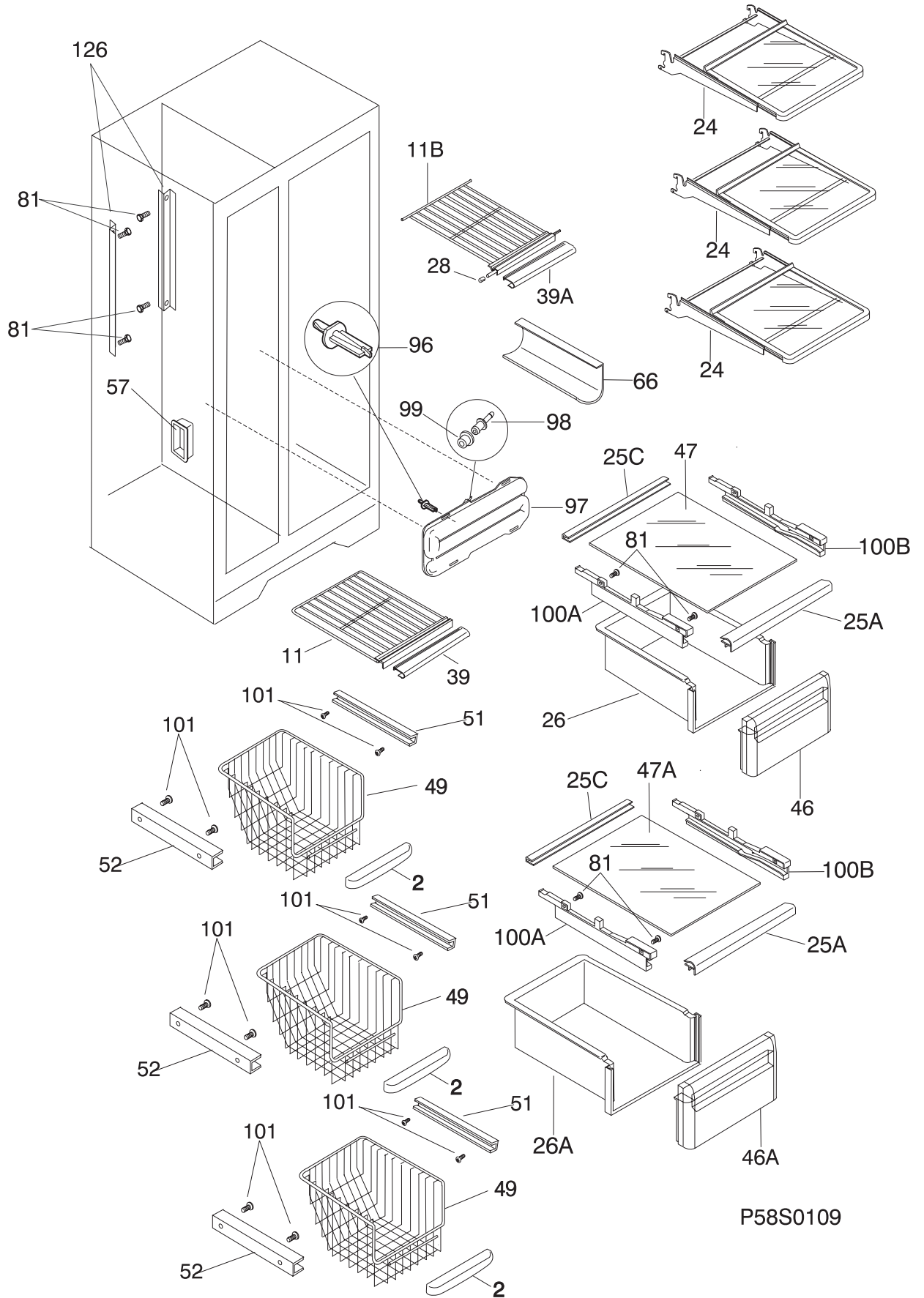
P58B0027

## CABINET

A = FRS20ZGG (FRS20ZGGW2)
B = FRS20ZGG (FRS20ZGGD2)
C = FRS20ZGG (FRS20ZGGB2)

POS. NO	PART NO		DESCRIPTION
10	218748901	A B C	Cover-air duct
10*	5303209814	A B C	Nut,"U" type ,8-15(A) ,fan mtr mtg
10A	218751301	A B C	Cover-evap coil,lower
11	5303208309	A B C	Plug-hole,factory test
12	215230400	A B C	Plug-harness hole
18	5303289043	A B C	Support-air duct cvr,2.55" long
18*	5303289044	A B C	Support-air duct cvr,1.83" long
28	5303289062	A B C	Bolt-roller adj,hex head ,5/16-24 x 7/8
29	215003200	A B C	Washer,.40 x .63 x .16 ,nylon
29	215314301	A B C	Washer,.40 x .75 x .06 ,nylon
29*	218871201	A B C	Washer-nylon
30	5303289060	A B C	Bracket-lower hinge,RH ,w/hinge pin
30*	218730800	A B C	Tapping Plate,RH
30A	215009000	A B C	Bracket-lower hinge,LH ,w/hinge pin
30A*	218730700	A B C	Tapping Plate,LH
37	5303321081	A - -	Trim-cabinet corner,white
37	5303321082	- B -	Trim-cabinet corner,almond
37	5303321083	- - C	Trim-cabinet corner,black
38	218215213	A - -	Bracket-upper hinge,with closer ,white , RH
38	218215215	A - -	Bracket-upper hinge,with closer ,white , LH
38	218215221	- B -	Bracket-upper hinge,with closer ,almond
38	218215223	- B -	Bracket-upper hinge,with closer ,almond
38	218215214	- - C	Bracket-upper hinge,with closer ,black , RH
38	218215216	- - C	Bracket-upper hinge,with closer ,black , LH
40	218374404	A - -	Cover-upper hinge,white
40	218374405	- B -	Cover-upper hinge,almond
40	218374406	- - C	Cover-upper hinge,black
40	218374407	A - -	Cover-upper hinge,white
40	218374408	- B -	Cover-upper hinge,almond
40	218374409	- - C	Cover-upper hinge,black
41	5303001609	A B C	Grommet,shelf/rod mtg ,RH
41*	5308009759	A B C	Grommet,shelf mtg ,LH
43	218615300	A B C	Roller Assy,front ,(2)
43*	5308017044	A B C	Screw-roller mtg,spcl ind hex hd ,5/16-18(23)x7/8
44	218738300	A B C	Roller Assy,rear ,(2)
47	218659500	A B C	Channel-shelf mtg,side ,(2)
52	215454600	A B C	Tube-water inlet
58	5308002748	A B C	Screw,hex wshr hd ,8-15A x 0.500 ,special
66	215050201	A B C	Damper-meat keeper
66A	218171301	A B C	Cover-meat kpr dmp
71	218515401	A B C	Clip-grille
72	218359613	A - -	Grille/Kickplate,white
72	218359614	- B -	Grille/Kickplate,almond
72	218359615	- - C	Grille/Kickplate,black
77	5303001216	A B C	Washer-nylon,3/16 x 5/8 OD
78	5303274237	A B C	Screw-bracket,hex wshr hd ,8-32CA x 0.500
*	5308009617	A B C	Washer,ext tooth lock ,#10
80	218249802	A B C	Seal-coil cover,(2)
81	5308016566	A B C	Screw,hex wshr hd ,8-15A x 0.625 ,low profile
85	218359801	A - -	Cover-lower hinge,white
85	218359803	- B -	Cover-lower hinge,almond
85	218359805	- - C	Cover-lower hinge,black
89	5303288947	A B C	Cover-machine compt
90	215022602	A B C	Seal-foam
90*	5303322647	A B C	Tape-foam
91	218769900	A B C	Deflector-air,air duct cover
92	5303001479	A B C	Screw-hinge mtg,hex hd ,1/4-20 x 0.875
101	215305701	- - -	Seal-foam
*	5303305324	A - -	Paint,touch-up ,white
*	5303305325	- B -	Paint,touch-up ,almond
*	5303305345	- - C	Paint,touch-up ,black
*	5308016571	A B C	Plug-button,cabinet liner

SHELVES



P58S0109



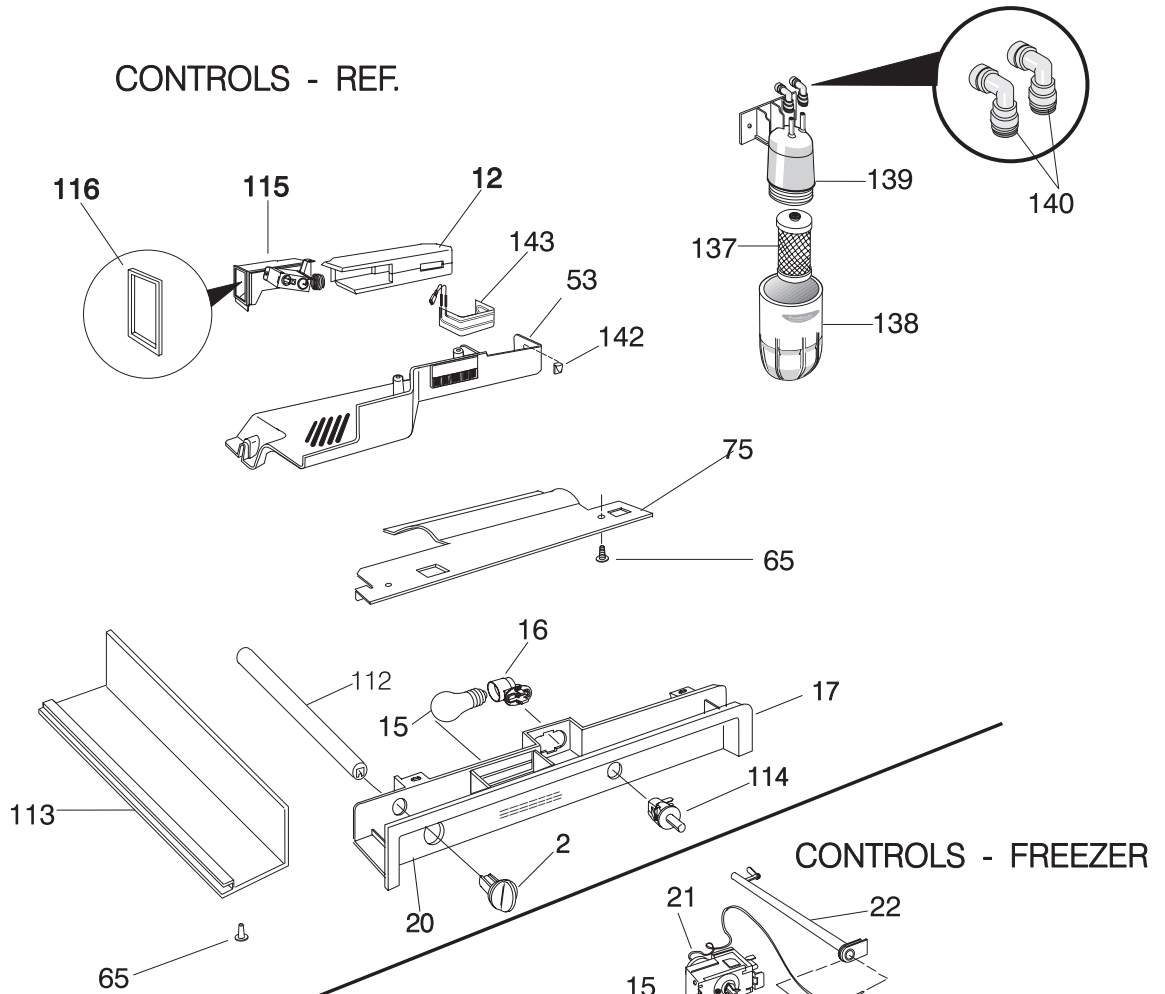
## SHELVES

A = FRS20ZGG (FRS20ZGGW2)
B = FRS20ZGG (FRS20ZGGD2)
C = FRS20ZGG (FRS20ZGGB2)

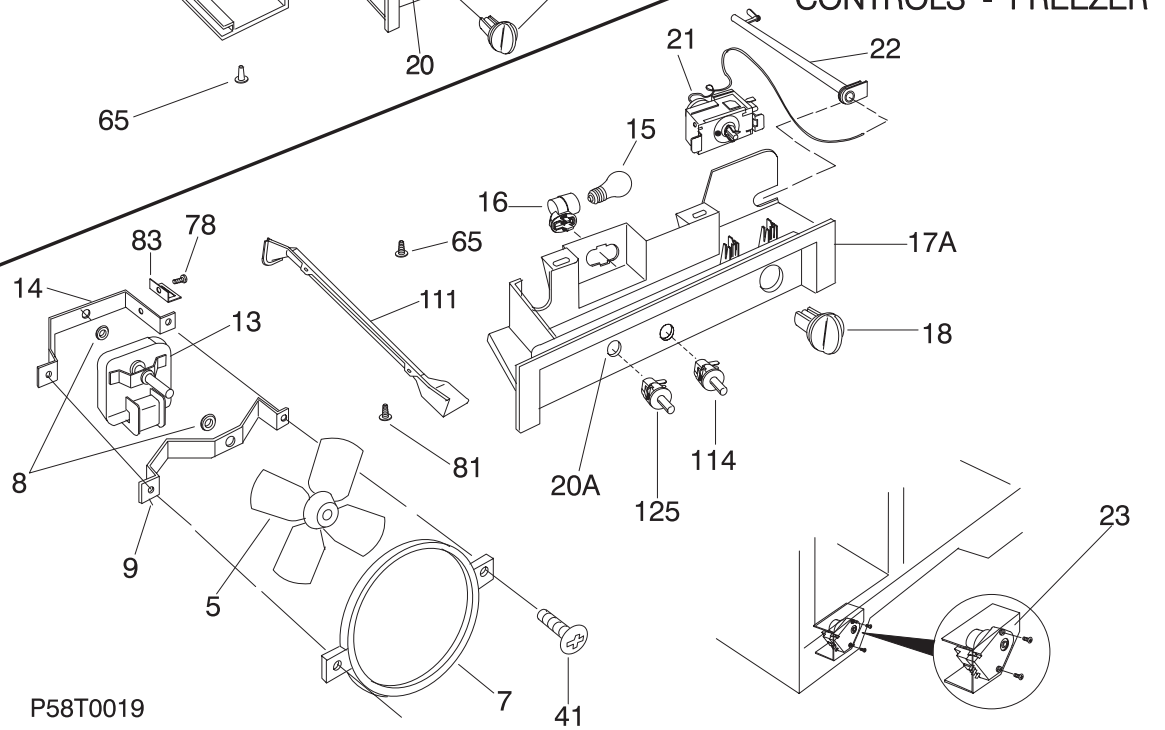
POS. NO	PART NO		DESCRIPTION
2	218747101	A B C	Handle-frzr basket
11	218298005	A B C	Shelf-freezer,sliding ,wire
11*	218159700	A B C	Spacer-shelf
11B	5304405990	A B C	Shelf-freezer,fixed wire
24	218746001	A B C	Shelf-"Spill-Safe",sliding ,(3)
25A	218015301	A B C	Trim-storage pan cvr,snap-on ,front
25C	218015401	A B C	Trim-storage pan cvr,snap-on ,rear
26	5303306579	A B C	Pan-storage,upper
26A	5303288968	A B C	Pan-storage,lower
28	08013638	A B C	End Cap-shelf,protector , lower frzr shelf
39	215217562	A B C	Trim-frzr shelf
39A	215217563	A B C	Trim-frzr shelf
46	218278301	A B C	Front-storage pan,upper
46A	218278302	A B C	Front-storage pan,lower
47	218498118	A B C	Insert-pan cover,glass ,w/graphics
47A	215723551	A B C	Insert-pan cover,glass ,clear ,lower
49	218748301	A B C	Basket-sliding,(3)
51	5303288960	A B C	Hanger-basket,RH
52	215162501	A B C	Hanger-basket,LH,with/spring
57	5303271653	A B C	Ferrule-inner
57A	5303289064	A B C	Ferrule-air
66	5304402116	A B C	Rack-wine
81	5308016566	A B C	Screw,hex wshr hd ,8-15A x 0.625 , low profile
96	215192600	A B C	Support-water tank
97	218871301	A B C	Water Tank
98	5308015614	A B C	Connector-tube
99	5300186057	A B C	Grommet-tank
100A	218015501	A B C	Support-pan cover,LH
100B	218015601	A B C	Support-pan cover,RH
101	215005100	A B C	Screw-roller/hanger,8-10 x .438
126	218867401	A B C	Channel,auger mtg ,LH
126*	218867402	A B C	Channel,auger mtg ,RH
*	215328300	A B C	Clip-shelf
*	5303001038	A B C	Washer,.28 x .62 x .19 ,nylon

CONTROLS

CONTROLS - REF.



CONTROLS - FREEZER



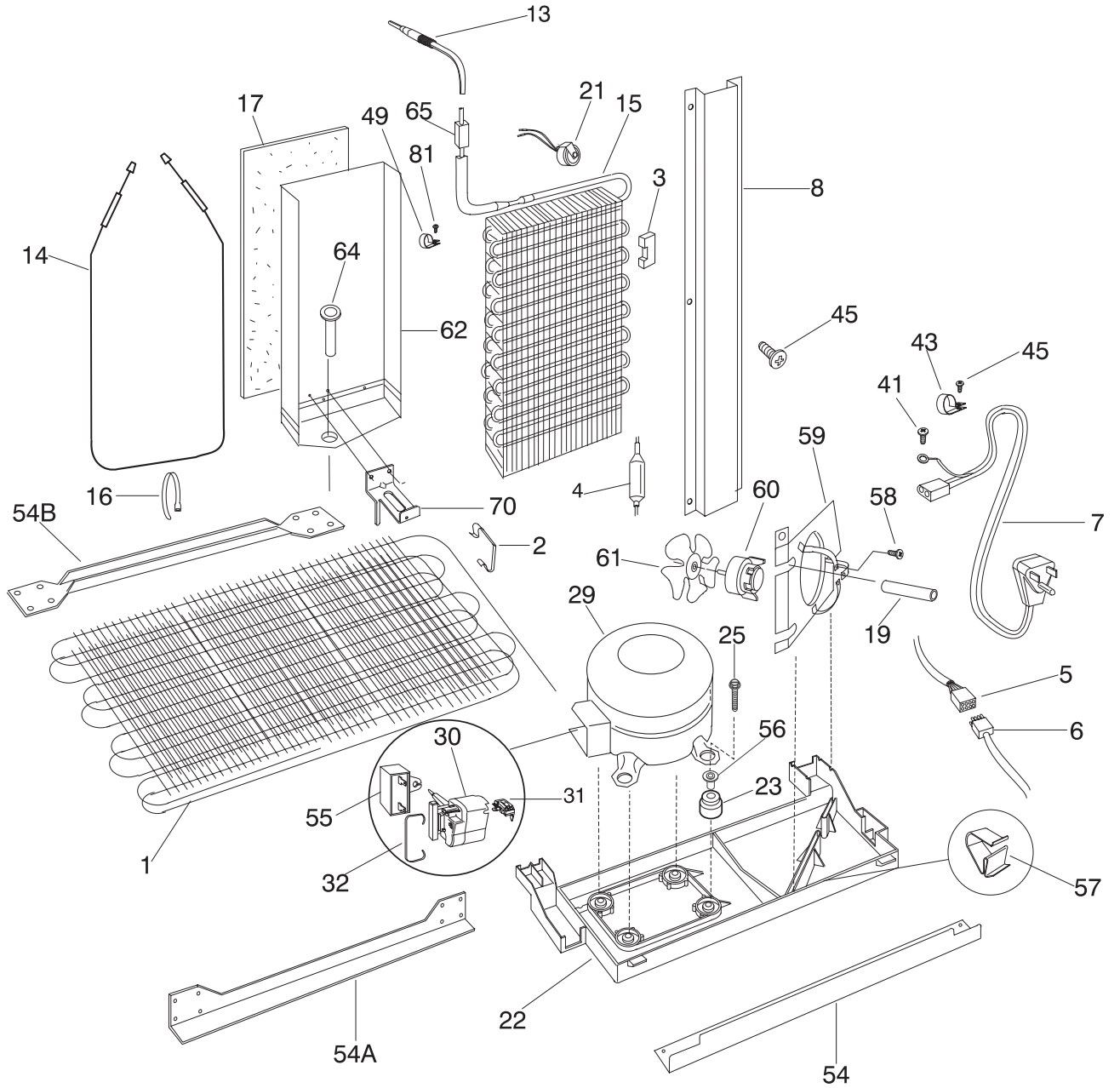
P58T0019

## CONTROLS

A = FRS20ZGG (FRS20ZGGW2)
B = FRS20ZGG (FRS20ZGGD2)
C = FRS20ZGG (FRS20ZGGB2)

POS. NO	PART NO		DESCRIPTION
2	5303307883	A B C	Knob-damper control,white/teal line
5 #	5308000010	A B C	Fan Blade,red
7	5308000124	A B C	Ring-fan orifice
8	5300157666	A B C	Bushing-motor mtg,(2)
9	5303205118	A B C	Bracket-motor mtg,front
12	215809600	A B C	Diffuser-air
13 #	215426200	A B C	Motor-evap fan
13*	215474201	A B C	Washer,"slinger" ,nylon ,evap fan shaft
14	5303205119	A B C	Bracket-motor mtg,rear
15	5303001179	A B C	Light Bulb/Lamp,40 W
16 #	5303289050	A B C	Socket-light/lamp
17	218468702	A B C	Control Box,refr ,w/light tunnel
17A	5303321928	A B C	Control Box,frzr
17A*	215980800	A B C	Brace-frzr cont box
18	5303307882	A B C	Knob-temp control
20	5303321927	A B C	Label-control box,refr
20A	5303322426	A B C	Label-control box,frzr
21 #	5303300027	A B C	Control-temperature
21*	5303001260	A B C	Screw-control mtg,pan hd ,6-32 x 0.250
22	5303319683	A B C	Housing-temp sensor,plastic
22*	218731102	A B C	Tube,insulator ,PVC ,white , on temp sensor
23 #	215846602	A B C	Timer-defrost
23*	215277000	A B C	Cover-defrost timer,top
23*	5303001259	A B C	Screw-timer mtg,pan hd ,6-20 x 0.438
23*	5303289058	A B C	Shield-defrost timr,btm
41	5308000039	A B C	Screw,hex wshr hd ,8-32CA x 0.500 , serrated head
41*	5303209814	A B C	Nut,"U" type ,8-15(A) ,fan mtr mtg
53	215809508	A B C	Box-damper control
65	5303001361	A B C	Pin-mounting,push-in ,plastic
75	218465101	A B C	Shield-light,refr
78	5303274237	A B C	Screw-bracket,hex wshr hd , 8-32CA x 0.500
81	5308016566	A B C	Screw,hex wshr hd ,8-15A x 0.625 , low profile
83	5308000107	A B C	Bracket-connector
111	5303289024	A B C	Wireway,frzr
112	215277101	A B C	Rod-damper extn
113	5303289047	A B C	Cover-dmpr rod ext
114#	5303289051	A B C	Switch-light/lamp,white
115#	215011503	A B C	Damper Assy,w/seal
116	215011400	A B C	Seal-damper,foam
125#	215334201	A B C	Switch-auger kill,white
137#	218710901	A B C	Filter-water,carbon ,with o'rings , and wrench
*	218710300	A B C	Wrench-filter
138	218657401	- - -	Cup-water filter
139	218657500	- - -	Housing-water filtr
140	218518700	A B C	Elbow-water tube
142	218657701	A B C	Knob-indicator,filter replment
143	218696700	A B C	Heater-water filter
*	215188300	A B C	Screw-control box mtg,hex head , 8-15A x 1.000,refr/frzr
* #	218646000	A B C	Harness-wiring,filter heater

SYSTEM

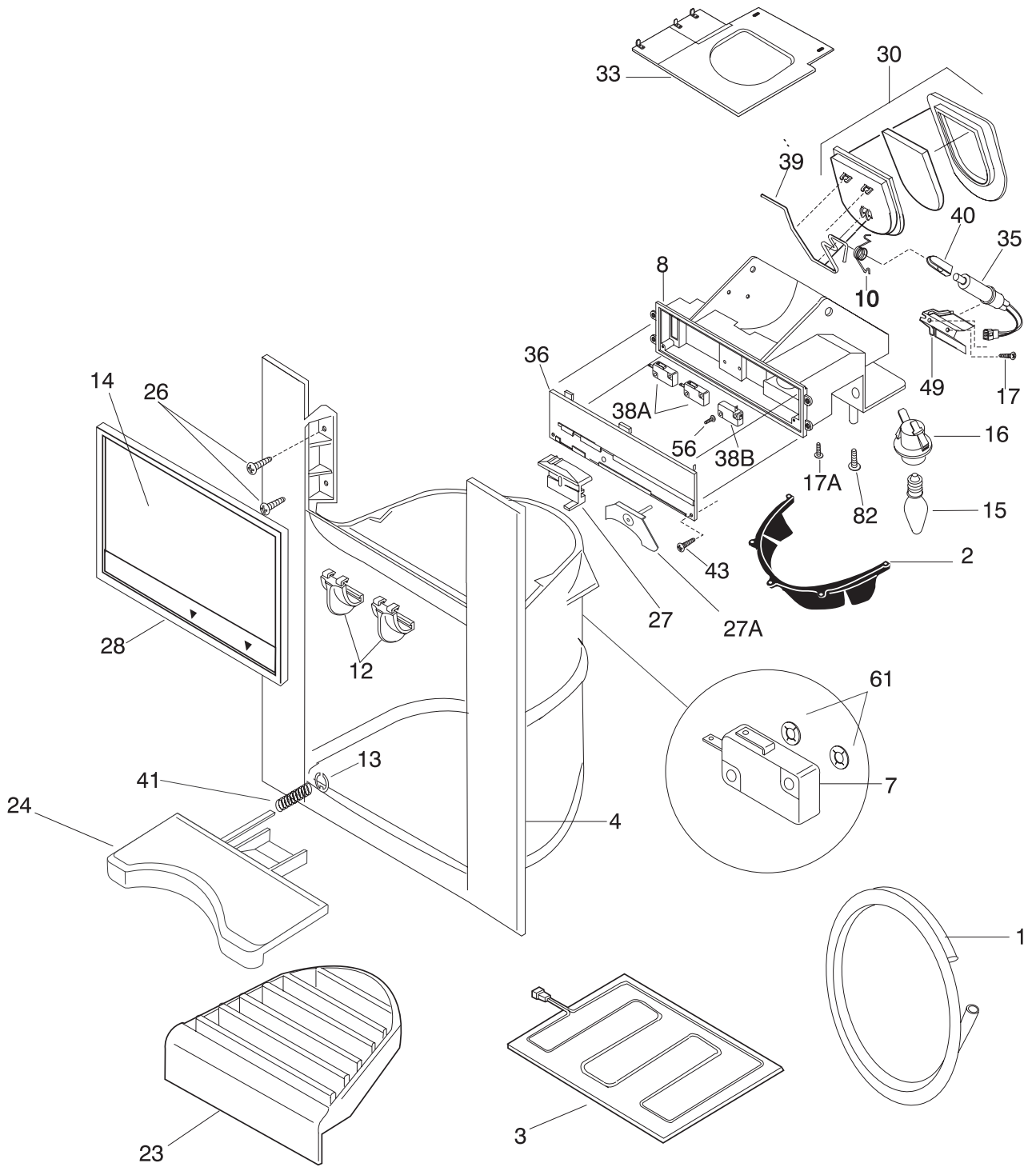


P58C0001

## SYSTEM

A = FRS20ZGG (FRS20ZGGW2)
B = FRS20ZGG (FRS20ZGGD2)
C = FRS20ZGG (FRS20ZGGB2)

POS. NO	PART NO		DESCRIPTION
1	218787700	A B C	Condenser
1*	5303289026	A B C	Spacer-tube
2	5303289029	A B C	Clip-cond mtg,(4)
3	218679603	A B C	Block-evap coil,styrofoam ,(2)
4 #	218541000	A B C	Drier-filter
5	218646100	A B C	Harness-wiring,main
5*	215005200	A B C	Harness-wiring,refr controls
5*	218646000	A B C	Harness-wiring,filter heater
5*	218815101	A B C	Harness-wiring,frzr controls
6	218872701	A B C	Harness-wiring,w/valve diodes
7	215459201	A B C	Cord-electric power
8	218803400	A B C	Cover-wiring
8*	218754500	A B C	Screw,hex hd ser wshr ,#8-18 x 3/8
13 #	215006701	A B C	Heat Exchanger,suction line
14 #	218169801	A B C	Heater-defrost
15 #	218691302	A B C	Evaporator,R134a System
15*	3206414	A B C	Tube-inlet
16	5308000110	A B C	Strap-evap/heater,aluminum
17	5303289042	A B C	Insulator-evap
19	218631200	A B C	Tube,rubber
21 #	218876901	A B C	Thermostat-defrost
22	218811100	A B C	Base-compressor mtg,(drain pan)
23	218513300	A B C	Grommet-compr mtg,(4)
25	218773500	A B C	Screw-compressor mtg,hex washer head , 10 B x 1 1/4
29 #	218374514	A B C	Compressor,R134a ,w/o electricals
30 #	218721101	A B C	Starter/Overload Assy
32	218740800	A B C	Wire-bale
41	5308000039	A B C	Screw,hex wshr hd ,8-32CA x 0.500 , serrated head
43	215174700	A B C	Clamp-service cord,strain relief , galv steel
43*	5303001199	A B C	Clamp-wiring harness,strain relief , galv steel
43*	5308000133	A B C	Clamp,nylon ,.75 OD tube
45	5303001343	A B C	Screw,hex wshr hd ,8-15A x .5 ,spec
45*	218769200	A B C	Screw,hx wshr hd spec ,#6-32 x .5
45*	5300141713	A B C	Screw,hex wshr hd ,8-32 x .625 ,spec
45*	5303207328	A B C	Screw,hex wshr hd ,8-15A x 1
49	215506900	A B C	Bracket-evap mtg
54	5303289027	A B C	Rail-cabinet base,rear
54A	5303289311	A B C	Rail-compr support
54B	5303289292	A B C	Rail-cabinet base,front
55 #	216236200	A B C	Capacitor-run
56	218769300	A B C	Insert-compressor mtg
57	218247300	A B C	Clip-wiring harness
58	215004600	A B C	Screw-cond fan mtr,hx serr wshr hd , 8-36 x 7/16,(2)
59	5303289031	A B C	Shroud-cond fan mtr
60 #	215501901	A B C	Motor-condenser fan
61	5303289032	A B C	Blade-cond fan
61*	215004700	A B C	Nut,speed
61*	215004800	A B C	Grommet-silencer
62	215048201	A B C	Trough-drain,w/shield assy , & #17 insulator
64	5303289063	A B C	Tube-drain
65	5303289301	A B C	Spacer-tube
70	5303289041	A B C	Bracket-evap/cvr mtg
81	5308016566	A B C	Screw,hex wshr hd ,8-15A x 0.625 , low profile
*	5303917166	A B C	Hot Tube Repair Kit,Service



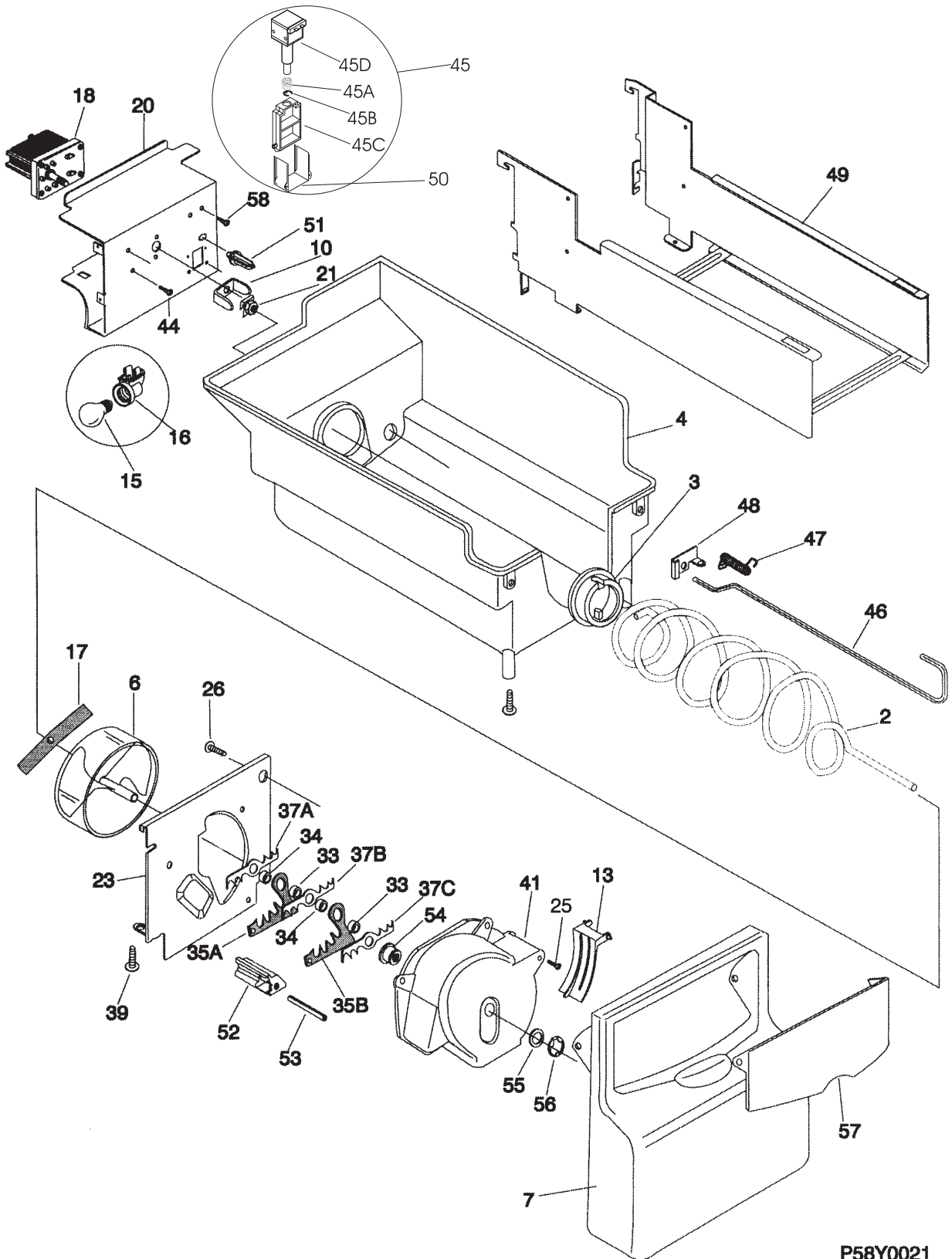
P58X0014

## DISPENSER

A = FRS20ZGG (FRS20ZGGW2)
B = FRS20ZGG (FRS20ZGGD2)
C = FRS20ZGG (FRS20ZGGB2)

POS. NO	PART NO		DESCRIPTION
1	5318582501	A B C	Tube-water inlet,93" ,plastic ,cut-to-size
1*	218832201	- - -	Tube-water inlet,filter ,to filter valve,w/elbow
1*	218859801	- - -	Tube-water inlet,inlet valve ,to filter
1*	215294101	A B C	Tube-water inlet,formed ,plastic ,dispenser
2	218505301	A - -	Deflector-ice disp,white
2	218505302	- B -	Deflector-ice disp,almond
2	218505303	- - C	Deflector-ice disp,black
3 #	215484300	A B C	Heater-door housing
4	218432101	A - -	Housing-dispenser,white
4	218432102	- B -	Housing-dispenser,almond
4	218432103	- - C	Housing-dispenser,black
7 #	218841901	A B C	Switch-actuator,micro
7*	215944300	A B C	Shield-micro switch
8	218835701	A B C	Module-dispenser
10	218209800	A B C	Spring,dispenser door
12	218836201	A - -	Knob-selector,white
12	218836202	- B -	Knob-selector,almond
12	218836203	- - C	Knob-selector,black
13	215748101	A B C	Ring-snap,actuator
14	218416160	A - -	Label-module cover,white
14	218416161	- B -	Label-module cover,almond
14	218416162	- - C	Label-module cover,black
15	218284900	A B C	Light Bulb/Lamp,4 W ,115 V
16	215284900	A B C	Socket-light/lamp
17	215794400	A B C	Screw,#6 x 1/4
17A	215840700	A B C	Screw,truss head ,6-20 x 3/8
17A*	215923400	A B C	Washer-flat
23	5303297844	A - -	Drip Tray,white
23	5303297845	- B -	Drip Tray,almond
23	5303299660	- - C	Drip Tray,black
24	218796501	A - -	Actuator,white
24	218796502	- B -	Actuator,almond
24	218796503	- - C	Actuator,black
26	215503200	A B C	Screw,cr pan hd ,10-16 x 1/2 ,spec/hi-lo
27	218432600	A B C	Cam-slide
27A	218814901	A B C	Rocker-switch
28	218700601	A - -	Cover-module,white
28	218700602	- B -	Cover-module,almond
28	218700603	- - C	Cover-module,black
30	215753600	A B C	Door Assy-ice chute,w/gasket,insul
33 #	218849801	A B C	Heater-disp throat
35 #	218740003	A B C	Heat Motor,115V
36	218835601	A B C	Cover-selector sw
38A#	218479900	A B C	Switch-micro
38B#	218835401	A B C	Switch-micro
39	218284600	A B C	Wire-ice door
40	218284500	A B C	Yoke-heat motor
41	215765400	A B C	Spring-actuator
43	215760300	- - -	Screw,#4 x 3/8
49	215794000	A B C	Bracket-heat motor
56	218434300	A B C	Screw-micro switch,pan head , 4-24 x 9/16
61	215766000	A B C	Ring-retainer,micro switch
82	215296300	A B C	Screw,plask h/l ,#6 x 3/8
*	215781700	A B C	Clip-tube
*	218863101	A B C	Harness-wiring,disp
*	5300460947	A B C	Tape-I&W dispenser,double faced ,foam , 60 x1-1/4 x1/32,(2)

ICE CONTAINER



P58Y0021

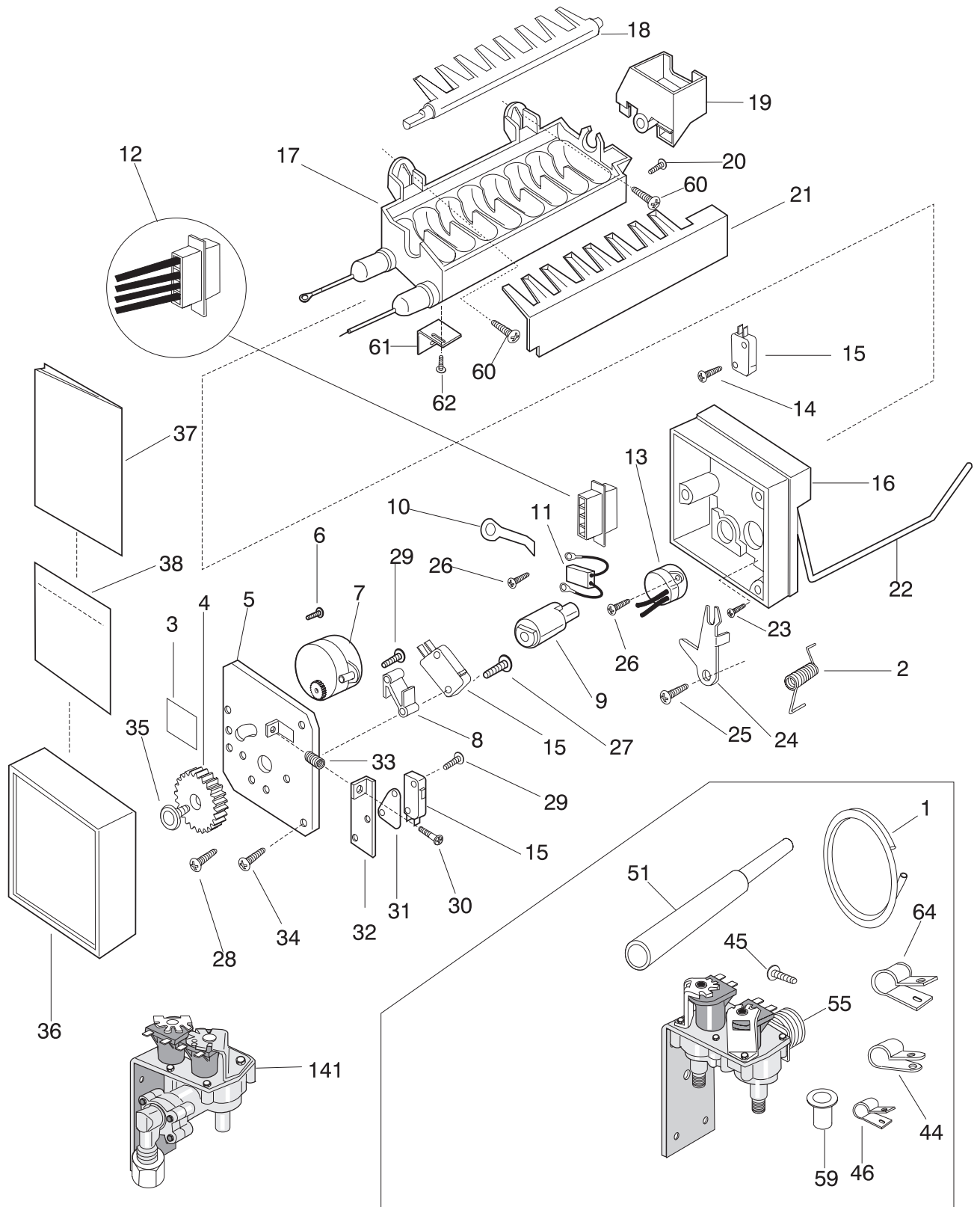


## ICE CONTAINER

A = FRS20ZGG (FRS20ZGGW2)
B = FRS20ZGG (FRS20ZGGD2)
C = FRS20ZGG (FRS20ZGGB2)

POS. NO	PART NO		DESCRIPTION
2	5304404344	A B C	Auger-ice
3	5304404343	A B C	Cam-drive
4	218815300	A B C	Container-ice
6	5304404346	A B C	Drum-ice disp
7	218815400	A B C	Front-ice container
10	5304404337	A B C	Bar-drive
13	5304404359	A B C	Gate
15	5303001179	A B C	Light Bulb/Lamp,40 W
16	5303289050	A B C	Socket-light/lamp
17	5304404345	A B C	Drive Blade
18 #	5304404330	A B C	Motor-auger
18*	5304404335	A B C	Harness-wiring, auger motor
20	5304404881	A B C	Cover-motor
21	215285100	A B C	Nut-drive
23	5304404347	A B C	Plate-front
25	5304404362	A B C	Screw
26	215503200	A B C	Screw,cr pan hd ,10-16 x 1/2 ,spec/hi-lo
33	5304404351	A B C	Spacer
34	5304404349	A B C	Spacer
35A	5304404353	A B C	Fixed Blade,round
35B	5304404352	A B C	Fixed Blade,square
37A	5304404348	A B C	Blade-crusher,#1
37B	5304404350	A B C	Blade-crusher,#2
37C	5304404356	A B C	Blade-crusher,#3
39	5304404365	A B C	Screw
41	5304404358	A B C	Housing-crusher
44	218359200	A B C	Screw,pan head ,8-32 x .25
45 #	5304404333	A B C	Solenoid Assy
45A	5304406816	A B C	Spring-solenoid
45B	5304406817	A B C	E-Ring-solenoid
45C	5304406818	A B C	Actuator-solenoid
45D	5304406819	A B C	Solenoid
46	5304404341	A B C	Control Rod
47	5304404342	A B C	Spring-control rod
48	5304404340	A B C	Bracket-control rod
48*	5304404364	A B C	Screw-bracket
49	5304404880	A B C	Rail Assy
50	5304404334	A B C	Guide-solenoid
51	5304404336	A B C	Rotation Stop
52	5304404354	A B C	Spacer-fixed blades
53	5304404355	A B C	Pin-spiral, fixed blades
54	5304404357	A B C	Nut-auger
55	5304404360	A B C	Washer
56	5304404361	A B C	E-ring
57	5304404363	A B C	Door-access
58	5304404331	A B C	Screw-solenoid
*	215781700	A B C	Clip-tube
*	218842802	A B C	Ice Container Assy

ICE MAKER



INSTALLATION PARTS

P58Z0015

## ICE MAKER

A = FRS20ZGG (FRS20ZGGW2)
B = FRS20ZGG (FRS20ZGGD2)
C = FRS20ZGG (FRS20ZGGB2)

POS. NO	PART NO		DESCRIPTION
1	5318582501	A B C	Tube-water inlet,93" ,plastic , cut-to-size
1*	218832201	- - -	Tube-water inlet,filter , to filter valve,w/elbow
1*	218859801	- - -	Tube-water inlet,inlet valve ,to filter
2	3206348	A B C	Spring,shut-off arm
3	3206299	A B C	Plate-I.D.
4	3206301	A B C	Gear
5	3206303	A B C	Plate-mounting
6	3206305	A B C	Screw-ground wire,8-32 x 1/4
7 #	3206306	A B C	Motor-ice maker
8	3206312	A B C	Spacer-holding sw
9	3206313	A B C	Cam
10	3206315	A B C	Clamp
11 #	3206319	A B C	Thermal Cutoff Assy
12	3206321	A B C	Connector Plug,wiring harness
12 #	3206349	A B C	Harness-wiring,IM internal ,with plug
13 #	3206322	A B C	Thermostat Assy,ice maker
14	3206323	A B C	Screw-switch mtg,4-24 x 3/4 , sw to support,(2)
15 #	3206324	A B C	Switch,(3)
16	3206326	A B C	Support
17 #	5303320545	A B C	Mold-ice maker,with heater ,radius cube
18	3206328	A B C	Ejector
19	3206330	A B C	Bearing & Inlet
20	3206331	A B C	Screw,8-18 x 3/8 ,(2)
21	3206332	A B C	Ice Stripper
22	3206333	A B C	Arm,shut-off
23	3206334	A B C	Screw-sup/mold body,8-18 x 1 ,(4)
24	3206335	A B C	Lever-arm
25	3206336	A B C	Screw-arm levr/sprt,8-18 x 9/16
26	3206337	A B C	Screw-thermo/sprt,4-24 x 3/8 ,(4)
27	3206338	A B C	Screw-sw&spcr/plate,4-40 x 1
28	3206339	A B C	Screw-timing stop,4-40 x 3/8
29	3206340	A B C	Screw-mtr & sw/plate,4-40 x 3/4
30	3206341	A B C	Screw-timing,8-32 x 1
31	3206342	A B C	Insulator
32	3206343	A B C	Plate-valve switch
33	3206344	A B C	Spring
34	3206345	A B C	Screw-mtg plate/sprt,8-18 x 7/16
35	3206346	A B C	Screw-gear/cam,6-20 x 0.437
36	3206347	A B C	Cover-complete
37	5303320544	A B C	Data Sheet,ice maker
38	5303207445	A B C	Envelope-data sheet
44	5308000133	A B C	Clamp,nylon ,.75 OD tube
45	5303001343	A B C	Screw,hex wshr hd ,8-15A x .5 ,spec
46	5303001193	A B C	Clamp-inlet tube,metal
51	215811600	A B C	Tube-fill
55	218832401	A B C	Valve-water filter,dual solenoid ,115V ,w/nut
55*	218873001	A B C	Cap-water valve
59	5303001191	A B C	Sleeve-tube insert
60	5303207328	A B C	Screw,hex wshr hd ,8-15A x 1
61	218721500	A B C	Bracket-leveling,ice maker
62	218737900	A B C	Screw-IM mtg brkt,hex hd ,#8-32 x 3/8
64	5303001549	A B C	Clamp-copper tube,steel
78	5308000039	A B C	Screw,hex wshr hd ,8-32CA x 0.500 ,serrated head
141#	218859701	A B C	Valve-water filter,single solenoid ,115V,w/nut
*	215290100	A B C	Screw-solenoid valve,hx hd-slot wshr ,12-24 x 3/4
*	218699501	A B C	Icemaker,*
*	218731600	A B C	Nut,7/16 x 20 ,nylon
*	5308000200	A B C	Nut,7/16 x 20 ,nylon
*	218836401	A B C	Deflector-air,ice maker