

P450/P650/P850

owners manual

table of contents

introduction	1
about this manual	2
features of your PowerPlate™	2
warning and tips	3
system planning	4
signal sources	4
system configurations	6
mounting locations	11
installation	12
controls and connections	13
multi-cross™ crossover and configurations	16
tuning	17
troubleshooting	19
specifications	21
warranty information	22

introduction

Although it may be hard to remember, back in the 1970's, car audio as we now know it didn't really exist. Sure, music lovers could buy a cassette or 8-track tape deck and some 6" x 9" three-way speakers. Advanced stereo buffs might even add a "power-booster" to increase output to as much as 12 watts RMS! But none of this really delivered the power to cut through road noise with sound quality that compared with the best home audio. Not until 1979 that is, when a/d/s/ introduced the revolutionary PowerPlate™ P100 amplifier and 300i 2-way plate loudspeakers. Aesthetically, the P100 introduced the low profile design which has been an a/d/s/ trademark to this day. Technologically, the P100 combined a high efficiency switching power supply with a state-of-the-art, discrete high-current stereo power amplifier. For the first time, a car audio system existed with the musical integrity and dynamic range that made you want to take long drives to nowhere, just to listen to the music. High quality car audio was born, and the original a/d/s/ PowerPlate™ P100 made it happen.

The latest improvements to the PowerPlate™ line-up include increased heatsink area to facilitate higher power output, and fully balanced high-level inputs compatible with any source. The amplifier you have purchased is an enhancement of the respected P-series multichannel amplifiers. In this version, we have improved upon the already acclaimed sound quality by addressing internal details, and upgrading selected components to incorporate the latest technology which may not have been available when the P-series was originally designed. Selected low-noise, high-speed Burr-Brown op amps are used in critical circuits. Class-A biasing is used throughout the voltage-gain and active crossover stages. Numerous modifications and "tweaks" were also performed which improve the power supply dynamics and reduce noise. These changes improve transparency and dynamic linearity, resulting in a smoother and more detailed top-end, tighter bass, more explosive dynamic contrasts, and virtually holographic imaging. Left intact are the P-series unequalled flexibility, high efficiency and superb reliability. These, along with multi-channel design, are fundamental in the a/d/s/ approach to systems engineering, which makes achieving true high fidelity reproduction simple and predictable in any installation.

warranty

There are two things you must do to ensure trouble free service in the event you need warranty repairs.

1. Keep your original sales receipt in a safe place. A copy of the receipt will be required to obtain warranty service.
2. Be sure your retail dealer has written the date, model number and serial number (if applicable) of the product on the receipt. To give yourself an extra measure of protection, make a separate record of the information about your purchase and keep it in a safe place. In the event you misplace the sales receipt, your dealer may be able to give you a copy.

Take a moment now to read the terms of your warranty. Check to be sure your sales receipt is dated and has the product model number and serial number (if applicable) on it. Then put it away in a safe place.

When shipping a Product in for service:

- Enclose a copy of your original sales receipt that has the date, product model number and serial number (if applicable) written on it.
- Always ship Products in the complete original packing material.
- Avoid shipping Products via the postal service. If you must use the postal service, be sure to register and insure the package.

a/d/s/ Limited Warranty

Analog and Digital System, Inc. (a/d/s/) warrants to the original consumer purchaser of the a/d/s/ Products described in this manual, that the Product will be free from defects in materials and workmanship for a period of one (1) year after the date of purchase, if the Product is installed by an authorized a/d/s/ retail dealer, the warranty is extended to three (3) years. a/d/s/ sole obligation under the warranty shall be to provide, without charge, parts and labor necessary to remedy the defects, if any, that appear during the warranty period.

This warranty is the sole and exclusive express warranty given with respect to the Product. All other express warranties are hereby excluded. Neither a/d/s/ nor the authorized dealer who sells the Product is responsible for indirect, incidental, or consequential damages. Some states do not allow the exclusion or limitation of incidental or consequential damages, so the above limitation or exclusion may not apply to you. This warranty gives you specific legal rights and you may also have other rights which vary from state to state.

IMPORTANT – Keep your original sales receipt. Be sure the retail dealer has written on it the date, model number and serial number (if applicable) of the Product. This information is required for warranty service.

This warranty is limited to:

- Products purchased from authorized a/d/s/ retail dealers in the United States. a/d/s/ will supply a list of authorized dealers on request.

In order to obtain warranty service you must:

- Return the Product, freight prepaid, to the a/d/s/ dealer from which it was purchased, an authorized a/d/s/ independent service agency, or to a/d/s/. If necessary you may call the a/d/s/ Customer Service Department for the names and addresses of authorized independent service agencies in your area.
- Provide proof of purchase in the form of a copy of your original sales receipt. The date, model number and serial number (if applicable) of the Product must be written on the sales receipt.

This warranty does not cover:

- Damage that is the result of misuse, abuse, accident (including but not limited to damage by water), faulty hookup, defective or maladjusted associated equipment, or the use of the Product with equipment of which it was not intended.
- Cosmetic defects that appear more than thirty (30) days after the date of purchase. Cosmetic damage caused by improper handling is also excluded.
- Products that are used for commercial purposes.
- The cost of removing or reinstalling the Product.
- Damage that occurs while the Product is being shipped to whoever will service it. See the information above regarding shipping procedures.

This warranty is void if:

- The Product identification or serial number is removed or defaced in any way.
- The Product is serviced or repaired by anyone other than a/d/s/ or an authorized a/d/s/ dealer or service agency.

specifications

amplifier section

power output 4W (watts) ¹	50/channel 150/bridged channel pair
power output 2W (watts) ²	75/channel
distortion all channels driven 0.1%	20Hz to 20,000Hz
frequency response ±1dB	10Hz to 30,000Hz
signal-to-noise ratio full	
bandwidth @ rated output power	>90dB
damping factor @ output	
connector full bandwidth	>150
input sensitivity	100mV to 8Vrms for full output
input impedance	47 kW
recommended fuse type	
P850	2 X 40 ATC
P650	2 X 30 ATC
P450	1 X 40 ATC

crossover section³

ch 1 & 2	high-pass
ch 3 & 4	high-pass & low-pass
ch 5 & 6	high-pass & low-pass (P850), low-pass (P650)
ch 7 & 8	low-pass

dimensions

P850	13" X 2" X 16 1/8" (330mm X 50mm X 410mm)
P650	13" X 2" X 14 1/8" (330mm X 50mm X 359mm)
P450	13" X 2" X 11 1/8" (330mm X 50mm X 283mm)

- 1 All channels driven, continuous FTC rated 4W load, 20Hz to 20,000Hz, <0.1% THD, power input voltage at 13.8DVC.
- 2 All channels driven, continuous FTC rated 2W load, 20Hz to 20,000Hz, <0.1% THD, power input voltage at 13.8DVC.
- 3 All channels are selectable with infinitely variable adjustments from 45Hz to 5,000Hz with a slope rate of 12dB/octave and a "Q" of .707.

about this manual

To get the most from your a/d/s/ PowerPlate™, we recommend that you have the installation performed by your qualified authorized a/d/s/ dealer. If this unit is installed by your dealer, we will extend the warranty to three years instead of the standard one year. However, if you feel that you have the necessary skills and prefer to perform the installation yourself, this manual will guide you through the process of installation and set-up. Please read through it completely before beginning the installation so that you may familiarize yourself with the total procedure before you begin. If there is anything that you do not fully understand, please consult with your a/d/s/ dealer before attempting the installation.

keep listening, but be safe!

Sustained listening to loud music over 100dB has been shown to cause permanent hearing damage. Systems using a/d/s/ components are capable of achieving volume levels which substantially exceed this level. When operating your system for sustained periods at high volume, be sure to use hearing protection to prevent long-term exposure. We want you to be able to enjoy the music for many more years.

features of your PowerPlate™

Transient Perfect™ MOSFET Power Supply – The heart of the P-series, this supply frees the PowerPlate™ from the constraints of common pwm (pulse width modulated) supplies. The advantages are: extremely fast overload recovery time, low output impedance for superior damping, and stability during voltage fluctuations for reliable performance in the harsh automotive environment.

Remote Subwoofer Control Capability – Can be used with accessory control AC502 to provide a dashboard mounted subwoofer or rear channel level control

Detachable Plug in Connectors – High current speaker and power connectors simplify installation.

Multi-cross™ Variable Built-in Crossovers – High-pass, Low-pass and Bandpass functions are built-in, virtually eliminating the need for external crossover networks in even the most elaborate systems.

PowerPlate™ Design – a/d/s/ original low profile, high efficiency heatsink design keeps size minimum and allows mounting where space is limited.

Wide Input Sensitivity Range – Allows connection to virtually any source unit from factory OEM radios through low output preamps.

Simultaneous Stereo and Mono – Each channel pair may be used Stereo, Mono, Bridged or both Stereo and Mono simultaneously. This allows an additional Mono speaker to be used with a stereo pair for center-channel or subwoofer applications from each channel pair.

Same Side Adjustments – The P-series PowerPlate™ makes system adjustment easy by organizing all signal processing controls on one side of the amplifier. This layout allows convenient system adjustment and facilitates a variety of installation possibilities when access to the controls is desired.

Warnings and tips

Always disconnect the battery ground wire before doing any work on your vehicle. Reconnect the cable only after the installation is complete and the wiring has been checked to make sure that there are no problems. If your radio features a code type security system, be sure you know the code before disconnecting the battery!

Your a/d/s/ PowerPlate™ should be installed in 12V negative ground vehicles only. Connection to other types of electrical systems may cause damage to the vehicle or the amplifier.

Wear Eye and Ear protection when using power tools.

Before cutting or drilling carefully inspect the area to make sure there is no electrical wiring, fuel lines or brake lines which could be damaged. Sometimes these components may be hidden between double-walled panels, so be very careful.

Do not bypass or modify the fuses, or replace with one of a higher rating. The fuse should not fail under normal operation. Repeated blowing indicates a problem with the amplifier or improper installation.

An additional power supply line fuse (not supplied) must be installed on the 12V supply line and located as close as possible to the battery in order to protect the wire in the event of a short circuit.

Make sure the system is turned off when making or breaking any connections.

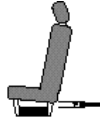
Do not use your PowerPlate™ with speakers which have either terminal connected to the speaker frame or to the vehicle chassis.

Mounting locations

PowerPlate™ in a place that protects it from the elements. In addition, mount the PowerPlate™ on a stable, flat mounting surface. Whenever possible, pre-drill the mounting holes. Remember to check behind the panel for hidden dangers in the form of hoses, fuel or brake lines or electrical wiring. Use a marking pen or awl to mark the hole locations and pre-drill using a 1/8" bit.

Passenger compartment mounting

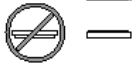
All PowerPlates™ have been designed with a low profile to make under seat mounting possible. Regardless of where you choose to mount your PowerPlate™ be sure to keep a minimum of 1" of clearance around the amplifier for adequate airflow to prevent overheating.



Trunk compartment mounting

The most common mounting location is in the trunk or cargo compartment. For optimum cooling, mount the PowerPlate™ chassis vertically with the fins running vertically, or mount the PowerPlate™ horizontally with the fins pointing upward. Avoid horizontal mounting locations with the fins pointing downward.

Also, locate the PowerPlate™ where it, and connections to it, will not be damaged by cargo or tools which may shift during vehicle operation.



Engine compartment mounting

Don't even think about it! The PowerPlate™ was not designed to endure the harsh chemical and heat environment of the engine compartment. Failure to obey this warning will void your warranty.



symptom	possible cause	action to take
distorted output (cont'd)	speakers are blown	check system with known working speakers and repair or replace as needed
poor bass response	Speakers wired with wrong polarity causing cancellation at low frequencies	check speaker polarity and repair as needed
	crossover set incorrectly	reset crossovers referring to the multi-cross™ crossover configuration section of this manual for detailed instructions
battery fuse blowing	impedance load to amplifier too low	check speaker impedance load, if below 2W stereo or 4W mono rewire speakers to achieve a higher impedance
	short in power wire or incorrect power connections	check power and ground connections and repair as needed
	fuse used is smaller than	replace with proper fuse size recommended
	too much current being drawn	check speaker impedance load, if below 2W stereo or 4W mono rewire speakers to achieve a higher impedance check power and ground connections and repair as needed
amplifier fuse blowing	too much current being drawn	Check speaker impedance load, if below 2W stereo or 4W mono rewire speakers to achieve a higher impedance and replace with recommended fuse size check power and ground connections and repair as needed
	fuse used is smaller than recommended	replace with proper fuse size recommended

Troubleshooting

symptom	possible cause	action to take
no output	low or no remote turn-on input	check remote turn-on voltage output at amplifier and correct as needed
	fuse blown	check power wire integrity and reversed polarity, repair as needed and replace fuse
	power wires not connected	check power wire and ground connections and repair or replace as needed
	audio input not connected or no output from source	check input connections and signal integrity, repair or replace as needed
	speaker wires not connected	check speaker wires and repair or replace as needed
audio cycles on and off	speakers are blown	check system with known working speaker and repair or replace speakers as needed
	thermal protection engages when amplifier heatsink temperature exceeds 90° C	make sure there is proper ventilation for amplifier and improve ventilation as needed
	loose or poor audio input	check input connections and repair or replace as needed
distorted output	amplifier level sensitivity set too high: exceeding maximum output capability of amplifier	reset gain referring to the tuning section of the manual for detailed instructions
	impedance load to amplifier too low	check speaker impedance load if below 2W stereo or 4W mono rewire speakers to achieve a higher impedance
	shorted speaker wires	check speaker wire connections and repair or replace as needed
	speaker not connected to amplifier properly	check speaker wiring and repair or replace as needed refer to the installation section of this manual for detailed instructions
	internal crossover not set properly for speaker	reset crossovers referring to the multi-cross™ crossover configuration section of this manual

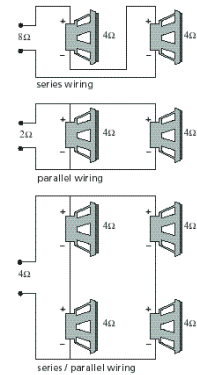
system planning

Proper system planning is the best way to maximize your PowerPlate™'s performance. By planning your installation carefully you can avoid situations where the performance or the reliability of your system is compromised. Your authorized a/d/s/ dealer has been trained to maximize your system's sonic potential. Your a/d/s/ dealer is a valuable resource in helping you with your system design and installation.

speaker requirements

Each channel of your PowerPlate™ can easily drive 2W speaker loads when used in the stereo mode. When a channel-pair is bridged, the recommended minimum load impedance is 3W for subwoofer use, and 4W for full range operation. Although operation with lower impedances is not likely to cause immediate damage to the internal circuitry, the unit will most likely overheat, causing the thermal protection circuitry to shut down the amplifier. When the chassis cools down, normal operation will resume. Continuing to operate the amplifier under these conditions is not recommended and will reduce its life expectancy.

Most speakers designed for car audio operation are 4W impedance. Connecting two such speakers in parallel will result in a 2W impedance load as seen by the amplifier. Some a/d/s/ subwoofer models feature a dual 4W voice coil design. Connecting these voice coils in parallel will result in a 2W nominal impedance which is not recommended for use with bridged channels of your PowerPlate™.



system configurations

All a/d/s/ PowerPlates™ provide extensive features which make a variety of system configurations possible. It is not feasible to cover all of the possibilities within the few pages of this manual. There are a few system configurations, however, which are extremely popular when used alone or as a "building block" of a larger more elaborate system. Please review systems 1 through 4 described below for suggestions on how to configure the most popular combinations. Larger systems may be built from a combination of the simpler building blocks as shown in systems 5 and 6.

○ button is disengaged

● button is engaged



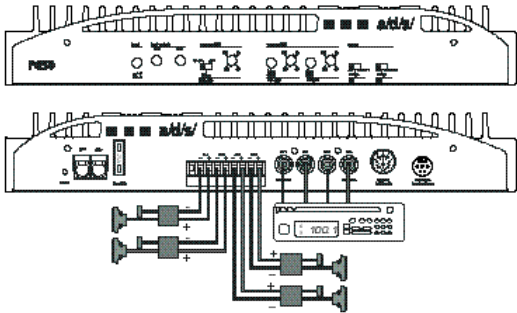
control is non-operational



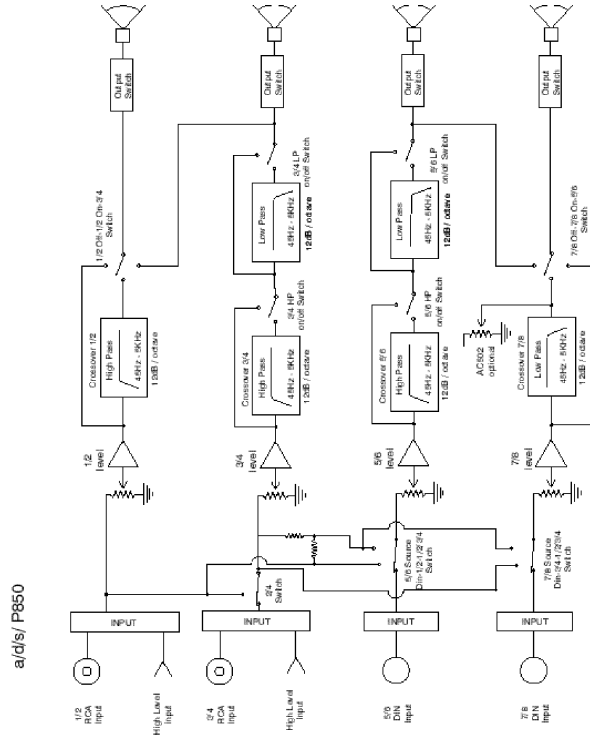
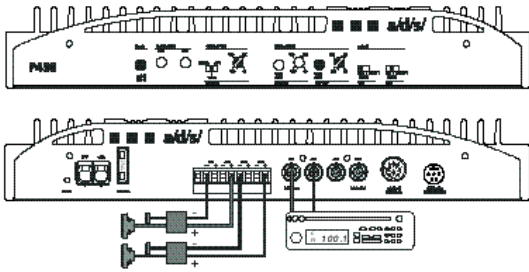
control is operational

P450 system diagrams

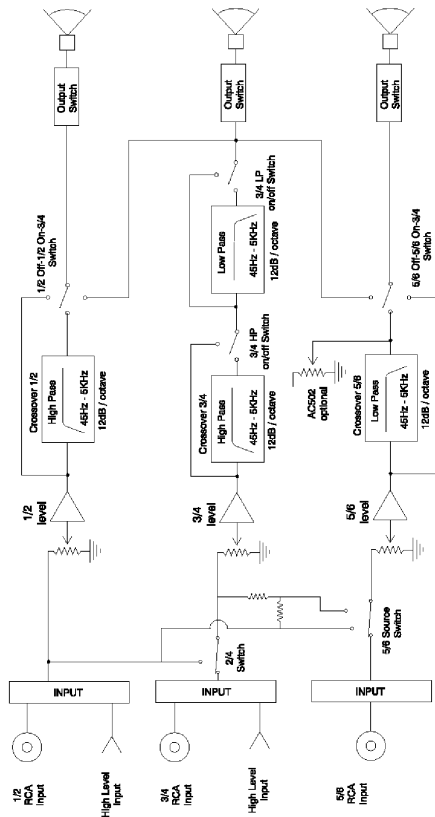
System 1 - P450 used in 4-channel mode with front and rear full range speakers.



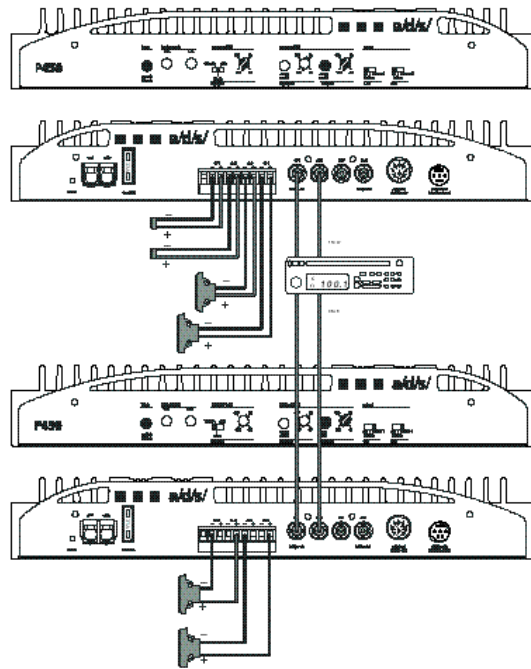
System 2 - P450 used in 2-channel bridged mode with full range speakers.



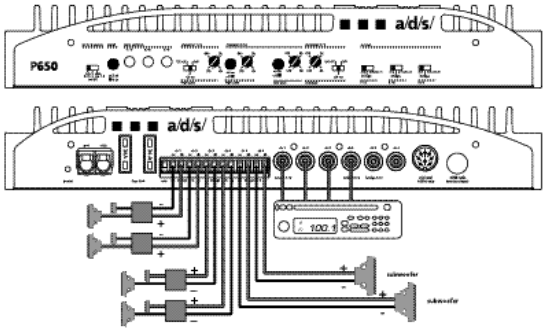
a/d/s/ P650



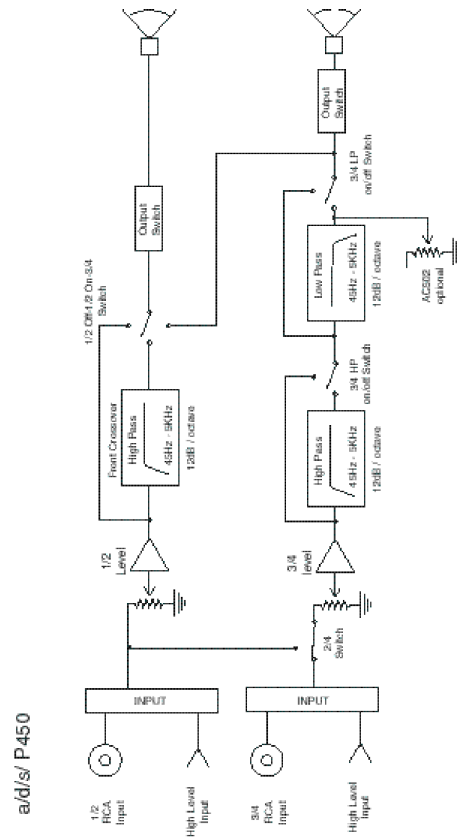
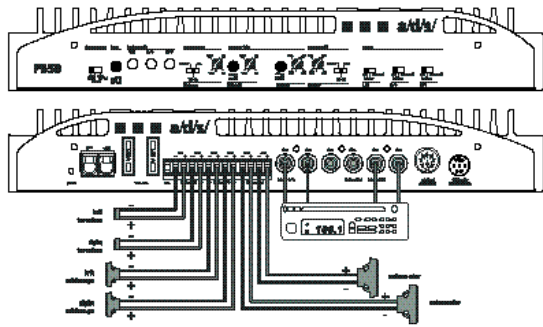
System 3 - Two P450's; one is used to drive front tweeters and midrange drivers, the second is used in 2-channel bridged mode for subwoofers. Subwoofer level can be controlled by using the source's front output for the first P450 and the rear output for the second P450.



System 1 – P650 used in 6-channel mode. Channels 1/2 are high-passed for front speakers. Channels 3/4 are high-passed for rear speakers. Channels 5/6 are low-passed for subwoofers. Although shown with 4-channels of input, the source unit can be either 2- or 4-channel.



System 2 – P650 used in 6-channel mode. Channels 1/2 are high-passed for front speakers. Channels 3/4 are high-passed for midrange speakers, and channels 5/6 are low-passed for subwoofers.



a/d/s/ P450

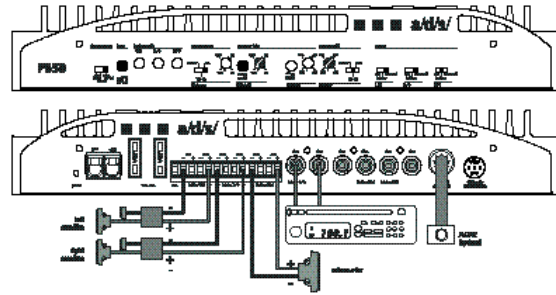
adjusting input sensitivity

The input sensitivity setting is important to ensure proper performance, low noise levels, and maximum system reliability. As a general rule, components at the "front end" of the system should be set as high as possible with the input sensitivity of the amplifier set as low as possible while still providing adequate volume levels. Using a high signal level from the source and a low input sensitivity setting on the amplifier will keep the background noise levels of the system low. The following procedure will help you get the widest dynamic range from your system:

1. Start with the input level controls of your PowerPlate™ at the minimum (counterclockwise) position.
2. Set the tone controls and any controls on any equalizers or other signal processors to their flat or bypassed positions.
3. Set the input and output level controls, if any, on any associated equipment such as equalizers or outboard electronic crossover as recommended by their manufacturers.
4. Select a well recorded CD or Tape containing material recorded at a fairly high level. Musical content is not important except that the music chosen should be recorded such that any system distortion can be clearly heard, not masked by musical content.
5. Increase the source unit volume control about halfway. Increase the PowerPlate™ level control associated with the front full range (or midrange in a bi-amplified front system) until you can hear sound at a low but clear level.
6. While listening carefully for any signs of distortion, slowly increase the source unit volume control until you either hear the first signs of distortion or you can't turn it up any more. Back down on the volume control slightly until the distortion goes away. You have just found the maximum undistorted output level of your source unit. Do not exceed the level in normal operation, as doing so will just send a distorted signal to the rest of the system.
7. Returning to the PowerPlate™ level control associated with the front main speakers, slowly increase it until you reach the point where distortion just begins to appear. This will be at the point where either the amplifier reaches its maximum output level, or the speakers reach their output limits. Either way, you have just calibrated the system so that the maximum system output occurs at the same point as the maximum output from the source. This will give you minimum system noise yet the system will reach its maximum output capability.
8. Reduce the source unit volume to a comfortable listening level. With the balance and fader controls still centered, adjust the remaining level controls for the proper system balance. If you are adjusting a system with multiple amplifiers, it is easiest to adjust the controls in the following order: 1. Front speakers 2. Rear speakers 3. Subwoofers
9. If using an AC502 remote level control, adjust the subwoofer level with the AC502 in the mid position. This will give you the ability to boost the subwoofer level approximately 6dB when the AC502 is turned fully clockwise.
10. Double check your system levels by increasing the source unit volume control to the previously determined maximum position. If you hear distortion from any of the channels, reduce the PowerPlate™ input level for those channels until the distortion goes away.

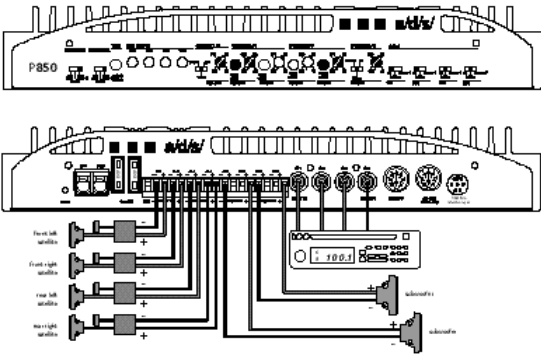
Adjusting the input levels in this way will get maximum undistorted output from your system and will make it unlikely that you will cause damage to any of the components of your system by overpowering them.

System 3 – P650 used in 3-channel mode. Channels 1/2 and 3/4 are high-passed and bridged for front speakers. Channels 5/6 are low-passed and bridged for a single subwoofer.

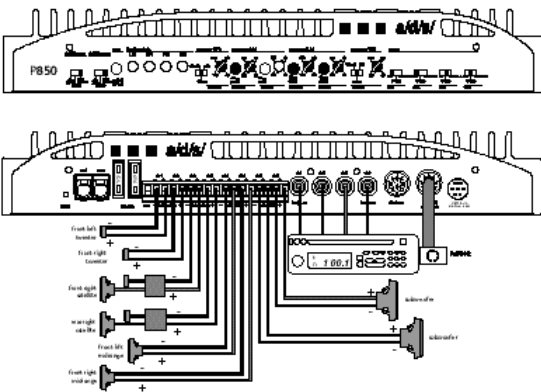


P850 system diagrams

System 1 – P850 used in 6-channel mode. Channels 1/2 are high-passed for front speakers channels 3/4 are high-passed for rear speakers, and channels 5/6 and 7/8 are bridged low-pass for subwoofers. Although shown with 4-channels of input, the source unit can be either 2- or 4-channel.

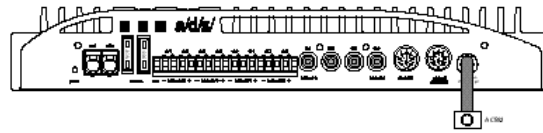


System 2 – The P850 is used in 8-channel mode. Channels 1/2 are high-passed for front tweeters. Channels 3/4 are band-passed for front midrange. Channels 5/6 are high-passed for rear speakers, and channels 7/8 are low-passed for subwoofers. Although shown as a 4-channel input, the source unit can be either 2- or 4-channel.



Using the AC502 (optional)

The AC502 remote level control, available as an accessory from your a/d/s/ dealer, may be used with your PowerPlate™ to remotely adjust the level of your subwoofer. On the P450, the AC502 will control the level of the low-pass output of the 3/4 crossover. If the 1/2 crossover switch is in the 3/4 position the 1/2 level will also be controlled. You can use P450 as a bridged two channel subwoofer amplifier this way. On the P650 the AC502 will control the level of the low-pass output of the 5/6 crossover. On the P850 the AC502 will control the level of the low-pass output of the 7/8 crossover. To use this feature, simply connect the AC502 into the DIN connector on the Powerplate and install the AC502 in the desired location. Refer to the "adjustments" section for information on setting up the AC502 for the appropriate adjustment range.

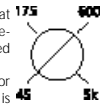


tuning

tuning the crossover

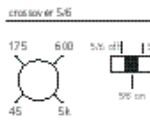
All of the crossover controls in the multi-cross™ crossover section are marked at four reference frequency points. These are 45Hz, 175Hz, 600Hz and 5,000Hz. Specific crossover points should be chosen based on the operating range recommended by the manufacturer of your speakers.

The 85Hz position is a good starting point to use for subwoofer low-pass or midrange high-pass use. When bi-amping a/d/s/ loudspeaker components 2500Hz is a good starting point for the midrange low-pass, and 3500Hz is recommended as the tweeter high-pass. Once installed, you can fine tune the crossover points using your ears or with the aid of an RTA to achieve maximum performance. With any loudspeaker, minor deviations from the recommended frequency ranges may provide superior results, depending on your speaker locations and your vehicle's acoustics. Setting crossover frequencies higher than recommended will not cause damage and may provide good results. However, DO NOT set high-pass tweeter crossover points below the tweeter's recommended operating range. Doing so will likely cause damage not covered by the manufacturer's warranty. If you are using non-a/d/s/ speakers, refer to the manufacturer's recommendation for selecting the proper crossover frequencies.

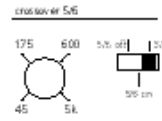
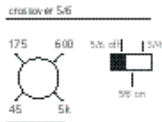


rossover control 5/6 (P650) – The crossover selection for channels 5&6 has three possibilities:

When the switch is in the left position, the crossover section of the amplifier is bypassed. Channel 5&6 output is full range.

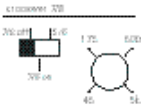


When the switch is the center position, channels 5&6 are filtered through a 12dB per octave high-pass crossover that is infinitely variable from 45Hz to 5,000Hz.



When the switch is in the right position, channels 5&6 receive signal from the crossover output of channels 3&4.

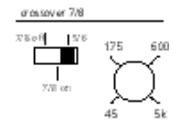
rossover control 7/8 – The crossover selection for channels 7&8 has three possibilities:



When the switch is in the left position, the crossover section of the amplifier is bypassed. Channel 7 & 8 output is full range.



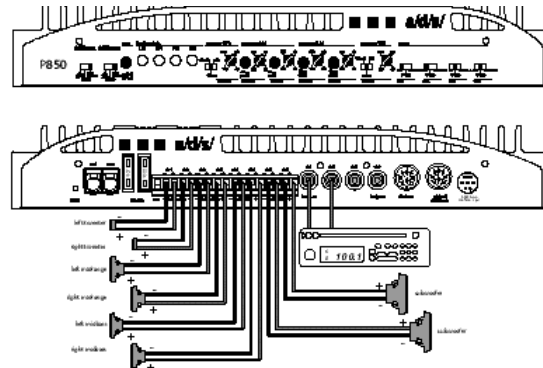
When the switch is the center position, channels 7 & 8 are filtered through a 12dB per octave high-pass crossover that is infinitely variable from 45Hz to 5,000Hz.



When the switch is in the right position, channels 7 & 8 receive signal from the crossover output of channels 5 & 6.

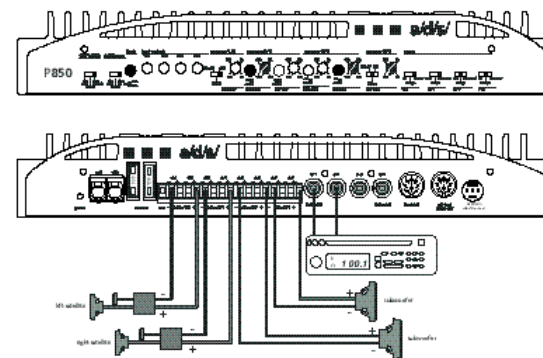
System 3 – The P850 is used in fully active 8-channel mode. Channels 1/2 are high-passed for front tweeters. Channels 3/4 are bandpassed for front midrange. Channels 5/6 are bandpassed for front midbass. Channels 7/8 are low-passed for subwoofers. The P850 is configured for 2-channel input.

Note: Optional AC502 can be used in this system to adjust the level of the subwoofers.



System 4 – The P850 is used in bridged 4-channel mode. Channels 1/2 and 3/4 are high-passed bridged-mono for front speakers. Channels 5/6 and 7/8 are low-passed summed bridged for subwoofers. Front speaker level control is adjusted by the ch3/4 level control. Subwoofer level is controlled by the ch5/6 level control. The P840.2 is configured for 2-channel input.

Note: Optional AC502 can be used in this system to adjust the level of the subwoofers.



installation

1. Disconnect the battery ground cable. Reconnect the ground cable only after the installation is complete and the wiring has been checked to make sure that there are no problems. If your radio features a code type security system, be sure you know the code before disconnecting the battery!
2. Run a minimum AWG #8 power wire directly from the battery to the PowerPlate™ mounting location. Install a fuseholder at the battery end of this cable either within 18" of the battery or before the wire runs through any metal partitions. Do not install the fuse at this time.
3. Attach a minimum AWG #8 ground wire to a solid chassis ground point near the mounting location. Keep this wire as short as possible. Scrape all paint and primer off of the sheet metal at the ground point to ensure a good electrical connection. Attach the wire to the ground point with a nut, bolt and star washer.
4. Run the signal leads and remote turn-on leads from the head unit to the PowerPlate™ location. If using an internally powered radio or factory radio refer to the "signal sources" section for the proper wiring connections.
5. Install the speakers and run each of the speaker leads to the PowerPlate™ location. Connect the speaker, remote, and power wires to the appropriate terminals on the plug-in terminal blocks. Refer to the "controls and connections" or "system planning" sections for information on the proper connections. The terminal blocks install with the set screws facing down.
6. Preset the 2/4 channel selector switch, crossover and channel mode switches, and crossover frequency switches to the desired positions. Refer to the "controls and connections" section for more information.
7. Adjust all amplifier input level controls to the 1/4 position.
8. Mount the amplifier into position and plug in the power and speaker terminals. Attach the input signal cables.
9. Reattach the battery ground cable.
10. Double check your switch and control settings. Install a 80A fuse in the fuseholder you have installed near the battery.
11. Turn on the signal source at a low volume level. Using the balance and fader controls, check to see that each channel is connected to the proper speakers. Make sure that the proper frequency range is being sent to each speaker if you are using the crossover features built in to your PowerPlate™.
12. Adjust the input sensitivity and crossover frequencies as described in the "tuning" section.
13. Read the rest of this manual to get maximum enjoyment from your system.

controls and connections

power connections

Use AWG #8 or larger power and ground cable.

Install a 80A fuse in the power wire within 18" of the battery.

Keep the ground wire to a minimum length and attach solidly to a clean metal part of the vehicle. The addition of a .5 Farad to 1 Farad power supply capacitor, mounted as close as possible to the PowerPlate™, may improve performance in some systems.

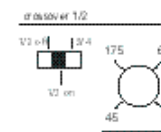
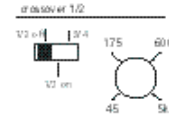
11



multi-cross™ crossover configuration

crossover control 1/2 – The crossover selection switch for channels 1 & 2 has three possibilities:

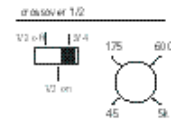
When the switch is in the left position, the crossover section of the amplifier is bypassed. Channels 1 & 2 output is full range.



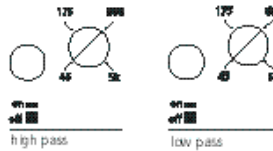
When the switch is in the center position, channels 1 & 2 are filtered through a 12dB per octave high-pass crossover that is infinitely variable from 45Hz to 5,000Hz.

When the switch is in the right position, channels 1 & 2 receive signal from the crossover output of channels 3 & 4.

Note: When the switch is in the right position, the output level is controlled by the ch 3/4 level control.



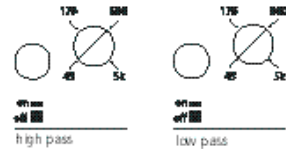
crossover 3/4



pass filter.

crossover control 5/6 (P850) – The crossover section dedicated for channels 5 & 6 are activated by depressing the switch next to the frequency adjustment control. Both high-pass and low-pass crossovers are infinitely adjustable from 45Hz to 5,000Hz. The high-pass and low-pass sections may be combined to create a bandpass filter.

crossover 5/6



Note: When using both sections to create a bandpass filter, make sure you have selected a low-pass frequency which is higher than the high-pass frequency!



16

internal signal routing, cont'd

Channels 5/6 input switch (P650 and P850) – selects input from three possibilities.

When the switch is in the left position, channels 5/6 receive input from the 5/6 DIN inputs.

When the switch is in the center position, channels 5/6 receive input from channels 1/2 RCA input.

When the switch is in the right position, channels 5/6 receive input from a summed input of channels 1, 2, 3, and 4 RCA input. Channel 5 receives the summed input of channels 1 and 3. Channel 6 receives the summed input of channels 2 and 4.



Channels 7/8 input switch (P850) – selects input from three possibilities.

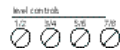
When the switch is in the left position, channels 7/8 receive input from the 7/8 DIN inputs.

When the switch is in the center position, channels 7/8 receive input from channels 3/4 RCA input.

When the switch is in the right position, channels 7/8 receive input from a summed input of channels 1, 2, 3, and 4 RCA input. Channel 7 receives the summed input of channels 1 and 3. Channel 8 receives the summed input of channels 2 and 4.



Level controls – Independent level controls for channels 1/2, 3/4, 5/6 and 7/8 adjust the input sensitivity from 90 mV to 5 VRMS.



Note: When crossover 3/4 output is selected for channels 1/2 and 3/4, the 3/4 level control adjusts the output level for channels 1/2 and 3/4 simultaneously. When crossover 5/6 is selected for channels 5/6 and 7/8, the 5/6 level control adjusts the output level for channels 5/6 and 7/8 simultaneously.

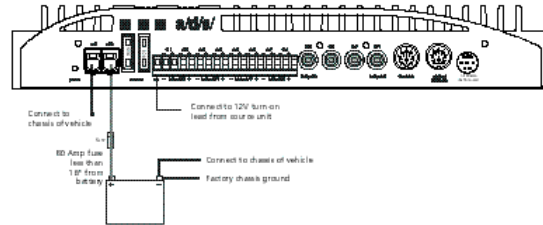
Output – Three-position switches determine the output configuration. Each stereo pair of channels can be configured in either stereo, summed-bridged or bridged-mono.



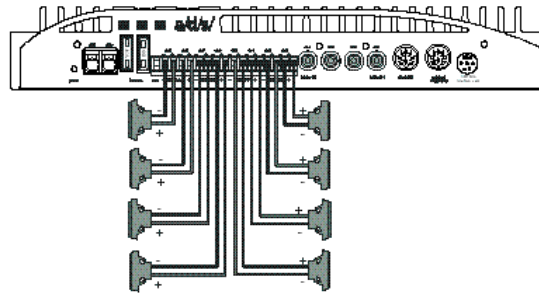
When the switch is in the left position, the output channels are configured for stereo operation.

When the switch is in the center position, the output channels are configured for summed mono bridged operation by mixing the left and right input signals together.

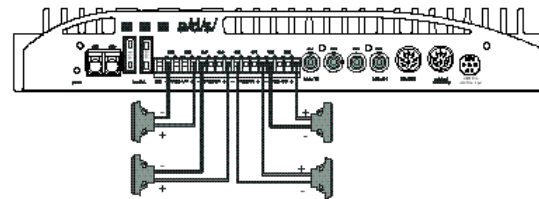
When the switch is in the right position, the output channels are configured for a bridged-mono output using a single RCA input. Ch 1 input is used for channels 1 & 2, ch 4 input is used for channels 3 & 4, ch 6 is used for channels 5 & 6 and ch 7 is used for channels 7 & 8.



speaker connections for stereo configurations
Minimum recommended impedance is 2W stereo.
Speaker terminals accept up to AWG #12 speaker wire.



speaker connections for bridged configurations
Minimum recommended impedance is 3W when bridged to subwoofers and 4W when bridged to full range speakers.
Speaker terminals accept up to 12 gauge speaker wire.



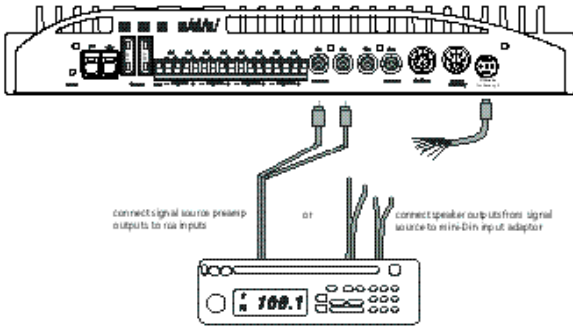
signal sources

Due to the wide input level adjustment range, all a/d/s/ PowerPlates™ can be driven with either a conventional preamplifier drive signal or the amplified signal from a powered source unit. This makes the PowerPlate™ perfect for upgrading an OEM (Original Equipment Manufacturer) stereo system while retaining the factory installed radio.

Because of the high impedance of the a/d/s/ input stage, the factory radio drives an easy load. This ensures lower distortion levels than if it was driving speakers or a Line Output Converter accessory. As a result, a high quality factory installed radio can deliver high quality sound which is nearly as good as the sound from a high-end aftermarket source unit. The speaker outputs of the factory radio are simply connected to a mini-DIN adapter as shown below. From this point on, the signal can be treated exactly as you would a preamp-level signal, except that the input level controls on the PowerPlate™ will be set to a lower than usual level when you make your final adjustments.

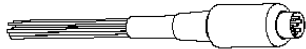
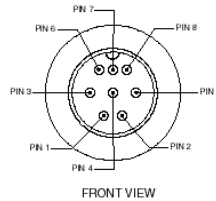
Conventional aftermarket sources may be connected using standard shielded RCA cables from the source unit's preamp outputs to the PowerPlate™ inputs.

Note: When using 4 channels of input, be sure to configure the 2ch/4 ch input switch to 4ch input. Failure to do so may result in damage to the source unit.



High-level MiniDin input connections:

Pin	Wire Color	Connects to Head Unit
1	gray	front right +
2	violet/black	rear right -
3	white	front left +
4	gray/black	front right -
5	white/black	front left -
6	green	rear left +
7	green/black	rear left -
8	violet	rear right +

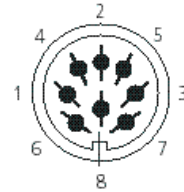


■ ■ ■ a/d/s/

Channels 3-8 can be accessed through the din 3-8 connector by using the optional AC202 RCA to DIN adapter.

DIN ch 3-8 connections:

pin 1	ch 6
pin 2	audio signal ground
pin 3	ch 4
pin 4	ch 5
pin 5	ch 3
pin 6	ch 8
pin 7	ch 7
pin 8	remote power control



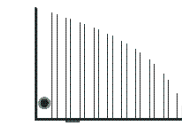
AC202 RCA audio inputs are color-coded as follows:

white	ch 3 & 4 input
blue	ch 5 & 6 input
yellow	ch 7 & 8 input

Note: ch 1/2 input not available through the DIN.

internal signal routing

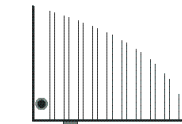
The 2-channel/4-channel input switch routes RCA input from channels 1/2 to channels 3/4. When the switch is engaged, channel 1 input is routed to both amplifier channels 1 and 3 with input channel 2 routed to amplifier channels 2 and 4.



Switch in the engaged position.



When the switch is disengaged, channels 1, 2, 3, and 4 receive signal individually from their respective inputs.



Switch in the disengaged position.

