

# YZ-50 MUSIC CONTROLLER

## user manual



### Warmly Tips:

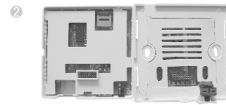
1. Apply to AC90V~250V.
2. When wiring, please follows the installation guide, if the wiring is wrong, it will cause some problems.
3. Speaker cable must be connected to the speaker terminal, not others.
4. After confirming the wiring is right, turn on the machine.
5. The machine is high-precision product, do not dismantle by yourself.
6. Don't alter any part of this machine.
7. If this machine has any problem when using, please contact with local distributor or our company.

### Installation and Removal:

1. Embedded 86mm back box, depth  $\geq 50$ mm, we suggest that the installation height is the same as the light switch.
2. Cables: power cord, audio cable, speaker cable. About the AVG, please refer to Connection Diagram of Output, please use conduit/slot to laying to ensure the cable's working life and stability.
3. Wiring: when many products, wiring in parallel, you can connect from the cable or distributing box



Twist the screws at the bottom



Open the machine.



After wiring, plug in the wiring terminal.



When finished, put it into back box, fix it with screws.

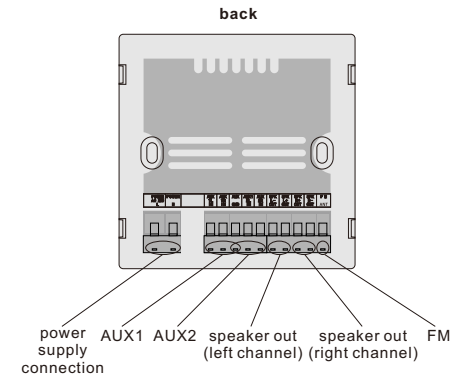
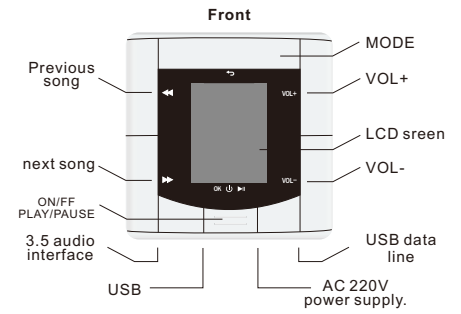


Cover the panel as shown.



Lock screws.

### Appearance Description



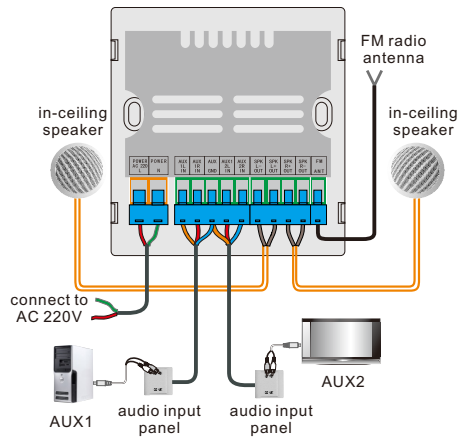
### Features

1. Built-in Philips amplifier.
2. Audio sources: AUX1/AUX2, you can connect your TV, PC, DVD, etc., 3.5mm audio interface, built-in TF card, U disk, FM radio.
3. Timer power-on/off: you can set any time, any volume, any audio source to power on, set any time to power off.
4. With memory function in case of power-down.
5. Installation is very easy, do not need the professional knowledge, DIY music space.

## operation instructions

- After connecting 220V power supply, push the switch to "ON", five seconds later, it will display "music", press 0K  $\downarrow$   $\blacktriangleright$  to turn on or turn off.
- PLAY/PAUSE**  
When play music, press 0K  $\downarrow$   $\blacktriangleright$  to pause, press again to play.
- FM radio**  
Press "FM radio" on the remote control, or 0K  $\downarrow$   $\blacktriangleright$  on the panel to select the FM radio then press 0K  $\downarrow$   $\blacktriangleright$  , enter into the FM radio, long press  $\leftarrow \rightarrow$  for 3 seconds or shortcut on the remote control to exit.
- Audio sources select**  
In the main interface, press  $\leftarrow \rightarrow$  to change audio sources, or operate it on the remote control.
- Setting time**  
In the main interface, press  $\leftarrow \rightarrow$  to enter into (settings), select (date/time setting).
- Volume adjustment**  
Press VOL- to reduce the volume, press VOL+ to increase the volume.
- Time power-on**  
On the main interface, press  $\leftarrow \rightarrow$  to enter into (settings), select (date/time setting), the press 0K  $\downarrow$   $\blacktriangleright$  , and select a1  
(1) When it is on, press 0K  $\downarrow$   $\blacktriangleright$  to select ON or OFF.  
(2) Set Ringer Tone: press 0K  $\downarrow$   $\blacktriangleright$  to select the song to start to play when it is power on, then press 0K  $\downarrow$   $\blacktriangleright$  .  
(3) Ring volume: press 0K  $\downarrow$   $\blacktriangleright$  to adjust volume, then press 0K  $\downarrow$   $\blacktriangleright$  .  
(4) Time: press 0K  $\downarrow$   $\blacktriangleright$  to set time of power on, then press 0K  $\downarrow$   $\blacktriangleright$  , press  $\leftarrow \rightarrow$  , A2 and A3 is the same as A1.
- Time power-off**  
Pls refer to the time power-on.
- Settings**  
Press "setup" on the remote control or  $\leftarrow \rightarrow$  on the panel to set.  
(1) Language Settings: Chinese/English  
(2) Reset to Factory Defaults: press 0K  $\downarrow$   $\blacktriangleright$  into "Reset to Factory Defaults", select Yes or No.  
Display Settings: press 0K  $\downarrow$   $\blacktriangleright$  into Display Settings, press  $\leftarrow \rightarrow$  on the remote control to select , press 0K  $\downarrow$   $\blacktriangleright$  .
- Copy or delete files.**  
Please use a data line to connect it to the PC (NOTE: when connect to the PC, pls shut down switch)
- After finished all settings, only restart the machine, it will works.

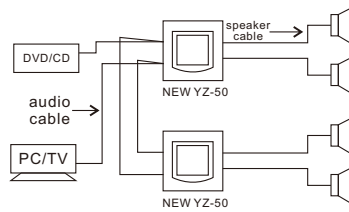
## Installation Diagram



## Wiring Description

Power supply: AC90V~250V, power cord  
Output: speaker cable, RVH2\*100 RVH2\*200  
Input: AUX1/AUX2, RVVP2\*0.5 RVVP2\*0.75  
FM radio antenna: solid wireline

## System Diagram



## Parameters

Audio format	MP3, WMA, APE, FLAC, AAC, AC3
Screen resolution	240*320

Music controller		FM radio	
Power supply	AC90V~250V	Tuning range	87.5Hz~108Hz
Load	4Ω~8Ω	SNR	60dB
Output power	2*12W	Stereo	30dB
Dimension	86*86*42mm	Frequency range	20Hz~20KHz
Weight	0.4kg		