

White Knight



SERVICE MANUAL

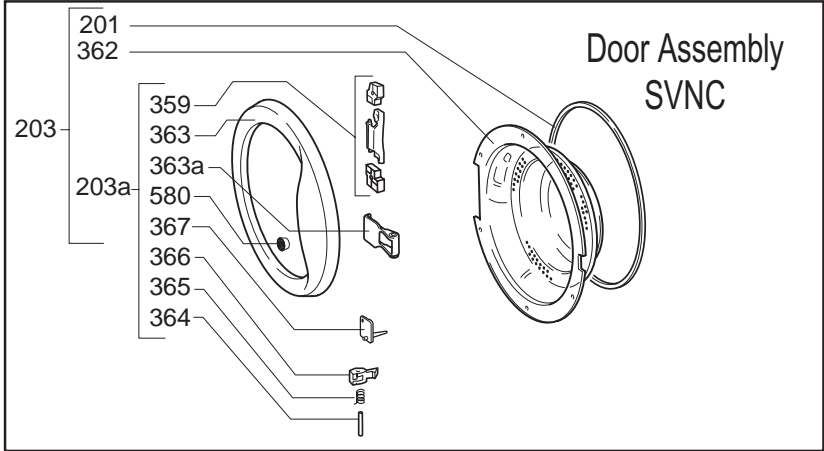
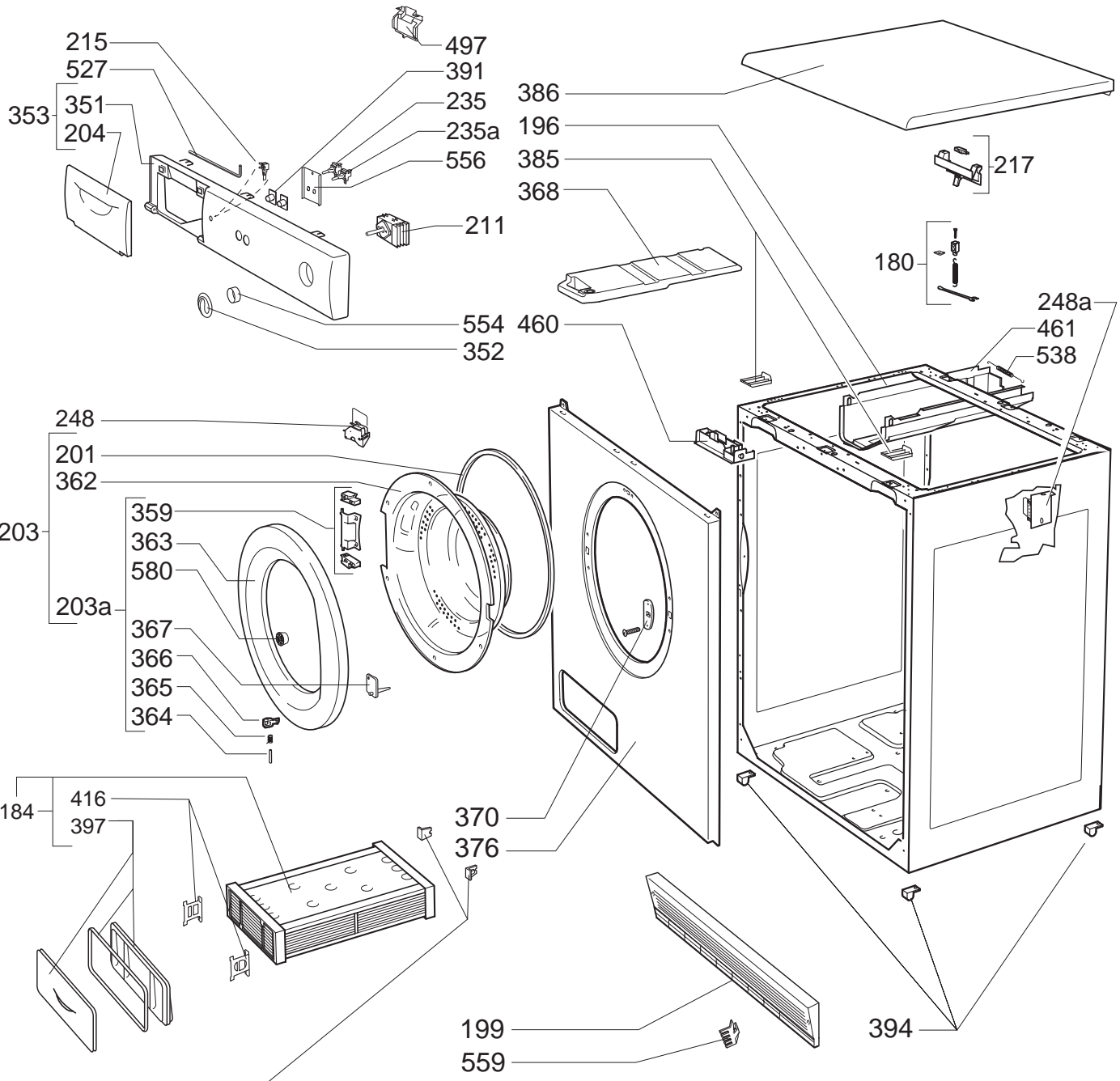
White Knight 767c - 0312 767 15009
White Knight 767SVNC - 0312 767 15312
Time Steered Condenser Dryer - UK



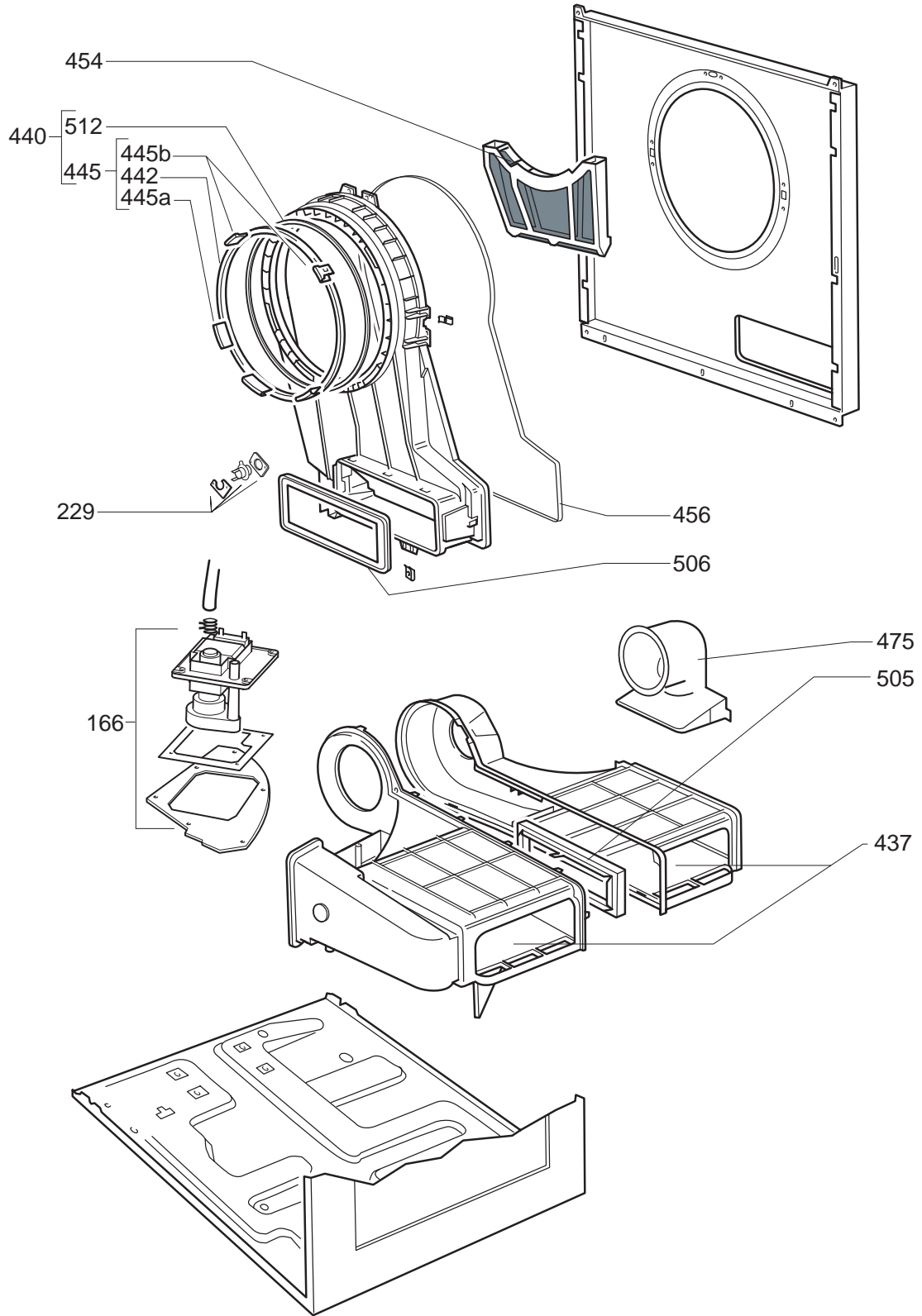
Wiring Diagram
Exploded Views
Parts List

October 2011

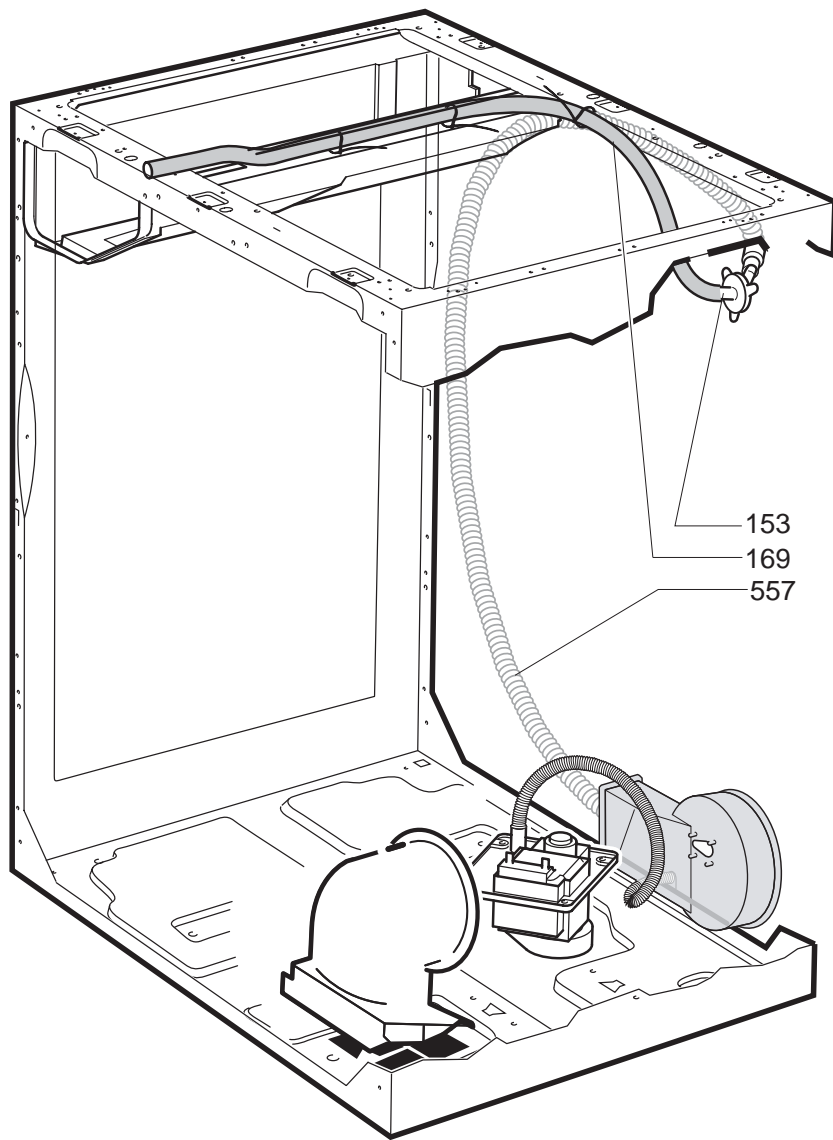
White Knight Flush Front Condenser Dryer - Exploded View 1



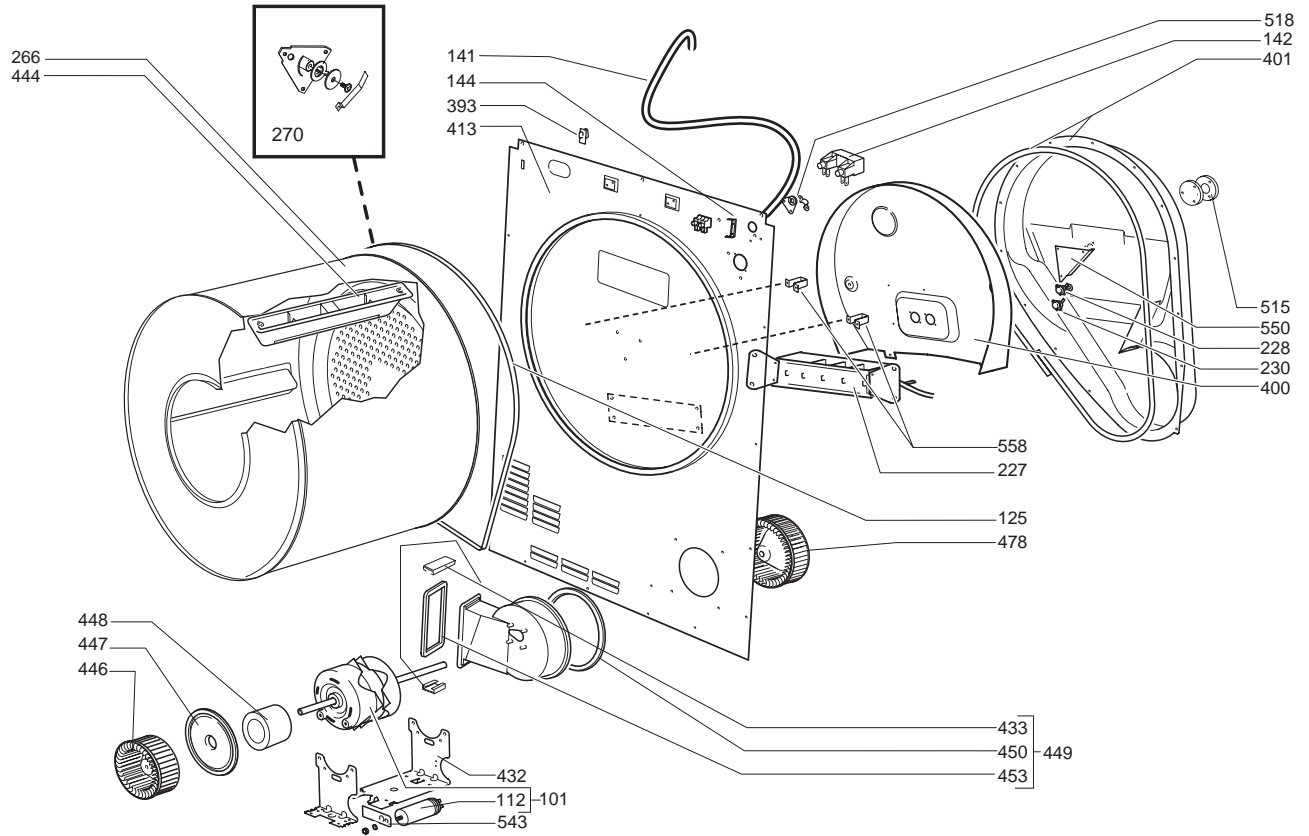
White Knight Flush Front Condenser Dryer - Exploded View 2



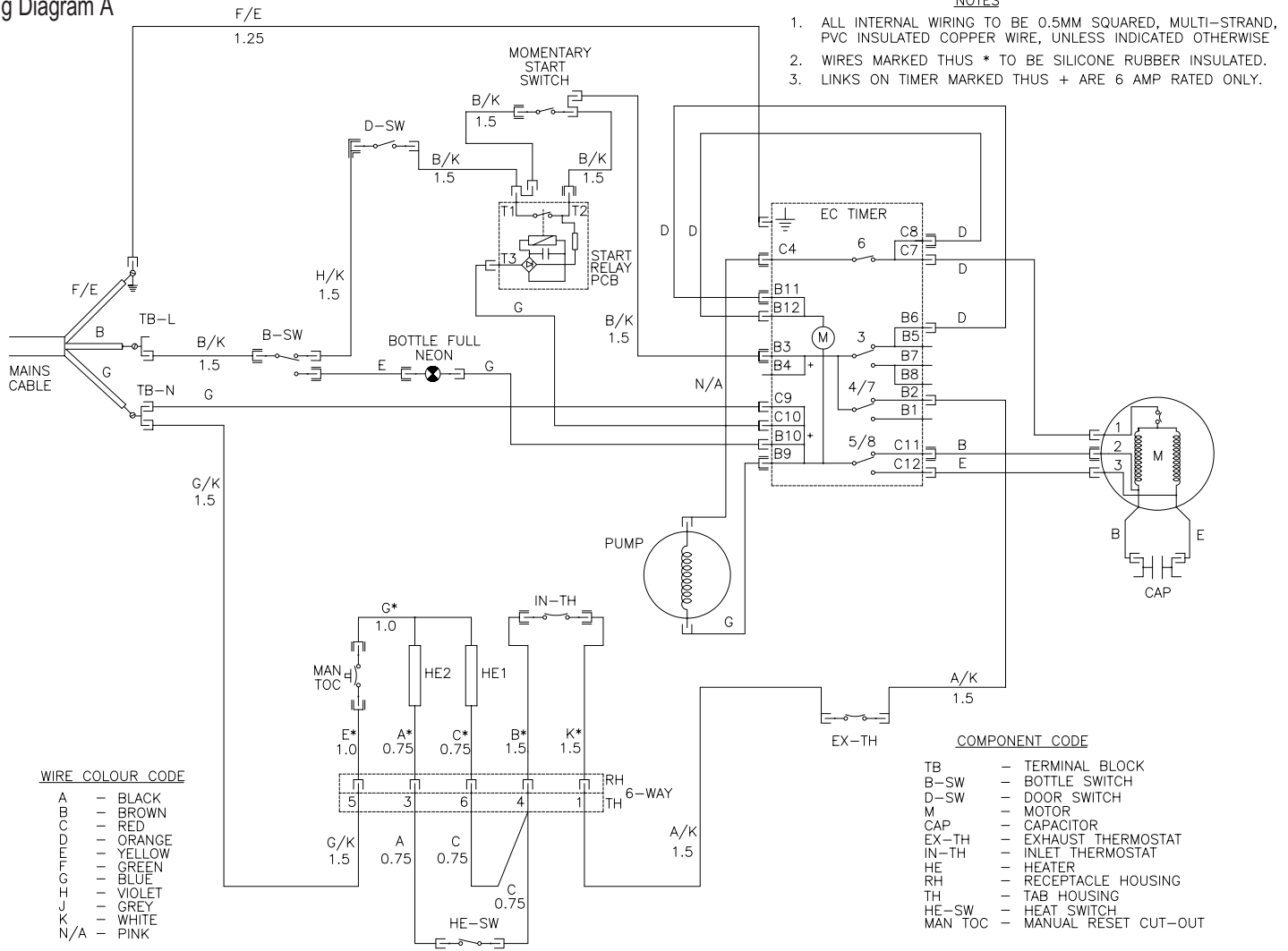
White Knight Flush Front Condenser Dryer - Exploded View 3



White Knight Flush Front Condenser Dryer - Exploded View 4



Wiring Diagram A



NOTES

1. ALL INTERNAL WIRING TO BE 0.5MM SQUARED, MULTI-STRAND, PVC INSULATED COPPER WIRE, UNLESS INDICATED OTHERWISE
2. WIRES MARKED THUS * TO BE SILICONE RUBBER INSULATED.
3. LINKS ON TIMER MARKED THUS + ARE 6 AMP RATED ONLY.

WIRE COLOUR CODE

A	-	BLACK
B	-	BROWN
C	-	RED
D	-	ORANGE
E	-	YELLOW
F	-	GREEN
G	-	BLUE
H	-	VIOLET
J	-	GREY
K	-	WHITE
N/A	-	PINK

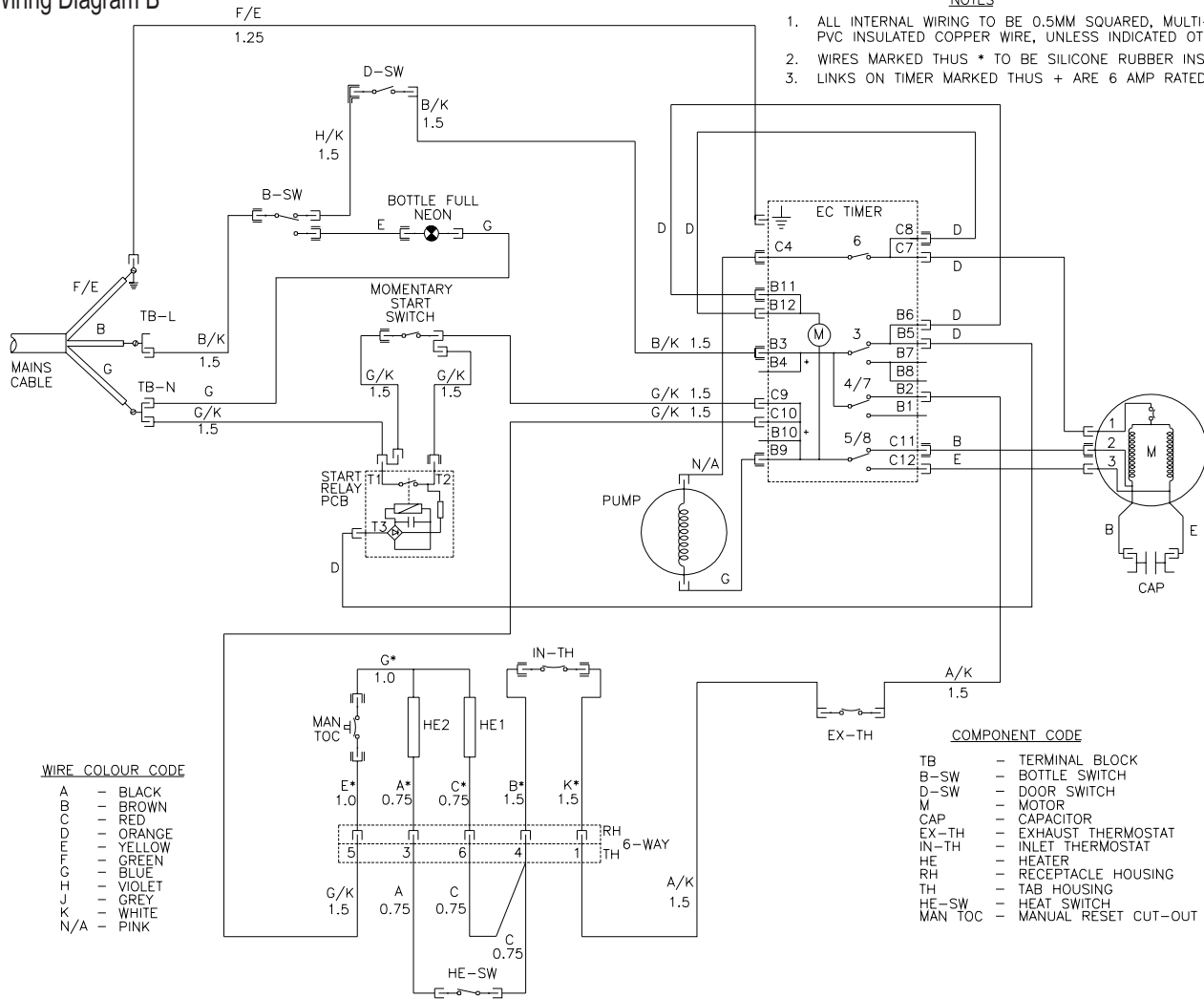
COMPONENT CODE

TB	-	TERMINAL BLOCK
B-SW	-	BOTTLE SWITCH
D-SW	-	DOOR SWITCH
M	-	MOTOR
CAP	-	CAPACITOR
EX-TH	-	EXHAUST THERMOSTAT
IN-TH	-	INLET THERMOSTAT
HE	-	HEATER
RH	-	RECEPTACLE HOUSING
TH	-	TAB HOUSING
HE-SW	-	HEAT SWITCH
MAN TOC	-	MANUAL RESET CUT-OUT

Wiring Diagram B

NOTES

1. ALL INTERNAL WIRING TO BE 0.5MM SQUARED, MULTI-STRAND, PVC INSULATED COPPER WIRE, UNLESS INDICATED OTHERWISE.
2. WIRES MARKED THUS * TO BE SILICONE RUBBER INSULATED.
3. LINKS ON TIMER MARKED THUS + ARE 6 AMP RATED ONLY.



WIRE COLOUR CODE

A	- BLACK
B	- BROWN
C	- RED
D	- ORANGE
E	- YELLOW
F	- GREEN
G	- BLUE
H	- VIOLET
J	- GREY
K	- WHITE
N/A	- PINK

COMPONENT CODE

TB	- TERMINAL BLOCK
B-SW	- BOTTLE SWITCH
D-SW	- DOOR SWITCH
M	- MOTOR
CAP	- CAPACITOR
EX-TH	- EXHAUST THERMOSTAT
IN-TH	- INLET THERMOSTAT
HE	- HEATER
RH	- RECEPTACLE HOUSING
TH	- TAB HOUSING
HE-SW	- HEAT SWITCH
MAN TOC	- MANUAL RESET CUT-OUT

White Knight Flush Front Condenser - Parts List

Item	Description	Part Number	Expl.View
101	Motor + 8µf Capacitor Assembly	4213 092 21001	4
112	Capacitor Assembly 8µf	4213 092 08091	4
125	Drive Belt	4213 092 19501	4
141	Mains Cable	4213 076 35123	4
142	Terminal Block	4213 078 44621	4
144	Earth Tab Assembly	4213 092 41181	4
153	Valve	4213 077 85111	3
166	Pump Assembly	4213 092 25211	2
169	Valve to Pipe Assembly	4213 092 40391	3
180	Bottle Switch Adjuster Assembly	4213 092 17431	1
184	Condensing Unit/Heat Exchanger - Euro White	4213 092 41411	1
184	Condensing Unit/Heat Exchanger - Mid White	4213 092 45991	1
184	Condensing Unit/Heat Exchanger - Silver	4213 092 41421	1
184	Cabinet Assembly - Euro White	4213 092 37431	1
196	Cabinet Assembly - Mid White	4213 092 43691	1
196	Cabinet Assembly - Silver	4213 092 38081	1
199	Plinth Assembly - Euro White	4213 092 35741	1
199	Plinth - Mid White	4213 092 43491	1
199	Plinth - Silver	4213 092 47261	1
201	Door Seal	4213 092 21051	1
203	Full Door/Window Assembly - Euro White	4213 092 36531	1
203	Full Door/Window Assembly - Mid White	4213 092 45611	1
203	Full Door/Window Assembly - Silver	4213 092 39121	1
230a	Door Frame Assembly - Euro White	4213 092 36541	1
203a	Door Frame Assembly - Mid White	4213 092 45621	1
203a	Door Frame Assembly - Silver	4213 092 39131	1
204	Bottle Door Panel - Euro White	4213 092 49551	1
204	Bottle Door Panel - Mid White	4213 092 49241	1
204	Bottle Door Panel - Silver	4213 092 49251	1
211	EC4817.02A Timer - Mid White	4213 078 55142	1
211	EC4817.01B Timer - Silver	4213 078 54792	1
215	Bottle Neon Assembly	4213 092 09901	1
217	Bottle Switch Assembly	4213 092 21291	1
227	Heater Assembly	4213 092 44911	4
228	Heater TOC (Manual Reset) Assembly	4213 092 21261	4
229	Exhaust Thermostat	4213 092 21081	2
230	Inlet Thermostat	4213 092 21251	4
235	Heat Switch	4213 078 52811	1
235a	Start Switch	4213 078 52821	1
248	Door Micro-Switch Assembly	4213 092 05251	1
248a	Door Interlock Relay Board	4213 092 51871	1
266	Drum Assembly (includes items 270 & 444)	4213 092 37081	4
270	Drum Shaft/Bearing Kit Assembly	4213 092 05591	4
351	Control Panel - Euro White	4213 092 49531	1

White Knight Flush Front Condenser - Parts List

351	Control Panel - Mid White	4213 092 49261	1
351	Control Panel - Silver	4213 092 49271	1
352	Timer Knob assembly - Euro White	4213 092 40131	1
352	Timer Knob Assembly - Mid White	4213 092 46001	1
352	Timer Knob Assembly - Silver	4213 092 36151	1
353	Control Panel Assembly - Euro White	4213 092 49541	1
353	Control Panel Assembly - Mid White	4213 092 46011	1
353	Control Panel Assembly - Silver	4213 092 49281	1
359	Door Hinge Assembly - Mid White	4213 092 26071	1
359	Door Hinge Assembly - Silver	4213 092 25361	1
362	Window	4213 077 44095	1
363	Door Frame - Euro White	4213 092 38891	1
363	Door Frame - Mid White	4213 092 45671	1
363	Door Frame - Silver	4213 092 49291	1
363a	Door Handle - Silver	4213 077 82861	1
364	Latch Pivot	4213 075 13013	1
365	Latch Spring	4213 075 70833	1
366	Door Latch	4213 077 53413	1
367	Switch Strike	4213 077 83571	1
368	Bottle	4213 092 17941	1
370	Latch Guide	4213 077 40992	1
376	Front Panel Assembly - Euro White	4213 092 37571	1
376	Front Panel Assembly - Mid White	4213 092 46021	1
376	Front Panel Assembly - Silver	4213 092 38881	1
385	Top Cover Bracket	4213 070 14541	1
386	Curveline Top Cover - Euro White	4213 092 21521	1
386	Curveline Top Cover Assembly - Mid White	4213 092 43541	1
386	Curveline Top Cover Assembly - Silver	4213 092 36141	1
391	Button - Euro White	4213 077 59401	1
391	Button - Mid White	4213 077 92491	1
391	Button - Silver	4213 077 82781	1
393	Flex Support Clip	4213 077 40982	4
394	Foot	4213 077 39833	1
397	Condenser Door Assembly - Euro White	4213 092 37471	1
397	Condenser Door Assembly - Mid White	4213 092 43721	1
397	Condenser Door Assembly - Silver	4213 092 38121	1
400	Insulating Plate	4213 092 44951	4
401	Rear Banjo Duct Assembly	4213 092 44941	4
413	Back Panel Assembly	4213 092 40371	4
416	Heat Exchanger Links	4213 092 37481	1
432	Motor Bracket Assembly	4213 092 26161	4

White Knight Flush Front Condenser - Parts List

433	Seal Clamp Kit	4213 092 27661	4
437	Condenser Housing Assembly	4213 092 21151	2
440	Banjo/Seals/Clips/Bearing Pads Assembly	4213 092 21161	2
442	Front Seal	4213 077 40942	2
444	Lifter	4213 077 41009	4
445	Front Bearings/Drum Seal Assembly	4213 092 21171	2
445a	Bearing Pads (long)	4213 077 40962	2
445b	Bearing Pads (short)	4213 077 40952	2
446	Cooling Air Fan	4213 077 56173	4
447	Fan Cover Assembly	4213 092 21181	4
448	Seal Fan Access Cover	4213 077 08871	4
449	Inlet Duct Case Assembly	4213 092 21241	4
450	Inlet Duct Panel Seal	4213 077 09041	4
453	Inlet Duct Rear Seal	4213 077 08567	4
454	V Filter	4213 092 18351	2
456	Banjo Seal	4213 077 08487	2
458	Condenser Latch Set	4213 092 21191	1
460	Pivot Bracket	4213 077 51408	1
461	Bottle Housing Assembly	4213 092 17951	1
475	Inlet Duct Assembly	4213 092 37531	2
478	Re-Circulating Fan	4213 092 34011	4
497	Switch Cover	4213 177 01141	1
505	Housing Seal	4213 077 09032	2
506	Housing - Banjo Seal	4213 077 60796	2
512	Front Felt	4213 078 55972	2
515	T.O.C. Cover & Seal Unit	4213 092 09491	4
518	Cable Clamp	4213 077 47303	4
527	Pivot Pin (Bottle Door)	4213 075 71842	1
538	Housing Drawbar Spring	4213 078 53494	1
543	Capacitor Bracket	4213 070 09324	4
550	Anti-Foul Plate	4213 070 12601	4
554	Timer Shaft Support - Mid White	4213 077 60081	1
556	Switch Bracket	4213 070 11692	1
557	Hose	4213 092 40381	3
558	Heater Mounting Brackets (Top Hats)	4213 070 14471	4
559	Exhaust Deflector - Mid White	4213 077 83961	1
559	Exhaust Deflector - Silver	4213 077 83911	1
580	Door Buffer	4213 077 89071	1

Not Shown On Exploded Views

User Instruction Booklet	4213 094 67441
--------------------------	----------------

To identify machines built using Mid White components a prefix of /21 has been added to the rating and serial plate.

Machines built using Euro White components can be identified by serial range 080071195 - 0807012421
Alternatively to identify these machines there is NO prefix on the rating or serial plate.

Due to changes to the loom wiring

Dryers built prior to the loom change and including dryers built with serial No's up to 1002774925 refer to wiring diagram A

Dryers built with serial No's after 1002774925 refer to wiring diagram B