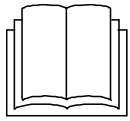


INSTRUCTIONS FOR USE INTEGRATED TUMBLE DRYER



White Knight



IMPORTANT: PLEASE READ THESE INSTRUCTIONS THOROUGHLY BEFORE USING THIS APPLIANCE. KEEP THEM IN A SAFE PLACE FOR FUTURE REFERENCE.

IMPORTANT USER INFORMATION

These notes are provided in the interest of safety.

You must read them before installing or using the appliance.

-This tumble dryer is intended for **NORMAL DOMESTIC USE ONLY.**

- This appliance can be used by children aged from 8 years and above and persons with reduced physical, sensory or mental capabilities or lack of experience and knowledge if they have been given supervision or instruction concerning use of the appliance in a safe way and understand the hazards involved. Children shall not play with the appliance. Cleaning and user maintenance shall not be made by children without supervision. Children of less than 3 years should be kept away unless continuously supervised.

-Adequate ventilation must be provided to avoid back flow of gases into the room from appliances burning other fuels, including open fires.

- Exhaust air must not be discharged into a flue which is used for exhausting fumes from appliances burning gas or other fuel.
- Please note it is not recommended that the dryer is placed directly next to ovens or cookers as the performance of the dryer may be affected.
- A carpet must not obstruct the ventilation openings in the base of the dryer.
- Do not stack the tumble dryer on top of other appliances without the correct stacking kit.
- Any electrical work required to install the appliance should be carried out by a qualified person.
- It is important to clean the lint filter after each drying cycle or the restrictions to airflow will extend drying times and could cause the safety cut-out to trip.
- Under no circumstances should anything other than the recommended articles be placed in the tumble dryer.
- It is dangerous to alter or modify the product in any way other than fitting authorized accessories.
- We recommend that the appliance is unplugged each time after use. It should always be disconnected from the electricity supply for long periods (i.e. weekends, if it is to be left unattended for holidays etc.)
- The rear of the dryer gets quite hot during use. Position the dryer so that the back is not accessible while in operation, but ensure that the sides have a space available to allow airflow.
- The special mains cable and plug assembly must only be replaced with a genuine part by the manufacturer or his service agents in order to avoid a hazard.

-It is important to clean fluff from the window of the dryer and around the door seal after each drying cycle. Failure to do so could result in water leaking.

- Fabric softeners, or similar products, should be used as specified by the fabric softener instructions.

WARNING: Never stop a tumble dryer before the end of a drying cycle unless all items are quickly removed and spread out so that heat is dissipated.

- Items that have been soiled with substances such as cooking oil, acetone, alcohol, petrol, kerosene, spot removers, turpentine, waxes and wax removers should be washed in hot water with an extra amount of detergent before being dried in the tumble dryer.

- Do not place articles which have been in contact with dry cleaning fluid or other flammable substances in the tumble dryer.

- Do not attempt to dry dripping wet articles.

- Remove all objects from pockets such as lighters and matches.

- Items such as foam rubber (latex foam), shower caps, waterproof textiles, rubber backed articles and clothes or pillows fitted with foam rubber pads should not be dried in the tumble dryer.

These machines are unsuitable for use with an external time clock.

DO NOT block the air inlets at the base and side of your dryer.

DO NOT allow fluff to accumulate around the tumble dryer.

Risk of fire

DO NOT exceed the recommended maximum load.

DO NOT dry unwashed items in the tumble dryer

DO NOT place articles in the dryer if anything other than a water solution has been used in the cleaning process.

DO NOT use the tumble dryer if you suspect that it is damaged in any way. Under no circumstances should you attempt to repair the appliance yourself. Repairs carried out by inexperienced persons may cause serious injury. Consult your local appointed service engineer and insist on genuine spare parts.

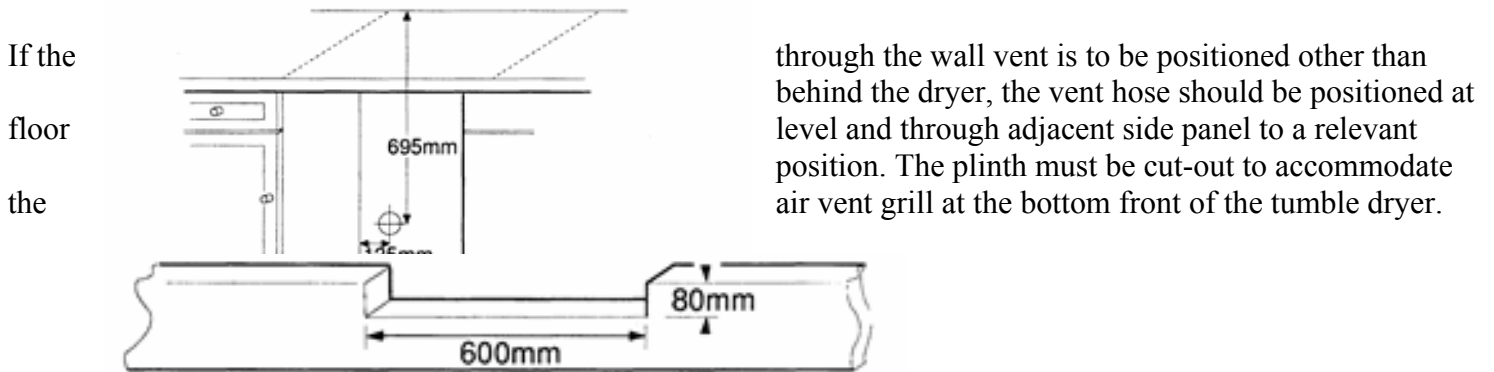
- DO NOT use a two-way or multi-way adapter, or extension lead. The dryer must be connected to its own individual socket.

- When installing, position the appliance so that that the plug is accessible.

INSTALLATION

The tumble dryer is fully compatible with any 600mm deep kitchen units and complies with stringent EEC regulations.

Your dryer is provided with a vent hose which will extend to approx 2.4m (8ft). We strongly recommend that this is vented through the wall with the attachment provided. The position of the hole (100mm diameter) for the vent directly behind the tumble dryer is shown in the diagram.



IMPORTANT

The air vent at the front of the appliance must never be covered or blocked in any way as this will cause the dryer to overheat.

This appliance must not be installed behind a lockable door, a sliding door or a door with hinges on the opposite side to that of the tumble dryer.

The dryer should not be placed directly next to ovens or cookers, as the performance of the dryer may be affected.

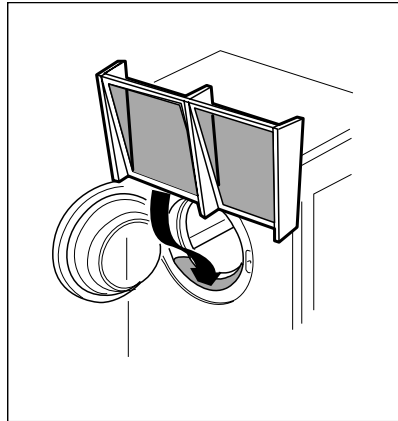
ELECTRICAL CONNECTIONS: We strongly recommend that any electrical work is carried out by a qualified person complying with the IEE 17th addition of the electrical regulations.

IMPORTANT

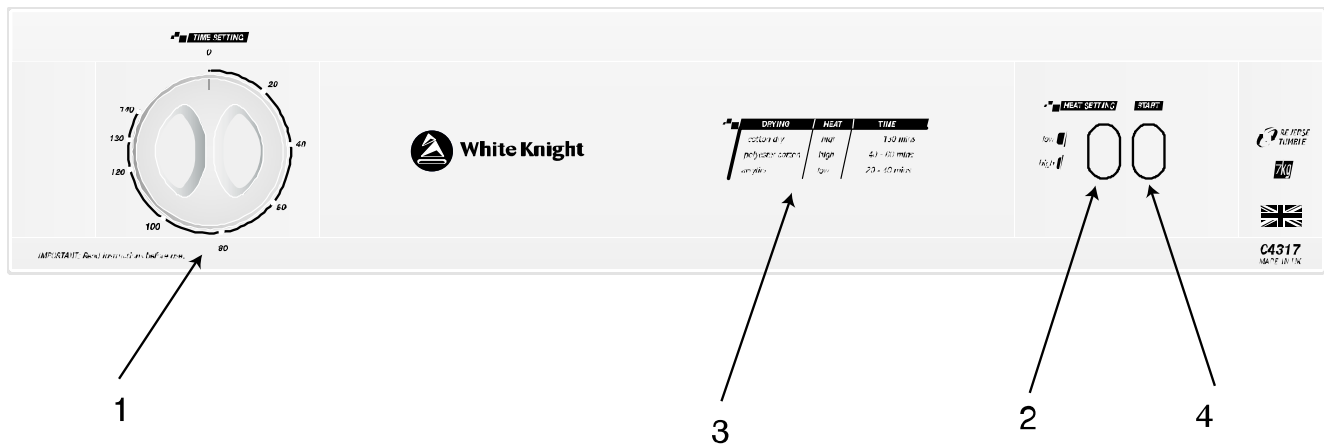
Please remember that the tumble dryer must be capable of being switched off, (disconnected from the supply), when fitted in position

THE FILTER

The filter is found, as seen from the diagram, by opening the door and must always be in position when drying items in the appliance. To allow the dryer to operate efficiently it should be cleaned after each drying cycle. Do not be alarmed by the amount of fluff deposited on the mesh. It is not due to excessive wear caused by the dryer but more an indication of its efficient operation. All fabric loses fluff when drying but it goes unnoticed into the air. In a tumble dryer it simply collects in the filter.



CONTROL PANEL GUIDE



- 1. The Timer
Select the drying time from the recommendations shown on the control panel (3). Turn the timer knob clockwise for required drying time.
- 2. Heat Setting
Select half or full heat as recommended on the control panel.
- 3. Control Panel
See below

DRYING	HEAT	TIME
<i>cotton dry</i>	<i>high</i>	<i>130 mins</i>
<i>polyester cotton</i>	<i>high</i>	<i>40 - 60 mins</i>
<i>acrylics</i>	<i>low</i>	<i>20 - 40 mins</i>

- 4. Start - Press the start button after selecting the required drying time.

OPERATION

Sort out the clothes into groups of similar fabrics and colours. Check the care label inside the garment. We suggest that a fabric conditioner be used to reduce static electricity. Delicate articles e.g. tights should be placed inside a pillowcase. It is better to dry small and large articles together.

Open the door.

Load clothes loosely into the drum.

Load sheets first starting with one corner.

Close the door.

Dry your hands.

Check the timer is in the '0' position.

Switch on the machine at the socket.

Select correct heat position (See programme chart on fascia panel).

The standard cotton programme is suitable to dry normal wet cotton laundry. It is the most efficient programme in terms of energy consumption for drying wet cotton laundry.

Your appliance is a reversing, small door opening. A full load will typically take 130 minutes and will use approximately 4.48kWh of electricity. A half load will typically take 75 minutes and will use approximately 2.32 kWh of electricity.

Set the timer to the correct position (See programme chart on fascia panel).

For energy labeling purposes (EN61121:2005) for a cotton dry load, use the maximum load weight for cotton and set the timer to the recommended drying time for cotton dry as specified on the control panel.

Press the start button.

The drum will now begin to rotate and stop when the timer automatically reaches the '0' position.

Should the clothes become dry before the cycle has finished the thermostat will automatically switch off the heater and prevent overdrying and save energy although the drum will still rotate.

When drying large items such as sheets, we suggest you periodically stop the dryer to redistribute the load, and restart it immediately afterwards

To stop the machine during the middle of a programme simply open the door: the drum will stop rotating automatically. To re start, close the door and press the start button.

To lengthen or shorten the programme, turn the timer knob.

The final part of a tumble dryer cycle occurs without heat (cool down cycle) to ensure that the items are left at a temperature that ensures that the items will not be damaged.

After removing the dried clothes clean the filter as follows:

Pull the filter upwards.

Remove any thread or fluff by hand or with a soft brush.

Slide the filter back.

Wash the filter occasionally in detergent solution and with a soft brush remove small particles.

Switch off the electricity supply.

CARE LABELS YOU MAY FIND ON YOUR FABRICS



'Tumble drying beneficial'



'Do not tumble dry'

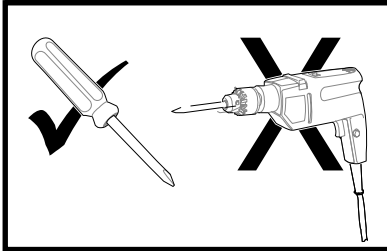
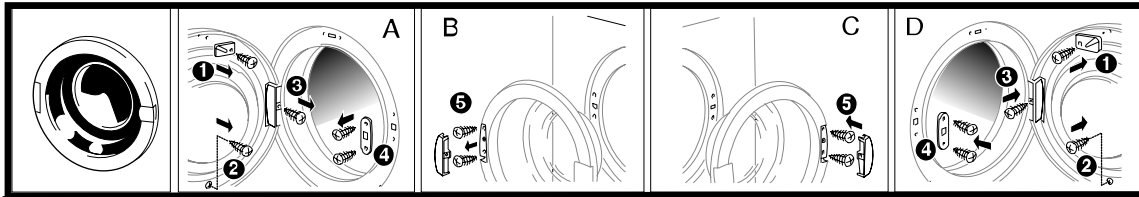


'Dry flat'

DOOR REVERSAL

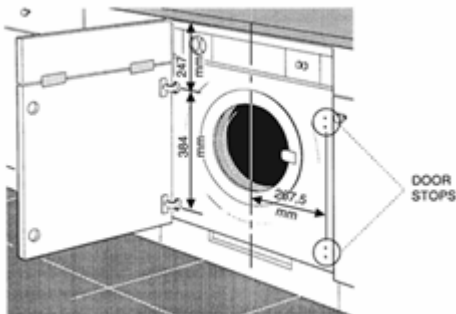
APPLIANCE DOOR

The door on the dryer can be positioned either with the left or right hand hinging. Please follow illustrations below to change the door position.



THE DECOR DOOR

The hinges can be fastened through the pre-drilled holes on either the left or right hand with the door stops being fitted on the other side.



TECHNICAL DATA

Overall dimensions : height 86.5 – 89cm width 59.5cm depth 53cm

Maximum dry weight of cotton, linen 7.0kg synthetics 7.0kg.

For electrical ratings see plate on rear of machine.

Fuse rating: 13amp.

DON'TS....

Do not – Overload the dryer.

Do not – Dry articles singly as they tend to roll up and so increase drying time.

Do not – Dry woolen or wool mixture articles unless the article is labeled as suitable. This should avoid shrinkage.

Do not – Allow venting hose (where applicable) or filter to become blocked.

Do not – Allow fluff to accumulate around the tumble dryer.

NEVER SWITCH THE DRYER OFF AND LEAVE A HOT LOAD IN THE DRUM – RISK OF FIRE.

CUSTOMER ADVICE – BEFORE CALLING FOR ASSISTANCE

If the clothes are not dry after normal drying time:

- Check that you used the correct heat setting.
- Check that you have not set the timer within a cool down period.
- Check that the lint filter has been cleaned. A blocked filter will restrict the airflow.
- Check that your dryer is heating - below the door to the left side, should feel warm to the touch after the first 10-15 minutes of its programme.

Failure to heat may indicate the safety cut-out has operated. To reset, simply press the red button at the rear of the machine. If it has operated then a sharp “click” will be heard.

This cut-out only operates if the airflow is severely restricted so make sure the filter is clean, the air inlets and outlets at the side and back are not blocked, and that all other restrictions are removed before re-starting.

If the cut-out continues to operate after checking the above points, you should contact your service agent.

Check that the machine has the correct weight load in the drum before starting the appliance.

If your machine does not work check the following before calling a service engineer:-

- Check that there is a supply of electricity.
- Check that the door has been properly closed and the machine is switched on.
- Check the fuse in the moulded plug.

A call out charge will be applied for a service visit, if the call could have been avoided by following these instructions.

ESSENTIAL CONTACT INFORMATION FOR “IN GUARANTEE” AND “OUT OF GUARANTEE” REPAIRS.

If problems continue after checking the above points you should **contact our service agent**. Please ensure that you have your serial number and model number to hand when you make the call. To locate the serial number on your dryer, open the door and look for a white label inside the door opening. This will indicate the appliance model number along with the serial number.

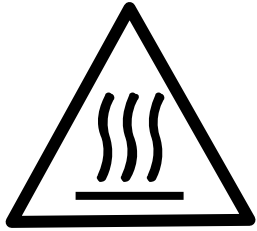
APPROVED SERVICE AGENTS:

White Knight (Whirlpool) 0800 988 1323 (calls are free from landlines however calls from mobiles may be charged at your network provider’s rates)

OR

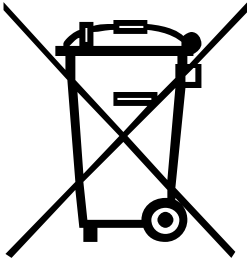
White Knight (0800 Repair): 0344 8797422 (Calls charged at basic rate).

Northern Ireland Only: (Service Network 2000) 028 90365222 (Daytime calls cost up to 14p plus 8p per minute from BT lines Monday-Friday. Mobile and other providers’ charges may vary).



**CAUTION
HOT SURFACE**

This label positioned on the rear of your dryer, indicates the surface is hot when in operation – avoid touching.



This appliance is marked according to the European Directive 2012/19/EU on Waste Electrical and Electronic Equipment (WEEE). This guideline is the frame of a European wide validity of return and Recycling on Waste Electrical and Electronic Equipment.



	LAV SDO Rev
Suppliers name or trade mark	WHITE KNIGHT
Model identifier	437, 434, 447, 512, 514, 517, 432, 513, 44B, 44A, AWG 288S, 449, 44C- TYPE
Rated capacity at full load	7kg
Appliance type	Air Vented
Energy efficiency class	C
Energy consumption of the appliance*	519kWh
<p>The figures above is based on 160 drying cycles of the standard cotton programme at full and partial load and the consumption of the low-power modes. Actual energy consumption per cycle will depend on how the appliance is used.</p>	
Automatic/non-automatic	Non-automatic
EU Ecolabel	N/A
E_{dry}	4.48kWh
$E_{dry/2}$	2.32kWh
$E_{g_{dry}}$	N/A
$E_{g_{dry/2}}$	N/A
$E_{g_{dry,a}}$	N/A
$E_{g_{dry/2,a}}$	N/A
Off mode power (P_o)	0W
Left on mode power (P_l)	0W
Duration of left-on mode	N/A
<p>The standard cotton programme used at full and partial load is the standard drying programme to which the information in the label and the fiche relates. This programme is suitable for drying normal wet cotton laundry. It is the most efficient programme in terms of energy consumption for cotton.</p>	
T_t	99mins
T_{dry}	130mins
$T_{dry/2}$	75mins
Condensing efficiency class	N/A
C_t	N/A
C_{dry}	N/A
$C_{dry/2}$	N/A
Sound power level	62dBA
Built in/not built in	Model 432 is intended on being built in. All other models are not intended on being built in.

