

# TOWER®

T14003/EGL

## Safety and Instruction Manual

PLEASE READ CAREFULLY



## 8 IN 1 Multi Cooker

## **TECHNICAL DATA**

**Description:** 8 In 1 Multi Chef  
**Model:** T14003/EGL  
**Rated Voltage:** 220 - 240V  
**Frequency:** ~ 50Hz  
**Power consumption:** 1500W

## **DOCUMENTATION**

We declare that this product conforms to the following product legislation in accordance with the following directive(s):

<b>2004/108/EC</b>	Electromagnetic Compatibility Directive.
<b>2006/95/EC</b>	Low Voltage Directive.
<b>2011/65/EU</b>	Restriction of Hazardous Substances Directive.
<b>1935/2004/EC</b>	Materials & Articles in Contact With Food (LFGB section 30 & 31).

RKW Quality Assurance, United Kingdom.

## **WARRANTY**

This product is guaranteed for 12 months from the date of original purchase. If any defect arises due to faulty materials or workmanship, the faulty products must be returned to the place of purchase. Refund or replacement is at the discretion of the retailer.

### **The Following Conditions Apply:**

- The product must be returned to the retailer with proof of purchase.
- The product must be installed and used in accordance with the instructions contained in this instruction guide.
- It must be used only for domestic purposes.
- It does not cover wear and tear, damage, misuse or consumable parts.
- RKW has limited liability for incidental or consequential loss or damage.
- This guarantee is valid in the UK and Eire Only.

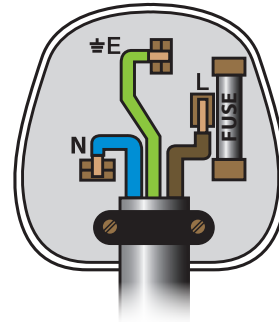
**An extended warranty is available for this appliance.  
See back page for details.**

## IMPORTANT! WIRING SAFETY

**(For UK Use Only)** As the colours in the mains lead of this appliance may not correspond with the coloured markings identifying the terminals in your plug, please proceed as follows:

The wires in the mains lead are coloured in accordance with the following code:

**Blue** [N] Neutral  
**Brown** [L] Live  
**Green/Yellow** [E] Earth ≡



### Plug Fitting Details (where applicable)

The wire coloured blue is the neutral and must be connected to the terminal marked [N] or coloured black. The wire coloured brown is the live wire and must be connected to the terminal marked [L] or coloured red. The wire coloured green/yellow must be connected to the terminal marked with the letter [E] or ≡. On no account must either the brown or the blue wire be connected to the [E] terminal ≡.

Always ensure that the cord grip is fastened correctly.

The plug must be fitted with a fuse of the same rating already fitted and conforming to BS 1362 and be ASTA approved. If in doubt consult a qualified electrician who will be pleased to do this for you.

### Non-rewireable Mains Plug

If your appliance is supplied with a non-rewireable plug fitted to the mains lead and should the fuse need replacing, you must use an ASTA approved one (conforming to BS 1362 of the same rating).

If in doubt, consult a qualified electrician who will be pleased to do this for you.

If you need to remove the plug - disconnect it from the mains - and then cut it off the mains lead and immediately dispose of it safely. Never attempt to reuse the plug or insert it into a socket outlet as there is a danger of an electric shock.

**WARNING:**  
 This Appliance **MUST** be Earthed

## PRODUCT SAFETY INFORMATION

---

- Check that the voltage of the main circuit corresponds with the rating of the appliance before operating.
- Please ensure that the appliance is used on a stable, level, and heat resistant surface.
- Do not immerse cords, plugs or any part of the appliance in water or any other liquid.
- Do not leave the appliance unattended while it is operating.
- Close supervision is necessary when any appliance is used by or near children or pets.
- This appliance can be used by children aged from 8 years and above and persons with reduced physical, sensory or mental capabilities or lack of experience and knowledge if they have been given supervision or instruction concerning use of the appliance in a safe way and understand the hazards involved.
- Children shall not play with the appliance.
- Cleaning and user maintenance shall not be made by children without supervision.
- Switch off at the wall socket then remove the plug from the socket when not in use or before cleaning.
- If the supply cord or appliance is damaged, stop using the appliance immediately and seek advice from the manufacturer or its service agent or a similarly qualified person.
- Do not let the cord hang over the edge of a table or counter or let it come into contact with any hot surfaces.
- The use of accessory attachments is not recommended by the appliance manufacturer, apart from those supplied with this product.
- Do not pull the plug out by the cord as this may damage the plug and/or the cable.
- Do not use this product for anything other than its intended use.
- This appliance is for household use only.
- Do not carry the appliance by the power cord.
- Do not use the appliance outdoors.
- Never cook directly in the base unit. Always use the ceramic pot.
- Do not use too close to curtains, draperies, walls, cupboards and other flammable and combustible materials.
- Keep your appliance away from any hot burners and heated ovens.

- When unplugging turn any control to off, then remove the plug from the wall outlet.
- Do not switch on the cooker if the ceramic pot is empty.
- Allow the lid and pot to cool before immersing in water.
- Do not use crock pot or lid if cracked or chipped.
- The lid and ceramic pot are fragile. Handle them with care.
- Extreme caution must be used when moving an appliance containing hot food, water, or other hot liquids.
- Never touch the outer enclosure of the unit during its operation or before it cools.
- Use the handles or knobs. Do not touch hot surfaces. Use oven gloves or a cloth when removing the lid or handling hot containers.
- Do not switch on the appliance when it is upside down or laid on its side.
- Never leave the appliance connected to the socket outlet when not in use, before putting on or taking off attachments, and before cleaning.
- In the unlikely event the appliance develops a fault, stop using it immediately and seek advice from the service department:  
**+44 (0) 844 984 0055**

## **DISPOSAL OF THE UNIT**

---

Appliances bearing the symbol shown here may not be disposed of in domestic rubbish. You are required to dispose of old electrical and electronic appliances like this separately.



Please visit [www.recycle-more.co.uk](http://www.recycle-more.co.uk) or [www.recyclenow.co.uk](http://www.recyclenow.co.uk) for access to information about the recycling of electrical items.

Please visit [www.weeeireland.ie](http://www.weeeireland.ie) for access to information about the recycling of electrical items purchased in Ireland.

The WEEE directive, introduced in August 2006, states that all electrical items must be recycled, rather than taken to landfill.

Please arrange to take this appliance to your local Civic Amenity site for recycling, once it has reached the end of its life.

## WHAT'S IN THE BOX

Instruction Manual

Frying Basket & Handle

Steam Rack

Glass Lid

1. Lid
2. Cooking Pot
3. Heating Unit
4. Temperature Controls



## BEFORE YOUR FIRST USE:

1. Remove your appliance from the packaging.
2. Before using the appliance for the first time, carefully clean any parts that will come into contact with food. Do not run water directly onto the cooking plates.
3. Do not use any aggressive detergents, brushes with metal or nylon bristles or sharp objects such as knives or spatulas for cleaning the unit.
4. Your appliance is now ready for normal use.

**WARNING:**  
DO NOT immerse the unit in water.

## USING YOUR APPLIANCE:

Before using your MultiChef unit, clean the power base, stackable steam rack, lid and non-stick heating pan in warm, soapy water with a soft cloth and then rinse and dry thoroughly.

Never submerge the MultiChef unit power base in water. to do so could permanently damage your MultiChef unit and may cause personal injury.

## Controlling Your Multichef:

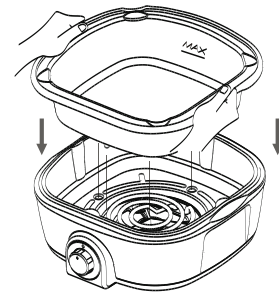
The temperature can be set anywhere between the lowest settings at 60°C (Warm) and the highest setting for flash fry at 190°C (Flash Fry).

Attach non-stick heating pan to power base:

Place the non-stick heating pan into the four holes in the metal plate at the base of the unit.



**PLEASE NOTE:** During initial use you may notice a slight odour due to the burning off of manufacturing residues. This is completely normal and will disappear after a few uses.



During cooking, the indicator light goes on and off. It only stays lit when the appliance is heating to reach or maintain the correct temperature. Always remember to turn off the appliance when finished.

## Warm

Place the desired liquid or food directly into the non-stick heating pan and close the lid.

Turn the knob to between off and 80°C. The indicator light will go on.



### **Slow Cook**

Place the desired liquid or food (depending on recipe instructions) directly into the non-stick heating pan and close the lid.

Turn the knob to between 80°C and 100°C. The indicator light will go on. To retain heat and moisture during cooking, it is best not to lift the lid. Always make sure there is sufficient liquid to cover the food.

### **Sauté/Grill**

Turn the knob to between 100°C and 120°C. The indicator light will go on.

Add a small amount of cooking oil, butter or margarine to the non-stick heating pan.

When Sautéing or Grilling is complete, remove the food.

### **Steam**

Use the stackable steam rack for steaming. Place the stackable steam rack on the non-stick heating pan.

Add 2 cups of water (keep the water level below the rack) and close the lid.

Turn the knob to between 80°C and 100°C.

The indicator light will go on.

To retain heat and moisture during cooking, it is best not to lift the lid.

When steaming is complete, carefully remove the hot stackable steam rack.



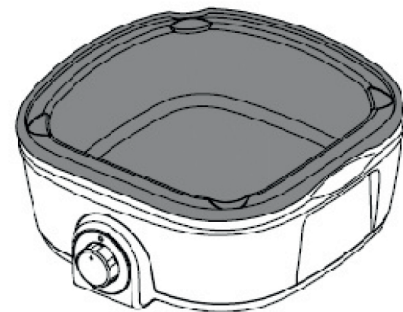
### **Roast**

Place the desired food (depending on recipe instructions) into the non-stick heating pan.

Turn the knob to between 180°C and 200°C. The indicator light will go on.

When finished roasting, check food to see if it is thoroughly cooked through.

Always turn your MultiChef unit to OFF and unplug when no longer in use.





### **Flash Fry (Deep Fat Frying).**

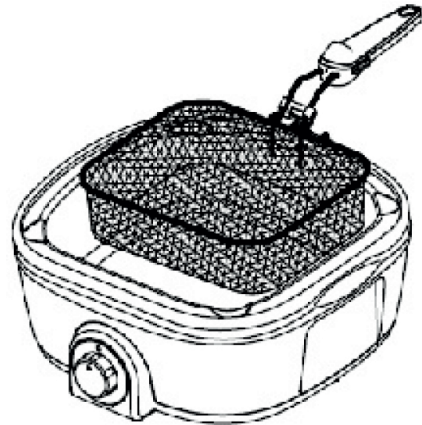
Pour oil into the non-stick heating pan up to the fill-line; NEVER go over the fill-line as this may allow the oil to overflow when the food is added which may cause a fire or cause injury to the user or their property.

Turn the knob to between 200°C and 220°C. The indicator light will go on.

Place food in basket (if purchased) and lower into the oil.

Fill the basket no more than indicated fill-line in the basket.

Place food on dry paper towel to remove the excess oil from the food.



The lid and non-stick heating pan are dishwasher safe. Always allow your Wonder Chef unit to cool before cleaning.

### **Maintenance**

Please make sure that the non-stick heating pan is thoroughly dry before using it.

Never pour cold water into warm non-stick heating pan.

Do not use abrasive or steel wool this may damage the non-stick surface.

Only use wooden or heat proof plastic utensils to prevent damage to the non-stick heating pan's surface.

Never use metal utensils.

Never immerse the outer unit in water or other liquid. Wipe clean with a damp cloth.

Never add water to hot oil.

T14003/EGL 8 in 1 Multi Cooker

Notes:

**NOTE:**

Disconnect the power supply before cleaning  
Lift lid and remove any cooking accessories. Wash the accessories  
with soapy water.

Always remove hot oil from non-stick heating pan before washing.  
Remove non-stick heating pan, empty remaining food and liquid, and  
allow to cool.

Fill the non-stick heating pan with warm water and a mild detergent.  
Use non-abrasive material to clean.

The outer unit can be cleaned with a damp sponge. Never use  
abrasive or scouring pads.

Store the MultiChef after it has cooled down.  
When not in use, store the MultiChef in a safe, dry place,  
out of reach of children.



# TOWER®

T14003/EGL  
8 in 1  
**Multi Cooker**

*thank you!*

We hope you enjoy your appliance for many years. As a thank you for purchasing one of our fantastic products, we are giving you an extra 2 years peace of mind.

**\*To receive your extra 2 years guarantee, register your appliance online by visiting:**

**[www.towerhousewares.co.uk](http://www.towerhousewares.co.uk)**

Should you have a problem with your appliance, or need any spare parts, please call our Service Department on:

**+44 (0) 844 984 0055**

 *great british design, innovation and excellence since 1912*

Designed, developed and distributed throughout the UK by RKW LTD.