

READ AND SAVE THESE INSTRUCTIONS

Range Hood User Guide

Euro Kitchen Appliances Inc.
Delta, BC Canada
www.KitchenHoods.ca
tel.604 8360517

Model - 3503B2-30



The manufacturer disclaims all liability for any damage or injury caused as a result of not following instructions for installation contained in the following text.

The cooker hood is used on 120V/60Hz.

CONTENT

- 1.....IMPORTANT SAFETY INSTRUCTION
- 2.....INSTALLATION INSTRUCTION
- 3..... FEATURE
- 4.....USE
- 5.....MAINTENANCE
- 6.....ABNORMITY AND SOLUTION
- 7.....WARRANTY CARD

(1) IMPORTANT SAFETY INSTRUCTIONS

WARNING - TO REDUCE THE RISK OF FIRE, ELECTRIC SHOCK, OR INJURY TO PERSONS, OBSERVE THE FOLLOWING:

a) Use this unit only in the manner intended by the manufacturer. If you have questions, contact the manufacturer.

b) Before servicing or cleaning unit, switch power off at service panel and lock the service disconnecting means to prevent power from being switched on accidentally. When the service disconnecting means cannot be locked, securely fasten a prominent warning device, such as a tag, to the service panel.

CAUTION - For General Ventilating Use Only. Do Not Use To Exhaust Hazardous Or Explosive Materials And Vapours.

WARNING - To Reduce The Risk Of Fire Or Electric Shock, Do Not Use This Fan With Any Solid-State Speed Control Device.

WARNING - TO REDUCE THE RISK OF A RANGE TOP GREASE FIRE:

a) Never leave surface units unattended at high settings. Boilovers cause smoking and greasy spillovers that may ignite. Heat oils slowly on low or medium settings.

b) Always turn hood ON when cooking at high heat or when flambeing food (i.e. Crepes Suzette, Cherries Jubilee, Peppercorn Beef Flambe’).

c) Clean ventilating fans frequently. Grease should not be allowed to accumulate on fan or filter.

d) Use proper pan size. Always use cookware appropriate for the size of the surface element.

WARNING - TO REDUCE THE RISK OF INJURY TO PERSONS IN THE EVENT OF A RANGE TOP GREASE FIRE, OBSERVE THE FOLLOWING ^a:

a) **SMOTHER FLAMES** with a close-fitting lid, cookie sheet, or metal tray, then turn off the burner. **BE CAREFUL TO PREVENT BURNS.** If the flames do not go out immediately, **EVACUATE AND CALL THE FIRE DEPARTMENT.**

b) **NEVER PICK UP A FLAMING PAN** - You may be burned.

c) **DO NOT USE WATER**, including wet dishcloths or towels - a violent steam explosion will result.

d) Use an extinguisher **ONLY** if:

1) You know you have a Class ABC extinguisher, and you already know how to operate it.

2) The fire is small and contained in the area where it started.

3) The fire department is being called.

4) You can fight the fire with your back to an exit.

(2) NOTICE OF INSTALLATION

WARNING - TO REDUCE THE RISK OF FIRE, ELECTRIC SHOCK, OR INJURY TO PERSONS, OBSERVE THE FOLLOWING:

a) Installation work and electrical wiring must be done by qualified person(s) in accordance with all applicable codes and standards, including fire-rated construction.

b) Sufficient air is needed for proper combustion and exhausting of gases through the flue(chimney) of fuel burning equipment to prevent back drafting. Follow the heating equipment manufacturer's guideline and safety standards such as those published by the National Fire Protection Association (NFPA), and the American Society for Heating, Refrigeration and Air Conditioning Engineers (ASHRAE), and the local code authorities.

c) When cutting or drilling into wall or ceiling, do not damage electrical wiring and other hidden utilities.

d) Ducted fans must always be vented to the outdoors.

WARNING - TO REDUCE THE RISK OF FIRE, USE ONLY METAL DUCTWORK.

CAUTION - To reduce the risk of fire and to properly exhaust air, be sure to duct air outside - Do not vent exhaust air into spaces within walls or ceilings or into attics, crawl spaces, or garages.

GROUNDING INSTRUCTIONS

This appliance must be grounded. In the event of an electrical short circuit, grounding reduces the risk of electric shock by providing an escape wire for the electric current. This appliance is equipped with a cord having a grounding wire with a grounding plug. The plug must be plugged into an outlet that is properly installed and grounded.

WARNING - Improper grounding can result in a risk of electric shock. Consult a qualified electrician if the grounding instructions are not completely understood, or if doubt exists as to whether the appliance is properly grounded.

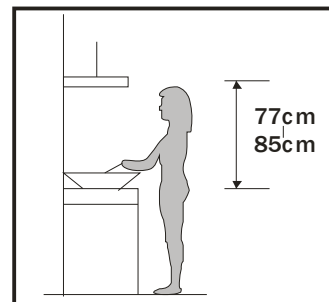
Do not use an extension cord. If the power supply cord is too short, have a qualified electrician install an outlet near the appliance.

(3) INSTALLATION PROCESS

a) The cooker hoods shall be placed at a distance of 77-85cm from the cooking surface for best performance. See Pic1.

b) Drill three Ø8 mm holes in a horizontal line every 100 mm at the appropriate height for installation of the mounting bracket.

c) Insert expansion bolts into the holes.

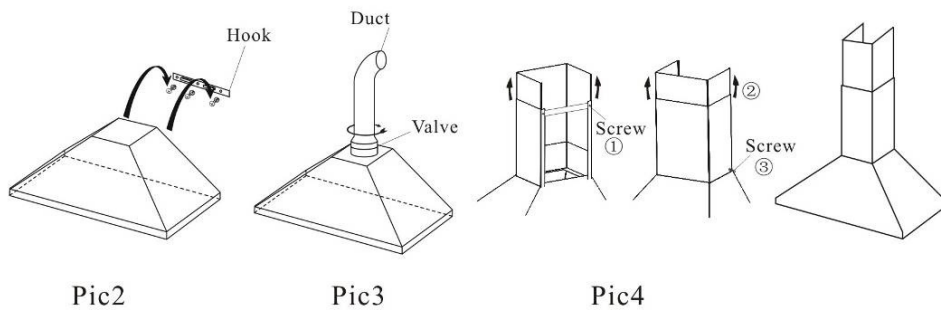


Pi c 1

d) Fix the mounting bracket on the wall (Note: The hood can be installed on both wood wall and brick wall), then secure the cooker hood to it, see Pic2.

e) Install the metal duct onto the vent, and vent it outdoor, see Pic3.

f) Put the two-pieces U-shaped duct cover on the cooker hood, then adjust the inner duct cover to the appointed height, see Pic4; drill two Ø8 mm holes in a horizontal line for installation of the other mounting bracket and then fix the bracket as instructed in Step (c) and (d); Secure the duct cover to the mounting bracket by tightening the two screws, see Pic4.

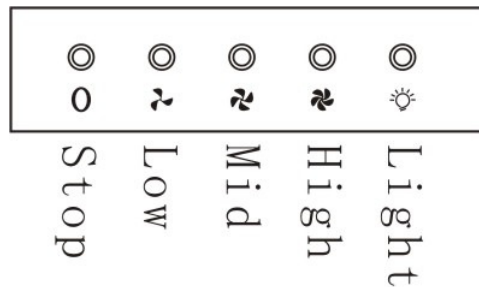


(4) FEATURE

1. The cooker hood uses high quality materials, and is made with a streamlined design.
2. Equipped with large power low noise electric motor, centrifugal leaf which produces strong suction with low noise, and non sticky grease filter. Easy for cleaning.
3. Equipped with the isolated low voltage circuit board control, 12VAC input, the lights are therefore safe.
4. Special wind tunnel construction and oil collector design, free dirt will be absorbed in a second.

(5) USE

1. Push stop button, and the motor will stop.
2. Push the Low button, and the motor runs at low speed.
3. Push the Mid button, and the motor runs at mid speed.
4. Push the High button, and the motor runs at high speed.
5. Push the light button and the two lights will come on. Push it again and the light will turn off.



Pic 6

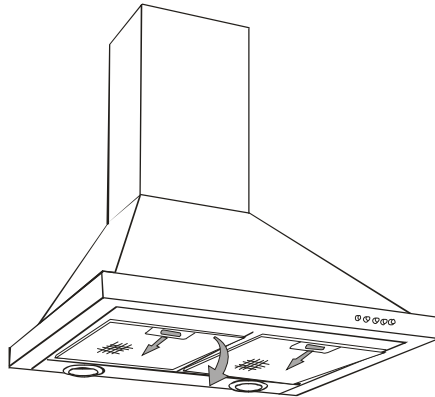
(6) MAINTENANCE

6.1 THE CLEANING OF THE CARBON GREASE FILTER MESH

The filter mesh is made of high-density stainless steel. Please do not use the corrosive detergent on it. Keeping this filter clean will keep the appliance running correctly. Please strictly follow the guidelines below.

METHOD 1: Put the mesh into 40-50°C clean water, add detergent and soak for 2-3 minutes. Wear gloves and clean with a soft brush. Please do not apply excessive pressure or it might be damaged.

METHOD 2: If instructed to do so, it can be put into a dishwasher, set the temperature at around 60°C.



6.2 NOTICE OF CLEANING COOKER HOOD

- A.** To protect the main body from corrosion over a long period of time, the cooker hood should be cleaned with hot water plus non-corrosive detergent every two months.
- B.** Please do not use abrasive detergent as it will damage the body.
- C.** Keep the motor and other spare parts free from water, as this will cause damage to the appliance.
- D.** Before cleaning the appliance please remember to cut off the power.
- E.** The carbon filter shouldn't be exposed to heat.
- F.** Please don't tear the fixed bar around the carbon filter
- G.** If the plug or cord is damaged, please replace it with special soft cord.

(7) TROUBLESHOOTING

Fault	Cause	Solution
Light on, but motor does not work	The leaf blocked	Get rid of the blocking
	The capacitor damaged	Replace capacitor
	The motor jammed bearing damaged	Replace motor
	The internal with of motor off or a bad smell from the motor	Replace motor
Light does not work, motor does not work	Beside the above mentioned, check the following:	
	Light damaged	Replace lights
	Power cord looses	Connect the wires as per the electric diagram
Oil leakage	Damper and the air ventilation entrance are not tightly sealed	Take down the Damper and seal with glue
	Leakage from the connection of U-shaped section and cover	Take U-shaped section down and seal with soap or paint
Shake of the body	The leaf damaged and causes shaking	Replace the leaf
	The motor is not tightly hanged	Lock the motor tightly
	The body is not tightly hanged	Fixed the body tightly
Insufficient suction	The distance between the body and the gas top too long	Readjust the distance
	Too much ventilation from open doors or windows	Choose a new place and resemble the machine
The machine inclines	The fixing screw not tight enough	Tighten the fixing screw and make it horizontal
	The mounting screw not tight enough	Tighten the mounting screw and make it horizontal

(8)WARRANTY

CARD

We will warrant this product free from defects in material and quality for one year from date of purchase. If any problems occur from correct usage, please contact the service department for under warranty service.

This warranty does not cover the following:

The filter mesh and bulb.

Commercial use.

Amendment of the manufacture date on the rating plate.

After 12 months from date of purchase.

Damaged caused to the body by usage of detergent sprayer.

Pollution made to the led parts, glass parts and S/S parts.

Incorrect installation, misuse, abuse or neglect.

Incorrectly fitted to insufficient or unsuitable power.

Damage caused by foreign object.

Taken apart or serviced by unauthorized service engineers or replaced with other manufacture's components.

For commercial use the maintenance and free service should be discussed with our authorized agent.

Beyond the 12 months warranty period, the purchaser should pay for charge of components and call out.

In the event of a service call, please provide the warranty card and receipt of date of purchase.

Manufactured for:

Euro Kitchen Appliances Inc.

#111-590 Ebury Place
Delta, BC
V3M6K7 , Canada

www.KitchenHoods.ca