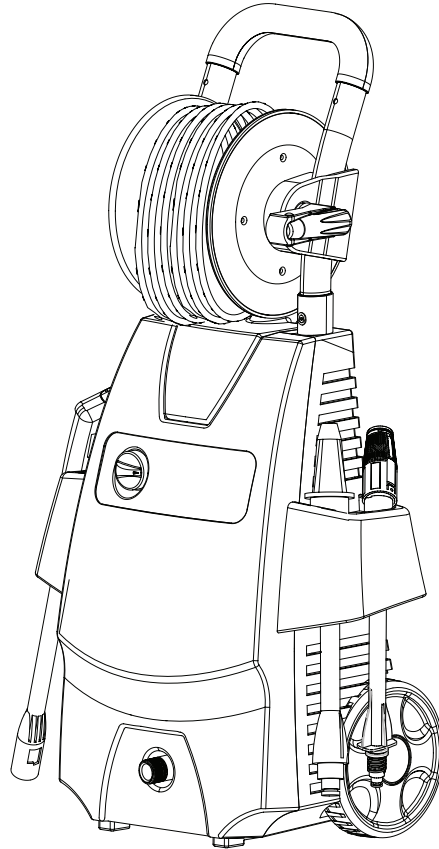


TASK FORCE™

1750PSI ELECTRIC PRESSURE WASHER

ITEM: 248903

MODEL NO.: ZE04



⚠ CAUTION ⚠

BEFORE OPERATING THIS UNIT, PLEASE READ THIS MANUAL THOROUGHLY AND RETAIN IT FOR FUTURE REFERENCE.

IF YOU MUST STORE YOUR PRESSURE WASHER IN A PLACE WHERE TEMPERATURE IS BELOW 41°F (5°C), YOU MUST APPLY WINTERIZING PROCEDURE TO PROTECT IT. FAILURE TO WINTERIZE THE UNIT MAY PERMANENTLY DAMAGE PUMP AND VOID THE WARRANTY. SEE PAGE 10 FOR WINTERIZING PROCEDURE.

QUESTIONS, PROBLEMS, MISSING PARTS?

Before returning to your retailer, call our customer service at **1-866-990-9918**

or email us at **info@activeproducts.com**

PURCHASE DATE: _____ SERIAL#: _____

PLEASE KEEP THE ORIGINAL BOX, PACKAGING AND RECEIPT.

ZE04_08/2007REV.3

TABLE OF CONTENTS

Technical Specifications i
Precautions..... 1
Safety Features and Electrical Power Information2
Package Contents3
Assembly Instructions.....4
Operating instruction5
Using the Accessories8
Working with Detergent9
Shut Down and Clean-up 11
Taking a Break..... 11
Winterizing and Long-term Storage.....12
Maintaining Your Pressure Washer13
Troubleshooting.....14
Warranty16
Replacement Parts and Diagram 17

TECHNICAL SPECIFICATIONS

SPECIFICATIONS

Max. pressure:	1750PSI
Water flow rate:	1.4GPM
Power source requirement:	120V, 60HZ
Electrical cord:	35 ft WITH GFCI
High-pressure hose:	23 ft
Rated current:	12.5A
Water supply:	COLD TAP WATER

IMPORTANT SAFETY INSTRUCTIONS - READ FIRST!

⚠ SAFETY WARNINGS ⚠

When using this product, basic precautions should always be followed:

- Read all the instructions before using the product.
- Water spray must never be directed towards any electric wiring, devices or directly towards the pressure washer machine itself or fatal electric shock may occur.
- To reduce the risk of injury, do not operate the machine near children.
- Learn how to stop the machine and release pressure quickly. Be thoroughly familiar with the controls.
- Stay alert—watch what you are doing.
- For use with cold water supply only. Do not draw other liquids.
- The pressure washer should not be used in areas where gas vapours may be present. An electric spark could cause an explosion or fire.
- To minimize the amount of water getting into the pressure washer, the unit should be placed as far as possible from the cleaning site during operation.
- Avoid accidental starts. Shut power “OFF” before connecting or disconnecting cord to electrical outlets.
- Do not operate the product when fatigued or under the influence of alcohol or drugs.
- Do not stand on unstable surfaces. Stand with both feet balanced at all times.
- Prior to starting the pressure washer in cold weather, be sure ice has not formed in any part of the equipment.
- Never carry your pressure washer by the cord. Do not pull on the cord to disconnect from the outlet.
- To allow free air circulation, the pressure washer should not be covered during operation.
- Keep operating area clear of all people.
- Follow the maintenance instructions specified in the manual.
- This product is provided with a Ground Fault Circuit Interrupter built into the power cord plug. If replacement of the plug or cord is needed, use only identical replacement parts.
- California Proposition 65: This product or its power cord contains lead, a chemical known to the State of California to cause cancer, birth defects or other reproductive harm. Wash hands after use.

⚠ WARNINGS ⚠

- Do not use with flammable liquids and toxic chemicals.
- Injection Hazard: Equipment can cause serious injury if the spray penetrates the skin.
- Do not point the gun at anyone or any part of the body. In case of penetration seek medical aid immediately.

- This system is capable of producing 1750PSI. To avoid rupture and injury, do not operate this pump with components rated less than 1750PSI working pressure (including but not limited to spray guns, hose and hose connections).
- Before servicing, cleaning or removal of any parts, shut “OFF” power and relieve pressure.
- Do not spray electrical apparatus and wiring. If connection is made to a portable water system, the system shall be protected against backflow.

WARNING - Risk of Injection or Injury - Do Not Direct Discharge Stream at Persons

- High pressure jet can be dangerous if misused. The jet must not be directed at persons, animals, electrical devices, or the unit itself.

WARNING - Risk of Explosion - Do not spray flammable liquids

- Do not use acids and solvents in this product. These products can cause physical injuries to the operator and irreversible damage to the machine.

CAUTION - Gun Kicks Back - Hold with both hands

- The trigger gun safety lock prevents the trigger from accidentally being engaged. The safety feature DOES NOT lock trigger in the ON position.

WARNING - Risk of Electrocution

- Inspect cord before using - Do not use if cord is damaged.
- Keep all connections dry and off the ground.
- Do not touch plug with wet hands.
- Do not use extension cord with the product.

⚠ SAVE THESE INSTRUCTIONS ⚠

Servicing of a double-insulation product:

In a double-insulation product, two systems of insulation are provided instead of grounding. No grounding means is provided on a double-insulated product, nor should a means for grounding be added to the product. Servicing a double-insulated product requires extreme care and knowledge of the system, and should be done only by qualified service personnel. Replacement parts of a double-insulated product must be identical to the parts they replace. A double-insulated product is marked with the words “DOUBLE INSULATION” or “DOUBLE INSULATED”. The symbol “☐” may also be marked on the product.

SAFETY FEATURES AND ELECTRICAL POWER INFORMATION

The pressure washer is equipped with a stop device that will sense when the trigger on the gun is released. It will open the power circuit to the motor and cause the pressure washer motor to stop. Motor will resume again when trigger is pulled.

WARNING

The pressure washer is also equipped with a main power “ON/OFF” switch located on the unit. It should always be moved to the “OFF” position when the pressure washer is not being used to prevent possible injury or damage.

Ground Fault Circuit Interrupter:

This pressure washer has a ground-fault circuit-interrupter (GFCI) built into the plug of the power supply cord. This device provides additional protection from the risk of shock. Should replacement of the plug or cord become necessary, use only identical replacement parts that include GFCI protection.

Extension Cords

If possible, do not use extension cords with this product. However, if you must use one, observe all the warnings and instructions listed below:

WARNING

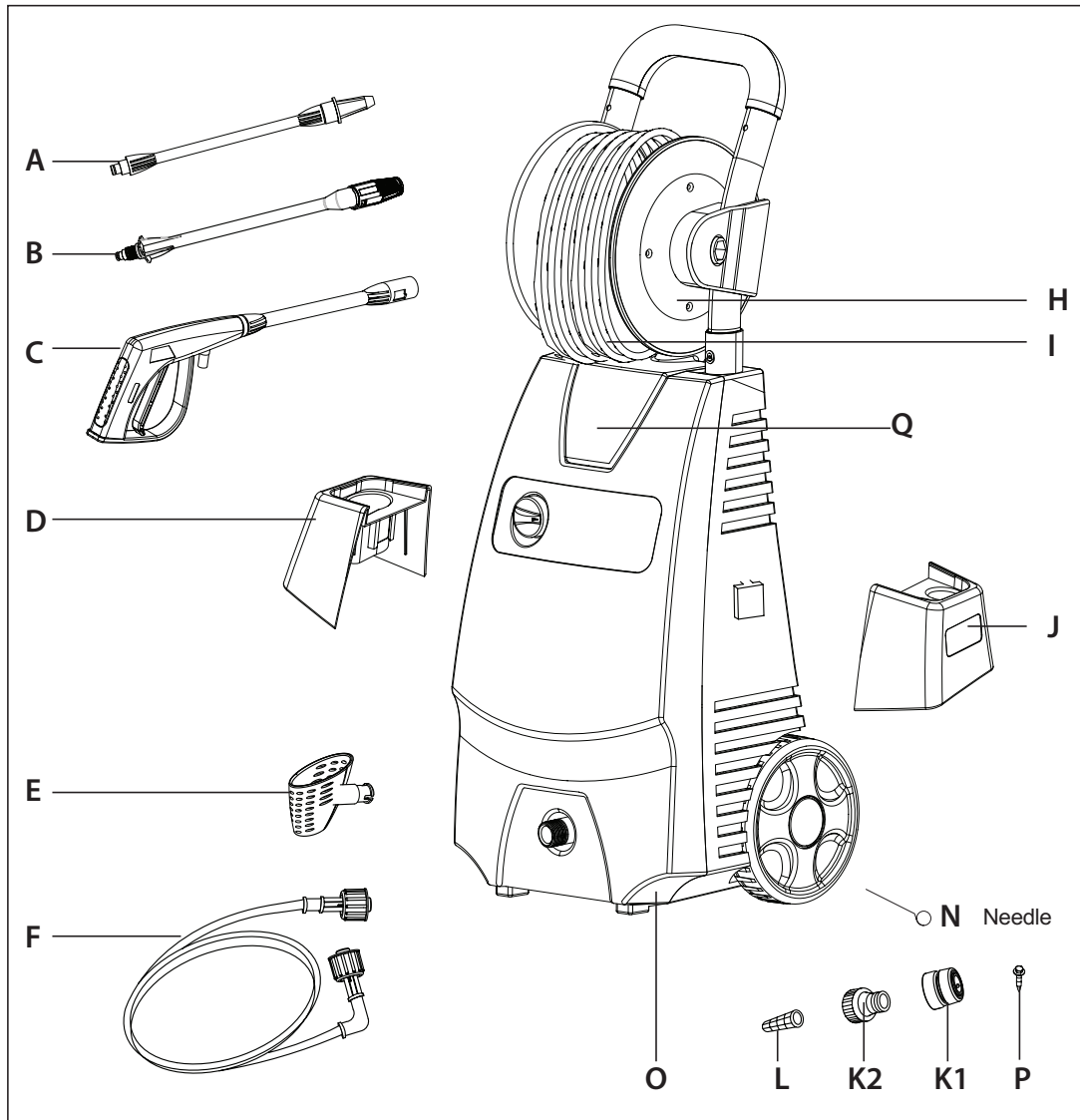
Extension cords are not recommended unless they are plugged into a ground fault circuit-interrupter found in circuit boxes or protected receptacles.

Use a sufficient gauge:

Maximum cable length: 50 ft = 14 AWG

- Use only extension cords that are intended for outdoor use. These extension cords are identified by a marking “Acceptable for use with outdoor appliances; store indoors while not in use.”
- Use only extension cords having an electrical rating not less than the rating of the product.
- Do not use damaged extension cords. Examine extension cord before using and replace if damaged. Do not abuse extension cord and do not yank on any cord to disconnect.
- Keep cord away from heat and sharp edges.
- Always disconnect the extension cord from the receptacle before disconnecting the product from the extension cord.
- To reduce the risk of electrocution, keep all connections dry and off the ground. Do not touch plug with wet hands.

PACKAGE CONTENTS



Parts List

Item No.	Quantity	Part Name
A	1	Turbo wand
B	1	Adjustable wand
C	1	Gun assembly
D	1	Left wing (gun holder)
E	1	Gun holster
F	1	Extension hose
H	1	Hose reel
I	1	High-pressure hose
J	1	Right-wing (wand holder)
K1	1	Quick-connect coupling
K2	1	Inlet Adapter

Items No.	Quantity	Part Name
L	1	Water filter
N	1	Needle
O	1	Main unit
P	1	Wing screw
Q	1	Detergent container

ASSEMBLY INSTRUCTIONS

Assembly Time: 5 minutes / Tools Required: Screw Driver

Surface Preparation

Before starting any cleaning task, it is important to inspect the area for objects which could create a hazard. Remove any objects from the work area which could be tripped over, such as toys or outdoor furniture. Ensure that all doors and windows are closed tightly.

⚠ CAUTION ⚠

- Never use the pressure washer to draw in water contaminated with solvents (e.g. paint thinners, gasoline, oil, etc.).
- Dirt in the feed water will damage the unit. To avoid this risk, we recommend checking the water filter (located inside the water inlet; to clean it out see Maintenance section on page 11).
- Always prevent debris from being drawn into the unit by using a clean water source and an accessory water filter if required.

Water Supply (Cold Water Only):

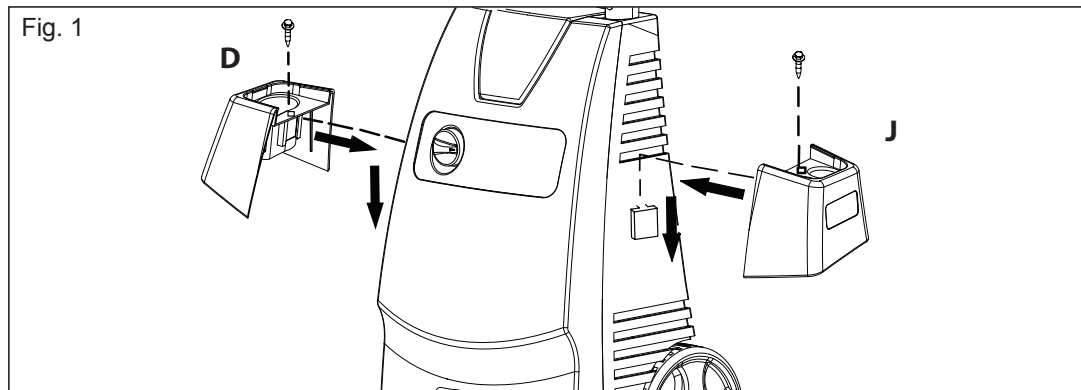
- Do not draw non-water liquids through the unit. For use with cold water supply only.
- Water hose must be at least a 1/2 inch diameter.
- Flow rate of water supply must not fall below 2 GPM (gallons per minute).
- Flow rate can be determined by running the water for one minute into an empty 5-gallon container.
- The water supply temperature must not exceed 104°F (40°C).

⚠ CAUTION ⚠

To prolong the life of the unit, it is recommended to rest the unit 5 minutes after every 30 minutes of use.

Step 1

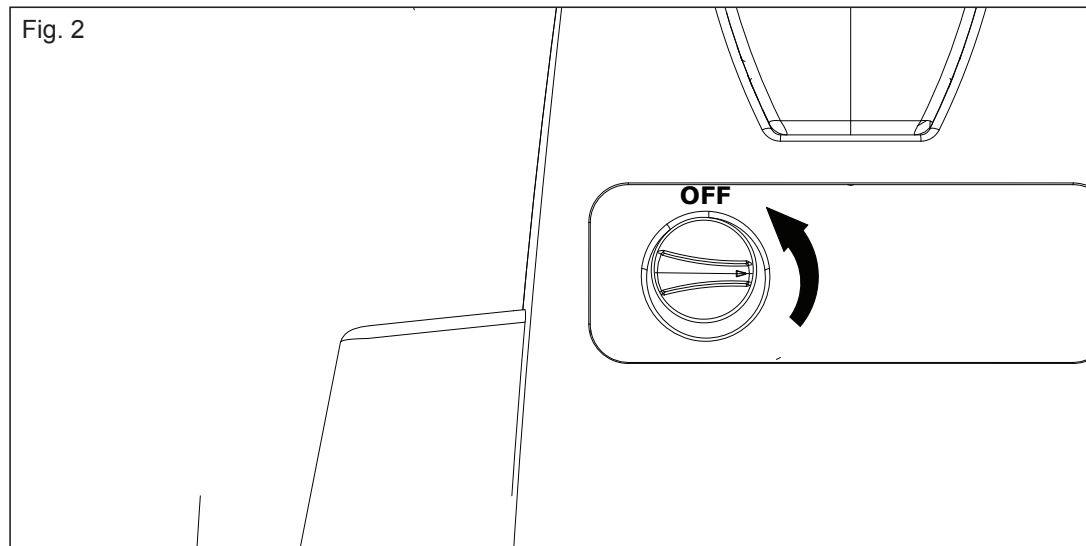
Attach the left wing (D) and the right wing (J) to the pressure washer unit and tighten the screws to secure the wings to the main unit.



OPERATING INSTRUCTIONS

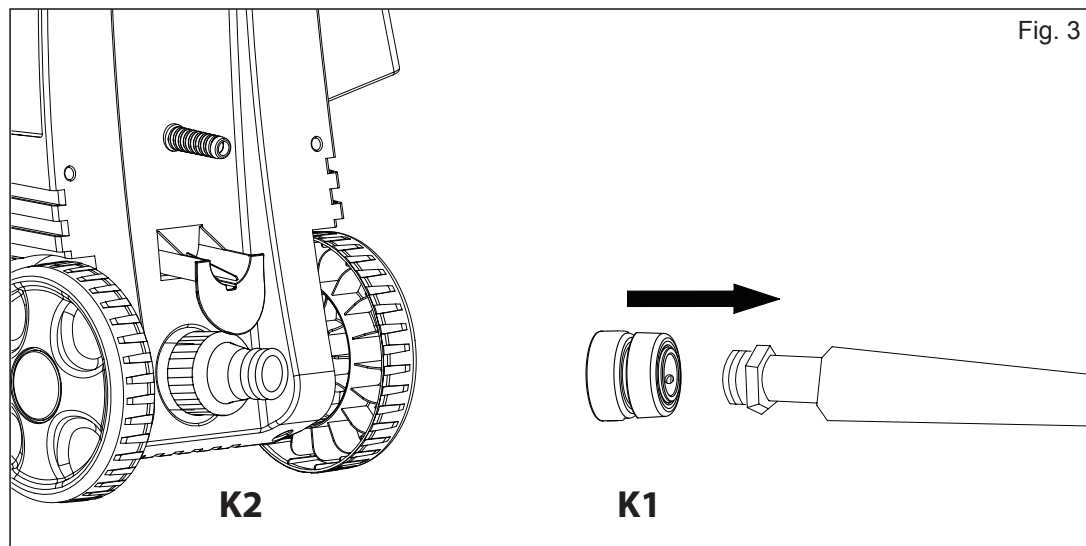
Step 1

Make sure that the ON/OFF switch is in the "OFF" position.



Step 2

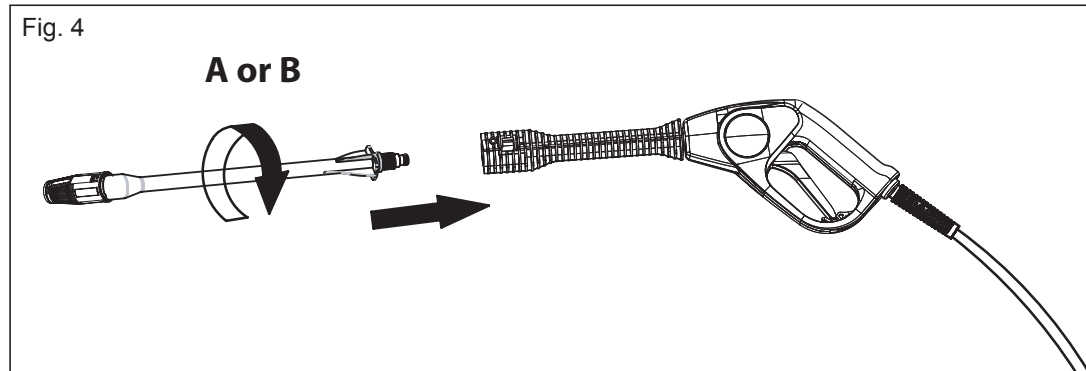
Fasten the quick-connect coupling (K1) onto the garden hose and then attach the quick-connecting coupling (K1) to the inlet adaptor (K2).



OPERATING INSTRUCTIONS

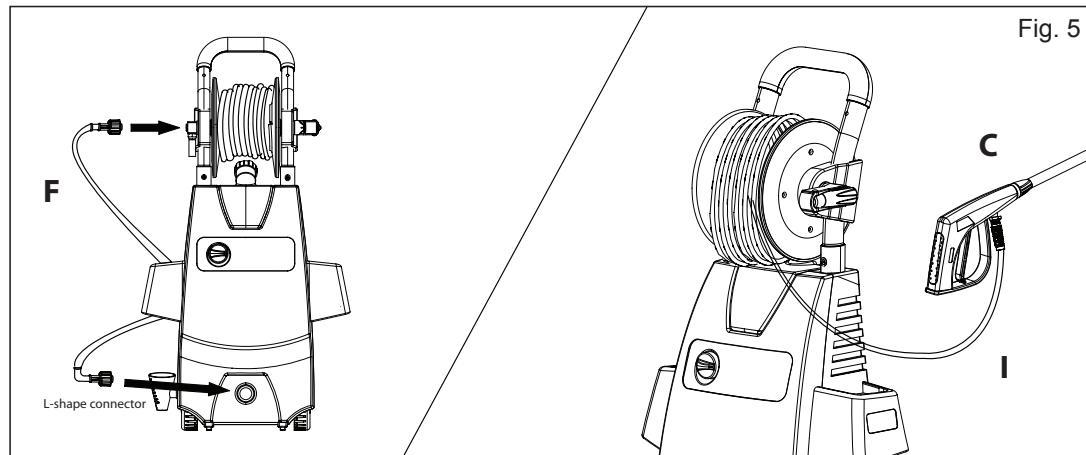
Step 3

Insert the wand (A or B) into spray gun, and twist 1/4 turn until rectangular tab appears.



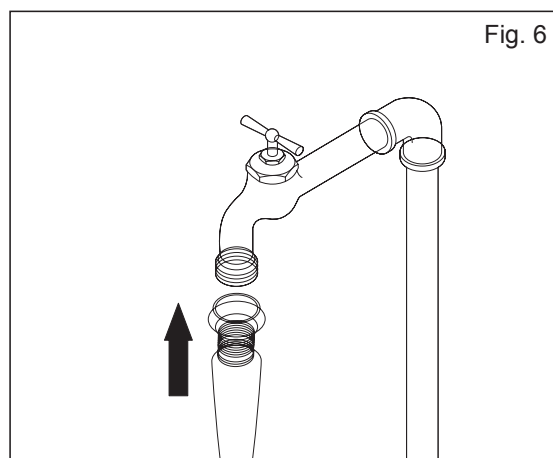
Step 4

Attach the L-shape coupler end of the extension hose (F) into the water outlet and the other end into the hose reel (H). Fasten the extension hose (I) tightly onto the gun assembly (C) and tighten to avoid leakage.



Step 5

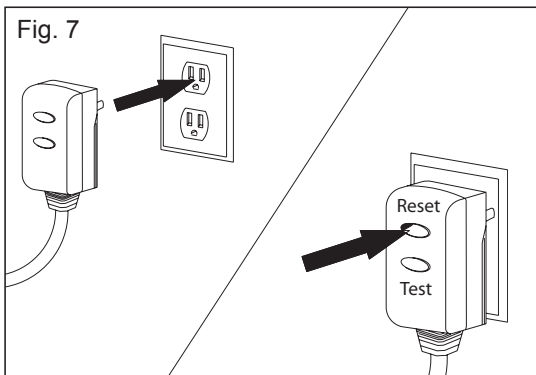
Attach garden hose to water supply and turn water on.



OPERATING INSTRUCTIONS

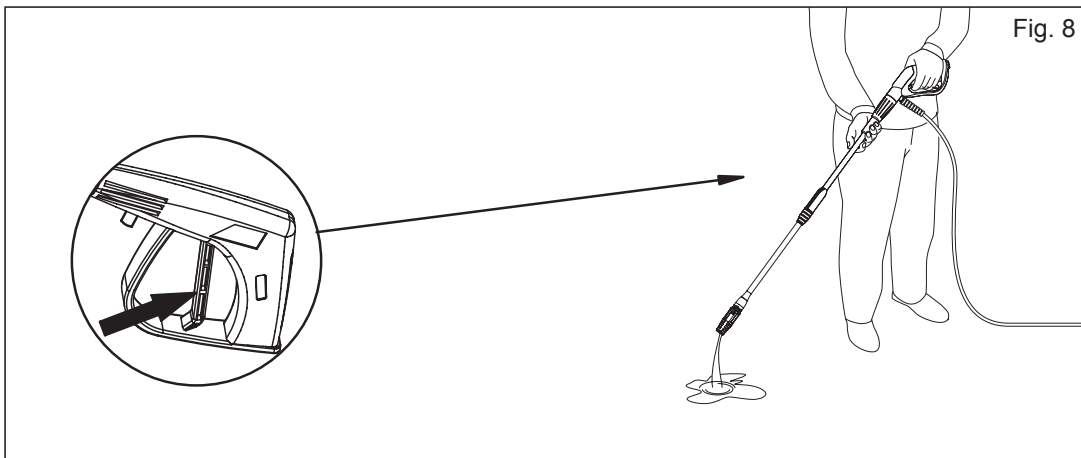
Step 6

Plug the unit into an outlet. Press "TEST". Then press "RESET" to assure proper connection to power.



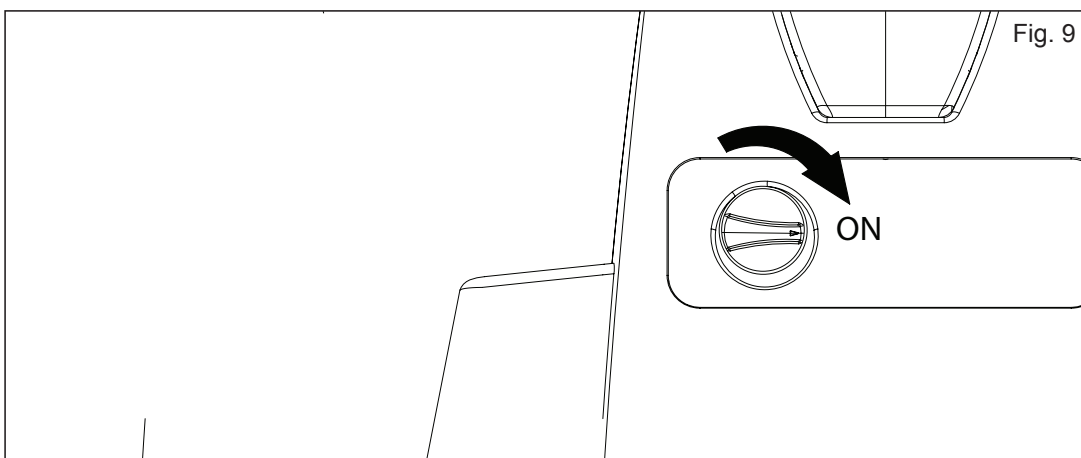
Step 7

Before turning the unit "ON", depress the trigger to bleed any trapped air out of the pump and hose.

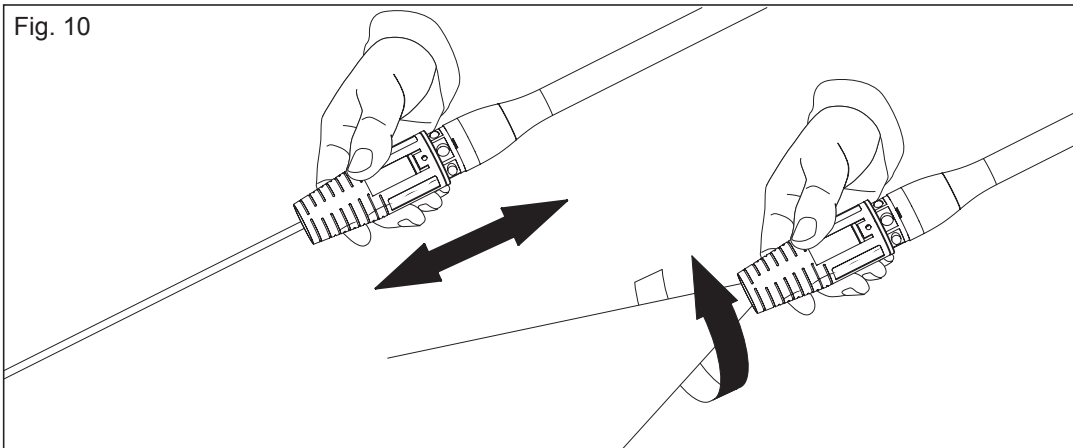


Step 8

Release trigger and start the pressure washer by turning ON/OFF switch to ON.



USING THE ACCESSORIES



Adjusting the spray

The adjustable spray nozzle can be adjusted from fan to jet. The spray is adjusted from jet to fan spray by turning the nozzle as shown in Fig. 10.

⚠ CAUTION ⚠

Jet spray adjustment is very aggressive. Do not adjust while spraying. We recommend that for most cleaning applications a 20° spray angle should be used to avoid damage to the surface being sprayed.

⚠ CAUTION ⚠

To prolong the life of the unit, it is recommended to rest the unit 5 minutes after every 30 minutes of use.

WORKING WITH DETERGENTS

Working with detergent ensures a quick soaking of the dirt, and allows the high-pressure water to penetrate and remove the dirt more effectively. Always spray detergent on a dry surface, do not pre-soak area. Wetting the surface first dilutes the detergent and reduces its cleaning ability.

To apply detergents you must be operating at low-pressure. This provides a gentle application of detergent, with the pressure equivalent to a low-set garden hose. The high-pressure setting is used for cleaning; you cannot apply detergents when working at high-pressure. Always test detergent in an inconspicuous area before use.

⚠ CAUTION ⚠

Only use cleaning detergents recommended for this pressure washer.

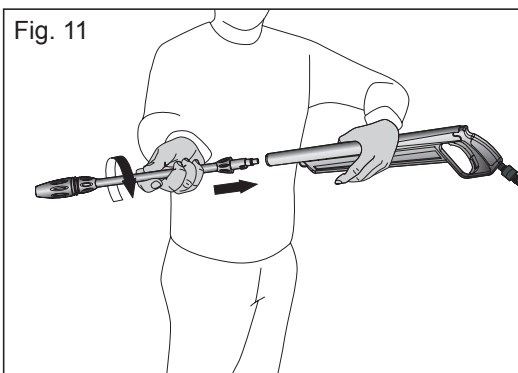


Fig. 11

Step 1

Install the adjustable wand into spray gun and twist. Turn until rectangular tab appears.

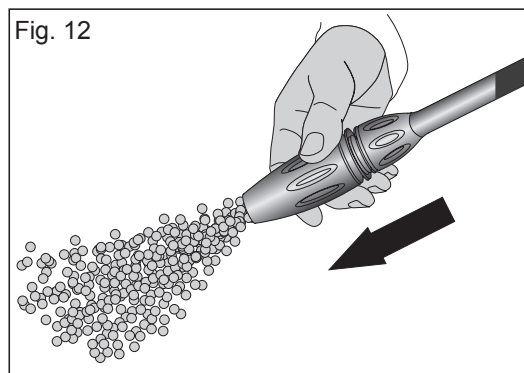


Fig. 12

Step 2

Set the adjustable nozzle to the low-pressure setting. The nozzle must be set in the low-pressure position to apply detergent.

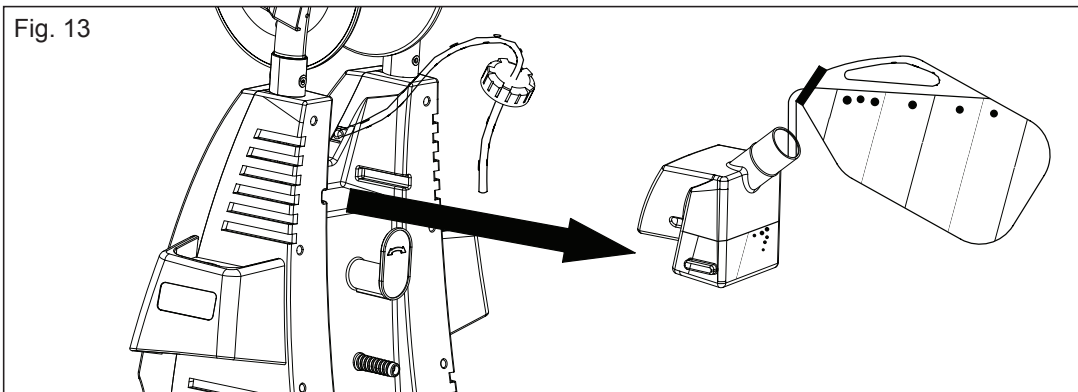


Fig. 13

Step 3

Gently pull detergent containers out of its storage position and fill with detergent. Push containers back into its storage position.

WORKING WITH DETERGENTS — CONTINUED

Step 4

Turn on the pressure washer. Pull trigger to operate unit. The liquid detergent will automatically mix with water and be discharged through nozzle. Apply detergent to a DRY work surface, from bottom to top.

Step 5

Allow detergent to remain on the surface for a short time before rinsing. Do not allow detergent to dry on surface.

Step 6

Rinse with clean water under high-pressure. On a vertical surface, rinse from the bottom up, then rinse from the top down to avoid streaking. Hold nozzle 6-8 inch from the work surface at a 45 angle.

Step 7 (End of detergent application)

When you have finished using the detergent injection system, remove detergent suction tube from bottle and insert into 5L (1 gallon) of fresh water. Siphon water at low-pressure for one minute so that all detergent is flushed through system. Remove detergent bottle and rinse it until it is thoroughly cleaned.

CAUTION

Damage may occur to painted surface if chemical is allowed to dry on surface. Wash and rinse a small section at a time. Avoid working on hot surfaces or in direct sunlight.

CAUTION

Failure to clean properly will cause the injection system to become clogged and inoperable.

CAUTION

Never use:

- Bleach, chlorine products and other corrosive chemicals
- Liquids containing solvents (i.e., paint thinners, gasoline, oils)
- Tri-sodium phosphate products
- Ammonia products
- Acid-based products

These chemicals will harm the unit and will damage the surface being cleaned.

SHUTTING DOWN AND CLEANING UP

Step 1

Turn the switch to "OFF" (0) position and unplug cord from outlet.

Step 2

Turn off the water supply.

Step 3

Press trigger to release water pressure for 20~30 seconds.

Step 4

Disconnect the garden hose from the water inlet on the unit.

Step 5

Disconnect the high-pressure hose from the high-pressure outlet and engage the gun safety lock.

WARNING

Turn off water supply and squeeze trigger to depressurize the unit. Failure to do so could result in personal injury due to discharge of high-pressure water.

TAKING A BREAK

If taking a break of five minutes or more:

Step 1

Engage gun safety lock.

Step 2

Turn pressure washer to "OFF" (O) position.

Step 3

Unplug the power cord from the outlet.

WINTERIZING AND LONG-TERM STORAGE

Optimum Winterizing Procedure

Material required: Pump saver

Winterizing your pressure washer will help protect and prolong its life. It is strongly recommended you follow the below steps using a pump saver. This will keep the internal parts lubricated, protected from rust, and prevent the pump from freezing.

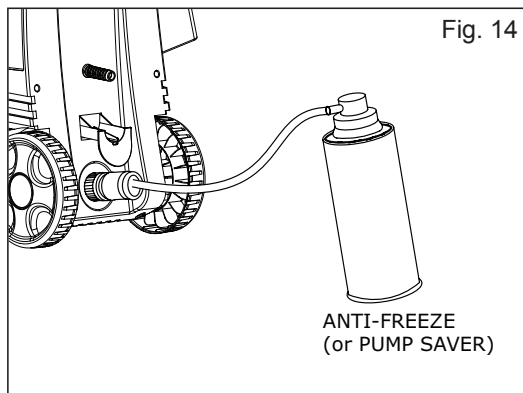
1. Connect the pump saver hose onto the adaptor and quick-connect coupling.
2. Depress button on top of antifreeze container.
3. Continue until fluid exits the pump outlet.
4. Remove the hose from pump inlet.

Pump saver is available at your local hardware stores.

Alternative Procedure

If you cannot perform the Optimum Winterizing procedure, you can still protect your pressure washer from winter-damage:

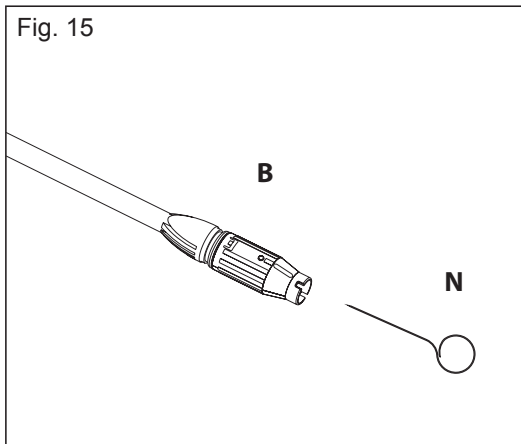
1. Disconnect all water connections.
2. Turn on the machine for a few seconds. Press trigger to bleed any remaining water in the pump. Turn off immediately.
3. Remove the gun and hose from the pressure washer. Drain any excess water. Roll hose carefully and do not allow hose to be kinked.
4. Store the machine and accessories in a room that does not reach freezing temperatures. Do not store near furnace or other hot areas.



USER MAINTENANCE

Connections

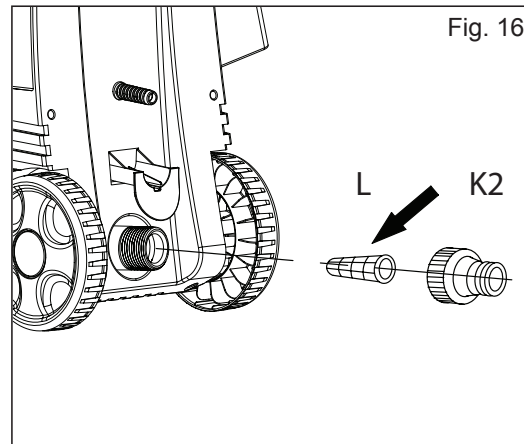
Connections on pressure washer hoses, gun and spray wand should be cleaned regularly and lubricated with non-water soluble grease.



Adjustable Nozzle (Fig. 15)

When the nozzle is clogged, it will cause the pump to build pressure and may cause the unit to surge. You can clean the nozzle by inserting needle (N) into the tip to rid it of the deposits.

For the adjustable nozzle, you can also lubricate the nozzle collar (high-pressure low-pressure) by using non-water soluble grease regularly.



Water Filter Screen (Fig. 16)

The pressure washer is equipped with a water inlet filter (L) that prevents debris going into the pump. If the filter is not kept clean, the flow of water to the pressure washer will be restricted and the pump may be damaged.

1. To clean the screen, remove quick connector and remove the filter screen from the pump inlet.
2. Rinse screen until it is free of debris and blockage.
3. Replace screen and quick-connector immediately.

Air Vents

The air vents located on the front and back of the pressure washer must be kept clean and free of any obstructions to ensure proper air-cooling of the motor during operation.

SERVICING SHOULD BE PERFORMED BY AN AUTHORIZED SERVICE REPRESENTATIVE. CHECK WITH YOUR LOCAL RETAILERS FOR THE WARRANTY POLICY AND SERVICE OPTION.

TROUBLESHOOTING

Problem	Cause	Solution
Motor will not start	GFCI needs to be reset.	Press RESET button on the GFCI.
	On/Off switch is in the "OFF" (O) position.	Turn switch to the "ON" () position.
	Power cord is not plugged in.	Plug in power cord.
	Extension cord is too long. Extension cord is not proper gauge. Extension cord is damaged.	Replace extension cord with one no greater than 14AWG, 50ft.
	Electrical outlet does not supply adequate power.	Try a different outlet.
Unit does not reach	Diameter of garden hose is too small.	Replace with an inch or 5/8 inch garden hose.
	Water supply is restricted.	Check garden hose for kinks, leaks and blockage.
	Not enough inlet water supply.	Open water source full force.
	Water inlet filter is clogged.	Remove filter and rinse out in warm water.
	Pump is sucking air.	Check that hoses and fittings are air tight. Turn "OFF" machine and purge pump by squeezing trigger gun until a steady flow of water emerges through the nozzle.
Output pressure varies high and low	Not enough inlet water supply.	Turn water on full force. Check garden hose for kinks, leaks or blockage.
	Pump is sucking air.	Check that hoses and fittings are air tight. Turn "OFF" machine and purge pump by squeezing trigger gun until a steady flow of water emerges through the nozzle.
	Water inlet filter is clogged.	Remove filter and rinse out in warm water.
	Discharge nozzle is obstructed.	Blow out or remove debris with a fine needle.
No detergent.	Detergent container is empty.	Add more detergent.
	Detergent bottle or suction tube not properly connected.	Check connections.
	Detergent is too thick.	Dilute detergent
	Filter on detergent suction tube is clogged.	Run warm water through filter to remove debris.
	Damaged or clogged detergent suction tube.	Remove obstruction or replace detergent suction tube.
	Discharge nozzle is obstructed.	Turn nozzle tip to low-pressure position. Blow out or remove debris with a fine needle.

TROUBLESHOOTING - CONTINUED

Problem	Cause	Solution
Garden hose connection leaks.	Loose fittings.	Tighten fittings.
	Missing/worn rubber washer.	Insert new washer.
Spray wand, or extension, or nozzle leaks.	Spray nozzle not properly attached.	Insert the spray nozzle into the trigger gun. Carefully press in against the spring tension and twist into the locked position.
	Broken o-ring or plastic insert.	Call Customer Service.
Pump is noisy.	Pump is sucking air.	Check that hoses and fittings are air tight. Turn off machine and purge pump by squeezing trigger gun until a steady flow of water emerges through the nozzle.
Water leaks from pump (up to 10 drops per minute is permissible).	Loose fittings.	Check that all fittings are tight.
	Water seals are damaged or worn.	Call Customer Service.
Oil Drip.	Oil seals are damaged or worn.	Call Customer Service.
Motor buzzes but fails to run.	Supply voltage below minimum.	Verify that only the pressure washer is running on this circuit.
	System has residual pressure.	Turn unit "OFF", squeeze trigger on spray wand to release pressure, then turn unit "ON".
	Voltage loss due to extension cord.	Do not use extension cord with this unit—plug directly into power outlet.
	Pressure washer not used for long periods	Call Customer Service.

IF YOU ENCOUNTER ANY ADDITIONAL DIFFICULTIES NOT LISTED, CALL CUSTOMER SERVICE AT 1-866-990-9918 FOR ASSISTANCE.

WARRANTY

LIMITED 1-YEAR WARRANTY

This pressure washer is warranted to be free of defects in materials and workmanship under normal residential use for one (1) year.

Specific warranty applies to:

- Electric motor and pump are warranted for one (1) year.
- Standard accessories and attachments including the gun, wand/hose and coupler are warranted for a ninety (90) day period.

The warranty period is calculated from the date of purchase by the end user and covers the cost for replacement parts/equipment. In order to verify a warranty situation a copy of the original receipt or gift receipt must accompany the warranty claim, along with the manufacturer's serial number from the product. Any warranty claim, work, or replacements given are to fulfill the terms of the original warranty period only.

The manufacturer's obligation under this warranty shall strictly be limited, at manufacturer's option, to replace any pressure washer or parts thereof, which in the opinion of the manufacturer, shows defect in workmanship or material. All decisions of the manufacturer with regard to this limited warranty shall be final.

To make a warranty claim or inquiry, you must call 1-866-990-9918. You must have the product serial number and receipt information ready.

If defects should appear within one year of purchase, you may return the unit with your receipt as proof of purchase to the place of purchase for an exchange of either a new or refurbished unit, at manufacturer's discretion. There will be no REFUNDS provided.

The warranty does NOT cover:

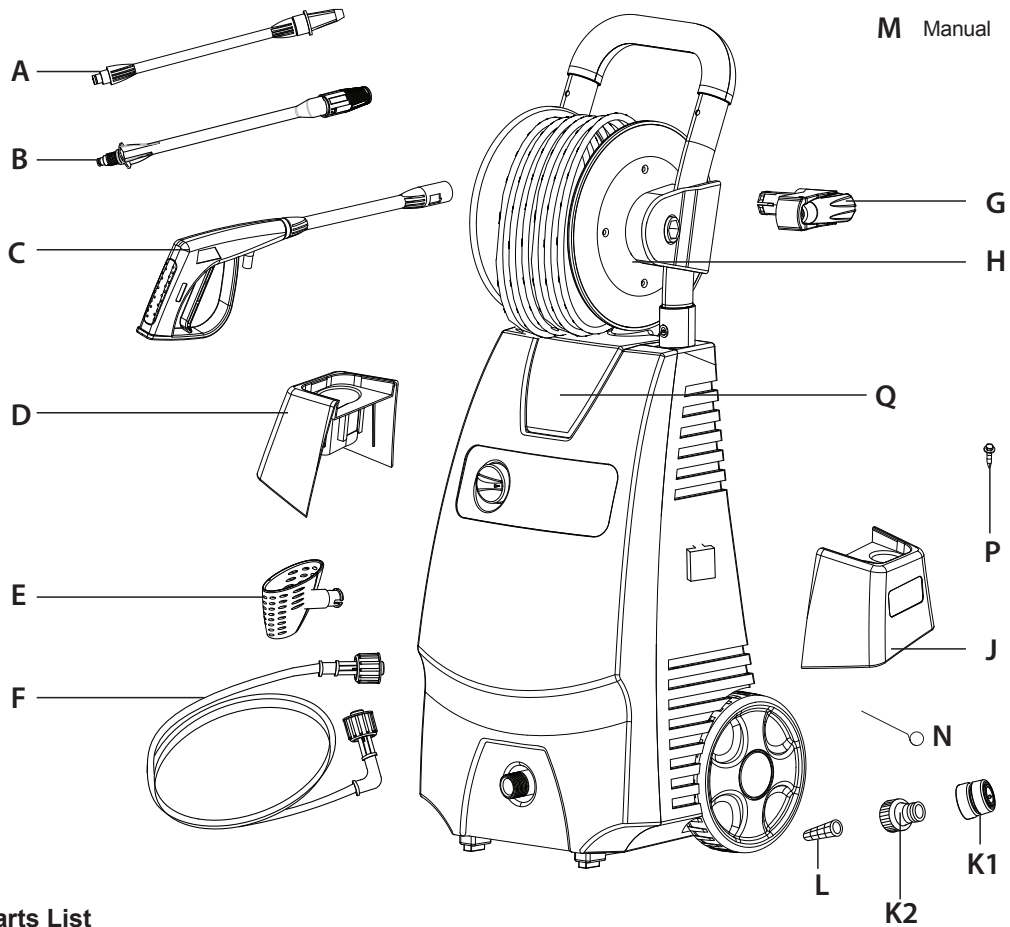
- Merchandise sold as reconditioned, used, demonstration or floor models.
- Any commercial, industrial or rental usage of this product. Any such usage will void the implied warranty.
- Any product that has been damaged by freezing, dropping, misuse, neglect, accident, abuse, improper handling, normal wear and tear, or non-compliance with the owner's manual.
- Any product that has been damaged by a contaminated water supply, water sediment or chemicals/detergents that are not approved by or recommended by the manufacturer.
- Any product that has been damaged by acts of nature such as fires, floods, earthquakes, lightning strikes, etc.
- Damage caused by repairs made by the end user or any service center not authorized by the manufacturer. Any such tampering will void the implied warranty.
- Any cost for shipping by the customer or authorized service center of the allegedly defective product.
- Any cost for shipping of replacement parts or accessories. Such shipping costs will be borne in full by the end user.
- Any non-standard or bonus accessory/attachment included with the original product.

The manufacturer shall in no event be liable for injuries to persons or property, or for incidental, contingent, special or consequential damages arising from the use of this product. This warranty does not apply to damage due directly or indirectly to misuse, abuse, negligence or accidents; repairs or alterations; or lack of maintenance. The manufacturer shall not be liable for any misrepresentations by stores, store employees, or any parties, that make claims on this product.

This warranty is non-transferable and only applies to products that were sold in and reside in the United States. This warranty gives you specific legal rights. You may have other rights, which vary by state.

If you have any questions or comments, call our toll free customer service line at 1-866-990-9918.

REPLACEMENT PARTS AND DIAGRAM



Parts List

Item No.	Quantity	Part Name	Part No.
A	1	Turbo wand	(ZE04-090-0004)
B	1	Adjustable wand	(ZE01-090-0003)
C	1	Gun Assembly	(ZE01-090-0001)
D	1	Left Wing (Gun holder)	(ZE04-090-0007)
E	1	Gun holder	(ZE04-000-0001)
F	1	Extension hose	(ZE04-090-0008)
G	1	Hand crank	(ZE04-090-0009)
H	1	Hose Reel	(ZE04-090-0005)
I	1	High-pressure hose	(ZE04-090-0002)
J	1	Right Wing (Wand holder)	(ZE04-090-0006)
K1	1	Quick-connect coupling	(ZE01-050-0000)
K2	1	Inlet adaptor	
L	1	Water filter	(ZE01-000-0003)
M	1	User manual	(ZE04-900-0002)
N	1	Needle	(ZE01-900-0001)
P	2	Wing Screw	(ZE04-000-0006)
Q	1	Detergent container	(ZE04-090-0010)

Printed in China