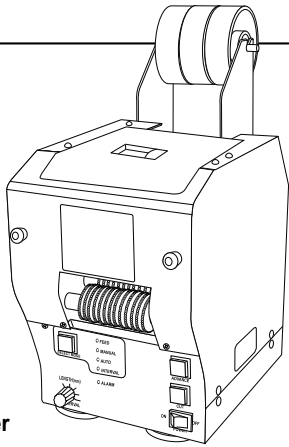


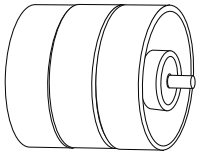
TDA080

Electric Tape Dispenser

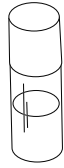
ITEMS INCLUDED



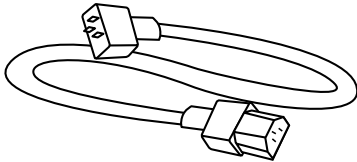
Dispenser



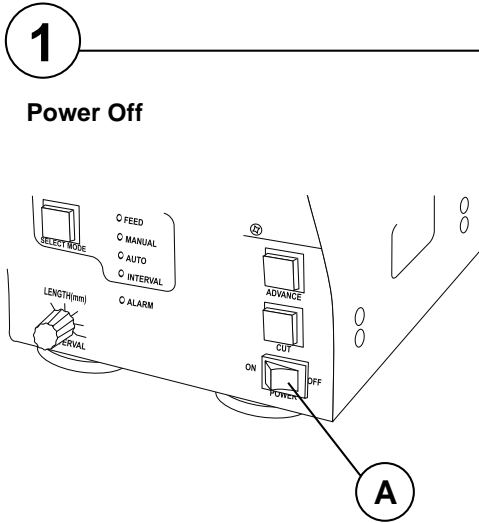
Core Holder



Silicon Oil

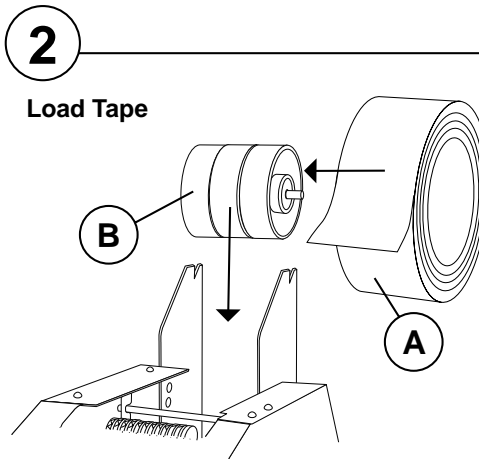


Power Cord



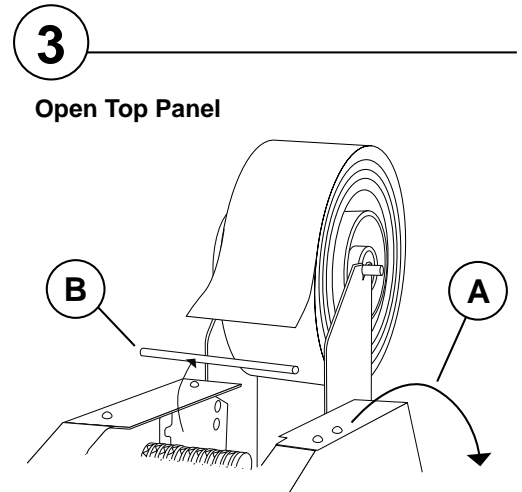
1 Power Off

A: Ensure power button is set to off



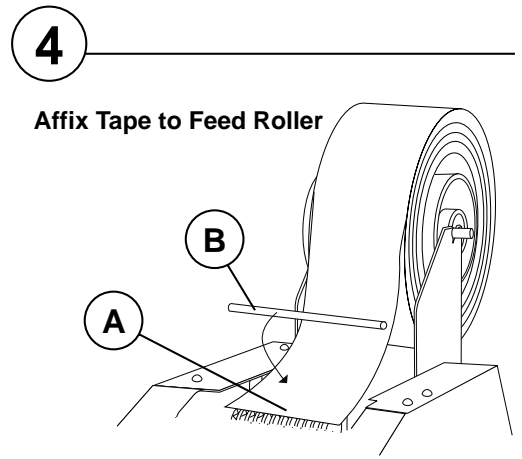
2 Load Tape

A: Slide tape roll onto core holder
B: Place loaded core on holding bracket



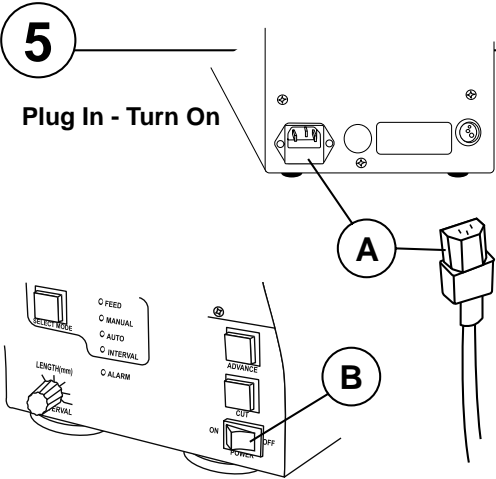
3 Open Top Panel

A: Open top door panel
B: Remove tape shaft from unit



4 Affix Tape to Feed Roller

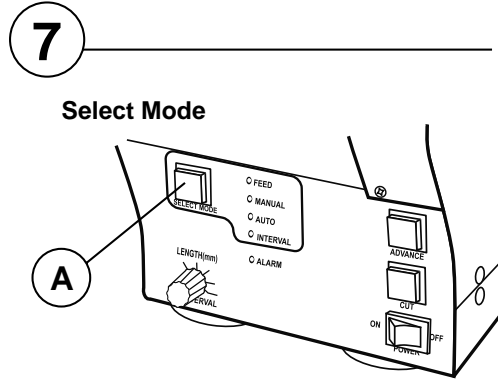
A: Affix tape onto feed roller
B: Re-insert tape shaft into guide



5

Plug In - Turn On

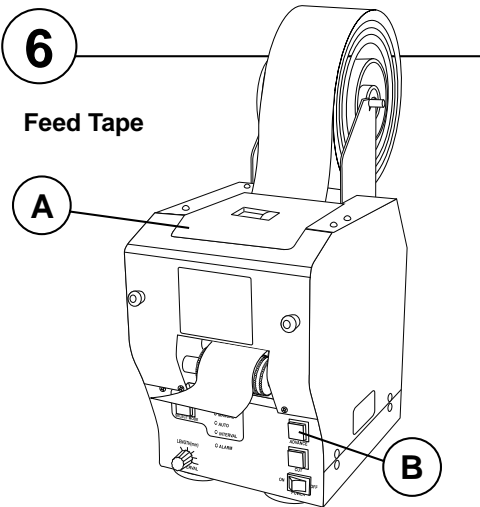
- A: Connect power cord (in back)
- B: Press power switch (on front) to turn on the machine



7

Select Mode

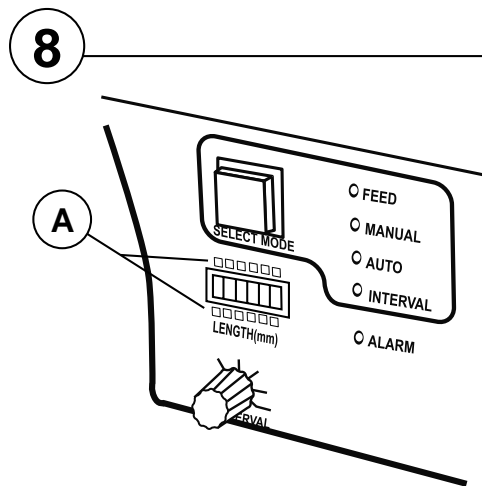
- A: Choose desired operation mode:
 - FEED
 - MANUAL (feed & cut)
 - AUTO (feed & cut)
 - INTERVAL (feed & cut)



6

Feed Tape

- A: Close top panel door
- B: Press advance button to feed tape



8

- A: Set desired tape length (mm) by pushing up or down buttons

TDA080 (NM & K Models)



Quick Start Guide



4270 Airborn Dr. Addison, TX 75001, USA
972.248.1999 | tech@startinternational.com

Need more help? Download the full manual or contact us → startinternational.com