

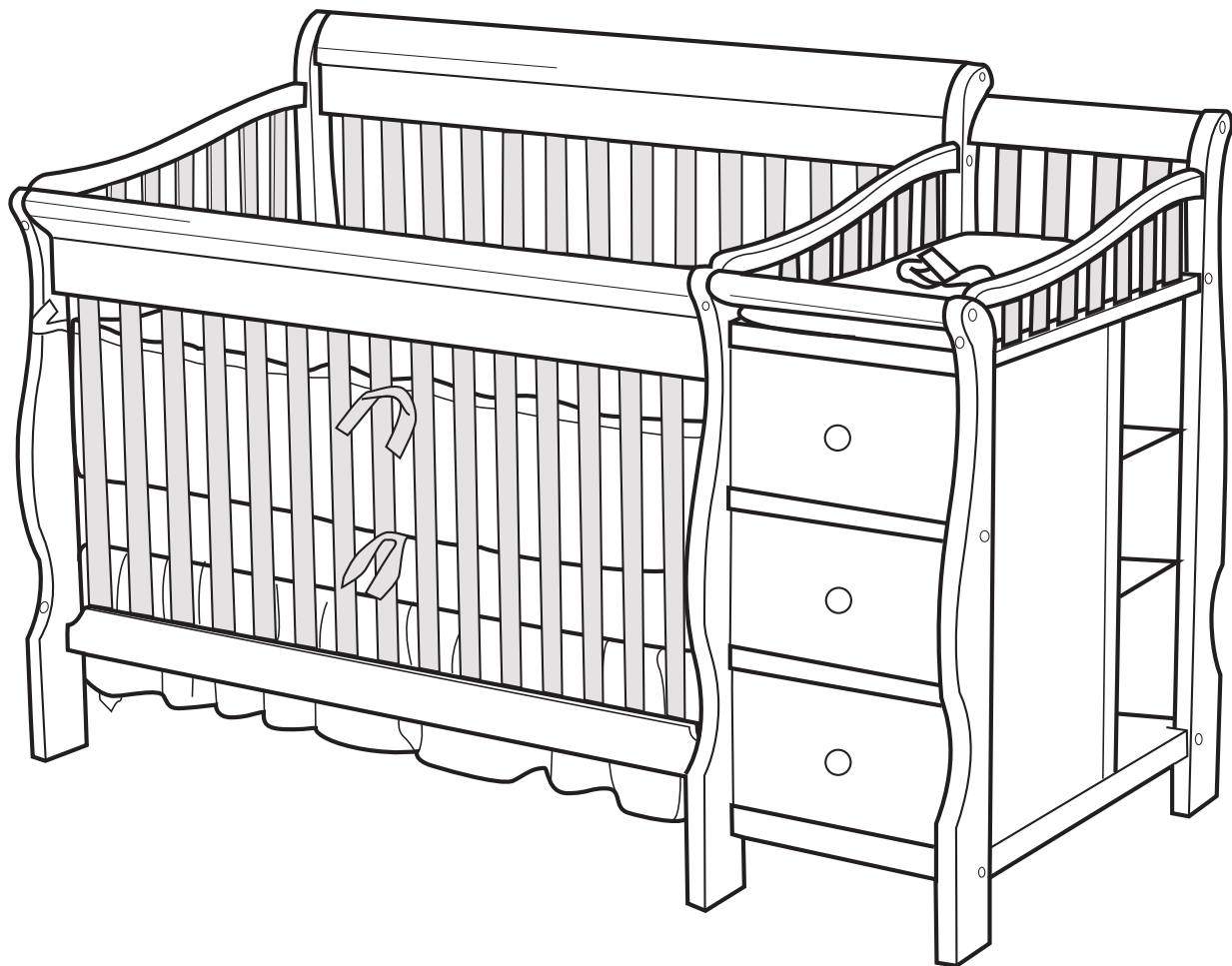


By Sorelle - A Division of C&T International, Inc.  
46 Whelan Road, East Rutherford, N. J. 07073 U. S. A.  
Tel, +1(201)531 1919 Fax, +1(201)531 1920

# 1050#

## Tuscany/Princeton Crib and More

### Assembly Instruction



#### **Important Information:**

Read all instructions BEFORE assembling crib.  
KEEP INSTRUCTIONS FOR FUTURE USE.

**CRIB WARNINGS**

**! WARNING -** Failure to follow these warnings and assembly instructions could result in serious injury or death.

- Read all instructions before assembling crib. **KEEP INSTRUCTIONS FOR FUTURE USE. DO NOT USE THIS CRIB IF THE INSTRUCTIONS CANNOT BE STRICTLY FOLLOWED.**

**! WARNING-** Infants can suffocate on soft bedding. Never add a pillow or comforter. Never place additional padding under an infant.

**! WARNING-** Infants can suffocate in gaps between crib sides and a mattress that is too small.

**! WARNING: Follow warnings on all products in a crib**

- To reduce the risk of SIDS, pediatricians recommend healthy infants be placed on their backs to sleep, unless otherwise advised by your physician.
- Before each usage or assembly, inspect crib for damaged hardware, loose joints, missing parts or sharp edges. **DO NOT** use crib if any parts are missing or broken. Ask your dealer or write to C&T International/Sorelle for replacement parts and instructional literature if needed. **DO NOT** substitute parts."
- **DO NOT** use a water mattress with this crib.
- **NEVER** use plastic shipping bags or other plastic film as mattress covers because they can cause suffocation.
- If refinishing, use a non-toxic finish specified for children's products.
- The product including side rails must be erected prior to use.

**! ENTRAPMENT/STRANGULATION HAZARD**

- Infants have died in toddler beds from entrapment and strangulation .
- To help prevent strangulation tighten all fasteners .
- A child can trap parts of the body or clothing on loose fasteners .
- Strings can cause strangulation! **DO NOT** place items with a string around a child's neck, such as hood strings or pacifier cords. **DO NOT** suspend strings over a crib or attach strings to toys.
- **DO NOT** place crib near window where cords from blinds or drapes may strangle a child. Child may fall out of window. **DO NOT** place cords, straps or similar items that could become wound around the child's neck in or near the crib.

**! FALL HAZARD**

- When child is able to pull to a standing position set matter to lowest position and remove bumper pads, large toys and other objects that could serve as steps for climbing out."
- When child is able to climb out or reaches the height of 35 in. (90 cm), the crib shall no longer be used and can be converted to the transitional bed.

**CAUTION : ANY MATTRESS USED IN THIS CRIB MUST BE AT LEAST 27 1/4" (69CM) x 51 5/8" (131 CM) WITH A THICKNESS NOT EXCEEDING 6" (15CM).**

- Ensure a safe environment for your child by checking regularly, (that every component is properly and securely in place) before placing your child in the crib. Make sure that all bolts and fasteners are tight.

**CHANGING TABLE WARNINGS**

**! WARNING -** Failure to follow these warnings and assembly instructions could result in serious injury or death.

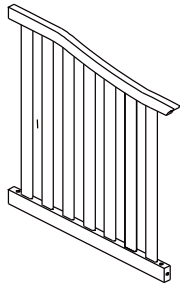
- FALL HAZARD—to prevent death or serious injury, always keep child within arm's reach. Never leave child unattended.
- Read all instructions before use of the changing table. Keep instructions for future use.
- Check all screws and bolts and make sure they are tight before using. From time to time check over your Changing Table. You should never use it if parts are missing or broken,
- Use only the pad provided by the manufacturer.
- DO NOT use the changing table if it is damaged or broken.
- Maximum weight of child: 30 lbs. (13.6 kg)
- Always secure the pad provided to the changing surface by inserting the safety belt through the slot in the changing pad. Always use the restraining strap provided

**CLEANING & MAINTENANCE**

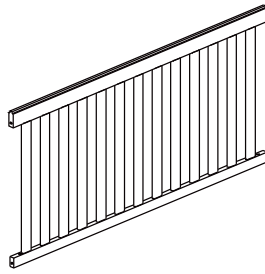
- ALWAYS STORE THE CRIB & CHANGING TABLE IN A CLEAN AND DRY PLACE.
- TO CLEAN YOUR CRIB & CHANGING TABLE, USE A SOFT DAMP CLOTH WITH A SMALL AMOUNT OF MILD SOAP, WIPE IMMEDIATELY WITH A DRY CLOTH.
- DO NOT USE ABRASIVES OR DETERGENT ON CRIB & CHANGING TABLE SURFACES.
- REGULARLY CHECK ALL SCREWS AND FITTINGS TO ENSURE THEY ARE TIGHT.
- THE IDEAL BALANCE IS TO MAINTAIN THE TEMPERATURE AROUND 21°C (70°F) AND THE RELATIVE HUMIDITY AT 40% TO PREVENT WARPING OR SPLITTING.

**Crib Assembly Parts**

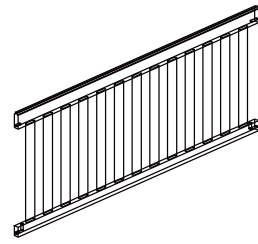
**PARTS LIST FOR *CRIB* ASSEMBLY**



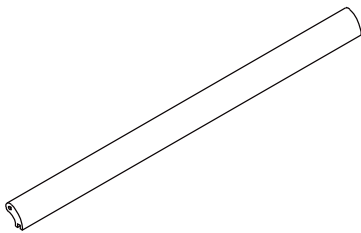
(A): Left Side Rail(x1)



(B) Back Side Rail (x1)



(C) Front Side Rail (x1)



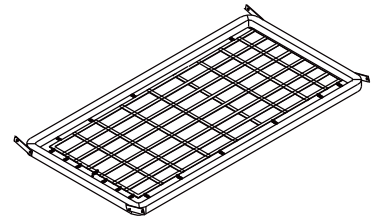
(D) Front&Back Contoured Top (x2)



(E) Rear Changer Leg (x1)

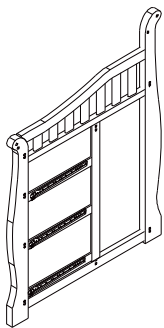


(F) Front Changer Leg (x1)

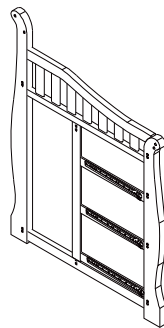


(G) Metal Mattess Support (x1)

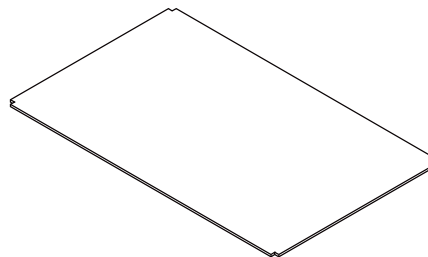
**PARTS LIST FOR *CHANGER/DRESSER* ASSEMBLY**



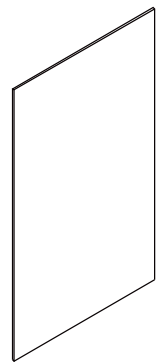
(H): Midlle Panel (x1)



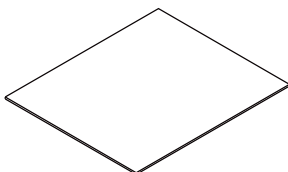
(I) Right End (x1)



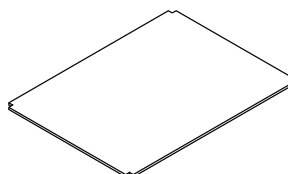
(J) Top Shelf (x1)



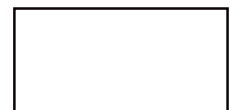
(K) Middle Shelf (x1)



(L) Small Shelves (x2)



(M) Bottom Shelf (x1)



(N) Change Pad (x1)

**Assembly Parts**

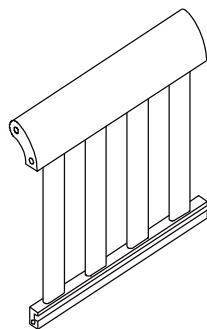
**PARTS LIST FOR *CHANGER/DRESSER* ASSEMBLY**



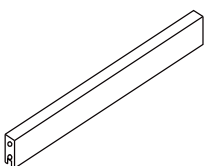
(V) Rear Dresser Leg (x1)



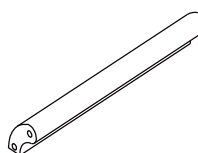
(W) Front Foot Board Leg (x1)



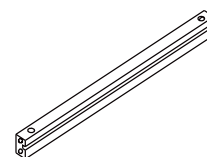
(O1) Decorative Support Bar Bolt Ends (x1)



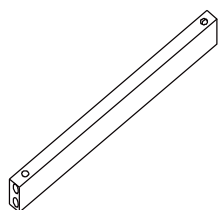
(O2) Large Support Bar Peg Ends (x1) (Bottom Groove)



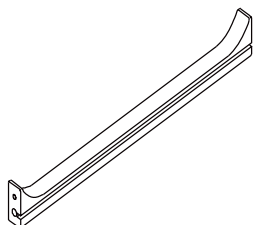
(O3) Small Front Support Bar (x1)



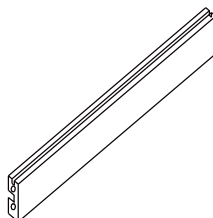
(O4) Support Bar Solid Ends (x1) (Side Groove)



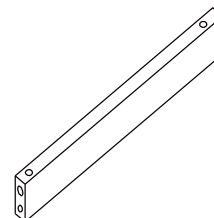
(O5) Support Bar Bolt Ends (x2)



(O6) Large Support Bar Solid Ends (x1) (Side Groove)

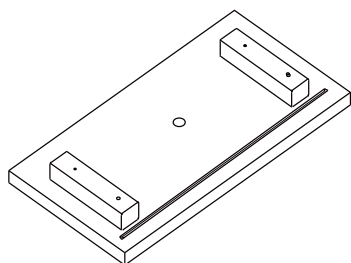


(O7) Large Support Bar Peg Ends (x1) (Top & Side Groove)

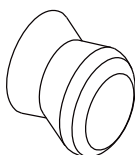


(O8) Support Bar Solid Ends (x1)

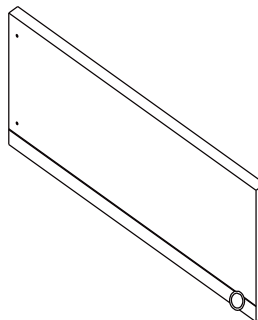
**PARTS LIST FOR *DRAWER* ASSEMBLY**



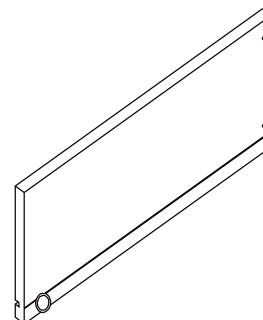
(P): Drawer Front (x3)



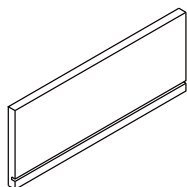
(Q) Knob (x3)



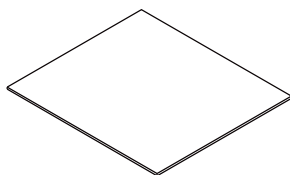
(R) Drawer Right(x3)



(S) Drawer Left(x3)



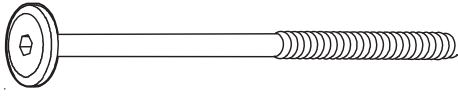
(T) Drawer Back (x3)



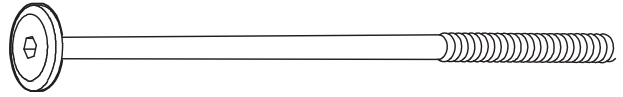
(U): Drawer Bottom Self (x3)

**Assembly Parts**

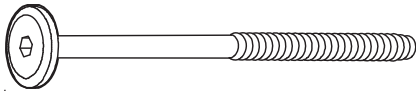
**HARDWARE LIST**



(HC) 63mm(2 1/2") Bolts (12mm Head) (x22)



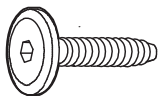
(HD) 85.5mm(3 1/2") Bolts (12mm Head) (x4)



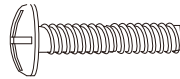
(HB) 50mm(2 ") Bolts (12mm Head) (x2)



(HE) Barrel Nuts (x26)



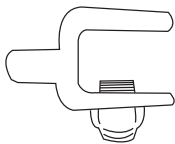
(HA) 19mm(3/4") Bolts (12mm Head) (x4)



(HF): 20mm Screws for knobs (x3)



(HG): 32mm(1 1/4") Phillips Screws (x24)



(HH) Shelf Support Brackets (x8)



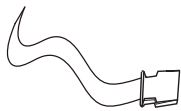
(HI) Dowel Pin (x13)



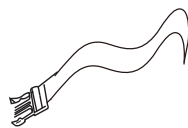
(HJ) 12mm Washer (x2)



(HK) 12mm Screws (x2)



HR

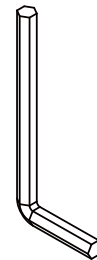


HL

(HL) Safety Belt(1sets, HL& HR)



(HM) Wall Strap Kit



L" Allen Wrench

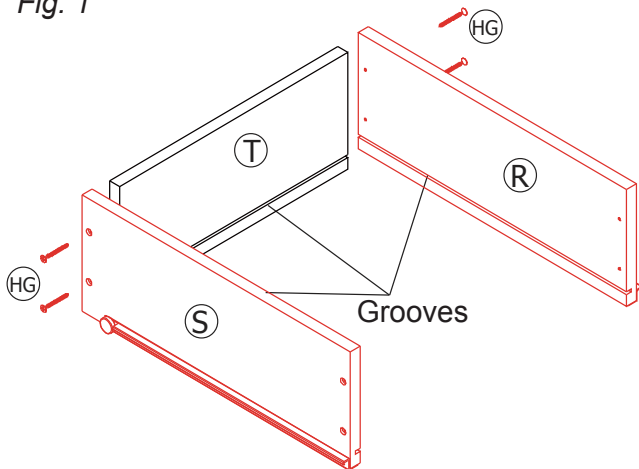


Tool required

**Important:** In order to properly assemble the crib, carry out the operations in order specified. Failure to assemble the crib in the manner recommended could make the crib hazardous.

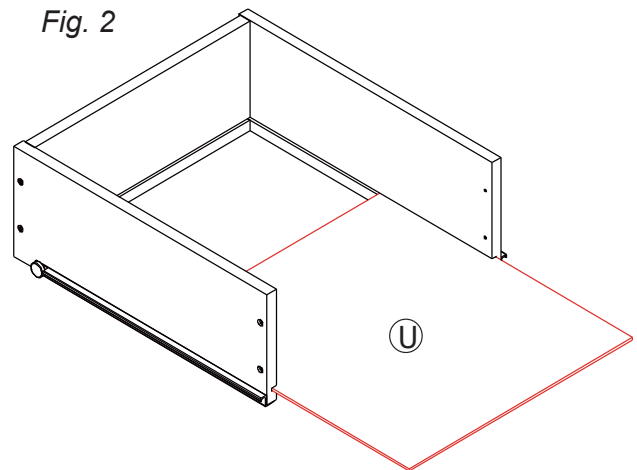
**Drawer Assembly**

Fig. 1



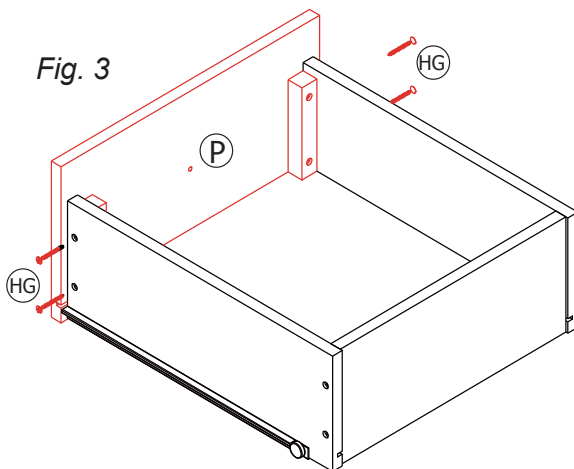
1. Working on a padded, flat surface, attach drawer sides(R&S) to Drawer Back (T) with Philips Head Screw (HG), see Fig 1

Fig. 2



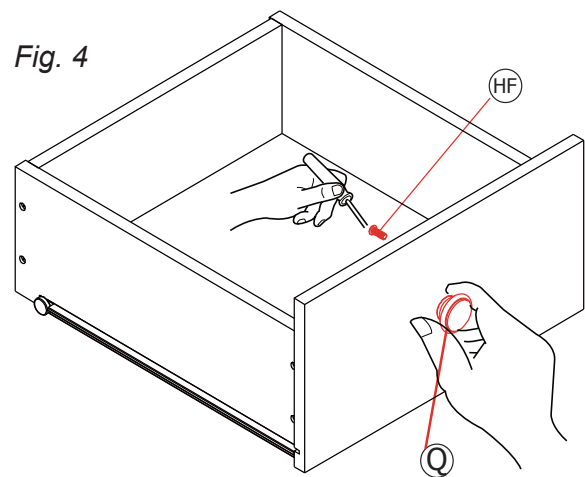
2. Slide Drawer Bottom(U) into drawer assembly, see Fig 2

Fig. 3



3. Secure both side of drawer front(P) to Drawer assembly with four(4) Philips Head Screw (HG), see Fig 3

Fig. 4

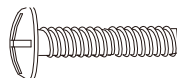


4. Using Drawer Knob Screw(HF), install one(1) Knob(Q) on Drawer, see Fig 4

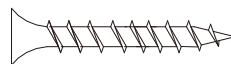
**Check All screws for tightness.  
Repeat for all Drawers, set drawers aside for later use**



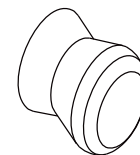
Tool required



(HF): 20mm Screws for knobs (x3)



(HG): 32mm(1 1/4") Phillips Screws (x24)



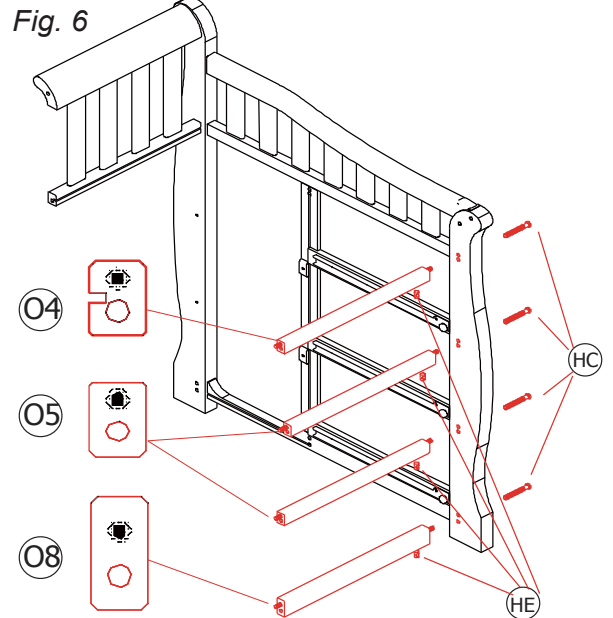
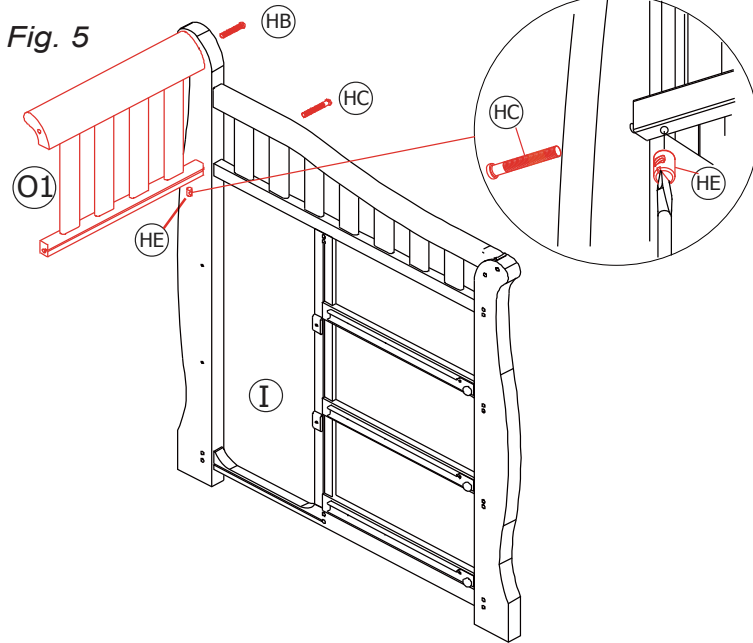
(Q) Knob (x3)

Important: In order to properly assemble the crib, carry out the operations in order specified. Failure to assemble the crib in the manner recommended could make the crib hazardous.

**Assembly**

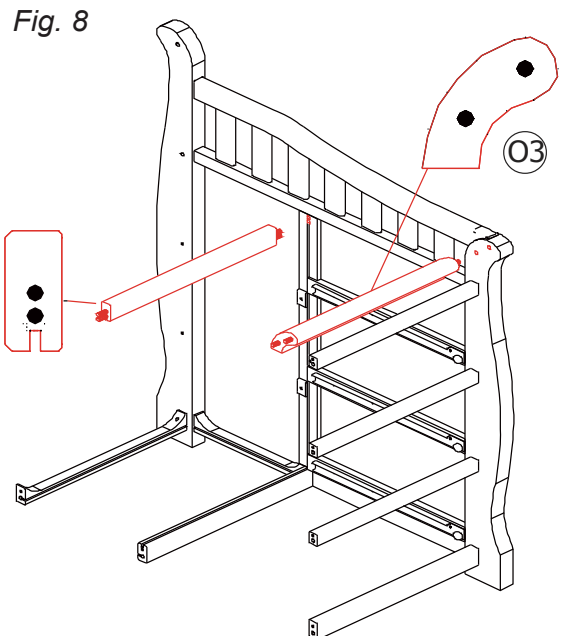
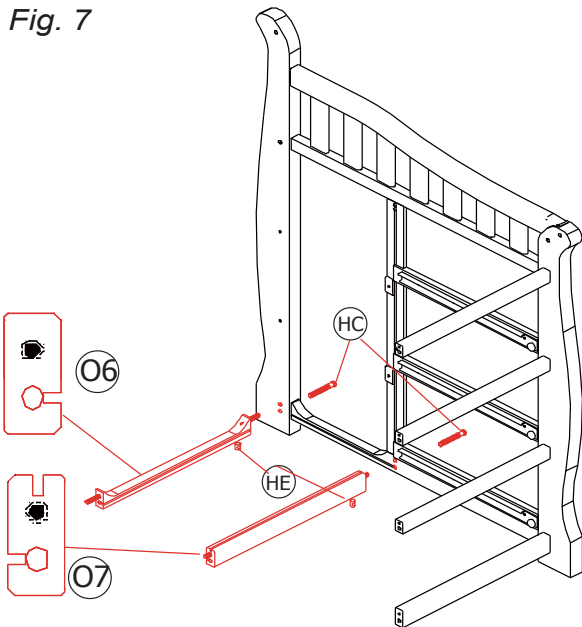
**CHANGER/DRESSER ASSEMBLY**

Parts Needed: refer to Page 3, "PARTS LIST FOR CHANGER/DRESSER ASSEMBLY"



1. Insert Decorative Support Bar (O1) into Right End (I) and secure with 1pc Bolt(HC), 1pc Bolt(HB) and 1pc Barrel Nut (HE), see Fig 5.

2. Insert Support Bar O4, O5 and O8 into Right End (I) and secure with 4pcs Bolt(HC) and 4pcs Barrel Nuts(HE), See Fig 6

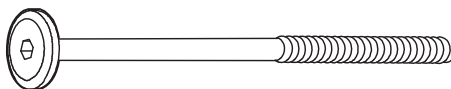


3. Insert Support Bar O6 and O7 into Right End (I) and secure with 2pcs Bolt(HC) and 2pcs Barrel Nuts(HE), See Fig 6.

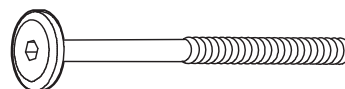
4. Put the Right Ends on ground, then Insert Support Bar O2 and O3 into Right End (I) , See Fig 8.



Tool required



(HC) 63mm(2 1/2") Bolts (12mm Head) (x7)



(HB) 50mm(2 ") Bolts (12mm Head) (x1)



(HE) Barrel Nuts (x7)

**Important:** In order to properly assemble the crib, carry out the operations in order specified. Failure to assemble the crib in the manner recommended could make the crib hazardous.

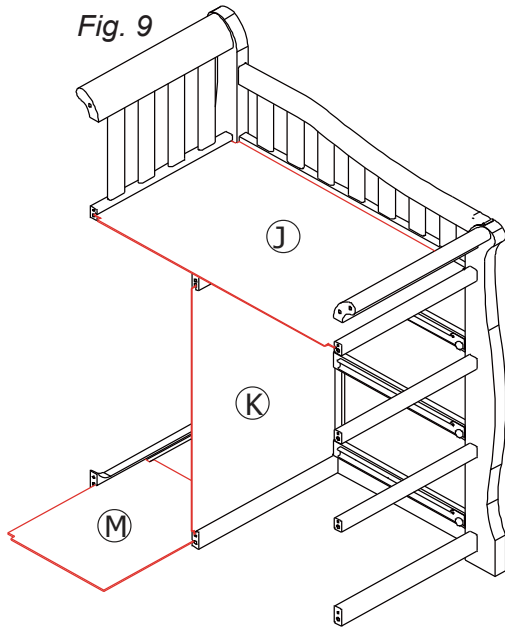


**Assembly**

**CHANGER/DRESSER ASSEMBLY**

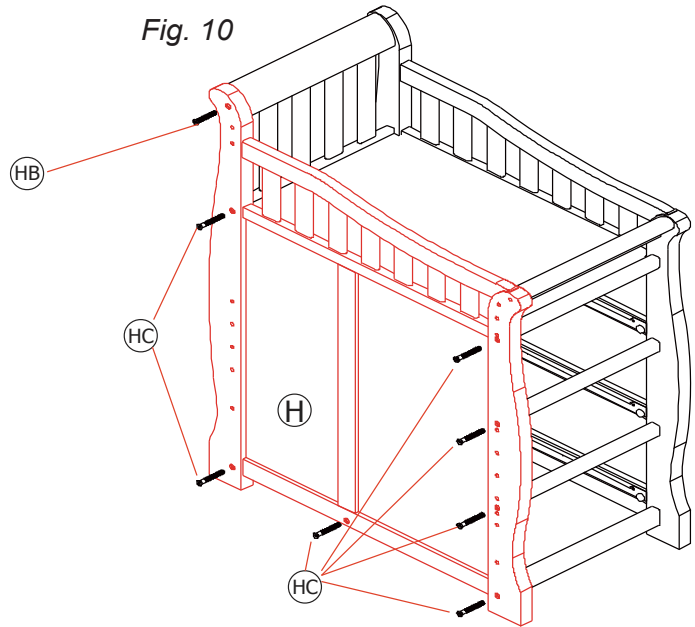
Parts Needed: refer to Page 3, "PARTS LIST FOR CHANGER/DRESSER ASSEMBLY"

Fig. 9



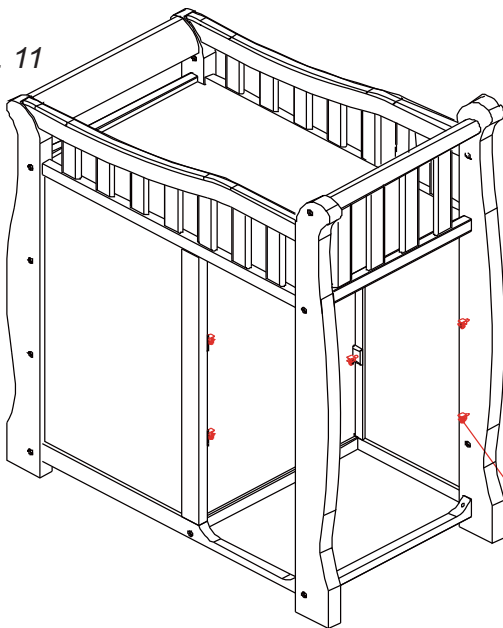
5. Insert Top Shelf(J) , Middle Shelf(K) and Bottom Shelf(M) into grooves as Fig 9.

Fig. 10



6. Attach Middle Panel(H) with each support bar and secure with 7pcs Bolt(HC), 1pc Bolt(HB) and 7pcs Barrel Nuts(HE), see Fig 10

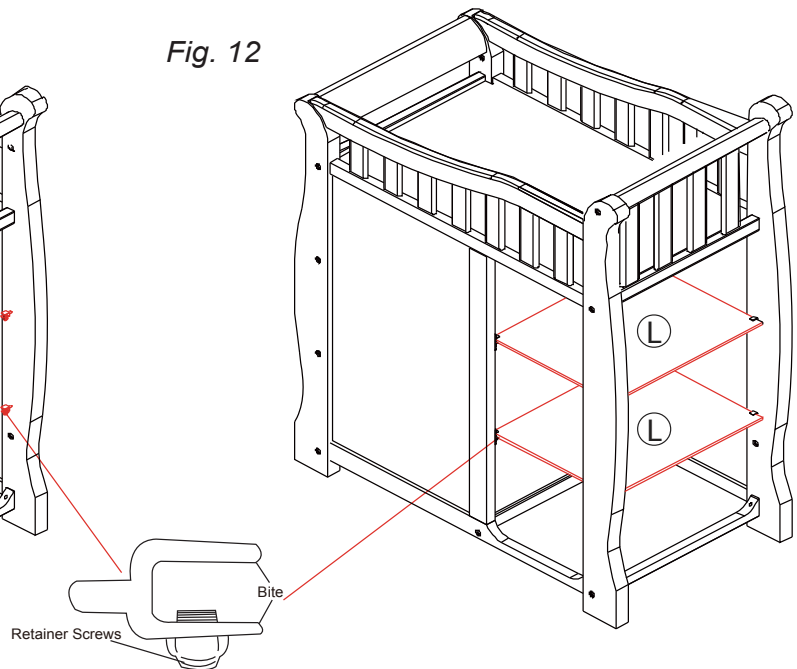
Fig. 11



7. Insert Shelf Support Brackets (HH) into holes in back of dresser, See Fig 11.

**NOTE: Retainer screws MUST be tightened to keep shelves from moving.**

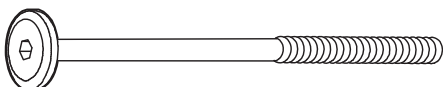
Fig. 12



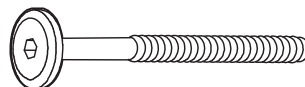
8. Slide Shelf(L) into "bite" of bracket. When in place, tighten retainer screws on brackets. see Fig 12



Tool required



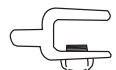
(HC) 63mm(2 1/2") Bolts (12mm Head) (x7)



(HB) 50mm(2 ") Bolts (12mm Head) (x1)



(HE) Barrel Nuts (x 7)

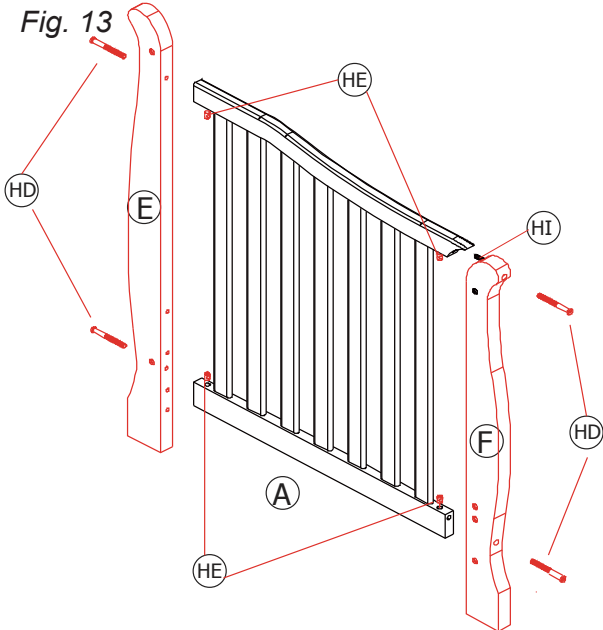


(HH) Shelf Support Brackets (x8)

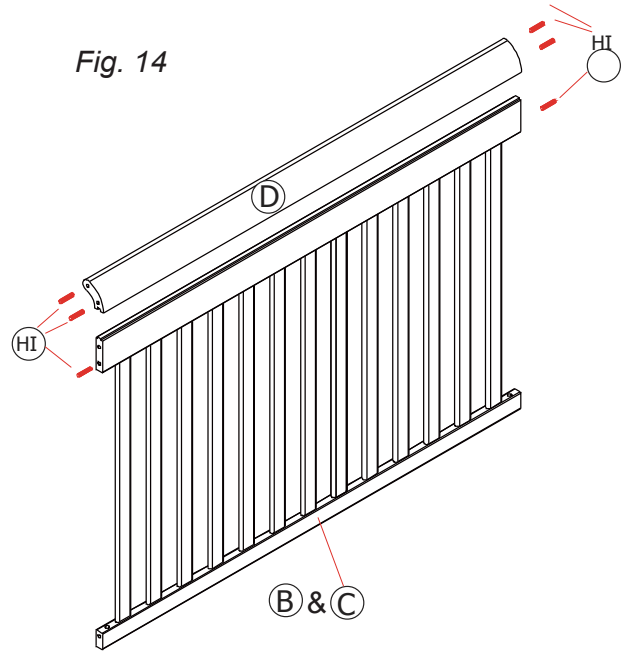
Important: In order to properly assemble the crib, carry out the operations in order specified. Failure to assemble the crib in the manner recommended could make the crib hazardous.

**Assembly**

**CRIB ASSEMBLY**

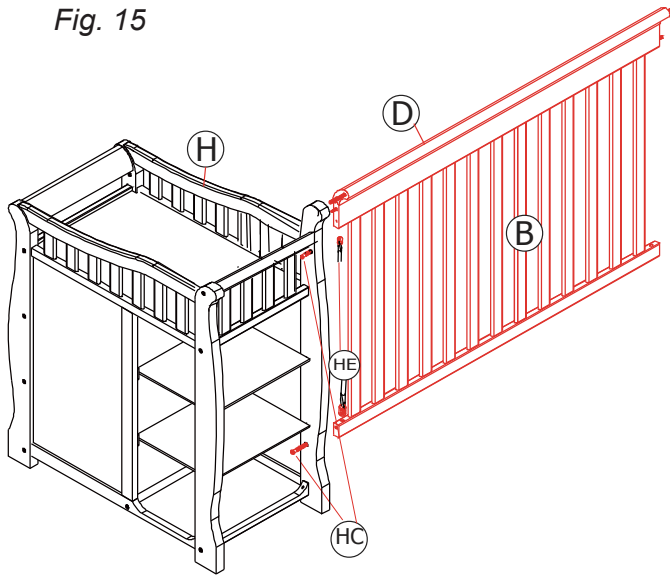


1. Slide 1pc Dowel Pin(HI) to front leg(F), and Using four (4) Bolts (HD) and Barrel Nuts (HE) assembly Front leg(F) and Rear Leg(E) to Left Side Rail(A), Make sure all mattress support holes are facing in, See Fig.13



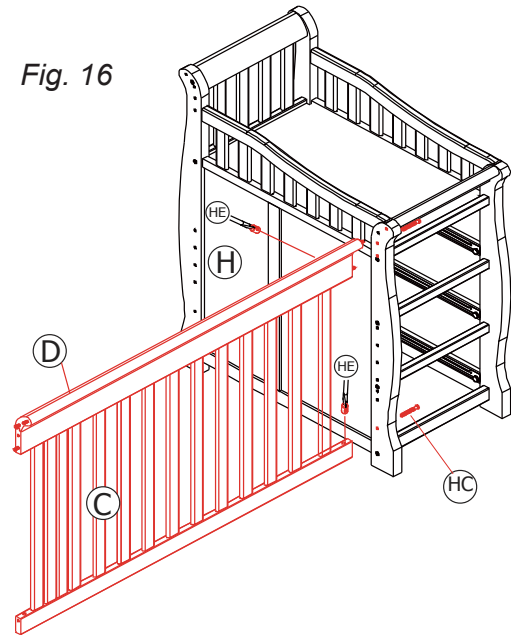
2. Slide 12pcs Dowel Pin (HI) into each end of Back Side Rail (B), Front side rail(C) and Front & Back Contoured Top(D), See Fig.14

Fig. 15

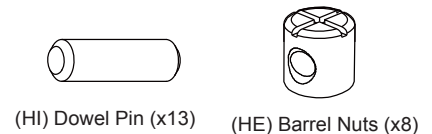
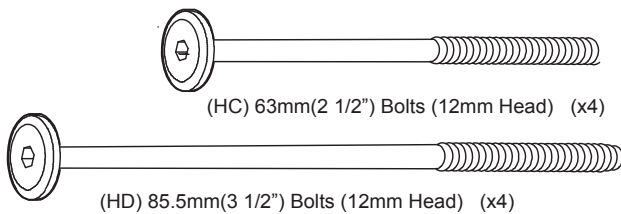


3. Put Back Contoured Top(D) to Back Side Rail(B),and then Attach Back Side Rail(B) to change table with 2pcs Bolts(HC) and 2pcs Barrel Nuts(HE), See Fig.15

Fig. 16



4. Put Front Contoured Top(D) to Front Side Rail(C),and then Attach Front Side Rail(C) to change table with 2pcs Bolts(HC) and 2pcs Barrel Nuts(HE), See Fig.16



**Important:** In order to properly assemble the crib, carry out the operations in order specified. Failure to assemble the crib in the manner recommended could make the crib hazardous.

**Crib Assembly**

**CRIB ASSEMBLY**

Fig. 17

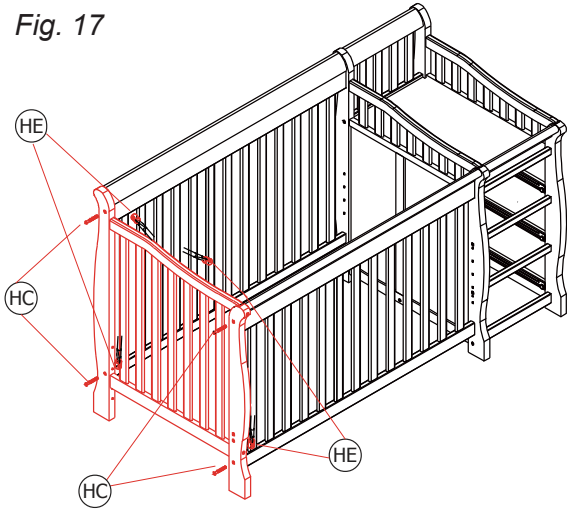
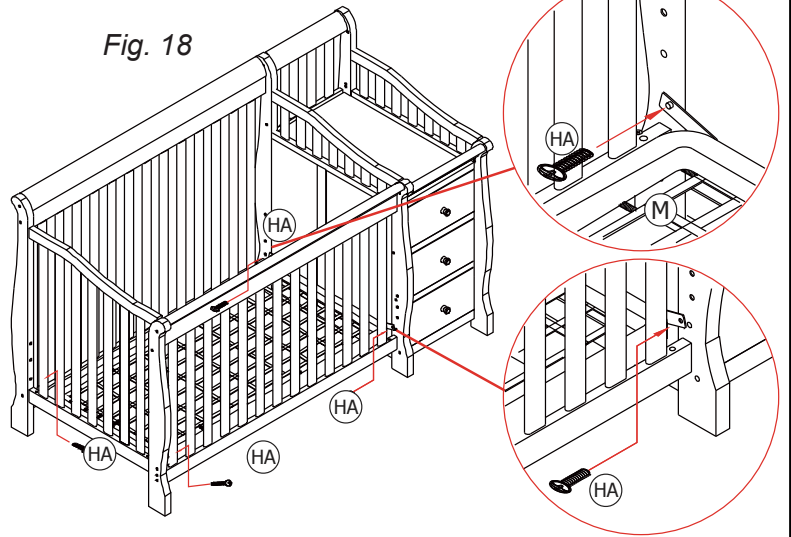


Fig. 18



3. Attach the Right side panel to Back Side Rail(B) and Front Side Rail(C) with with 4pcs Bolts(HC) and 4pcs Barrel Nuts(HE), See Fig.17

4. Attach completed Mattress support(M) to Crib using four(4) Bolts(HA) , See Fig 18

**ONCE COMPLETED, INSERT THREE(3) DRAWERS INTO CHANGING TABLE AND PUT THE CHANGING PAD TO THE TOP OF CHANGER**

**CHANGING PAD ASSEMBLY**

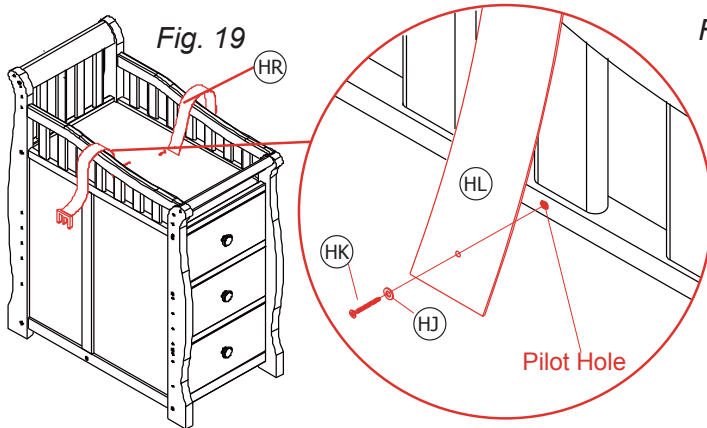
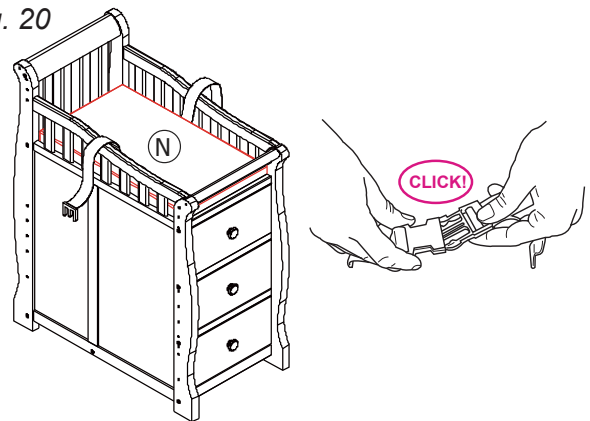


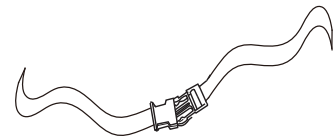
Fig. 20



1. Screws safety belt (HL) to dresser top(Pilot Hole location) by 12mm Screws(HK) and 12mm Washer(HJ) as per Fig. 19
2. Put the pad(N) to the dresser completely, Make sure pad is facing up and warning are always visible. Make sure that safety belt is fastened around child and adjusted to safety belt is snug around child's mid-section. Make sure buckle is securely latched. See Fig.20.

**DISASSEMBLING CRIB FOR STORAGE**

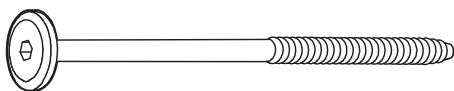
To disassemble crib for storage follow assembly steps in reverse. Store all parts and hardware together in a safe place. Store the instruction manual in the supplied PE bags attached to the mattress support for future reference for assembly.



(HL/HR) Safety Belt(1sets, L & R)



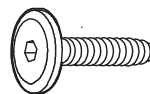
Tool required



(HC) 63mm(2 1/2") Bolts (12mm Head) (x4)



(HE) Barrel Nuts (x4)



(HA) 19mm(3/4") Bolts (12mm Head) (x4)



(HJ) 12mm Washer (x2)



(HK) 12mm Screws (x2)

Important: In order to properly assemble the crib, carry out the operations in order specified. Failure to assemble the crib in the manner recommended could make the crib hazardous.

## CONVERTING TO A FULL SIZE HEADBOARD

**IMPORTANT: You MUST use supplied Wall Strap Kit with stand-alone Changer/Dresser. See instructions provided with Wall Strap Kit.**

1. Remove the Drawers and Mattress support from Changer and Crib.
2. Remove Changer from the Crib, as Fig. 21 & Fig 22.
3. Remove Left Side Rail from Rear changer leg and Front changer leg, See Fig. 22 & 23.
4. Then add Rear Dresser leg(V) and Front Foot Board leg(W) to Headboard and Footboard using Bolts(HC) and Barrel Nuts(HE). See Fig. 24.
5. For Adult Bed assembly, only **#215 Adult Bed Rail(Sold separately)** is acceptable for this item. and please use the instruction sheet from #215 Adult bed rail for Adult bed assembly.

**RE-CHECK ALL FASTENERS TO BE SURE THEY ARE TIGHT. IT IS GOOD TO ALSO DOUBLE CHECK THESE NOT USE IN THIS CONVERSION.**

Fig. 21

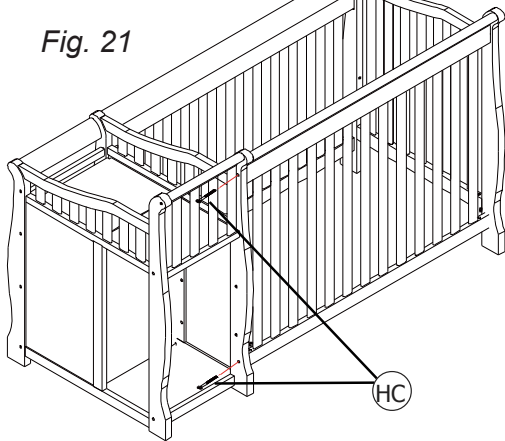


Fig. 22

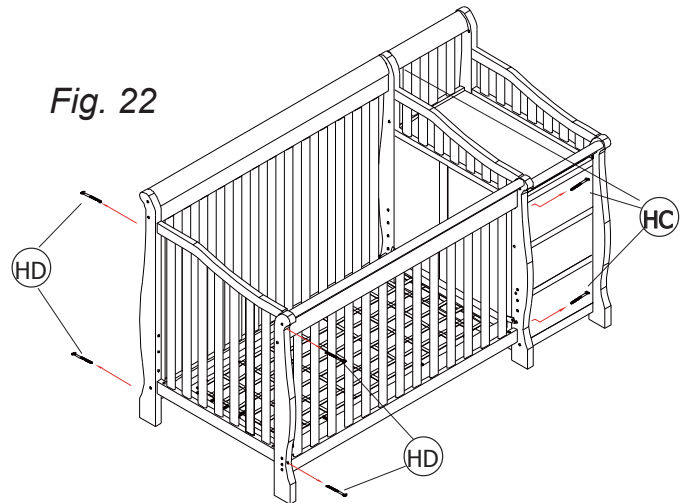
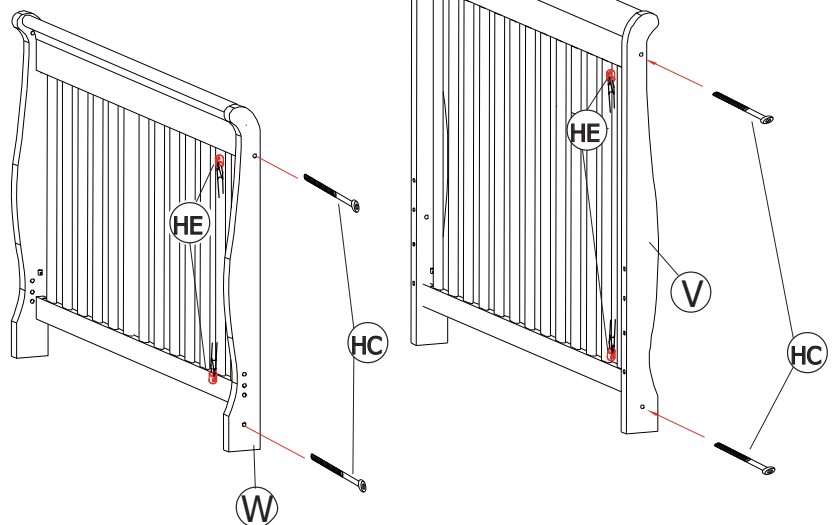
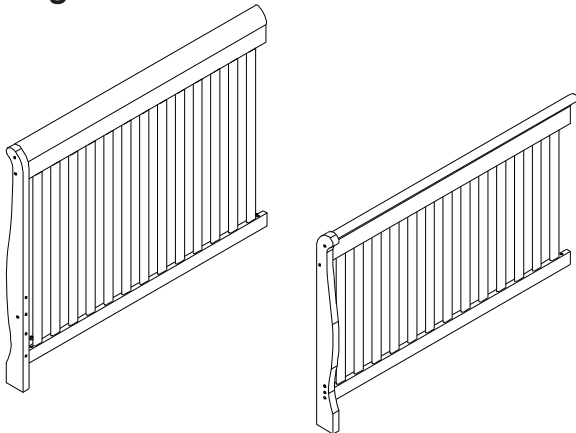
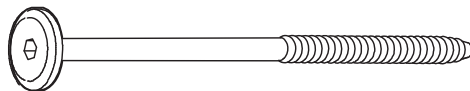


Fig. 24

Fig. 23



Tool required



(HC) 63mm(2 1/2'') Bolts (12mm Head) (x4)



(HE) Barrel Nuts (x4)

**Important:** In order to properly assemble the crib, carry out the operations in order specified. Failure to assemble the crib in the manner recommended could make the crib hazardous.







