

# SLV-SE10/SE20/SE25/SE30/SE40/SE45/SX10/SX25/SX40 RMT-V256/V256A/V257/V257A/V257B/V257C/V259

## SERVICE MANUAL



Photo: SLV-SE45  
RMT-V259

**VHS**

S MECHANISM

*AEP Model*  
SLV-SE10AE1/SE10AE2

*UK Model*  
SLV-SE20UX/SE30UX/SE45UX

*French Model*  
SLV-SE25B/SE40B

*German Model*  
SLV-SE20VP1/SE20VP2/SE25VC  
/SE30VC1/SE30VC2/SE40VC1  
/SE40VC2/SE45VC/SX25VC

*Spanish Model*  
SLV-SE25CP/SE30CP/SE40CP/SE45CP

*East European Model*  
*Greek Model*

SLV-SE10EE/SE10EG/SE30EE/SE40EE/  
SE40EG/SX10EG/SX40EG

*Irish Model*  
SLV-SE20EX

Refer to the SERVICE MANUAL of VHS  
MECHANICAL ADJUSTMENT VI for  
MECHANICAL ADJUSTMENTS. (9-921-647-11)

### SPECIFICATIONS

#### System

Channel coverage(10EE/EG/30EE/40EE/EG/  
X10/X40 MODEL)  
PAL(B,G,D,K):  
VHF E2 to E12,R1 to R12  
UHF E21 to E69,R21 to R69  
CATV S1 to S41,S01 to S05

PAL(B/G):(10AE1/AE2/40B/25B/45CP/  
30CP/VC1/VC2/20VP1/VP2/25CP/VC/40CP/  
VC1/VC2/45VC/X25 MODEL)  
VHF E2 to E12  
VHF Italian channels A to H  
UHF E21 to E69  
CATV S01 to S05,S1 to S20  
HYPER S21 to S41

SECAM(L):(SE25B/40B MODEL)  
VHF F2 to F10  
UHF F21 to F69  
CATV B to Q  
HYPER S21 to S41  
PAL(B/G):  
VHF E2 to E12  
VHF Italian channels A to H  
UHF E21 to E69  
CATV S01 to S05,S1 to S20  
HYPER S21 to S41

PAL (I)(20EX/UX MODEL)  
VHFIA to IJ,SA10 to SA13(20EX only)  
UHF B21 to B69  
CATV S01 to S05,S1 to S20(20EX only)  
HYPER S21 to S41

PAL (J)(SE30UX/45UX MODEL)  
UHF B21 to B69

RF output signal  
UHF channels 21 to 69  
Aerial out  
75-ohm asymmetrical aerial socket

Inputs and outputs  
LINE-1  
(TV)  
21-pin  
Video input: pin 20  
Audio input: pins 2 and 6  
Video output: pin 19  
Audio output: pins 1 and 3

LINE-2 IN(10EE/30CP/VC1/VC2/EE/UX/  
45CP/UX MODEL)  
VIDEO IN, phono jack (1)  
Input signal: 1 Vp-p,  
75 ohms, unbalanced, sync negative  
AUDIO IN,

phono jack (1)  
Input level: 327 mVrms  
Input impedance : more than 47 kilohms

LINE-2 IN(SE25VC/40VC1 MODEL)  
21-pin  
Video input: pin 20  
Audio input: pins 2 and 6

LINE-2 IN  
(25B/CP/VC/UX/40B/CP/VC1/VC2/45VC/  
UX/X25 MODEL)  
LINE-3 IN  
(30CP/VC1/UX/VC2/45CP/UX)  
21-pin  
Video input: pin 20  
Audio input: pins 2 and 6

LINE OUT(10EE/30EE/40EE)  
AUDIO OUT,Phono jack(2)  
Rated output level:327mVrms  
Load impedance:47 kilohms  
Output impedance:less than 10 kilohms  
VIDEO OUT,Phono jack(1)  
Rated output level:327mVrms  
Load impedance:47 kilohms  
Output impedance:less than 10 kilohms

#### General

Power requirements  
220 - 240 V AC, 50 Hz  
Power consumption  
22 W  
Operating temperature  
5°C to 40°C  
Storage temperature  
-20°C to 60°C  
Dimensions  
Approx. 355 x 96 x 285 mm(w/h/d)  
including projecting parts and controls  
Mass  
Approx. 3.8 kg  
(Approx. 10 lb 2 oz)

#### Supplied accessories

Remote commander (1)  
R6 (size AA) batteries (2)  
Aerial cable (1)  
AC Plug adaptor(1)(20EX/UX)

Design and specifications are subject to change without notice.

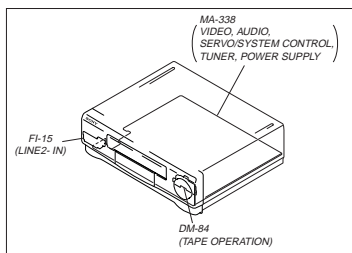
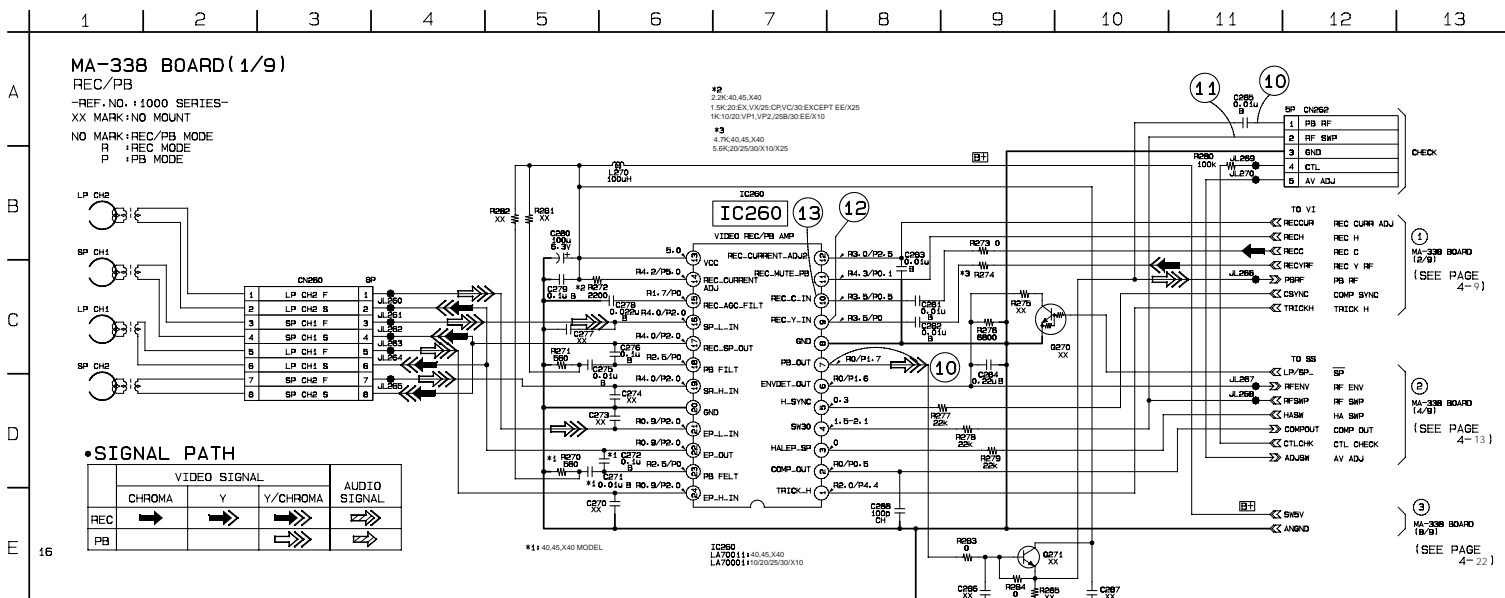
## VIDEO CASSETTE RECORDER



# SONY®

**MA-338 (1/9) (REC/PB) SCHEMATIC DIAGRAM**  
 — Ref. No. MA-338 Board: L000 Series —

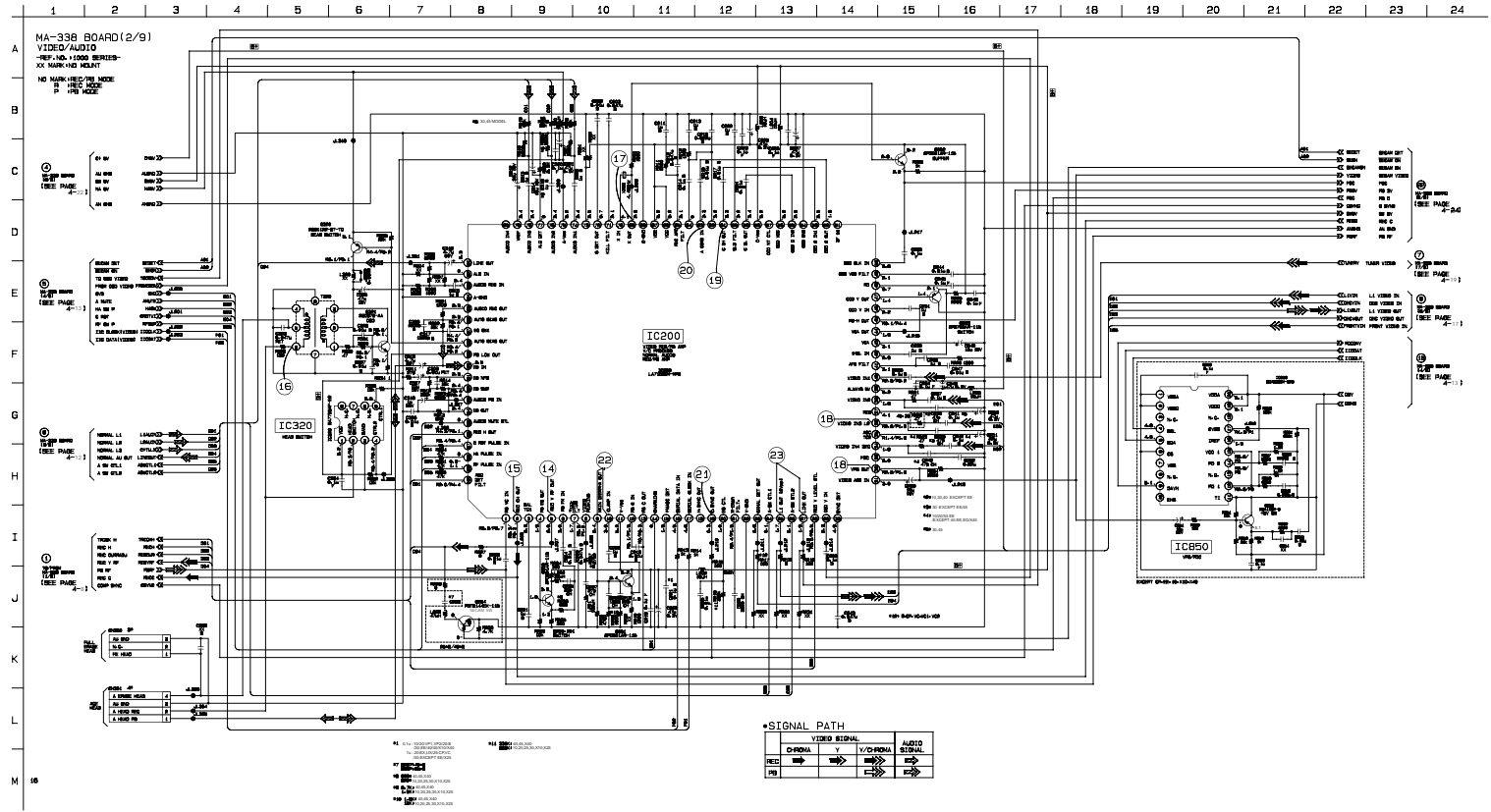
For schematic diagram  
 • Refer to page 4-5 for printed wiring board.  
 • Refer to page 4-2 for waveforms.



SLV-SE10/SE20/SE25/SE30/SE40/SE45/SX10/SX25/SX40

MA-338 (2/9) (VIDEO/AUDIO) SCHEMATIC DIAGRAM  
 — Ref. No. MA-338 Board:1,000 Series —

For schematic diagram  
 • Refer to page 4-5 for printed wiring board.  
 • Refer to page 4-2 for waveforms.

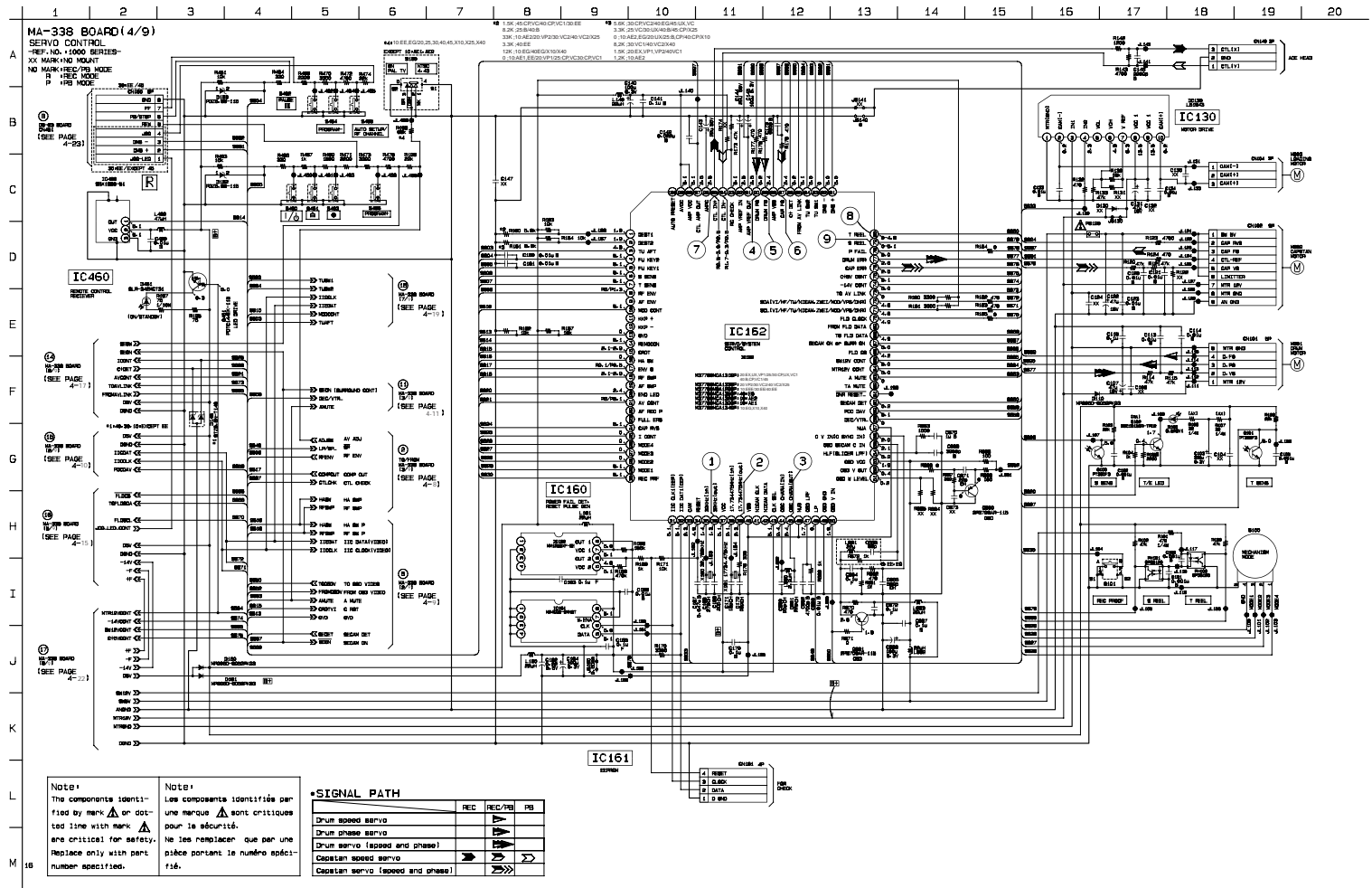




SLV-SE10/SE20/SE25/SE30/SE40/SE45/SX10/SX25/SX40

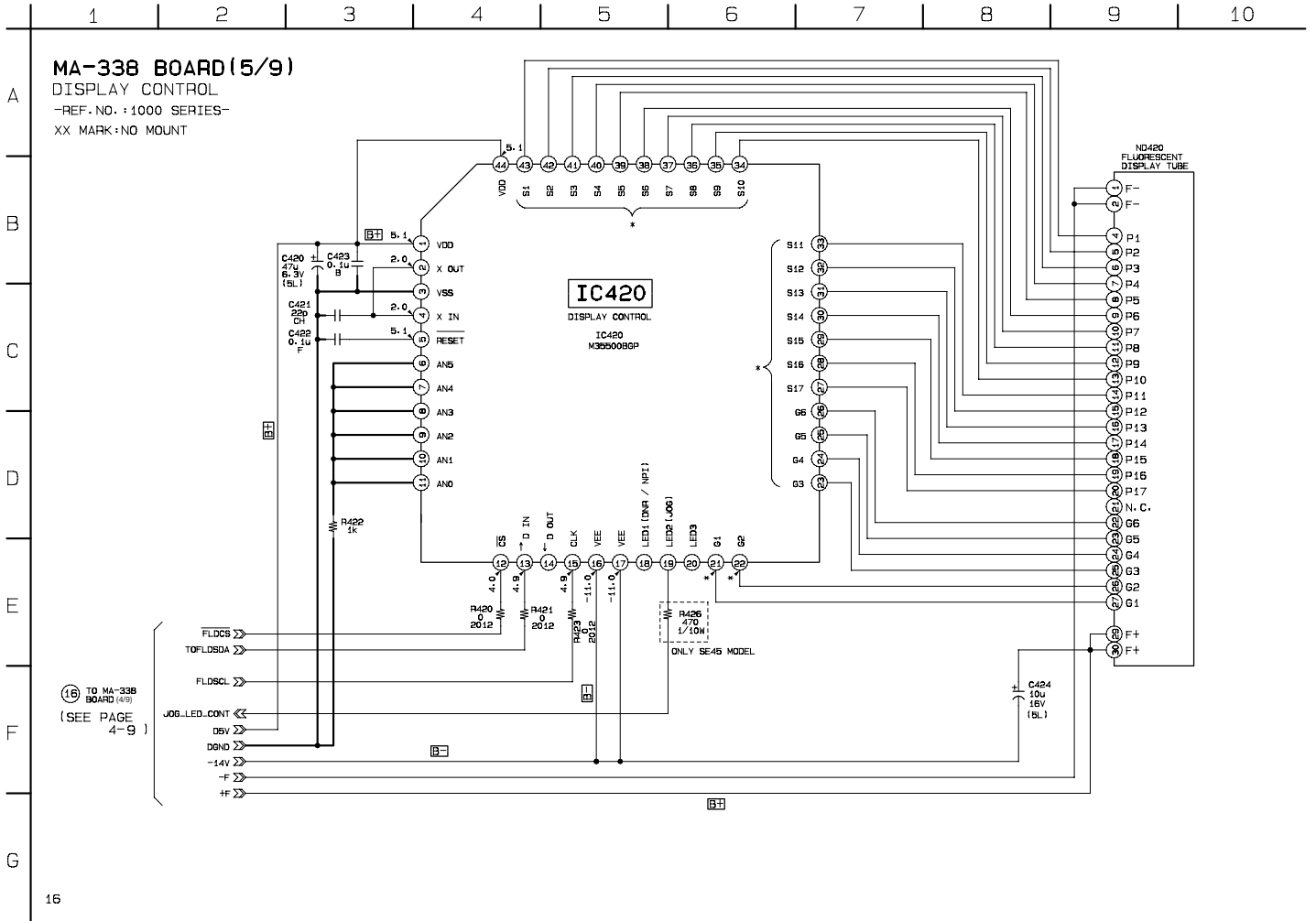
MA-338 (4/9) (SERVO/SYSTEM CONTROL) SCHEMATIC DIAGRAM  
 — Ref. No. MA-338 Board:1,000 Series —

For schematic diagram  
 • Refer to page 4-5 for printed wiring board.  
 • Refer to page 4-2 for waveforms.



**MA-338 (5/9) (DISPLAY) SCHEMATIC DIAGRAM**  
 — Ref. No. MA-338 Board:1,000 Series —

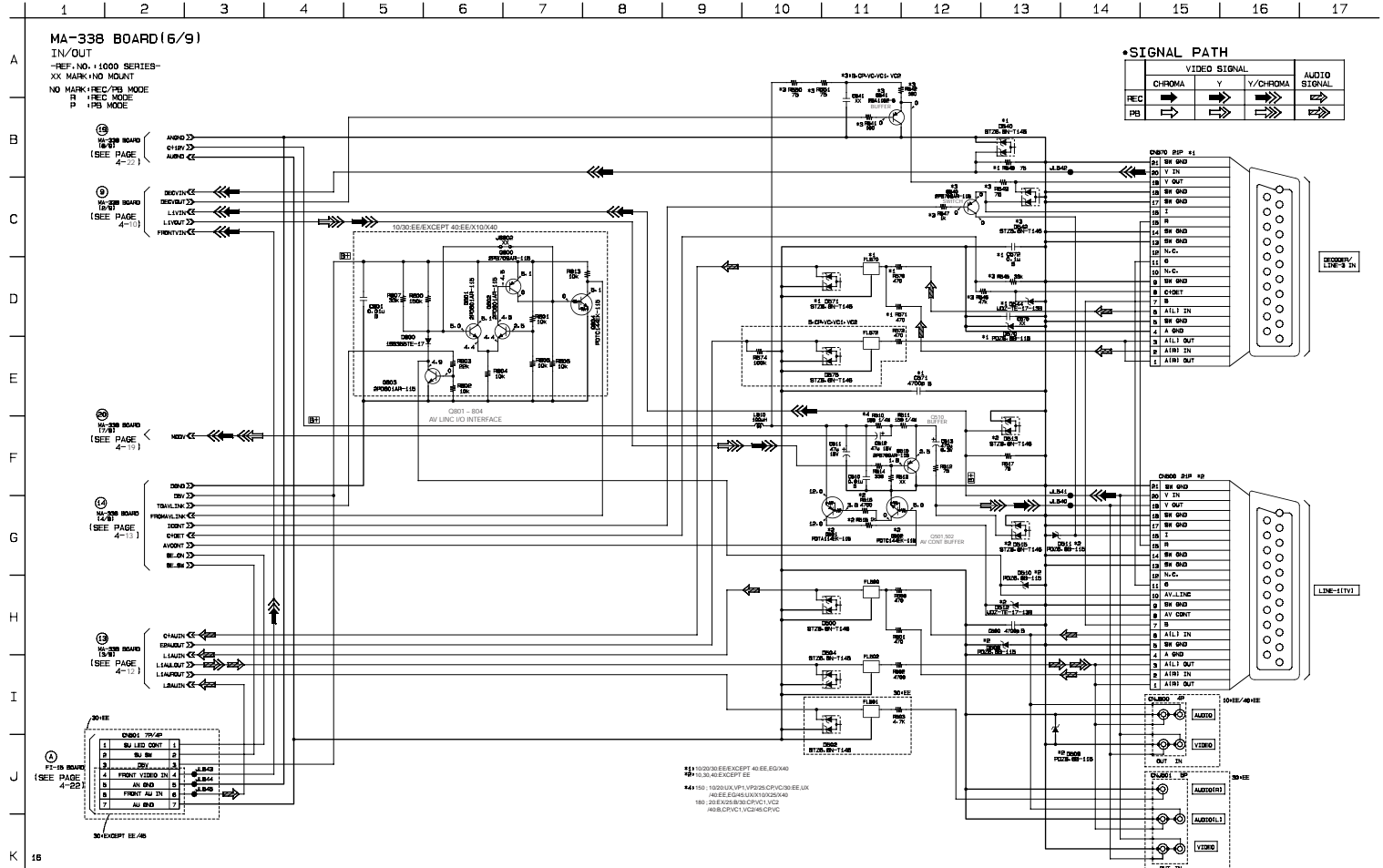
For schematic diagram  
 • Refer to page 4-5 for printed wiring board.  
 • Refer to page 4-2 for waveforms.



SLV-SE10/SE20/SE25/SE30/SE40/SE45/SX10/SX25/SX40

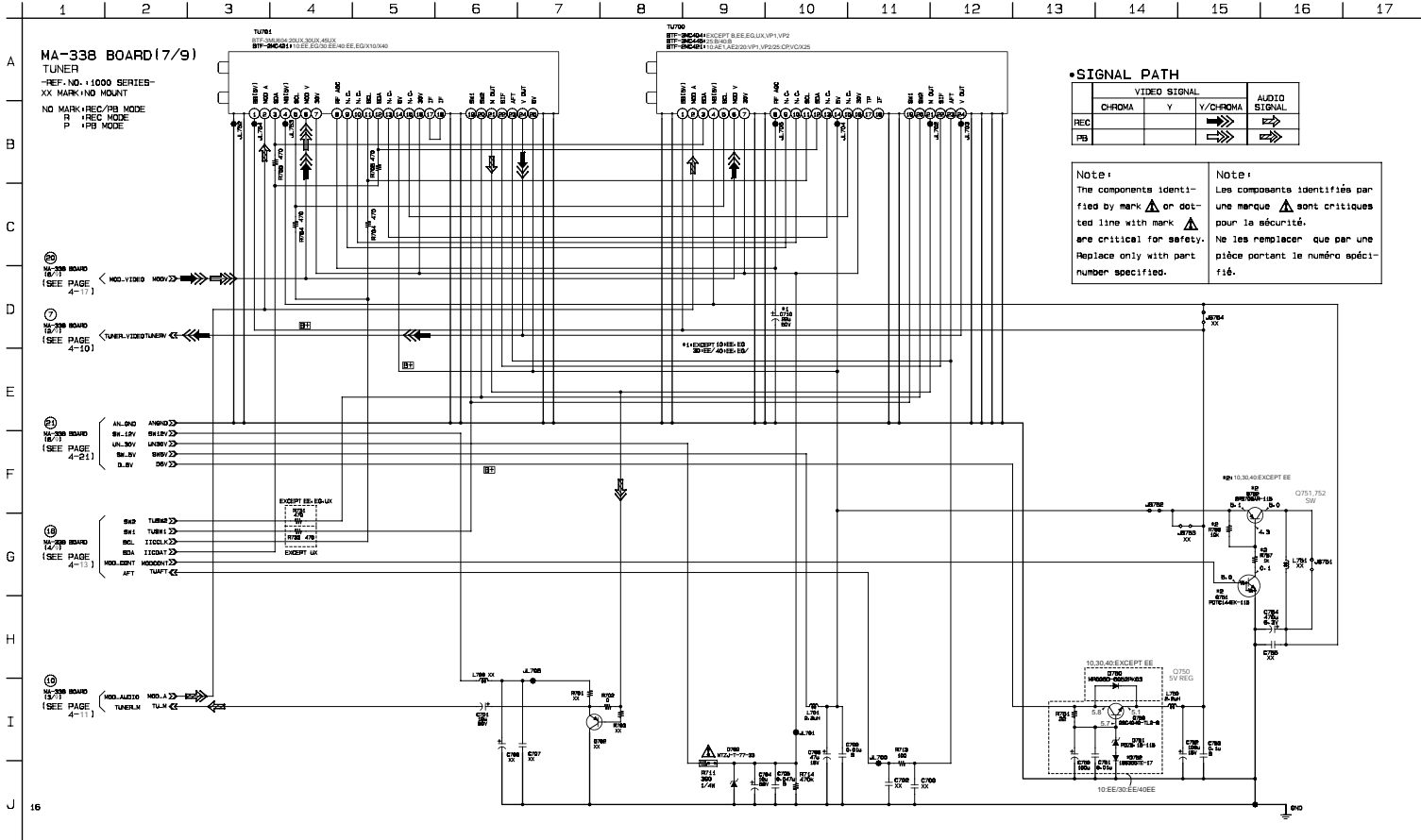
MA-338 (6/9) (INPUT/OUTPUT) SCHEMATIC DIAGRAM  
 — Ref. No. MA-338 Board:1,000 Series —

For schematic diagram  
 • Refer to page 4-5 for printed wiring board.



**MA-338 (7/9) (TUNER) SCHEMATIC DIAGRAM**  
 — Ref. No. MA-338 Board: 1.000 Series —

For schematic diagram  
 • Refer to page 4-5 for printed wiring board.



**• SIGNAL PATH**

|     | VIDEO SIGNAL |   | AUDIO SIGNAL |
|-----|--------------|---|--------------|
|     | CHROMA       | Y |              |
| REC |              | → | →            |
| PB  |              | → | →            |

**Note:**  
 The components identified by mark **▲** or dotted line with mark **▲** are critical for safety. Replace only with part number specified.

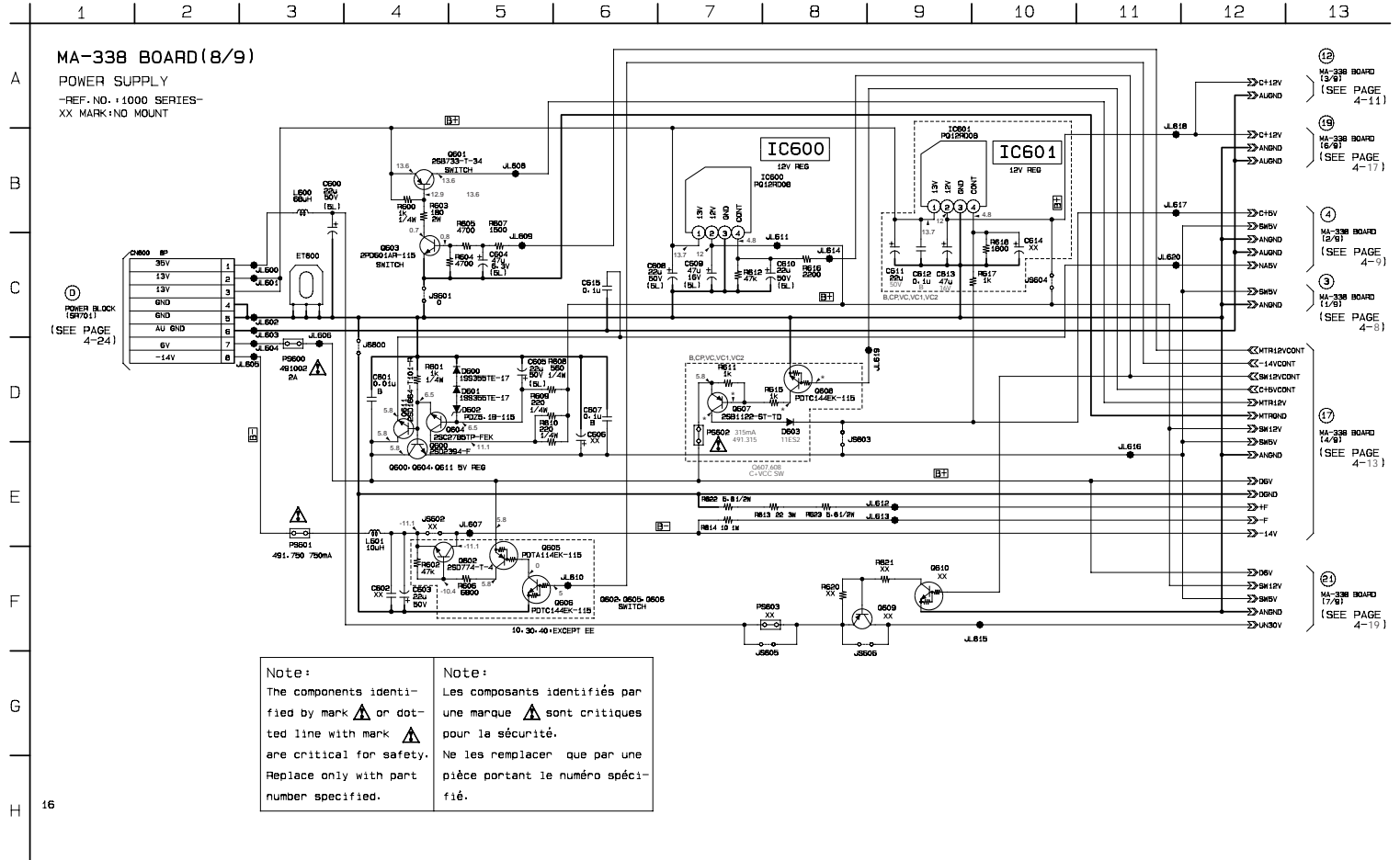
**Note:**  
 Les composants identifiés par une marque **▲** sont critiques pour la sécurité. Ne les remplacer que par une pièce portant le numéro spécifié.



SLV-SE10/SE20/SE25/SE30/SE40/SE45/SX10/SX25/SX40

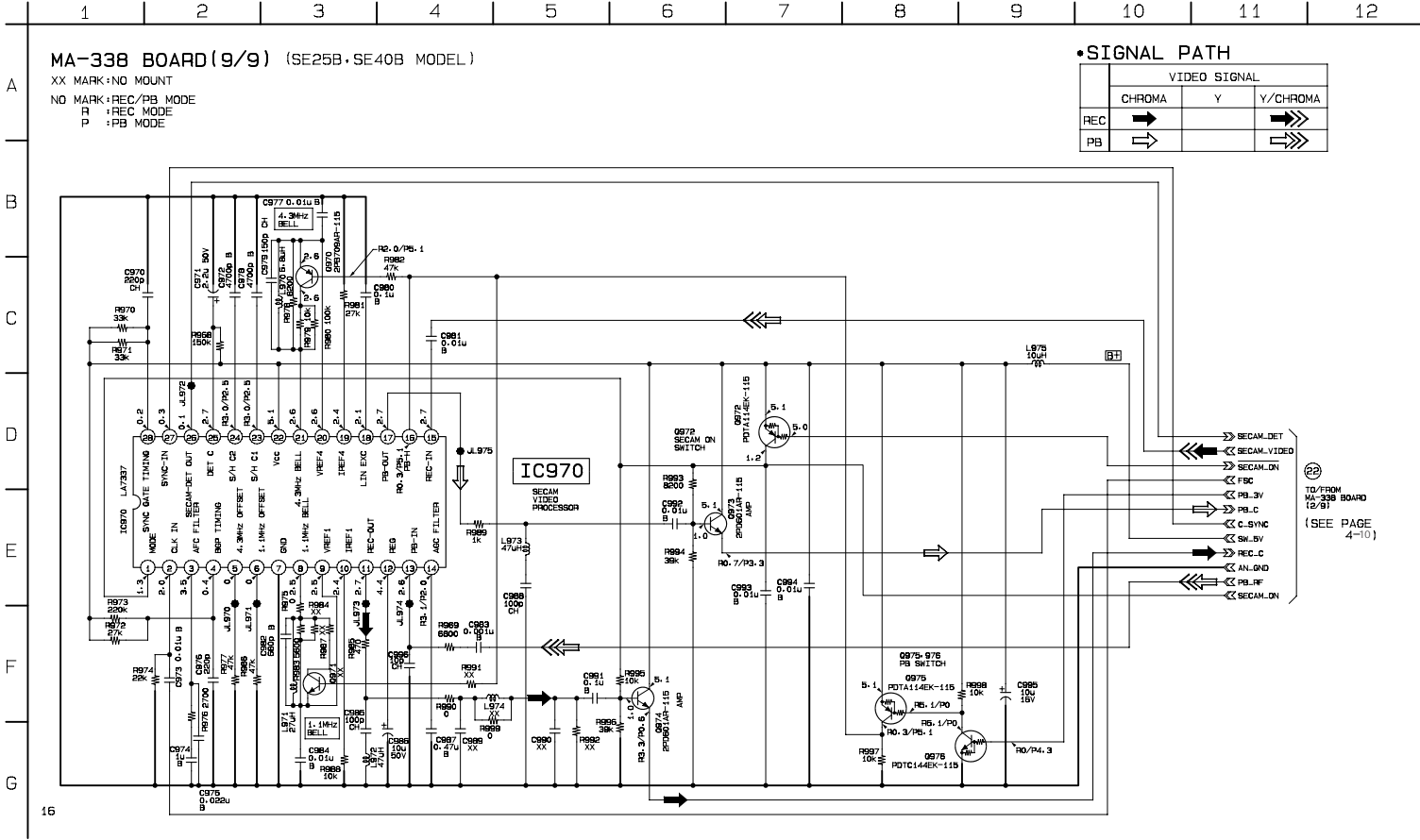
MA-338 (8/9) (POWER SUPPLY) SCHEMATIC DIAGRAM  
 - Ref. No. MA-338 Board:1,000 Series -

For schematic diagram  
 • Refer to page 4-5 for printed wiring board.



MA-338 (9/9) (SECAM VIDEO SIGNAL PROCESSOR) SCHEMATIC DIAGRAM  
 — Ref. No. MA-338 Board: L1000 Series —

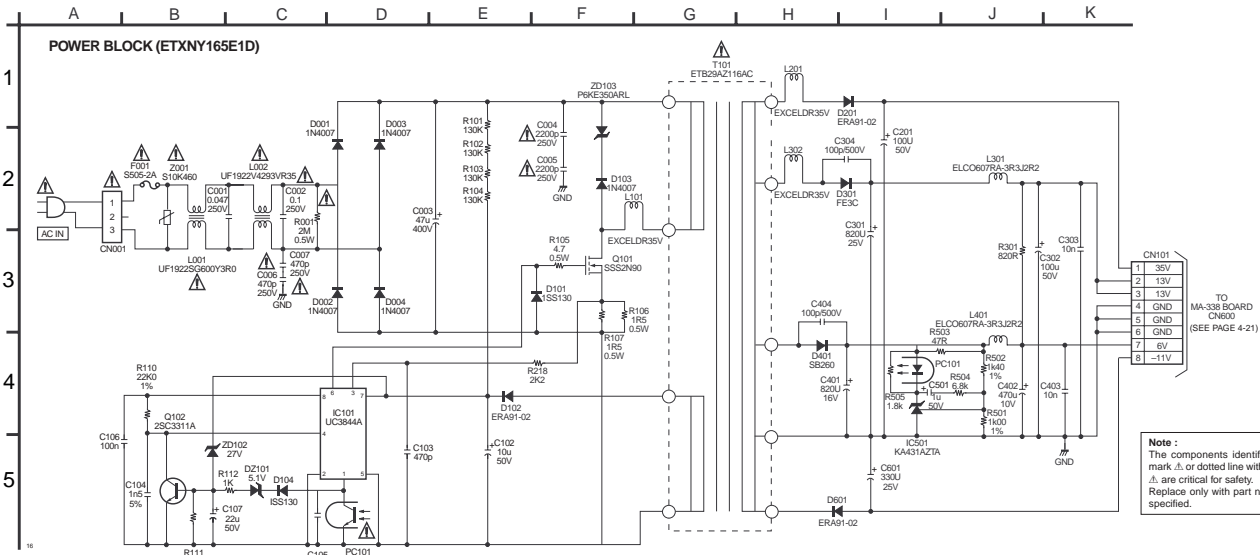
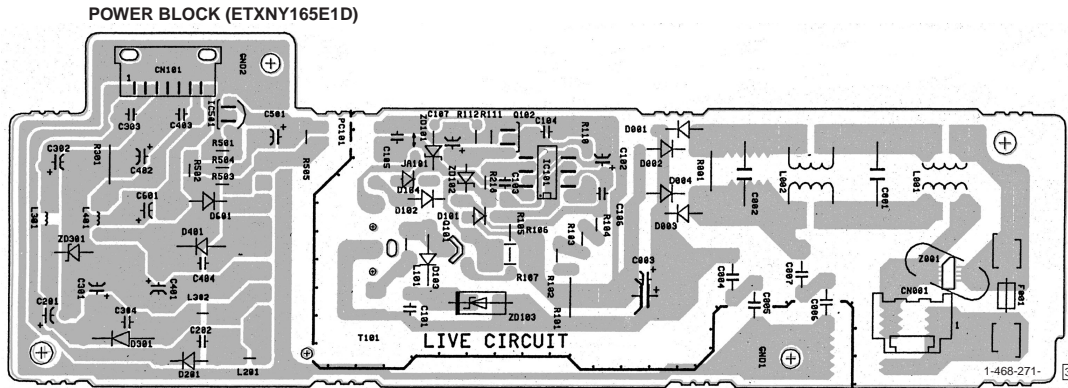
For schematic diagram  
 • Refer to page 4-5 for printed wiring board.





**POWER BLOCK ETXNY165E1D (SWITCHING REGULATOR) PRINTED WIRING BOARD AND SCHEMATIC DIAGRAM**  
 — Ref. No. SR701 Board:9,000 Series —

There are few cases that the part printed on this diagram isn't mounted in this model.



**Note :**  
 The components identified by mark Δ, or dotted line with mark Δ, are critical for safety. Replace only with part number specified.

**Note :**  
 Les composants identifiés par une marque Δ, sont critiques pour la sécurité. Ne les remplacer que par une pièce portant le numéro spécifié.