



# *Snow Devil*

SNOW THROWERS


## **OPERATOR'S MANUAL**

### **2-Stage 24" Snow Thrower**

Item #57030



#### **IMPORTANT:**

 Your new machine has been engineered and manufactured to Snow Devil's™ high standards for dependability, ease of operation, and operator safety. Properly cared for, it will give you years of rugged, trouble-free performance.

Pay close attention to the Rules for Safe Operation, Warnings, and Cautions. If you use your machine properly and only for what it is intended, you will enjoy years of safe, reliable service.



**Product Questions or  
Technical Support, Please Contact Us.**

**1-800-232-1195, M-F, 8-5 (CST)**

## SNOW THROWER IDENTIFICATION

For information and questions please contact customer service at 1-800-232-1195. Please fill out the information below and have it accessible prior to calling. Refer to the name plate on your Snow Thrower for the Serial Number.

DATE OF PURCHASE: \_\_\_\_\_

PURCHASED FROM: \_\_\_\_\_

ITEM #: \_\_\_\_\_

SERIAL NUMBER: \_\_\_\_\_

Serial Number \_\_\_\_\_





**TABLE OF CONTENTS**

Specifications . . . . . 3

Important Safety Instructions . . . . . 4-5

    Symbols . . . . . 5

Snow Thrower Components . . . . . 6

Assembly Instructions . . . . . 7-8

Operation . . . . . 9-13

    Snow Thrower Preparation. . . . . 9

    Check Tire Inflation. . . . . 10

    Skid Shoe Adjustment . . . . . 10

    Using Your Snow Thrower . . . . . 11

    Drive and Auger Controls. . . . . 11

    Chute Outlet Direction Adjustment . . . . . 12

    Snow Discharge Direction . . . . . 12

    Stopping Your Snow Thrower . . . . . 13

Maintenance . . . . . 13-16

    Snow Thrower Use and Care . . . . . 14

    Snow Thrower Cleaning . . . . . 15

    Auger or Impeller Jams. . . . . 15

    Drive & Auger Cables Adjustment . . . . . 16

    Shear Pins Replacement. . . . . 16

Exploded View . . . . . 17

Parts List . . . . . 18-21

Warranty . . . . . 22

**SPECIFICATIONS**

**208CC 120 VAC Electric Start 2-Stage 24" Snow Thrower**

Item #: 57030

Engine: 208CC, 4-Stroke, Single Cylinder

Fuel Tank Capacity: 0.7-Gallons

Start Type: 120VAC Electric Start with Recoil Starter Backup

Speed: 4 Forward and 2 Reverse Speeds

Clearing Width: 24"

Clearing Height: 21"

Chute: 180° Adjustable

Tire Size: 12.5"

Weight: 225 lbs.



## IMPORTANT SAFETY INSTRUCTIONS



**WARNING:** Engine exhaust, some of its constituents, and certain vehicle components contain or emit chemicals known to cause cancer, birth defects or other reproductive harm.

1. Read, understand and follow all instructions on your Snow Thrower and in this Operator's Manual before attempting to assemble and operate your machine. Keep this manual in a safe place for future and regular reference. If replacement parts are needed, refer to the manual.
2. Be familiar with all controls and their proper operation. Know how to stop the machine and disengage the controls quickly.
3. Never allow children under 14 years old to operate your Snow Thrower. Children 14 years and older should read and understand the Operator's Manual instructions and safety rules. Children over 14 years should be trained and supervised by a parent.
4. Never allow adults to operate this machine without proper instruction.
5. Thrown objects can cause severe bodily injury. Plan your snow-throwing pattern to avoid discharge of material toward roads, bystanders and the like.
6. Keep bystanders, helpers, pets and children from your Snow Thrower while it is in operation. Stop the machine if anyone enters this area.
7. Exercise caution to avoid slipping or falling, especially when operating in reverse.



## **Personal Safety**

1. Stay alert, watch what you are doing and use common sense when operating your Snow Thrower. Do not use your Snow Thrower while you are tired or under the influence of drugs, alcohol, or medication. A moment of inattention while operating the Snow Thrower may result in severe bodily injury.
2. NEVER LEAVE YOUR RUNNING SNOW THROWER UNATTENDED. Stop the engine. Do not leave your Snow Thrower until it has come to a complete stop.
3. When stepping backwards, be cautious about any obstacles beneath your feet or behind you to avoid falling.

## **Service**

1. Stop the engine before making any adjustments. Check for misalignment, breakage of or binding of moving parts, and any other conditions that may affect operation.
2. If damaged, have the Snow Thrower serviced by a qualified repair person using only identical replacement parts. This will ensure that the safety of the Snow Thrower is maintained.

## **Symbols**

These symbols represent important information about the product or instructions on its use.



**WARNING:** The following warning symbol is to remind you of the safety precautions you should take when operating the Snow Thrower.



Keep hands away from the moving parts of the Snow Thrower. The rotating parts could cause severe bodily injury.

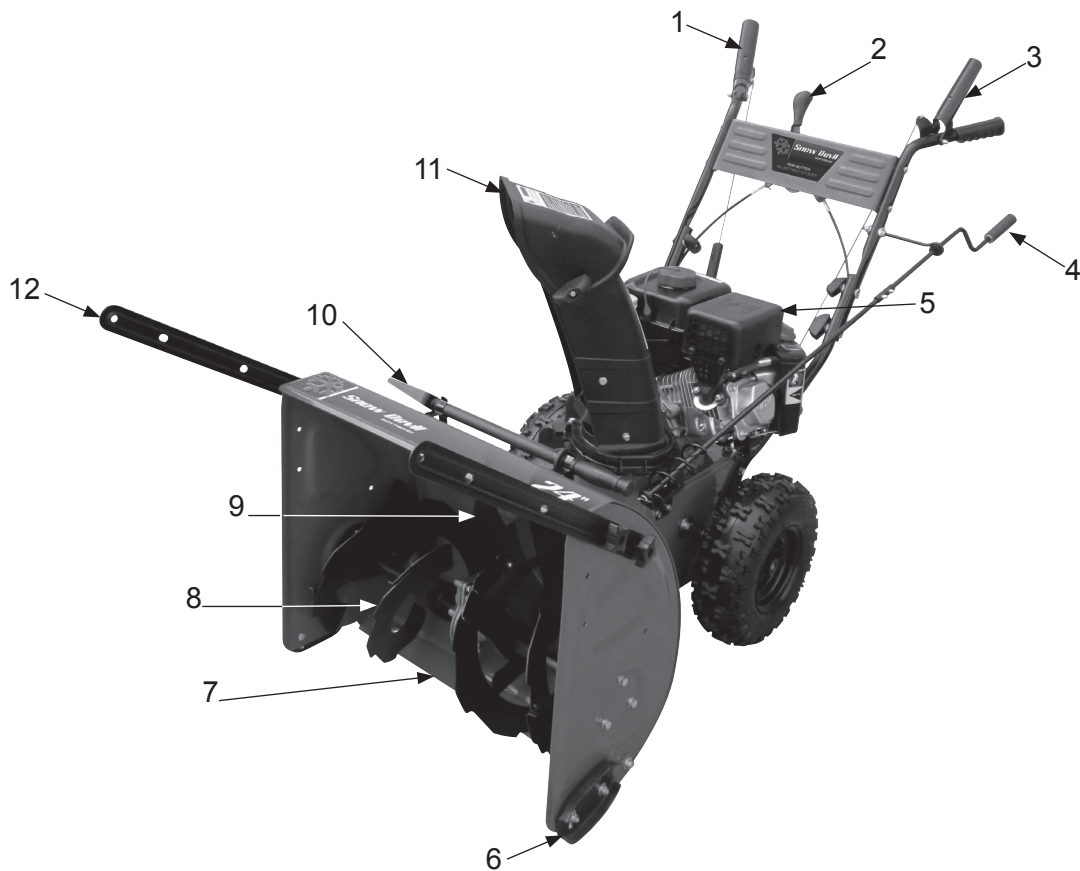


## Snow Thrower Components

Please check that the following items are included with your Snow Thrower.

- Shear Pins (2)
- Chute Assembly
- Registration Card
- Operator's Manual
- Engine's Manual

**Note:** If there are missing components, please call 1-800-232-1195, M-F 8-5 (CST) for customer service.



**Fig. 1**

- |                           |                       |
|---------------------------|-----------------------|
| 1 – Drive Control Handle  | 7 – Auger Shave Plate |
| 2 – Speed Control Lever   | 8 – Auger             |
| 3 – Auger Control Handle  | 9 – Impeller Blade    |
| 4 – Chute Rotation Handle | 10 – Snow/Ice Shovel  |
| 5 – Engine                | 11 – Chute Assembly   |
| 6 – Skid Shoe             | 12 – Drift Cutter     |



## ASSEMBLY INSTRUCTIONS

Your Snow Thrower will require some assembling. Please complete the following steps before using your Snow Thrower. For easy assembly, we recommend attaching the components in the order listed in this manual.

If you are unsure about how to perform any of the steps please call 1-800-232-1195, M- 8-5 (CST) for customer service.

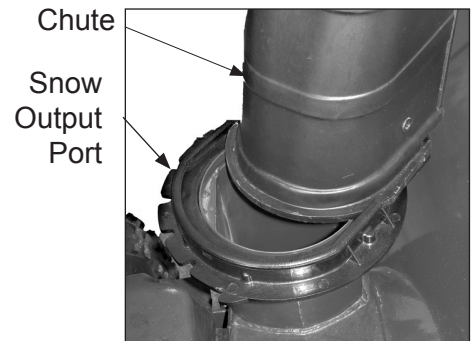


Fig. 2

### Chute Assembly (Fig. 2 & 3)

1. Insert the chute to the snow output port on your Snow Thrower (Fig. 2).
2. Attach the chute to the snow output port using the bolt and washer (Fig. 3).



Fig. 3

### Handle Assembly (Fig. 4 & 5)

1. Attach the lower handle to your Snow Thrower using four (4) bolts (Fig. 4). Each side will require two (2) bolts.
2. Attached the upper handle to the lower handle using four (4) knobs and bolts (Fig. 5).

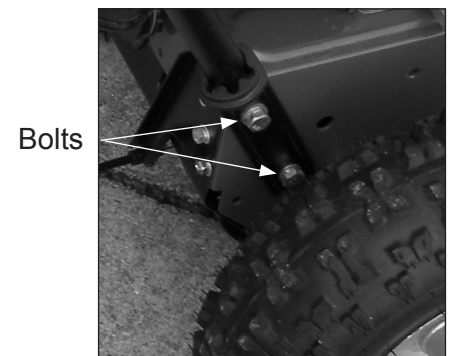


Fig. 4

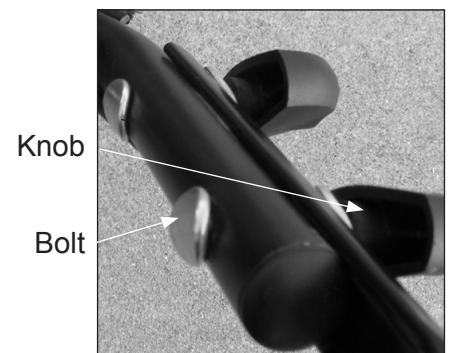


Fig. 5





## **Control Cable Attachment (Fig. 6)**

Secure the control cable to the frame with provided clips (Fig. 6).

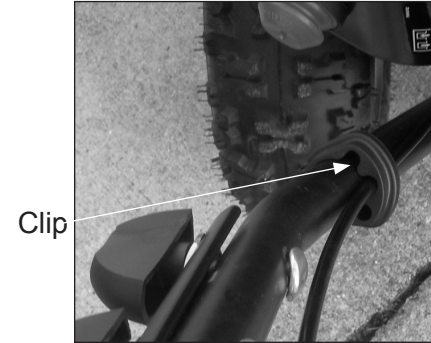


Fig. 6

## **Chute Rotation Handle Attachment (Fig. 7–9)**

1. Assemble the rotation chute by fitting the handle into the rotation piece. Secure with bolt and washer (Fig. 7).

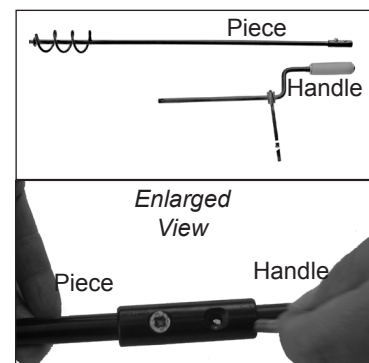


Fig. 7

2. Slide the end of the chute rotation handle through the hole on the chute bracket near the snow output port (Fig. 8). Line the spiral of the handle up with the grooves in the snow output port.

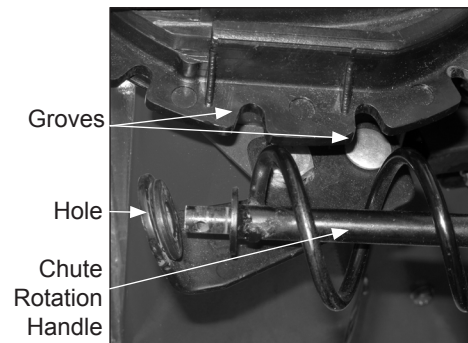


Fig. 8

3. Place the washer on the chute rotation handle then insert the cotter pin through the end of the chute rotation handle near the chute. Bend the ends of the pin to hold the pin in place.

4. Place the eyebolt on the chute rotation handle into the hole located half way up the left handle. Secure with cupped washer and nut (Fig 9).

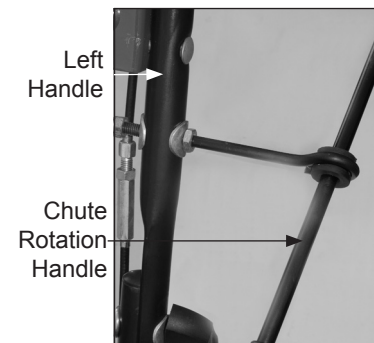


Fig. 9





## OPERATION

### Snow Thrower Preparation

**PLEASE REFER TO ENGINE'S MANUAL (SEPARATE DOCUMENT) TO LEARN HOW TO START THE ENGINE.**

The following section describes steps to prepare your Snow Thrower for use. If after reading this section, if you are unsure about how to perform any of the steps please call 1-800-232-1195 M–F 8–5 (CST) for customer service. For engine questions please call 1-877-274-2214. Failure to perform these steps properly can damage your Snow Thrower or shorten its life.



**WARNING:** Keep the area of operation free from foreign objects that can be thrown by the auger and/or impeller blades. Perform a thorough inspection of the area since some objects may be hidden from view by surrounding snow. If the Snow Thrower hits an obstruction or picks up a foreign object during use, stop the Snow Thrower, remove the obstruction, and inspect it for damage. Repair or replace any damaged parts before restarting and operating you Snow Thrower.

1. Keep children, pets, and bystanders away from the area of operation. Be aware that the normal noise of the Snow Thrower when turned on may make it difficult for you to hear approaching people.
2. Start your clearing path by throwing snow in a back and forth motion. To clear in the opposite direction, stop your Snow Thrower and pivot it on its wheels to face the opposite direction. Make sure to overlap clearing paths.
3. Determine the direction of the wind. If possible, move in the same direction as the wind so that the snow is not thrown against the wind, back into your face and on the just cleared path.



**DO NOT USE YOUR HANDS TO UNCLOG CHUTE.** Stop the motor before removing debris. Do not walk in front of your running Snow Thrower. Do not direct discharged snow towards bystanders.

4. Do not apply additional man-made load to the engine since this may damage the engine.
5. Some parts of your Snow Thrower may freeze under extreme temperature conditions. Do not attempt to operate your Snow Thrower with frozen parts. If the parts freeze while your Snow Thrower is in use, stop your Snow Thrower and inspect it for frozen parts. Thaw all parts before restarting and operating your Snow Thrower. Never force parts or controls that have frozen. Never use an open flame of any sort to thaw frozen parts.
6. **WORKING ON PEBBLES, GRAVEL, OR UNPAVED SURFACES.** To avoid throwing loose surface material along with the snow, push down on the handle to raise the scraper at the base of the unit above the pebbles or gravel.



## **Snow Thrower Inspection**

Before using your Snow Thrower for the first time, be sure that it is properly assembled. Check that all parts are properly attached and undamaged. If you are unsure about the assembly or condition of any of your Snow Thrower parts, please call customer service. Check that all parts are attached and undamaged. Check that all fasteners are tight.

## **Check Tire Inflation**

Before each use of your Snow Thrower, check the tire pressure. The pressure in each tire should be in the range of 20–24 psi for the best performance.



**WARNING:** Over-inflating could cause a tire to burst and cause severe bodily injury.

The pressure can be checked using an ordinary tire pressure gauge. Fill the tires using a portable air compressor or other compressed air source.

**Note: DO NOT OVER-INFLATE THE TIRES.**

## **Skid Shoes Adjustment (Fig. 10)**

Adjustment of the skid shoes governs the height above the ground at which the auger shave plate operates.

For clearing snow from concrete, asphalt, and other smooth surfaces, set the auger shave plate so that the bottom of the shield scrapes the ground. For clearing snow from gravel, dirt, and other rough surfaces to set the auger shave plate slightly above the ground to avoid dirt and gravel from entering the auger. The optimal height of the shield will vary depending on the type of surface being cleared. Surfaces with larger gravel or stones would require a more raised auger shield plate.

1. Make sure your Snow Thrower is on a solid, smooth, and level surface.
2. Place a spacer board on the ground underneath the auger shave plate between the skid shoes. The thickness of the board should be the same as the height above the ground you wish to raise the auger shave plate to. The skid shoes should not touch the board (see Fig. 10).
3. Using a wrench, loosen the two (2) nuts located on each skid shoe and allow the skid shoes to slide to the ground.
4. Re-tighten the nuts on the skid shoes and wheel your Snow Thrower off of the spacer board.

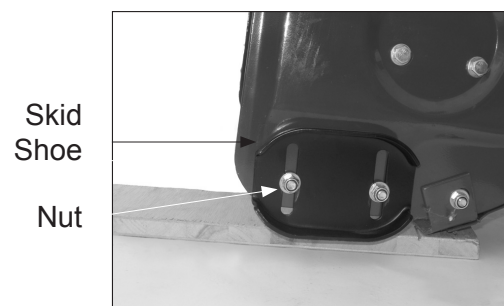


Fig. 10

## **Starting Your Snow Thrower**

**PLEASE REFER TO ENGINE'S MANUAL (SEPARATE DOCUMENT) TO LEARN HOW TO START THE ENGINE.**



## Using Your Snow Thrower (Fig. 11)

1. Once your Snow Thrower has been running outside for several minutes, it is now ready for use. Make sure the path in front of your Snow Thrower is free from people, animals, objects, and all other obstructions except for snow.
2. Adjust the chute outlet to the desired direction. Turn the chute rotation handle clockwise or counter-clockwise until the desired position is reached (see page 12).



**WARNING:** Never direct the chute outlet toward people or animals. While snow may seem harmless, it can contain rocks or other debris that can cause serious injury when projected through the chute.

3. Move the drive speed control lever to the desired speed. There are six (6) settings: four (4) forward speeds and two (2) reverse speeds. 1 is the slowest forward speed and 4 is the fastest forward speed. R1 is the slowest reverse speed and R2 is the fastest reverse speed (Fig. 11).

**Note:** There is no neutral drive setting since the drive control handle must be engaged for movement.

## Driving and Auger Controls (Fig. 12-13)

1. Press down on the auger control handle on the left-hand side (Fig. 12). The auger should start spinning.
2. Press down on the drive control handle on the right-hand side (Fig. 13). The machine should start moving in the direction with the speed set by the drive speed control lever.
3. When finished clearing a snow path, release the auger control handle and the drive control handle.
4. The drive speed can be adjusted by using the drive speed control handle. Be sure to release both the auger control handle and the drive control handle before adjusting the drive speed control lever.

**Note: NEVER CHANGE THE SPEED WHILE YOUR SNOW THROWER IS MOVING. IT COULD DAMAGE THE DRIVE MECHANISM AND VOID THE WARRANTY.**

To adjust the chute outlet direction, be sure to release both the auger control handle and the drive control handle before doing so.  
#57030 OPERATOR'S MANUAL

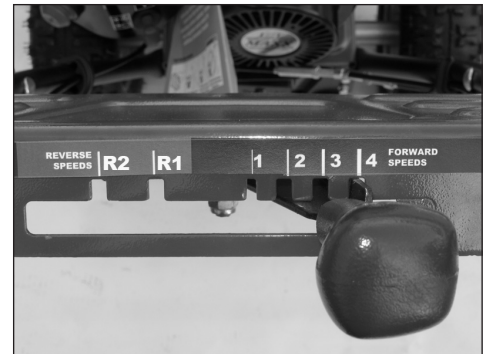


Fig. 11



Fig. 12



Fig. 13



## **Chute Outlet Direction Adjustment (Fig. 14–16)**

The angle of the chute deflector controls the throwing distance of the snow leaving the chute. Raising the angle will increase the throwing distance (Fig. 14). Lowering the angle will decrease the throwing distance (see Fig. 15).

1. Make sure the drive and auger control handles are released. The auger has to come to a full stop.
2. Loosen the knobs on the chute deflector (Fig. 16) and adjust the chute deflector to the desired angle.
3. Retighten the knobs on the chute deflector. Do not over-tighten.



Fig. 14



Fig. 15



Fig. 16

## **Snow Discharge Direction**

1. Never direct the snow discharge chute at the operator, bystanders, vehicles or nearby windows. The discharged snow and foreign objects accidentally picked up by the Snow Thrower can cause serious damage and severe bodily injury. Always point the discharge chute in the opposite direction from potential hazards.
2. The discharge chute can be adjusted 180° by rotating the chute rotation handle. Rotate the chute rotation handle clockwise to move the discharge chute to the left (Fig. 17); counterclockwise to move the chute to the right (Fig 18).



Fig. 17



Fig. 18



**WARNING:** An opening between the discharge chute and the chute deflector may allow foreign objects to be picked up by your Snow Thrower and be thrown in the direction of the operator causing severe bodily injury. Do not advance the chute deflector too far forward causing an opening to appear between the deflector and discharge chute. Do not over tighten the knobs on the chute deflector.

## **Stopping Your Snow Thrower**

When finished using your Snow Thrower, perform the following steps to shut it down.

1. Run the auger and impeller for 30 seconds to clear any remaining snow inside your Snow Thrower. Stop the auger by releasing the left control handle.
2. Set the engine switch to the OFF position. This will stop the engine.
3. Move the fuel valve lever to the OFF position.
4. Remove snow from all Snow Thrower surfaces.



**WARNING:** Never store your Snow Thrower for extended periods of time with fuel in the tank. Fuel stabilizer can be added to the fuel to extend its shelf life for storage.

## **MAINTENANCE**



**WARNING:** Make sure to turn OFF the engine before performing any maintenance tasks on your Snow Thrower.

1. Proper maintenance of your Snow Thrower will help prolong its life. Please perform the maintenance procedures according the schedule on page 14.
2. If you have questions about any of the maintenance procedures listed in this manual, please call 1-800-232-1195, M–F 8–5 (CST).
3. Please read the Engine's Manual for engine maintenance. Any questions, call 1-877-274-2214.



Maintenance Schedule		
Mechanism	Function	Frequency
Auger & Impeller	Clear Jams	As necessary
Tires	Check Pressure	Before each use
Engine Oil	See Engine's Manual	
Spark Plug		
Fuel Tank		
Drive & Auger Cables	Adjust tension	As necessary
Shear Pins	Replace	When broken

**WARNING:** Never perform maintenance while your Snow Thrower is running.

### Snow Thrower Use and Care



1. Do not attempt to repair your Snow Thrower unless you have the proper tools and instructions for disassembly and repair.
2. Check the bolts at frequent intervals for proper tightness to ensure that the equipment is in safe working condition.
3. After each snow removal session, run the Snow Thrower for a few minutes to prevent the collector/impeller from freezing. Stop the engine, wait for all revolving parts to **stop completely**, and wipe residual ice and snow off the unit. Rotate the chute rotation handle several times to remove any excess snow.





## Snow Thrower Cleaning

1. Frequency: When dirty.
2. To clean your Snow Thrower, use a damp cloth and mild detergent on the surfaces only. Never get soap or water inside the working mechanisms of your Snow Thrower.

**Note:** Do not clean with water. Water will freeze due to low temperature and damage the machine.

3. Clean the Snow Thrower of snow and ice buildup before storing or transporting. Be sure to secure the unit while transporting.
4. Inspect the Snow Thrower carefully for worn, loose, or damaged parts. Check connections and screws and tighten if necessary.
5. Store the unit, in a locked, dry place out of the reach of children to prevent unauthorized use or damage. Cover loosely with a tarp for added protection.

## Auger or Impeller Jams



**WARNING:** The auger and impeller rotate at fast speeds which can cause harm or even amputation to a person's body parts. Even if you do not see the auger or impeller rotating, it may start at any time if the engine is running.

1. Always turn OFF the engine before attempting to clear any clogs or jams.
2. Keep hands and feet away from rotating parts while the engine is running.
3. Do not wear loose fitting clothing that can become entangled in rotating parts.
4. Wait until the auger and compeller have come to a full stop.
5. Clear any visible jams using the shovel attached to your machine (Fig. 19).

**Note:** DO NOT try to clear jams with your hands or feet.



Fig. 19





## **Drive and Auger Cables Adjustment**

Frequency: As needed.

Over time, the tension in the cables that lead to the drive control and auger control handles may loosen. Ideally, the cables should be just barely tight when the handles are in the released position. To tighten the handle cables, use a wrench or pliers and gently rotate the metal turnbuckle at the top of the cable until the desired tension is achieved.

## **Shear Pins Replacement (Fig. 20)**

1. Frequency: When Broken.
2. Your Snow Thrower contains two shear pins, one on each end of the auger shaft as shown in. A clog or jam in the auger may cause one or both of the shear pins to break. This is a safety mechanism to protect the rest of your Snow Thrower from overload and damage. Your Snow Thrower comes with two replacement shear pins. To order more shear pins, please call our customer service line.

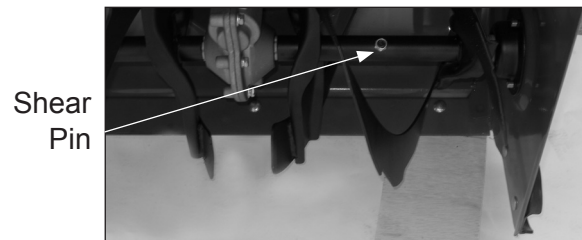
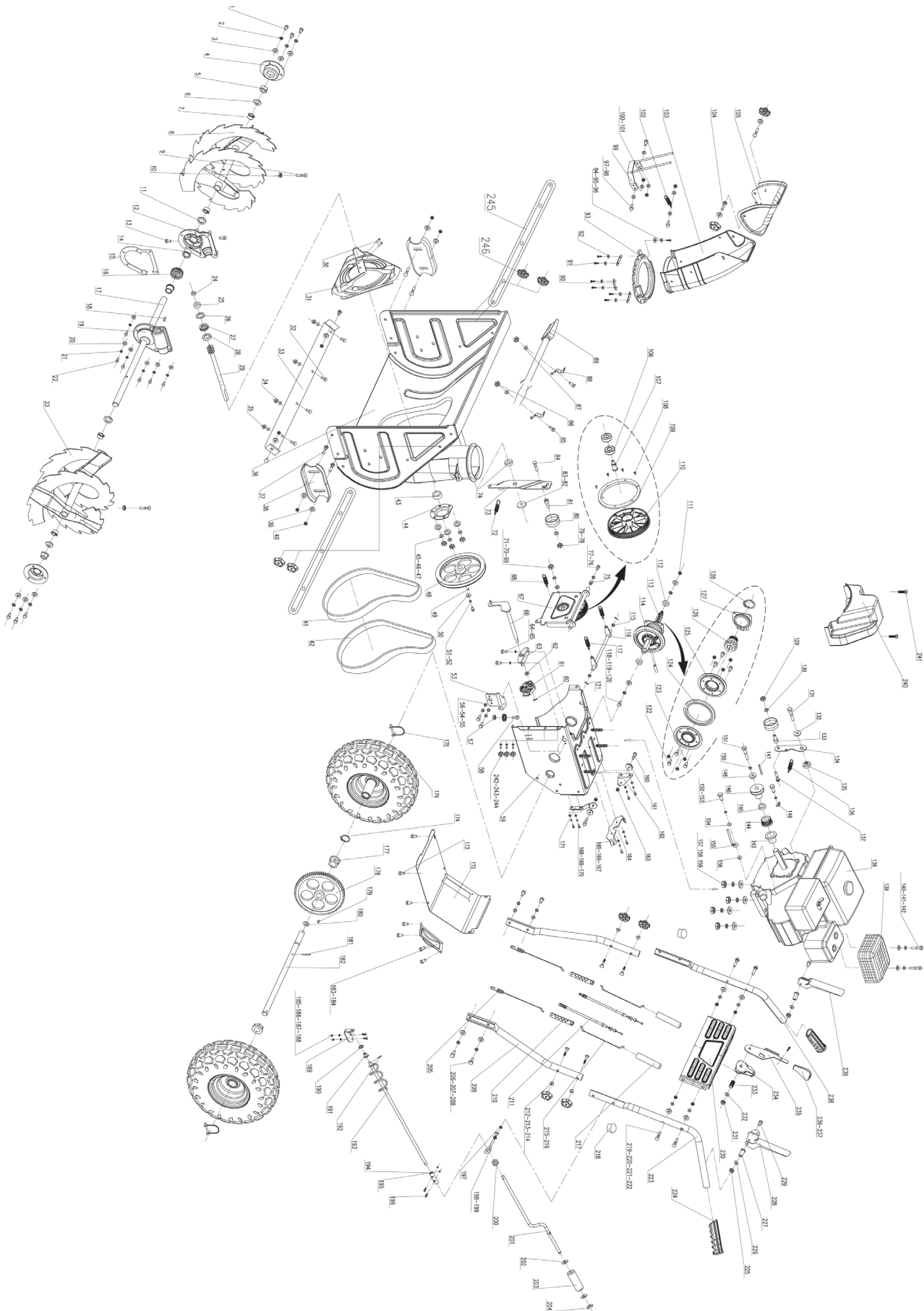


Fig. 20

3. Turn off the engine and wait for all moving parts to come to a complete stop.
4. Remove any remnants of the broken shear pin. You may need to unscrew the nut from the broken shear pin.
5. Place a new shear pin through the hole in the auger shaft and tighten using the shear pin nut.

# EXPLODED VIEW





**Snow Devil**  
SNOW THROWERS

## PARTS LIST

PART	STOCK	DESCRIPTION
1	57030-B-001	Screw M8x16
2	57030-B-002	Washer 8
3	57030-B-003	Flat Washer 8
4	57030-B-004	Bearing Housing
5	57030-B-005	Plastic Bushing
6	57030-B-006	Washer
7	57030-B-007	Bushing
8	57030-B-008	Right Auger
9	57030-B-009	Shear Pin
10	57030-B-010	Nut M8
11	57030-B-011	Nylon Seal
12	57030-B-012	Right Worm Housing
13	57030-B-013	Grease Nipple
14	57030-B-014	Bushing
15	57030-B-015	Worm Gasket
16	57030-B-016	Worm Gear
17	57030-B-017	Auger Axle
18	57030-B-018	Key
19	57030-B-019	Left Worm Housing
20	57030-B-020	Flat Washer 6
21	57030-B-021	Spring Washer 6
22	57030-B-022	Screw M6x20
23	57030-B-023	Left Auger
24	57030-B-024	Bearing 6001
25	57030-B-025	Bearing 61904
26	57030-B-026	Washer
27	57030-B-027	Bearing 51104
28	57030-B-028	Seal
29	57030-B-029	Worm Shaft
30	57030-B-030	Spring Pin
31	57030-B-031	Impeller
32	57030-B-032	Bolt M8x16
33	57030-B-033	Shave Plate
34	57030-B-034	Flat Washer 8
35	57030-B-035	Locknut M8
36	57030-B-036	Auger Housing
37	57030-B-037	Bolt M8x18
38	57030-B-038	Skid Shoe
39	57030-B-039	Flat Washer 8

PART	STOCK	DESCRIPTION
40	57030-B-040	Locknut M8
41	57030-B-041	V-belt
42	57030-B-042	Synchronous Belt
43	57030-B-043	Bearing UC204
44	57030-B-044	Keeper
45	57030-B-045	Flat Wahser 8
46	57030-B-046	Locknut M8
47	57030-B-047	Spring Washer 8
48	57030-B-048	Auger Pulley
49	57030-B-049	Key C6x18
50	57030-B-050	Flat Washer 8
51	57030-B-051	Spring Washer 8
52	57030-B-052	Screw M8x20
53	57030-B-053	Support Bracket
54	57030-B-054	Flat Washer 6
55	57030-B-055	Spring Washer 6
56	57030-B-056	Screw M6x16
57	57030-B-057	Locknut M6
58	57030-B-058	Screw
59	57030-B-059	Transmission Case
60	57030-B-060	Cotter Pin
61	57030-B-061	Supporting Disk
62	57030-B-062	flat Washer 8
63	57030-B-063	Frame Bracket
64	57030-B-064	Spring Washer 6
65	57030-B-065	Screw M6x12
66	57030-B-066	Shift Rod
67	57030-B-067	Pulley Bracket
68	57030-B-068	Spring
69	57030-B-069	Flat Washer 10
70	57030-B-070	Spring Washer 10
71	57030-B-071	Nut M10x1
72	57030-B-072	Extension Spring
73	57030-B-073	Auger Idler Arm
74	57030-B-074	Sleeve
75	57030-B-075	Spacer
76	57030-B-076	Flat Washer
77	57030-B-077	Screw M6x16
78	57030-B-078	Locknut M8



# Snow Devil

SNOW THROWERS

## PARTS LIST

PART	STOCK	DESCRIPTION
79	57030-B-079	Flat Washer 8
80	57030-B-080	Flat Idler
81	57030-B-081	Flange Bearing
82	57030-B-082	Saddle Washer
83	57030-B-083	Locknut M10
84	57030-B-084	Screw M8x40
85	57030-B-085	Screw M6x12
86	57030-B-086	Locknut M6
87	57030-B-087	Flat Washer 6
88	57030-B-088	Clear-out Mount
89	57030-B-089	Snow Removal Tool
90	57030-B-090	Flange Keeper
91	57030-B-091	Screw ST4.2x10
92	57030-B-092	Flat Washer 4
93	57030-B-093	Chute Base
94	57030-B-094	Screw M6x20
95	57030-B-095	Flat Washer 6
96	57030-B-096	Locknut M6
97	57030-B-097	Screw M6x16
98	57030-B-098	Flat Washer 6
99	57030-B-099	Safety Jack
100	57030-B-100	Flat Washer 6
101	57030-B-101	Locknut M6
102	57030-B-102	Extension Spring
103	57030-B-103	Chute
104	57030-B-104	Square Neck Bolt
105	57030-B-105	Chute Deflector
106	57030-B-106	Bearing 6203
107	57030-B-107	Synchronizing Axle
108	57030-B-108	Screw M6x10
109	57030-B-109	Bearing Housing
110	57030-B-110	Transmission Pulley
111	57030-B-111	Locknut M10
112	57030-B-112	Bearing 6203-ZN
113	57030-B-113	Wheel Drive Shaft
114	57030-B-114	Cotter Pin
115	57030-B-115	Flat Washer 10
116	57030-B-116	Walk Stents Welding
117	57030-B-117	Extension Spring A

PART	STOCK	DESCRIPTION
118	57030-B-118	Screw M10x20
119	57030-B-119	Washer 10
120	57030-B-120	Flat Washer 10
121	57030-B-121	Cotter Pin
122	57030-B-122	Screw M6x12
123	57030-B-123	Locknut M6
124	57030-B-124	Rubber Ring
125	57030-B-125	Friction Plate
126	57030-B-126	Friction Wheel Hub
127	57030-B-127	Bearing Assembly
128	57030-B-128	Circlip
129	57030-B-129	Locknut M8
130	57030-B-130	Flat Washer 8
131	57030-B-131	Screw M8x35
132	57030-B-132	Flat Washer 8
133	57030-B-133	Jacket Tube
134	57030-B-134	Drive Bracket
135	57030-B-135	Bush
136	57030-B-136	Extension Spring
137	57030-B-137	Screw M8x40
138	57030-B-138	Engine
139	57030-B-139	Muffler Guard
140	57030-B-140	Screw M5x12
141	57030-B-141	Washer 5
142	57030-B-142	Flat Washer 5
143	57030-B-143	Bush
144	57030-B-144	Synchronous Pulley
145	57030-B-145	Adjusting Washer
146	57030-B-146	Small Auger Pulley
147	57030-B-147	Flat Key
148	57030-B-148	Flat Washer 8
149	57030-B-149	Spring Board
150	57030-B-150	Washer 8
151	57030-B-151	Screw M8x35
152	57030-B-152	Screw M8x20
153	57030-B-153	Washer 8
154	57030-B-154	Flat Washer 8
155	57030-B-155	Belt Keeper
156	57030-B-156	Washer 8



**Snow Devil**  
SNOW THROWERS

## PARTS LIST

PART	STOCK	DESCRIPTION
157	57030-B-157	Washer 8
158	57030-B-158	Flat Washer 8
159	57030-B-159	Locknut M8
160	57030-B-160	Cable Roller Screw
161	57030-B-161	Cable Roller
162	57030-B-162	Wheel Board A
163	57030-B-163	Locknut M6
164	57030-B-164	Drive Cable Bracket
165	57030-B-165	Flat Washer 6
166	57030-B-166	Washer 6
167	57030-B-167	Screw M6x16
168	57030-B-168	Flat Washer 6
169	57030-B-169	washer 6
170	57030-B-170	Screw M6x16
171	57030-B-171	Wheel Board B
172	57030-B-172	Frame Cover
173	57030-B-173	Screw M6x12
174	57030-B-174	Circlip
175	57030-B-175	Dowel Pin
176	57030-B-176	Wheel
177	57030-B-177	Bush
178	57030-B-178	Big Gear
179	57030-B-179	Key
180	57030-B-180	Washer
181	57030-B-181	Cotter Pin
182	57030-B-182	Drive Axle
183	57030-B-183	Screw ST4x10
184	57030-B-184	Small Cover
185	57030-B-185	Flat Washer 8
186	57030-B-186	Locknut M8
187	57030-B-187	Screw M8x18
188	57030-B-188	Screw M8x20
189	57030-B-189	Bracket
190	57030-B-190	Flat Washer 8
191	57030-B-191	Plastic Bushing
192	57030-B-192	Cotter Pin
193	57030-B-193	Chute Direction Control
194	57030-B-194	Nut M5
195	57030-B-195	Sleeve

PART	STOCK	DESCRIPTION
196	57030-B-196	Screw M5x18
198	57030-B-197	Nut M8
197	57030-B-198	Saddle Washer 8
199	57030-B-199	Control Bracket
200	57030-B-200	Plastic Bushing
201	57030-B-201	Z-shaped Level
202	57030-B-202	Flat Washer 10
203	57030-B-203	Knob
204	57030-B-204	Check Ring
205	57030-B-205	Auger Cable (Down)
206	57030-B-206	Screw M8x20
207	57030-B-207	Washer 8
208	57030-B-208	Flat Washer 8
209	57030-B-209	Lower Right Tube
210	57030-B-210	Adjustable Line Board
211	57030-B-211	Shift Cable
212	57030-B-212	Knob
213	57030-B-213	Screw M8x45
214	57030-B-214	Saddle Washer
215	57030-B-215	Driving Cable (Up)
216	57030-B-216	Auger Cable (Up)
217	57030-B-217	Cable Cover
218	57030-B-218	End-cap
219	57030-B-219	Nut M8
220	57030-B-220	Washer 8
221	57030-B-221	Flat Washer 8
222	57030-B-222	Bolt M8x40
223	57030-B-223	Upper Handle LH
224	57030-B-224	Handle
225	57030-B-225	Nut M8
226	57030-B-226	Washer 8
227	57030-B-227	Bush
228	57030-B-228	Auger Control
229	57030-B-229	Screw M6x40
230	57030-B-230	Panel
231	57030-B-231	Locknut M8
232	57030-B-232	Flat Washer 10
233	57030-B-233	Spring
234	57030-B-234	Shift Disk



***Snow Devil***

SNOW THROWERS

## PARTS LIST

PART	STOCK	DESCRIPTION
235	57030-B-235	Shift Lever
236	57030-B-236	Screw ST5x14
237	57030-B-237	Shift Knob
238	57030-B-238	Upper Handle RH
239	57030-B-239	Drive Control
240	57030-B-240	Belt Cover
241	57030-B-241	Screw M6x12
242	57030-B-242	Flat Washer 8
243	57030-B-243	Washer 8
244	57030-B-244	Locknut M8
245	57030-B-245	Drift Cutter
246	57030-B-246	Knob





**Snow Devil**  
SNOW THROWERS

## TWO (2) YEAR LIMITED WARRANTY

SNOW DEVIL™ is committed to building tools that are dependable for years. Our warranties are consistent with our commitment and dedication to quality.

TWO (2) YEAR LIMITED WARRANTY OF SNOW DEVIL™ PRODUCTS FOR HOME USE.

GREAT LAKES TECHNOLOGIES, LLC ("Seller") warrants to the original purchaser only, that all SNOW DEVIL™ consumer power equipment will be free from defects in material or workmanship for a period of two (2) years from date of purchase. Ninety (90) days for all SNOW DEVIL™ products, if the equipment is used for professional or commercial use.

SELLER'S SOLE OBLIGATION AND YOUR EXCLUSIVE REMEDY under this Two (2) Year Limited Warranty and, to the extent permitted by law, any warranty or condition implied by law, shall be the repair or replacement of parts, without charge, which are defective in material or workmanship and which have not been misused, carelessly handled, or misrepaired by persons other than Seller or Authorized Service Center. To make a claim under this Limited Warranty, you must return the entire power equipment product; transportation prepaid, to Great Lakes Technologies, LLC, 501 Davis Road, Elgin, IL 60123. Include a legible copy of the original receipt, which lists the date of purchase (month and year) and the name of the company purchased from.

THIS LIMITED WARRANTY DOES NOT APPLY TO ACCESSORY ITEMS SUCH AS SHEAR PINS, DRIVE BELTS, CABLES, AUGER SHAVE PLATES, TIRES AND OTHER RELATED PARTS AND/OR MAINTENANCE ITEMS.

ANY IMPLIED WARRANTIES SHALL BE LIMITED IN DURATION TO TWO (2) YEARS FROM DATE OF PURCHASE. SOME STATES IN THE U.S. AND SOME CANADIAN PROVINCES DO NOT ALLOW LIMITATIONS ON HOW LONG AN IMPLIED WARRANTY LASTS, SO THE ABOVE LIMITATION MAY NOT APPLY TO YOU.

IN NO EVENT SHALL SELLER BE LIABLE FOR ANY INCIDENTAL OR CONSEQUENTIAL DAMAGES (INCLUDING BUT NOT LIMITED TO LIABILITY FOR LOSS OF PROFITS) ARISING FROM THE SALE OR USE OF THIS PRODUCT. SOME STATES IN THE U.S. AND SOME CANADIAN PROVINCES DO NOT ALLOW THE EXCLUSION OR LIMITATION OF INCIDENTAL OR CONSEQUENTIAL DAMAGES, SO THE ABOVE LIMITATION OR EXCLUSION MAY NOT APPLY TO YOU.

THIS LIMITED WARRANTY GIVES YOU SPECIFIC LEGAL RIGHTS, AND YOU MAY ALSO HAVE OTHER RIGHTS WHICH VARY FROM STATE TO STATE IN THE U.S., PROVINCE TO PROVINCE IN CANADA AND FROM COUNTRY TO COUNTRY.

THIS LIMITED WARRANTY APPLIES ONLY TO OUTDOOR POWER EQUIPMENT SOLD WITHIN THE UNITED STATES OF AMERICA, CANADA AND THE COMMONWEALTH OF PUERTO RICO. FOR WARRANTY COVERAGE WITHIN OTHER COUNTRIES, CONTACT SNOW DEVIL™ CUSTOMER SUPPORT.