


S I G H T  M A R K <sup>®</sup>

USER MANUAL



# Ghost Hunter Binocular

1x24 Goggle Kit, 2x24 and 4x50

English / Francais / Español

## ABOUT SIGHTMARK®

Sightmark offers a wide range of products that include red dot scopes, reflex sights, rangefinders, riflescopes, laser sights, night vision and award-winning flashlights and boresights. Sightmark products are inspired by military and law enforcement applications. All products are designed to be the most effective weapon accessories possible.

MAKE YOUR MARK

S I G H T  M A R K®

[www.sightmark.com](http://www.sightmark.com)

# ENGLISH



## FEATURES:

- High quality image and resolution
- Close observational range of focus
- High power built-in infrared illuminator
- Ergonomic design
- Quick power up
- 1/4" Socket for tripod or weapons mount
- Lightweight and durable

## INCLUDES:

- Carrying case
- Head mount\*
- Lens Cloth

*\*SM15070 goggle kit only*

## TECHNICAL SPECIFICATIONS:

SM15070

Generation	1 / EP 33-U
Magnification	1x
Objective Lens diameter	24mm
Field of view	30°
Field of view, m@100m	54m
Min. focusing distance	.3m
Eye relief	12mm
Diopter adjustment	+/-5
Resolution, lines per mm	36mm
Max detection range	80
Battery type	2xAAA

Battery life (with IR)	20hr
Batter life (w/out IR)	70
Tripod mount	1/4"
Operating temp.	-20...40 °C
Dimensions	136x113x60mm
Weight (w/out batteries)	13.8oz

SM15071

Generation	1 / EP 33-U
Magnification	2x
Objective Lens diameter	24mm
Field of view	25°
Field of view, m@100m	44m
Min. focusing distance	1m
Eye relief	12mm
Diopter adjustment	+5
Resolution, lines per mm	36mm
Max detection range	120
Battery type	2xAAA

Battery life (with IR)	20hr
Batter life (w/out IR)	70hr
Tripod mount	1/4"
Operating temp.	-20...40 °C
Dimensions	136x113x60mm
Weight (w/out batteries)	14.1oz

SM15073

Generation	1 / EP 33-U
Magnification	4x
Objective Lens diameter	50mm
Field of view	15°
Field of view, m@100m	26m
Min. focusing distance	1m
Eye relief	12mm
Diopter adjustment	+5
Resolution, lines per mm	36mm
Max detection range	180

Battery type	2xAAA
Battery life (with IR)	20hr
Batter life (w/out IR)	70hr
Tripod mount	1/4"
Operating temp.	-20...40 °C
Dimensions	185x122x72mm
Weight (w/out batteries)	24.7oz

## DIAGRAM:

- 1) Objective lens
- 2) On / off button
- 3) IR illuminator
- 4) IR button
- 5) Eyepiece
- 6) Battery compartment



## OVERVIEW:

The Ghost Hunter binocular series consist of generation 1 night vision binoculars designed for observation at night time. The binoculars can operate both in the passive mode (without infrared (IR) illumination) and in the active mode (with IR illumination). The IR illuminator is recommended for use in low-ambient light conditions or total darkness. The Ghost Hunter binocular series consists of various models that suit various situations for close range to long range observation. The standard ¼" tripod socket allows the Ghost Hunters to be installed on a head mount or various accessories. The Ghost Hunter binoculars are tailored perfectly to a wide range of applications including:

- Shooting games (airsoft, paintball, ect.)
- Search and rescue
- Nature Observation
- Hunting

## WARNINGS AND PRECAUTIONS:

Your night vision binocular was designed to provide many years of reliable service. To ensure that you get the most enjoyment out of your binocular, always obey the following Warnings and Precautions:

- Do not direct the unit in the "on" position at intense sources of light, such as car's headlights or burning fire. This may disable the unit for an unknown length of time or cause a dark spot in the center of the field of view. Do not turn the unit on in daylight without the protective cap firmly secured over the objective lens, as this may damage the unit. Any such damage may void your warranty.
- Never leave the unit in the "on" position with the lens cap removed over an extended length of time in an area with a light level exceeding 1-10 lux (twilight – 10 lux, deep twilight 1 lux). Please keep the protective cap on the objective under greater light level
- Your binocular was designed to be self-contained. Do not open the body of the scope or otherwise attempt to service this device. If such a need arises return the unit for replacement or repair.

- Keep the binocular away from dust and sudden temperature drop.
- Do not subject the unit to water submersion, drops, or splashes.
- Avoid dropping or otherwise shocking the unit. The binocular incorporates a sophisticated optical system which could be damaged in extreme cases of misuse.

## BATTERY INSTALLATION:

Your binocular runs on two AAA batteries. To install, unscrew the screw of the battery compartment cover (6), open the cover and insert the batteries into the battery compartment observing the marking on the inner side of the cover of the battery compartment, tighten the screw of the cover carefully. Do not overtighten.

## USE AND TESTING:

Make sure the batteries have been installed according to instructions found above.

- If you wish to test your night vision device in a lighted area, be sure the lens cap is in place prior to pressing the "ON" button. The lens cap has a pinhole opening to admit a small amount of light for testing purposes.
- Move into a dark area before activation the binocular.
- Remove the lens cap from the objective lens. (1).
- Activate the device by pushing the "ON" button (2). The green LED indicator will light up.
- If the subject to be viewed is in a completely dark area including lowlight shadow areas, activate the infrared illuminator (3) by pressing the "IR" Button (4) located next to "ON" button.
- Direct the turned on unit at an object at a distance of around 30m. Rotating the eyepiece (5), focus on the tube's screen until it becomes focused. Rotate the objective lens (1) until the image quality is optimal. Re-focus the eyepiece, if necessary.

Note: When screwing the objective lens into the housing, it focuses on farther objects. When screwing out it focuses on closer objects.

- When you are finished using your binocular put the cap back on the objective lens, turn off the unit by pushing the "ON" (2) button (the green LED indicator will go out) and put it into the carrying case.

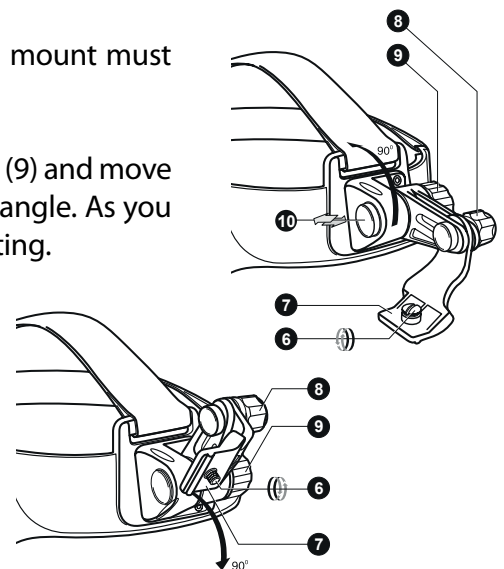
## CAUTION:

Your binocular can be used in extreme cold. However, when the unit is brought back into a warm environment, please wait approximately 2-3 hours before using the unit again. Failure to do so may result in damage as a result of condensation accumulating on the internal circuitry of the unit.

## USING THE HEAD MOUNT

The Ghost Hunter 1x24 night vision binocular includes a compact head mount. This allows hands-free operation of the night vision device in partial and complete darkness. The head mount ensures stable positioning of the Ghost Hunter 1x24 in front of the user's eyes, even while in fast motion (pacing, running, and abrupt movements). The Head Mount is simple and convenient to use. All adjustments on the head mount can be made with one hand, such as the 90° tilt function. In order to operate:

- Adjust the size of the mask to fit your head using the straps. The head mount must closely fit your head.
- Affix the night vision device to the adapter (7) using the screw (6).
- To adjust the position of the unit relative to the eyes, loosen the knobs (8), (9) and move the unit longitudinally, upwards and downwards adjusting its inclination angle. As you find the most comfortable position, tighten the knobs (8), (9) to fix the setting.
- To watch objects without the unit, place the unit vertically by pressing and holding the button (10). Next, swing the unit up until the unit clicks and locks in place. Press and hold the button (10) again and swing in a downward motion to bring the unit to its original position.
- When you are finished using the unit, remove the night vision device from the adapter and remove the head mount from the user's head.





## MAINTENANCE:

- Clean the lens with professional lens cleaning supplies intended for use with multicoated optics.
- Blow any dust or dirt off the lenses using dry, compressed air.
- Clean the monocular's housing with a soft, clean cloth coated in some synthetic cleaning means.

## STORAGE:

Always store the monocular in its case in a dry well-ventilated and well-heated room away from heating / air conditioning vents. Remove the batteries if the device is to be stored longer than one month.

## TROUBLESHOOTING:

- The scope will not turn on...

Check that the batteries are installed properly. Install the batteries according to the (+) and (-) polarity, ensuring that the markings on the batteries and battery compartment correspond with each other. Check the battery contacts to ensure they are clean and free of corrosion; if necessary, clean the contacts. If necessary, replace the batteries as they may be depleted. Also, be sure that the power is in the "ON" position while trying to turn on the scope

- Distinct black dots appear on the screen...

These dots are minor cosmetic blemishes resulting from tube production processes and do not interfere with the reliability or performance of the scope.

- The scope flickers, flashes or “snows”...

The scope may flicker or flash when used in a bright environment; to correct this, place the cap over the objective lens and enter a dark environment. The scope will restore itself to a natural functioning state in several minutes or hours, depending on how long the scope had been exposed to the light. The scope may flicker for the first several seconds of use, even when in a dark environment, before the scope corrects itself and functions properly. The scope may “snow” for several minutes after being exposed to a bright light source (daylight, a car’s headlights, fire, ect.) even if being operated in complete darkness.

- The image is not focused...

Adjust the focus of the eyepiece and the objective (see Use and Testing). Check that the lenses are not foggy or dusty; if they are, carefully clean the external surfaces of lenses with a soft cotton fabric. Replace the battery if the total battery charge is less than 2.2 V. When the unit is brought into a warm environment from a cold one, condensation may appear on the internal lenses; you must wait two hours before using the unit.

- Visibility decreases or disappears...

Bright light sources, such as headlights, may cause visibility to decrease or disappear and the image to flicker. Turn the power off and turn the scope away from the light source; visibility will restore itself in several minutes.

## SIGHTMARK LIMITED LIFETIME WARRANTY

Please visit [www.sightmark.com](http://www.sightmark.com) for warranty information.