



ZENYTH 600 phone User Guide



Index

INTRODUCTION	4
MAIN FEATURES	4
SAFETY	5
CONFORMITY DECLARATION	5
ENVIRONMENTAL IMPACTS	6
DESCRIPTION OF ZENYTH 600	7
INSTALLATION	8
TELEPHONE INSTALLATION	8
MAIN FEATURES	10
IN USE LED INDICATOR	10
MESSAGE INDICATOR.....	10
PHONE SETTING	10
TONE/PULSE DIALING MODE SELECT	10
VOLUME CONTROL DURING CONVERSATION.....	10
PROGRAMMING RINGER TONE AND VOLUME	11
PROGRAMMING MEMORY	12
OPERATION AT OFF-HOOK STATE	14
SPEED DIALING FROM MEMORY [M1...M4]	14
SPEED DIALING FROM DIGITS [0,1...9]	14
USING MULTIFUNCTION KEYS [F1...F4]	14
PAUSE BUTTON	14
MUTE BUTTON	14
FLASH (R) BUTTON.....	15
REDIAL BUTTON.....	15
PULSE TO TONE.....	15
TECHNICAL CHARACTERISTICS	16

Operating instruction

Introduction

The ZENYTH 600 telephone set – is a custom-made analogue telephone for SELTA exchanges: it allows to use all the basic voice services of the SELTA communication.

Main features

- 4 multifunction keys
- 4 one-touch memories
- 10 two-touch memories
- 6 programmed keys (Memory, Redial, Flash, Pause, Mute, Program)
- Pulse/Tone dialing switch
- Message indicator
- In-use led indicator
- Data port
- Digital speaker volume control
- Wall mounting possibility

This booklet provides a description of performances and services offered by ZENYTH 600 telephones.

Safety

Please, read the following safety advice carefully before using a ZENYTH 600 telephone:

- Read these instructions and keep them in a safe place.
- Keep the containing box of the telephone.
- Place your telephone on a flat and non-slip surface.
- Ensure that your telephone is not positioned in direct sunlight or near other heat sources.
- Do not install or use your telephone in areas where there is a risk of explosion.
- Protect the telephone from humidity, water, steam, dust and aggressive liquids. Use a slightly damp cloth to clean the plastic cabinet. Do not use benzine, thinner or chemical solvents. Do not use abrasive powder to clean the cabinet.
- Use the telephone in a temperature range from +5°C to +40°C.
- Only connect the connecting cable to a socket intended for analog telephones.

Conformity declaration

The SELTA SPA declares under its responsibility that the product ZENYTH 600 is conform to the EC directive 1999/05/EC of the European Parliament and the European Commission dated 9th of March 1999 for radio equipment and for telecommunications terminal equipment and the reciprocal recognition of their conformity.

The original conformity declaration is conserved in the SELTA SPA archive - Via Nazionale, Km 404,500 - 64018 Tortoreto (TE), Italy.

Affixing the mark:

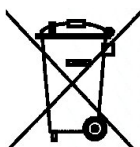


on the product, object of the present declaration, guarantees the observance of the directive 1999/05/EC".

Environmental impacts

The product, at the end of its life-cycle must not be disposed of in the environment; its disposal must occur according to article 13 of the Law Decree 25th July 2005, n. 151 “Implementation of the directive 2002/95/EC, 2002/96/EC and 2003/108/EC, relative to the reduction in the use of dangerous substances in electrical and electronic equipment, as well as the disposal of refuse”.

The crossed refuse bin symbol shown on the equipment or on its packing and also in the following figure, indicates that the product at the end of its useful life must be collected separately from other refuse.



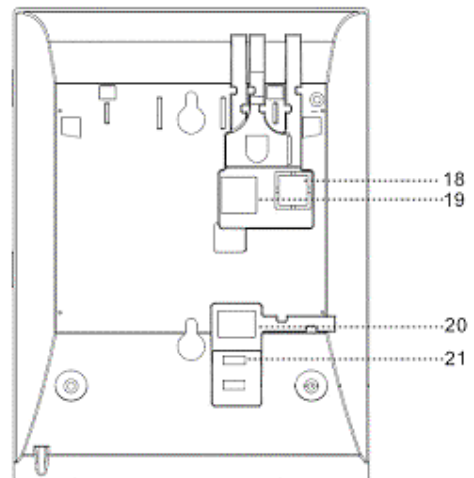
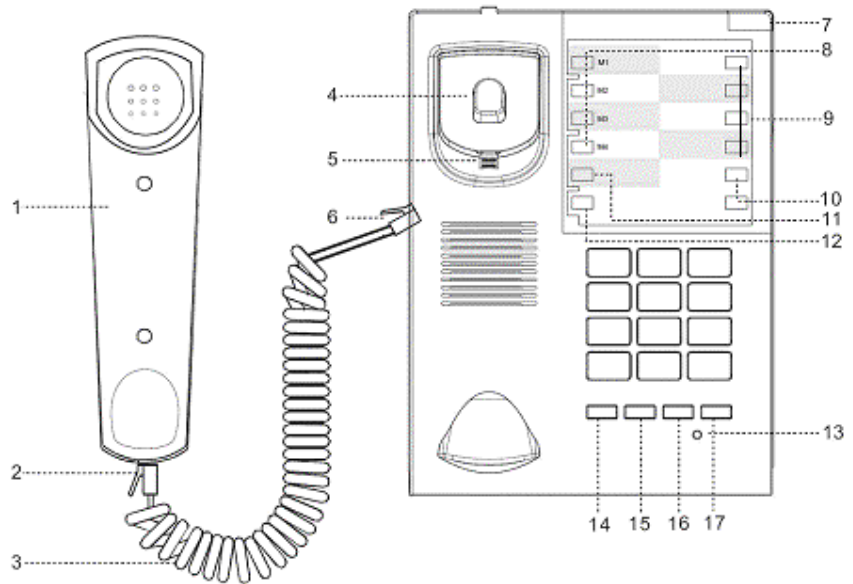
The differential collection of this equipment when it has reached the end of its life-cycle is organized and managed by the supplier. The user that wants to dispose of this equipment must contact the supplier and follow the method that they have adopted for the separated collection of the equipment that has reached the end of its life-cycle.

A suitable separated collection to start off the process of equipment recycling, its treatment and a compatible environmental disposal helps to avoid possible negative effects on the environment and on health, and encourages the reuse and/or recycle of the materials forming the equipment.

The abusive disposal of the product by the owner brings the application of administrative sanctions defined by the laws in force.

Description of ZENYTH 600

1. HANDSET
2. MICROPHONE
3. COIL CORD
4. HOOK SWITCH
5. HANDSET GUIDE
6. HANDSET JACK
7. MESSAGE LED
8. MEMORY KEYS M1...M4
9. FUNCTION KEYS F1...F4
10. VOLUME CONTROL (+/-)
11. MEMORY
12. PROGRAM
13. IN USE LED
14. REDIAL
15. FLASH
16. PAUSE
17. MUTE
18. DATA PORT
19. LINE JACK
20. HANDSET JACK
21. PULSE/TONE SWITCH



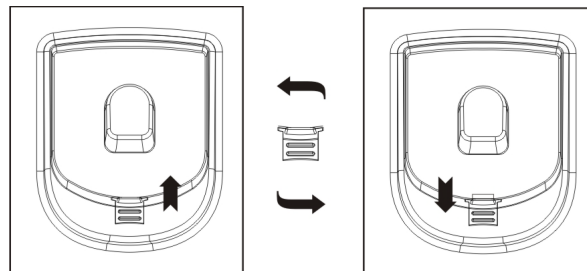
Installation

Telephone installation

1. Connect one end of handset coil cord to the handset base and the other end to the base unit (20).
2. Connect one end of the telephone line cord to the base unit at (19) and the other end to the wall outlet. In case your house is not equipped with a compatible wall outlet, you may need an adaptor, or you should consult your distributor/retailer for assistance.
3. Insert the removable base, running up in the suitable guides.

4. Wall Mount

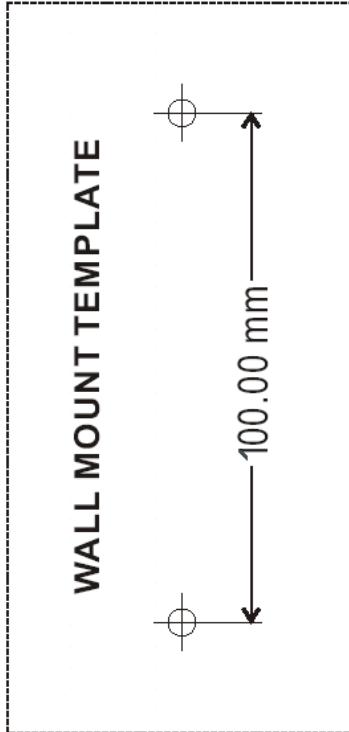
This telephone set can be mounted on wall. To prevent the handset from falling, take out the handset guide, rotate it for 180 degree, and then re-insert it into the original place.



For wall mounting works as follow:

- make on the wall n. 2 holes with a diameter of 5 mm each with an apart distance and minimum distance from the surrounding surfaces, as shown in Figure below,
- insert the 5 mm plugs into the holes
- fasten the screws to the plugs up to 5 mm from the surface of the wall

- position the telephone against the wall over the screws so that the screws heads insert in the larger part of the keyholes cutouts and block the telephone by sliding it down onto the screws.



Main features

In use led indicator

The IN USE LED, red colour, will be turned on during the handset is off-hook.

Message indicator

This indicator blinks during incoming call or signal waiting messages.

Phone Setting

Tone/Pulse dialing mode select

Select Tone or Pulse mode by using the slide switch (21) on the Base Unit. Tone or Pulse Dialing depend on your local Telephone Exchange. Contact your local Telephone Office or your company PABX administrator if you need help.

Volume Control during conversation

During telephone conversation, if you want to adjust the receiving volume, press [+ or -] key to increase/decrease the volume during off-hook state.

The receiving volume will resume to default level after hanging up the phone.

Level	Volume
1	Extra high
2	High
3	Medium-high
4 (Default)	Medium
5	Medium-low
6	Low

Programming ringer tone and volume

The ringer tone and volume can be programmed as follows:

1. Pick up the handset
2. Press PROGRAM (12) button and led (13) will blink
3. Press "#" button
4. Press digits from 0, 1 to 9 to select different ringer tone and volume. The combination is described in the following table:

Digit	Tone	Volume
1	Long pitch	Low
2	Long pitch	Medium
3	Long pitch	High
4	Medium pitch	Low
5	Medium pitch	Medium
6 (Default)	Medium pitch	High
7	Short pitch	Low
8	Short pitch	Medium
9	Short pitch	High
0 (Temporary setting)	None	Off

5. Press PROGRAM (12) button to complete the programming and the led (13) will turn on steady.

REMARKS:

- a) The default setting of your phone is digit [6].
- b) If digit [0 - zero] is programmed, the ringer will be turned off. When you pick up the handset, the ringer will resume to the last setting.

Programming memory

There are 4 One-touch memories [M1...M4] and 10 Two-touch memories digits [0,1...9] for storing frequently used phone numbers.

Following examples show how to store the phone number <89112233> into memory locations [M1...M4] and [0,1...9].

EXAMPLE No. 1 (One-touch memories)

1. Pick up the handset and wait for a dial tone.
2. Press PROGRAM (12) button and the led (13) will blink.
3. Press [M1...M4] button.
4. Dial number <89112233> (up to 21 digits can be stored).
5. Press PROGRAM (12) button to complete the programming and the led (13) will turn on steady.
6. Hang-up.

EXAMPLE No. 2 (Two-touch memories)

1. Pick up the handset and wait for a dial tone.
2. Press PROGRAM (12) button and the led (13) will blink.
3. Press MEMORY (11) button and the digit [0,1...9].
4. Dial number <89112233> (up to 21 digits can be stored).
5. Press PROGRAM (12) button to complete the programming and the led (13) will turn on steady.
6. Hang-up.

You may store multiple pauses [PAUSE (16) button] into memory [M1...M4] buttons.

To store number <45678 PAUSE 123> in [M1...M4]:

1. Pick up the handset and wait for a dial tone.
2. Press PROGRAM (12) button and the led (13) will blink.
3. Press [M1...M4] button.
4. Dial number <45678, PAUSE and 123>
5. Press PROGRAM (12) button to complete the programming and the led (13) will turn on steady.
6. Hang-up.

REMARKS:

- a) During memory programming, you may store multiple pauses into the memory.
 - b) Each pause inserted in the first 5 digits of a number string will add a pause of 2 seconds in dialing, while the pauses inserted after the fifth digit will halt the dialing. This allows users to have longer pauses. They can continue to dial out the remaining numbers in the memory by pressing the PAUSE (16) button once again.
 - c) All programmed memories will be maintained up to 2 minutes if the telephone line is disconnected.
-

Operation at off-hook state

Speed dialing from memory [M1...M4]

Press [**M1...M4**] button. The number stored in the selected location will be dialed out automatically.

Speed dialing from digits [0,1...9]

Press MEMORY (11) button and then press digit [**0,1...9**]. The number stored in the selected location will be dialed out automatically.

Using multifunction keys [F1...F4]

Press **F1...F4** buttons to dial out the specific tone for PBX services programmed by the administrator of the telephone system. If the function is associated to a suffix, press **R + [F1...F4]** button [*R button = FLASH (15)*].

Pause button

Press **PAUSE** (16) button to insert a delay time of 2 seconds in a dialing sequence.

Mute button

During phone conversation, if you do not want the partner to hear your voice, press **MUTE** (17) button and IN USE LED indicator will blink. To resume conversation, press **MUTE** button again and the led indicator (13) will turn on steady.

FLASH (R) button

Press FLASH (R) (15) button to reset the multifrequency register from DTMF post dialing status, used for some PSTN network and PBX services.

Redial button

Press **REDIAL** (14) button to dial out the last phone number which was dialed out by user.

Pulse to Tone

During Pulse Dialing, if you want to switch to Tone Dialing temporarily, press [*] button. All subsequent digits will be dialed in Tone mode. To resume Pulse Dialing replace the handset on hook.

Technical Characteristics

Size: (without phone base support)

Depth	21,4 cm
Width	16,0 cm
Height	3,5 cm

Weight: 0,7 Kg

Operating range:

Temperature	5°C - 40°C
humidity	95% RH max, without condensation

DTMF dialling

Duration	82 ms
Pause	82 ms

Calibrated break: 100 ms +/-2ms
(flash key)

Wall mounting: arranged

SELTA S.p.A.

Via Emilia, 231

29010 Cadeo (PC)

Tel. +39 05235016.1

fax +39 05235016.333

Web site: www.selta.it

SELTA S.p.A.

Via Nazionale, Km 404,500

64018 Tortoreto (TE)

Tel. +39 0861772.511

fax +39 0861772.555

Web site: www.seltatel.it

SELTA España,S.A.

C/ Puerto Guadarrama, 50

Pol. Ind. Las Nieves

28935 Móstoles (Madrid)

España

Tel. +34 916160825

fax: +34 916657759

e-mail: selta@selta.es

Web site: www.selta.es