

# SANYO

FILE .NO

## Service Manual CD Audio System

### DC-SLIM3000 /AU



PRODUCT CODE No.  
1 129 670 00 DC-SLIM3000/AU

### Specifications

AC Power :  
AC 240V, 50 Hz

Power Output :  
10 W / CH 10% THD

Dimensions of Main section :  
723 (W) x 428 (D) x 213 (H) mm (Approx.)

Radio section :  
Tuning : PLL with 32 Random Preset Memory  
Frequency Range :  
FM: 87.5 - 108 MHz  
AM: 522 - 1611 kHz

CD section :  
Vertical Front Loading CD

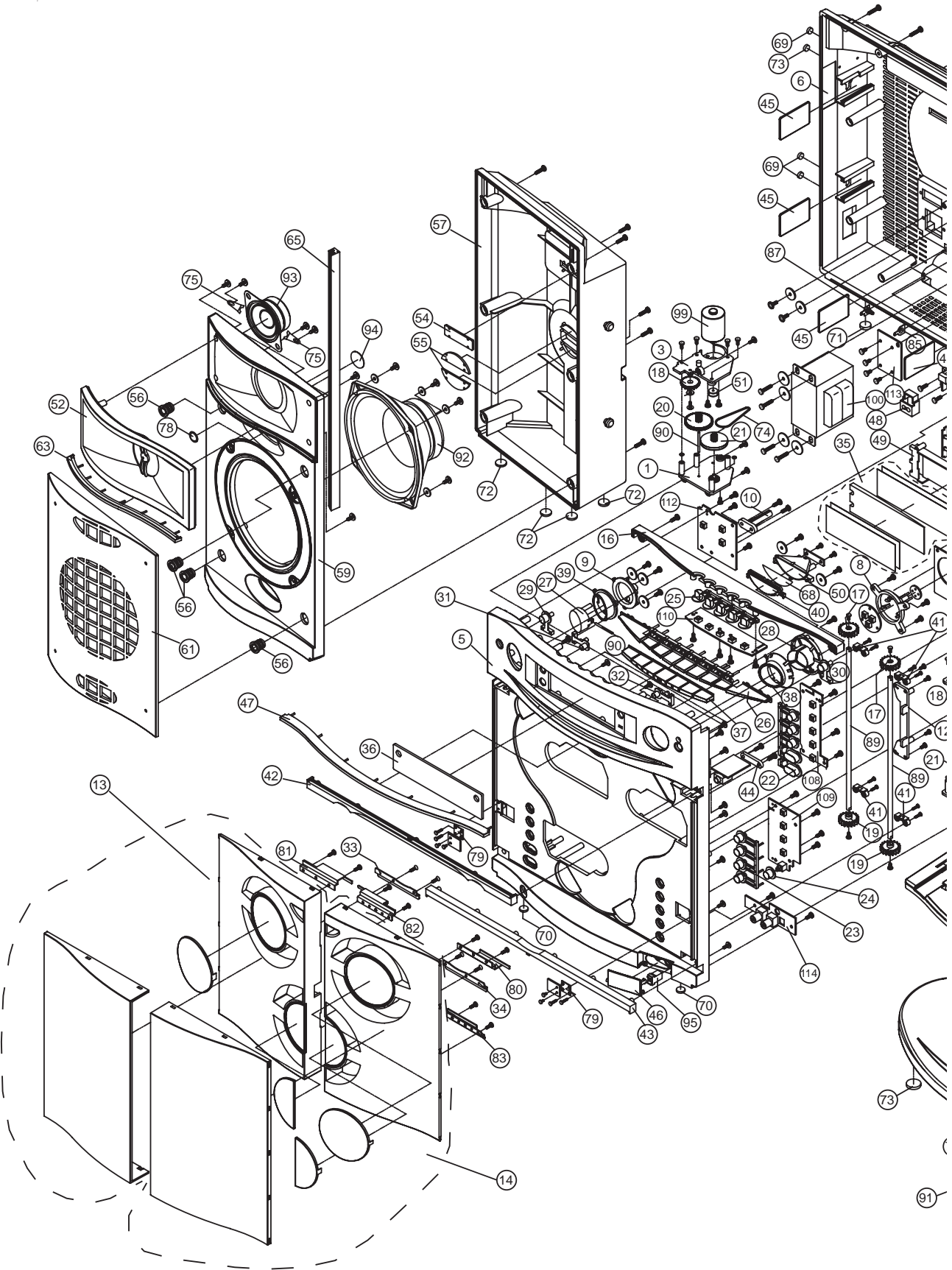
Speaker system :  
Woofer 5 1/4" , 4 ohm  
Tweeter 2" , 4 ohm

Remote control :  
41 keys, Battery size "CR2032"  
(Battery Included)

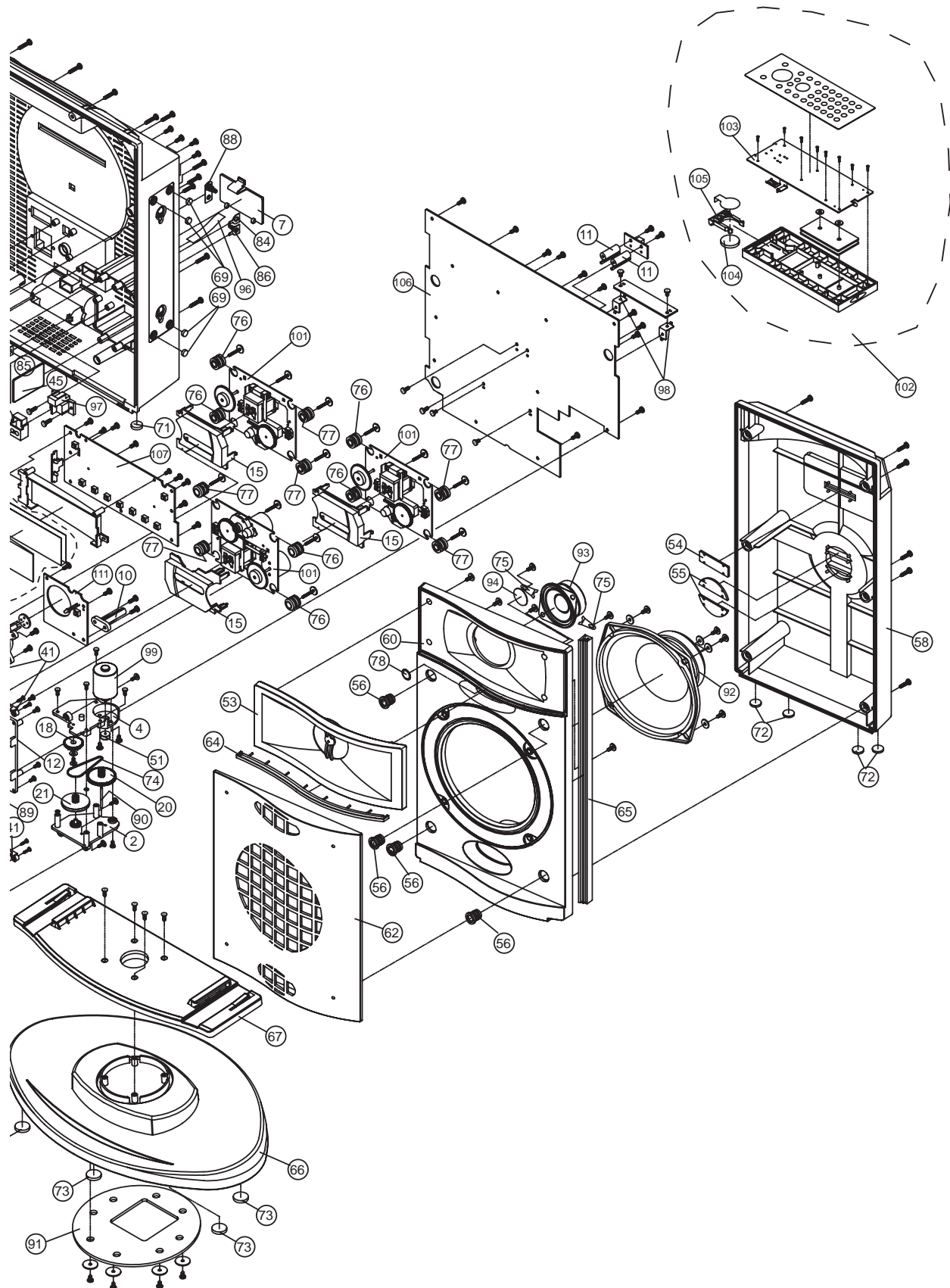
Specifications subject to change without notice.

REFERENCE No. SM0913002

EXPLODED VIEW



# EXPLODED VIEW



# PARTS LIST

## PRODUCT SAFETY NOTICE

EACH PRECAUTION IN THIS MANUAL SHOULD BE FOLLOWED DURING SERVICING. COMPONENTS IDENTIFIED WITH THE IEC SYMBOL  $\triangle$  IN THE PARTS LIST AND THE SCHEMATIC DIAGRAM DESIGNATED COMPONENTS IN WHICH SAFETY CAN BE OF SPECIAL SIGNIFICANCE. WHEN REPLACING A COMPONENT IDENTIFIED BY  $\triangle$ , USE ONLY THE REPLACEMENT PARTS DESIGNATED, OR PARTS WITH THE SAME RATINGS OF RESISTANCE, WATTAGE OR VOLTAGE THAT ARE DESIGNATED IN THE PARTS LIST IN THIS MANUAL. LEAKAGE-CURRENT OR RESISTANCE MEASUREMENTS MUST BE MADE TO DETERMINE THAT EXPOSED PARTS ARE ACCEPTABLY INSULATED FROM THE SUPPLY CIRCUIT BEFORE RETURNING THE PRODUCT TO THE CUSTOMER.

REF NO.	PART NO.	DESCRIPTION	REF NO.	PART NO.	DESCRIPTION
<b>PACKING &amp; ACCESSORIES</b>			42	56-69A30001A000	FIX PLATE TOP
	76-01A300000420	GIFT BOX	43	56-69A30002A000	FIX PLATE BOTTOM
	77-20A300000420	INSTRUCTION MANUAL(E)	44	56-69A300038000	PHONES PRESS SHEE
	45-184330000020	SPK CORD 3.3M (GREY/BLK)	45	56-69A300048000	REAR CAB COVER PLATE
	02-32A200000000	AM LOOP ANT ASS'Y	46	56-69A30005A020	LINE OUT COVER
	44-316445052520	2P WIRE L=4500mm	47	56-71A30000G000	CHROME BAR
<b>FRONT PANEL &amp; CABINET</b>			48	56-81000000B000	AC SOCKET COVER
1	56-02A300018000	MOTOR BOX -L1	49	56-07A300029000	BACK LIGHT LENS BKT
2	56-02A300028000	MOTOR BOX -R1	50	56-07A300039000	MOON LIGHT BKT
3	56-02A300038000	MOTOR BOX -L2	51	56-76M620R00000	MOTOR PULLEY
4	56-02A300048000	MOTOR BOX -R2	52	56-22A30001A000	TWEETER COVER-L
5	56-04A30000A010	FRONT CAB(HIPS)	53	56-22A30002A000	TWEETER COVER-R
6	56-05A300008000	REAR CAB(HIPS)	54	56-69A200068000	SHEET PLATE (A)-SPK BOX
7	56-06A300008000	BATTERY DOOR	55	56-69A200078000	SHEET PLATE (B)-SPK BOX
8	56-07A300000000	SELECT DISC KNOB LENS HLD	56	56-80S16800B000	SPEAKER PANEL STUD BLK
9	56-07A300010000	VOL KNOB LENS HOLDER	57	56-85A200018000	REAR CAB-SPK BOX-L
10	56-07A300048000	PCB BKT (T)	58	56-85A200028000	REAR CAB-SPK BOX-R
11	56-07A300058000	PCB BKT (-)	59	56-85A30000A000	SPEAKER SIDE-L
12	56-07A300068000	DECK BKT	60	56-85A30001A000	SPEAKER SIDE-R
13	AU-56A300000040	CD DOOR-LEFT ASS'Y	61	56-86A30000B000	SPEAKER NET BKT-L
14	AU-56A300000050	CD DOOR-RIGHT ASS'Y	62	56-86A30001B000	SPEAKER NET BKT-R
15	56-15MS0661B000	LASER COVER	63	56-87A30002G000	SPEAKER PANEL BAR-L
16	56-22A30000A000	TOP COVER	64	56-87A30003G000	SPEAKER PANEL BAR-R
17	56-37A300000000	TRANSITION GEAR-A	65	56-87A30004A000	SPK BOX BAR
18	56-37A300010000	MOTOR GEAR-1	66	56-80A300008000	BOTTOM BASE
19	56-37A300040000	TRANSITION GEAR-B	67	56-80A300018000	BOTTOM BASE BKT
20	56-37A300050000	MOTOR GEAR-2	68	57-26A300000020	FILTER SHEET(MOOD LIGHT)
21	56-37A300060000	MOTOR GEAR-3	69	58-262702250020	RUBBER FOOT
22	56-54A30000A000	EQ KNOB GROUP(1)5KEY	70	58-262952200020	HARD RUBBER FOOT
23	56-54A30001A000	EQ KNOB GROUP(2)4KEY	71	58-263122300020	HARD RUBBER FOOT
24	56-54A30002A000	IN LINE OUT KNOB	72	58-263122200120	HARD RUBBER FOOT
25	56-54A30003A000	FUN.KNOB GROUP 5KEY	73	58-263162300020	HARD RUBBER FOOT
26	56-54A30004G000	CD KNOB GROUP 9KEY	74	58-43A300000020	DRIVE BELT
27	56-54A30005G020	VOL KNOB	75	61-90MS73300020	SPEAKER CLIP
28	56-54A30006G020	SELECT DISC KNOB	76	58-61M520R02120	SHOCK ABSORBER(PINK)
29	56-54A30007G000	CD DOOR OPEN KNOB	77	58-61M620R00120	SHOCK ABSORBER(BLACK)
30	56-54A30008G000	POWER KNOB	78	58-653120000020	SILVER CAP DIA 12.5MM
31	56-54A30009G000	MODE LIGHT KNOB	79	61-11A300000020	FIX PLATE
32	56-54A3000AG000	BACKLIGHT KNOB	80	61-11A300000120	CD DOOR BKT-1
33	61-11A300000520	IRON BKT-L	81	61-11A300000220	CD DOOR BKT-2
34	61-11A300000620	IRON BKT-R	82	61-11A300000320	CD DOOR BKT-3
35	AU-56A300000060	BACK LIGHT LENS ASS'Y	83	61-11A300000420	CD DOOR BKT-4
36	56-57A300030030	DISPLAY LENS	84	61-256600000020	BATTERY CONTACT PLATE(+)
37	56-57A300040000	CD KNOB LENS 7KEY	85	61-25A160000020	BATTERY PLATE(+)
38	56-57A300050000	SELECT DISC KNOB LENS	86	61-266600000020	BATTERY CONTACT SPRING(-)
39	56-57A300060000	VOL KNOB LENS	87	61-26A160000020	BATTERY SPRING PLATE(-)
40	56-57A300070000	MOON LIGHT LENS	88	61-26SX88000022	BATTERY SPRING (+ -)
			89	61-65A300000020	MOTOR SHAFT-A L=216.6mm

# PARTS LIST

REF NO.	PART NO.	DESCRIPTION	REF NO.	PART NO.	DESCRIPTION
90	61-65A300000120	MOTOR SHAFT-B L=26mm	C157	25-013150930121	CERAMIC CAP 15PF 50V
91	61-37M620R00020	METAL PLATE T=3mm	C158	25-013150930121	CERAMIC CAP 15PF 50V
92	19-031153150020	SPEAKER 5.25"15W 4 OHM	C159	25-017100960121	CERAMIC CAP 0.1UF 50V
93	19-032053100320	TWEETER 2"10W 4 OHM	C161	25-017100960121	CERAMIC CAP 0.1UF 50V
94	19-100310000020	POCKET BUZZER DIA=20mm	C163	25-017100960121	CERAMIC CAP 0.1UF 50V
95	41-210240010010	DOOR LOCK (LUCKY FIRST)	C164	25-017100960121	CERAMIC CAP 0.1UF 50V
96	79-090101040000	RIBBON (BLACK) W=10mm	C165	25-017100960121	CERAMIC CAP 0.1UF 50V
97	△ 43-520300000001	AC SOCKET VDE APP	C167	25-017100960121	CERAMIC CAP 0.1UF 50V
98	61-25SCD6600020	CONTACT PLATE	C168	25-017100960121	CERAMIC CAP 0.1UF 50V
<b>ELECTRICAL PARTS</b>			C170	25-017100960121	CERAMIC CAP 0.1UF 50V
99	58-44X200000020	CD MOTOR MXN-13FB12F	C172	25-017100960121	CERAMIC CAP 0.1UF 50V
100	△ 18-206A30001120	TRANSFORMER 240V 12.5V	C173	25-017100960121	CERAMIC CAP 0.1UF 50V
	△ 45-124200600060	AC CORD SET SAA APP 2M	C175	25-017100960121	CERAMIC CAP 0.1UF 50V
<b>CD MECANISM ASSY</b>			C179	25-017100960121	CERAMIC CAP 0.1UF 50V
101	20-70CMSB35BG60	CD MECHANISM CMS-B35BG6	C180	26-014221050121	E.CAP 2.2UF 50V
<b>REMOTE CONTROL ASSY</b>			C181	26-014221050121	E.CAP 2.2UF 50V
102	02-17A300000011	REMOTE CONTROL ASSY	C182	25-017100960121	CERAMIC CAP 0.1UF 50V
103	05-13A300000000	REMOTE BOARD ASSY	C188	25-017100960121	CERAMIC CAP 0.1UF 50V
104	51-021301000050	LITHIUM BATTERY CR2032	C189	25-017100960121	CERAMIC CAP 0.1UF 50V
105	56-44A16000A000	REMOTE BATT DOOR	C190	25-017100960121	CERAMIC CAP 0.1UF 50V
<b>MAIN PCB ASSY</b>			C193	25-017100960121	CERAMIC CAP 0.1UF 50V
106	05-01A300000120	MAIN BOARD ASSY	C196	25-016470960121	CERAMIC CAP 0.047UF 50V
C104	25-014100930121	CERAMIC CAP 100PF 50V	C197	25-016470960121	CERAMIC CAP 0.047UF 50V
C105	25-036150930121	MYLAR CAP 0.015UF 50V	C198	25-014470930121	CERAMIC CAP 470PF 50V
C107	25-036100930121	MYLAR CAP 0.01UF 50V	C199	25-014470930121	CERAMIC CAP 470PF 50V
C108	25-035270930121	MYLAR CAP 0.0027UF 50V	C201	25-013300930121	CERAMIC CAP 30PF 50V
C109	25-035270930121	MYLAR CAP 0.0027UF 50V	C202	25-013300930121	CERAMIC CAP 30PF 50V
C112	25-036330930121	MYLAR CAP 0.033UF 50V	C203	25-013470930121	CERAMIC CAP 47PF 50V
C115	25-017100960121	CERAMIC CAP 0.1UF 50V	C207	25-023120930121	CERAMIC CAP 12PF 50V
C116	25-036470930121	MYLAR CAP 0.047UF 50V	C210	25-013200930121	CERAMIC CAP 20PF 50V
C119	25-036470930121	MYLAR CAP 0.047UF 50V	C212	25-014100930121	CERAMIC CAP 100PF 50V
C123	25-017100960121	CERAMIC CAP 0.1UF 50V	C214	25-017100960121	CERAMIC CAP 0.1UF 50V
C124	25-017100960121	CERAMIC CAP 0.1UF 50V	C216	25-017100960121	CERAMIC CAP 0.1UF 50V
C125	25-017100960121	CERAMIC CAP 0.1UF 50V	C220	25-017100960121	CERAMIC CAP 0.1UF 50V
C126	25-013150930121	CERAMIC CAP 15PF 50V	C224	25-016100960121	CERAMIC CAP 0.01UF 50V
C127	25-013150930121	CERAMIC CAP 15PF 50V	C227	25-014390930121	CERAMIC CAP 390PF 50V
C129	25-017100960121	CERAMIC CAP 0.1UF 50V	C228	25-017100960121	CERAMIC CAP 0.1UF 50V
C132	25-017100960121	CERAMIC CAP 0.1UF 50V	C230	26-014101050121	E.CAP 1UF 50V
C133	25-017100960121	CERAMIC CAP 0.1UF 50V	C234	25-016100960121	CERAMIC CAP 0.01UF 50V
C134	25-017100960121	CERAMIC CAP 0.1UF 50V	C235	25-017100960121	CERAMIC CAP 0.1UF 50V
C135	25-017100960121	CERAMIC CAP 0.1UF 50V	C237	25-035100930121	MYLAR CAP 0.001UF 50V
C136	25-017100960121	CERAMIC CAP 0.1UF 50V	C238	25-035470930121	MYLAR CAP 0.0047UF 50V
C137	25-017100960121	CERAMIC CAP 0.1UF 50V	C239	26-014101050121	E.CAP 1UF 50V
C142	25-035470930121	MYLAR CAP 0.0047UF 50V	C240	26-014101050121	E.CAP 1UF 50V
C143	25-012100930121	CERAMIC CAP 1PF 50V	C241	26-014101050121	E.CAP 1UF 50V
C144	25-077100930121	MONO CAP 0.1UF 50V	C242	25-017100960121	CERAMIC CAP 0.1UF 50V
C145	25-077100930121	MONO CAP 0.1UF 50V	C243	25-016100960121	CERAMIC CAP 0.01UF 50V
C146	25-077100930121	MONO CAP 0.1UF 50V	C244	25-016100960121	CERAMIC CAP 0.01UF 50V
C147	25-077100930121	MONO CAP 0.1UF 50V	C245	25-017100960121	CERAMIC CAP 0.1UF 50V
C148	25-013560930121	CERAMIC CAP 56PF 50V	C247	26-014221050121	E.CAP 2.2UF 50V
C149	25-017100960121	CERAMIC CAP 0.1UF 50V	C248	26-014221050121	E.CAP 2.2UF 50V
C150	25-017100960121	CERAMIC CAP 0.1UF 50V	C250	25-016100960121	CERAMIC CAP 0.01UF 50V
C151	25-017100960121	CERAMIC CAP 0.1UF 50V	C251	25-017100960121	CERAMIC CAP 0.1UF 50V
C155	25-017100960121	CERAMIC CAP 0.1UF 50V	C252	25-023200930121	CERAMIC CAP 20PF 50V
C156	25-037330930121	MYLAR CAP 0.33UF 50V	C253	25-023200930121	CERAMIC CAP 20PF 50V
			C254	25-014100930121	CERAMIC CAP 100PF 50V
			C255	25-014100930121	CERAMIC CAP 100PF 50V
			C256	25-014100930121	CERAMIC CAP 100PF 50V
			C259	25-016100960121	CERAMIC CAP 0.01UF 50V

# PARTS LIST

REF NO.	PART NO.	DESCRIPTION	REF NO.	PART NO.	DESCRIPTION
C260	26-014101050121	E.CAP 1UF 50V	C705	26-017680850121	E.CAP 6800UF 25V
C261	26-014221050121	E.CAP 2.2UF 50V	C710	25-077100930121	MONO CAP 0.1UF 50V
C262	25-016100960121	CERAMIC CAP 0.01UF 50V	C711	25-077100930121	MONO CAP 0.1UF 50V
C264	26-014101050121	E.CAP 1UF 50V	C712	25-077100930121	MONO CAP 0.1UF 50V
C272	25-014680930121	CERAMIC CAP 680PF 50V	C713	25-077100930121	MONO CAP 0.1UF 50V
C273	25-014680930121	CERAMIC CAP 680PF 50V	C717	25-015100960121	CERAMIC CAP 0.001UF 50V
C290	26-013221050111	E.CAP 0.22UF 50V	C721	25-015100960121	CERAMIC CAP 0.001UF 50V
C301	26-014471050121	E.CAP 4.7UF 50V	C723	26-014221050121	E.CAP 2.2UF 50V
C302	26-014471050121	E.CAP 4.7UF 50V	C724	26-014221050121	E.CAP 2.2UF 50V
C303	26-014221050121	E.CAP 2.2UF 50V	C730	25-016100960121	CERAMIC CAP 0.01UF 50V
C304	25-036470930121	MYLAR CAP 0.047UF 50V	C735	25-014470930121	CERAMIC CAP 470PF 50V
C305	25-036100930121	MYLAR CAP 0.01UF 50V	C737	25-017100960121	CERAMIC CAP 0.1UF 50V
C306	26-014471050121	E.CAP 4.7UF 50V	CF202	31-028107000120	CERAMIC FILTER 10.7MA5-A
C307	25-035150930121	MYLAR CAP 0.0015UF 50V	CF204	31-026450010110	CERAMIC FILTER SFU450B
C308	25-077100930121	MONO CAP 0.1UF 50V	CF205	31-038107000120	FILTER JT10.7MG82-A
C309	26-014471050121	E.CAP 4.7UF 50V	CN101	44-022275066020	16P FLAT FLEX CABLE
C310	26-014471050121	E.CAP 4.7UF 50V	CN102	44-022275066020	16P FLAT FLEX CABLE
C311	26-014221050121	E.CAP 2.2UF 50V	CN103	44-022320066020	16P FLAT FLEX CABLE
C312	26-014221050121	E.CAP 2.2UF 50V	CN104	43-012200160120	WAFER 2mm 6P 180C
C313	26-014471050121	E.CAP 4.7UF 50V	CN105	43-012200160120	WAFER 2mm 6P 180C
C314	26-014471050121	E.CAP 4.7UF 50V	CN106	43-012200160120	WAFER 2mm 6P 180C
C315	25-077100930121	MONO CAP 0.1UF 50V	CN107	43-012200120120	WAFER 2mm 2P 180C
C316	25-035150930121	MYLAR CAP 0.0015UF 50V	CN108	43-012200120120	WAFER 2mm 2P 180C
C317	26-014471050121	E.CAP 4.7UF 50V	CN109	43-012200120120	WAFER 2mm 2P 180C
C318	25-036100930121	MYLAR CAP 0.01UF 50V	CN201	43-012250120120	WAFER 2.5mm 2P 180C
C319	25-036470930121	MYLAR CAP 0.047UF 50V	CN301	44-565330056620	6P SHIELD WIRE L=300mm
C320	26-014221050121	E.CAP 2.2UF 50V	CN601	44-022318079020	29P FLAT FLEX CABLE
C321	26-014221050121	E.CAP 2.2UF 50V	CN701	43-022250130120	WAFER 2.5mm 3P 90C
C322	26-014221050121	E.CAP 2.2UF 50V	CN702	43-022250150120	WAFER 2.5mm 5P 90C
C324	25-017100960121	CERAMIC CAP 0.1UF 50V	CON601	43-012100229320	FFC.WAFER 1mm 29P 180C
C325	26-017100650121	E.CAP 1000UF 10V	CT201	27-501602202020	TRIMMER 20PF(RED)
C327	25-017100960121	CERAMIC CAP 0.1UF 50V	CW302	44-315310053620	3P WIRE L=100mm
C328	26-014221050121	E.CAP 2.2UF 50V	CW701	44-316332053321	3P WIRE L=320mm
C329	26-014221050121	E.CAP 2.2UF 50V	CW702	44-316320055320	5P WIRE L=200mm
C330	26-014471050121	E.CAP 4.7UF 50V	D101	12-1N4148000021	DIODE 1N4148
C331	25-017100960121	CERAMIC CAP 0.1UF 50V	D103	12-1N4148000021	DIODE 1N4148
C332	26-014471050121	E.CAP 4.7UF 50V	D206	12-1N4148000021	DIODE 1N4148
C333	26-014221050121	E.CAP 2.2UF 50V	D601	12-1N4148000021	DIODE 1N4148
C334	26-014221050121	E.CAP 2.2UF 50V	D606	12-1N4148000021	DIODE 1N4148
C337	25-017100960121	CERAMIC CAP 0.1UF 50V	D701	12-1N5401000021	RECTIFIER DIODE 1N540
C340	26-014221050121	E.CAP 2.2UF 50V	D702	12-1N5401000021	RECTIFIER DIODE 1N540
C341	26-014221050121	E.CAP 2.2UF 50V	D703	12-1N5401000021	RECTIFIER DIODE 1N540
C342	26-014221050121	E.CAP 2.2UF 50V	D704	12-1N5401000021	RECTIFIER DIODE 1N540
C344	25-035100930121	MYLAR CAP 0.001UF 50V	D706	12-1N5822000021	RECTIFIER DIODE 1N5822
C345	26-017100650121	E.CAP 1000UF 10V	F1	△ 46-055630300010	GLASS FUSE T6.3A/250V
C346	26-014471050121	E.CAP 4.7UF 50V	IC101	16-TC94A09F1021	IC TC94A09F-003
C347	25-017100960121	CERAMIC CAP 0.1UF 50V	IC102	16-TA2153FN0021	IC TA2153FN
C348	25-035100930121	MYLAR CAP 0.001UF 50V	IC103	16-TC94A0200021	IC TC94A02F-007
C349	25-035100930121	MYLAR CAP 0.001UF 50V	IC104	16-BA6898FP0021	IC BA6898FP
C350	25-035100930121	MYLAR CAP 0.001UF 50V	IC105	16-BA6898FP0021	IC BA6898FP
C356	25-077100930121	MONO CAP 0.1UF 50V	IC106	16-BA6898FP0021	IC BA6898FP
C357	25-014680930121	CERAMIC CAP 680PF 50V	IC107	16-IS62LV100021	IC IS62LV1024LL-55T
C358	25-014680930121	CERAMIC CAP 680PF 50V	IC108	16-HEF4052B0021	IC HEF4052BT
C359	25-077100930121	MONO CAP 0.1UF 50V	IC109	16-HEF4052B0021	IC HEF4052BT
C603	25-017100960121	CERAMIC CAP 0.1UF 50V	IC110	16-HEF4052B0021	IC HEF4052BT
C701	25-016470960121	CERAMIC CAP 0.047UF 50V	IC111	16-HEF4052B0021	IC HEF4052BT
C702	25-016470960121	CERAMIC CAP 0.047UF 50V	IC112	16-HEF4052B0021	IC HEF4052BT
C703	25-016470960121	CERAMIC CAP 0.047UF 50V	IC113	16-HEF4052B0021	IC HEF4052BT
C704	25-016470960121	CERAMIC CAP 0.047UF 50V	IC114	16-HEF4052B0021	IC HEF4052BT

PARTS LIST

REF NO.	PART NO.	DESCRIPTION	REF NO.	PART NO.	DESCRIPTION
IC116	16-TA7291S00021	IC TA7291S	Q311	11-9014C0000021	NPN TRANSISTORS 9014C
IC201	16-TA8176SN00021	IC TA8176SN	Q312	11-9014C0000021	NPN TRANSISTORS 9014C
IC202	16-TA2099N00021	IC TA2099N	Q601	11-8050C0000021	TRANSISTORS 2W8050C
IC203	16-TC9257F00021	IC TC9257F	Q602	11-9014C0000021	NPN TRANSISTORS 9014C
IC301	16-TC9421F00021	IC TC9421F	Q701	11-9014C0000021	NPN TRANSISTORS 9014C
IC302	16-SC5387000021	IC SC5387	Q702	11-2SD1936T0021	TRANSISTORS 2SD1936T-SSH
IC303	16-KA7810000021	IC KA7810	Q703	11-2SD1936T0021	TRANSISTORS 2SD1936T-SSH
IC701	16-LA4725000021	IC LA4725	Q704	11-2SD1936T0021	TRANSISTORS 2SD1936T-SSH
IC702	16-MC34063A00021	IC MC34063A	Q705	11-KSB772YS0021	TRANSISTORS KSB772YS
JK301	43-451100006020	RCA JACK 1P(WHITE)	Q706	11-9014C0000021	NPN TRANSISTORS 9014C
JK302	43-451100005020	RCA JACK 1P(RED)	Q708	11-2SD1936T0021	TRANSISTORS 2SD1936T-SSH
JK303	43-451100013020	RCA JACK 1P (BLK)	S1	41-071100020020	MICRO SWITCH 1120B
JK701	43-431360006020	PH 3.6mm JY353507001	S2	41-071100020020	MICRO SWITCH 1120B
JK702	43-441400001020	SPK JACK UIC-134V	S3	41-071100020020	MICRO SWITCH 1120B
L201	40-351500135020	FM COIL 5x3.5T (0.8mm)	S4	41-071100020020	MICRO SWITCH 1120B
L202	40-351500135020	FM COIL 5x3.5T (0.8mm)	S5	41-160040000020	V/TACT SWITCH
L203	40-351500125020	FM COIL 5x2.5T (0.8mm)	T201	40-017400003020	I.F.T 10mm 740 (ORANGE)
L301	38-013100050220	AXIAL INDUCTOR 10UH 500mA	T202	40-09A049004020	I.F.T 6.5mm A049 (YELLOW)
L302	38-013100050220	AXIAL INDUCTOR 10UH 500mA	T203	40-01660R002020	I.F.T 10mm 660R (RED)
L303	38-013100050220	AXIAL INDUCTOR 10UH 500mA	T204	40-01312B000020	I.F.T 10mm 312B (BLACK)
L701	38-103100050320	CHOKE COIL 10UH	VD201	12-1SV101000021	VARICAP DIODE 1SV-101
L702	38-103100050320	CHOKE COIL 10UH	VD202	12-1SV101000021	VARICAP DIODE 1SV-101
L703	38-103100050320	CHOKE COIL 10UH	VD203	12-1SV149000021	VARICAP DIODE 1SV-149
L704	38-103100050320	CHOKE COIL 10UH	VD204	12-1SV149000021	VARICAP DIODE 1SV-149
L705	38-013100050220	AXIAL INDUCTOR 10UH 500mA	VR701	22-810083100020	H/SEMI-FIXED 8mm B100
L706	38-013100050220	AXIAL INDUCTOR 10UH 500mA	VR702	22-810083100020	H/SEMI-FIXED 8mm B100
L707	38-013100050220	AXIAL INDUCTOR 10UH 500mA	VR703	22-810083100120	V/SEMI-FIXED 8mm 100
L708	38-013100050220	AXIAL INDUCTOR 10UH 500mA	X101	31-018169302010	CRYSTAL 16.9344MHZ
L709	38-013100050220	AXIAL INDUCTOR 10UH 500mA	X102	31-018169302010	CRYSTAL 16.9344MHZ
L710	38-104230050020	CHOKE COIL 230UH	X201	31-017720002020	CRYSTAL 49U 7.2MHZ
LED601	13-011196021020	LED LAMP (BLUE)	ZD101	12-011390320121	ZENER DIODE 3.9V 1/2W
Q102	11-9015C0000021	PNP TRANSISTORS 9015C	ZD201	12-011620320121	ZENER DIODE 6.2V 1/2W
Q104	11-9015C0000021	PNP TRANSISTORS 9015C	ZD301	12-011820320121	ZENER DIODE 8.2V 1/2W
Q106	11-9015C0000021	PNP TRANSISTORS 9015C	ZD601	12-011620320121	ZENER DIODE 6.2V 1/2W
Q113	11-8050C0000021	TRANSISTORS 2W8050C	ZD701	12-011560320121	ZENER DIODE 5.6V 1/2W
Q116	11-2SD1936T0021	TRANSISTORS 2SD1936T-SSH		12-1N5819000021	RECTIFIER DIODE 1N5819
Q202	11-9015C0000021	PNP TRANSISTORS 9015C		12-1N5819000021	RECTIFIER DIODE 1N5819
Q203	11-9014C0000021	NPN TRANSISTORS 9014C		12-1N5819000021	RECTIFIER DIODE 1N5819
Q204	11-9014C0000021	NPN TRANSISTORS 9014C		43-012100216120	F.F.C.WAFER 1mm 16P 180C
Q205	11-9014C0000021	NPN TRANSISTORS 9014C		43-022100216120	F.F.C.WAFER 1mm 16P 90C
Q206	11-9014C0000021	NPN TRANSISTORS 9014C		43-012100216120	F.F.C.WAFER 1mm 16P 180C
Q207	11-9014C0000021	NPN TRANSISTORS 9014C		43-012200160120	WAFER 2mm 6P 180C
Q208	11-9014C0000021	NPN TRANSISTORS 9014C		32-042222130120	FERRITE CORE
Q209	11-9014C0000021	NPN TRANSISTORS 9014C			
Q210	11-9014C0000021	NPN TRANSISTORS 9014C			
Q211	11-9015C0000021	PNP TRANSISTORS 9015C			
Q214	11-9014C0000021	NPN TRANSISTORS 9014C			
Q215	11-9014C0000021	NPN TRANSISTORS 9014C			
Q216	11-9014C0000021	NPN TRANSISTORS 9014C			
Q301	11-9014C0000021	NPN TRANSISTORS 9014C			
Q302	11-9015C0000021	PNP TRANSISTORS 9015C			
Q303	11-9014C0000021	NPN TRANSISTORS 9014C			
Q304	11-9014C0000021	NPN TRANSISTORS 9014C			
Q305	11-9014C0000021	NPN TRANSISTORS 9014C			
Q306	11-2SD1936T0021	TRANSISTORS 2SD1936T-SSH			
Q307	11-2SD1936T0021	TRANSISTORS 2SD1936T-SSH			
Q308	11-9014C0000021	NPN TRANSISTORS 9014C			
Q309	11-9014C0000021	NPN TRANSISTORS 9014C			
Q310	11-9015C0000021	PNP TRANSISTORS 9015C			
<b>DISPLAY PCB ASS'Y</b>					
			107	05-04A300000000	DISPLAY BOARD ASS'Y
			C407	25-013220934221	CHIP CAPACITOR 22PF 50V
			C408	25-013680934221	CHIP CAP 68PF 50V
			C409	25-013200934221	CHIP CAPACITOR 20PF 50V
			C410	25-013200934221	CHIP CAPACITOR 20PF 50V
			C412	25-013220934221	CHIP CAPACITOR 22PF 50V
			CN1	43-022200130120	WAFER 2mm 3P 90C
			CN2	43-022200160120	WAFER 2mm 6P 90C
			CN3	43-022200130120	WAFER 2mm 3P 90C
			CN6	43-022200120120	WAFER 2mm 2P 90C
			CN302	43-022200130120	WAFER 2mm 3P 90C
			CON301	43-022200160120	WAFER 2mm 6P 90C
			CON401	43-012100229220	SMD FFC.WAFER 1mm 29P
			CW1	44-315310053620	3P WIRE L=100mm

## PARTS LIST

REF NO.	PART NO.	DESCRIPTION	REF NO.	PART NO.	DESCRIPTION
CW2	44-315310056621	6P WIRE L=100mm	R462	21-204547062325	CHIP RESISTORS 47K 1/10W
D401	12-1N4148000021	DIODE 1N4148	R463	21-203410062225	CHIP RESISTORS 1K 1/16W
D402	12-1N4148000021	DIODE 1N4148	R464	21-203618062225	CHIP RESISTORS 180K 1/16W
D403	12-1N4148000021	DIODE 1N4148	R465	21-203510062225	CHIP RESISTORS 10K 1/16W
D404	12-1N5819000021	RECTIFIER DIODE 1N5819	R466	21-203547062225	CHIP RESISTORS 47K 1/16W
D405	12-1N4148000021	DIODE 1N4148	R501	21-203347062225	CHIP RESISTORS 470 1/16W
IC601	16-TMP87PP23021	IC TMP87PP23F (OTP)	R502	21-203368062225	CHIP RESISTORS 680 1/16W
JK703	43-531800001120	DC JACK (UL APP)	R503	21-203543062225	CHIP RESISTORS 43K 1/16W
LCD	13-05A300000020	LCD DISPLAY FDA131DP	R504	21-203527062225	CHIP RESISTORS 27K 1/16W
LED401	13-011202211020	LED LAMP 2x5mm (RED)	R505	21-203582062225	CHIP RESISTORS 82K 1/16W
LED402	13-011306422020	LED LAMP 3mm (S.BLUE)	R506	21-203456062225	CHIP RESISTORS 5.6K 1/16W
LED403	13-011306422020	LED LAMP 3mm (S.BLUE)	R507	21-203475062225	CHIP RESISTORS 7.5K 1/16W
LED501	13-011306422020	LED LAMP 3mm (S.BLUE)	R508	21-203468062225	CHIP RESISTORS 6.8K 1/16W
LED502	13-011306422020	LED LAMP 3mm (S.BLUE)	R509	21-203439062225	CHIP RESISTORS 3.9K 1/16W
LED503	13-011292121020	LED LAMP MSC32D-C(RED)	R510	21-203615062225	CHIP RESISTORS 150K 1/16W
Q401	11-MMBT39060021	TRANSISTORS MMBT3906LT1	R511	21-203475062225	CHIP RESISTORS 7.5K 1/16W
Q402	11-MMBT39060021	TRANSISTORS MMBT3906LT1	R512	21-203422062225	CHIP RESISTORS 2.2K 1/16W
Q403	11-9015C0000021	PNP TRANSISTORS 9015C	R513	21-203427062225	CHIP RESISTORS 2.7K 1/16W
Q404	11-MMBT39040021	TRANSISTORS MMBT3904LT1	R514	21-203518062225	CHIP RESISTORS 18K 1/16W
Q406	11-MMBT39040021	TRANSISTORS MMBT3904LT1	R515	21-203430062225	CHIP RESISTORS 3K 1/16W
Q407	11-MMBT39040021	TRANSISTORS MMBT3904LT1	R516	21-203543062225	CHIP RESISTORS 43K 1/16W
Q408	11-MMBT39040021	TRANSISTORS MMBT3904LT1	R517	21-203527062225	CHIP RESISTORS 27K 1/16W
R409	21-203547062225	CHIP RESISTORS 47K 1/16W	R518	21-203347062225	CHIP RESISTORS 470 1/16W
R410	21-203547062225	CHIP RESISTORS 47K 1/16W	R519	21-203368062225	CHIP RESISTORS 680 1/16W
R411	21-203412062225	CHIP RESISTORS 1.2K 1/16W	R521	21-203439062225	CHIP RESISTORS 3.9K 1/16W
R412	21-203515062225	CHIP RESISTORS 15K 1/16W	R522	21-203222062225	CHIP RESISTORS 22 1/16W
R413	21-203456062225	CHIP RESISTORS 5.6K 1/16W	REM401	17-05FM60380010	OPTIC SENSER FM-6038TM2
R414	21-203443062225	CHIP RESISTORS 4.3K 1/16W	S501	41-180010030020	PUSH SWITCH(W/LOCK)
R415	21-203443062225	CHIP RESISTORS 4.3K 1/16W	SW401	41-150010030020	TACT SWITCH 4LEGS
R416	21-203456062225	CHIP RESISTORS 5.6K 1/16W	SW402	41-150010030020	TACT SWITCH 4LEGS
R417	21-203456062225	CHIP RESISTORS 5.6K 1/16W	SW403	41-150010030020	TACT SWITCH 4LEGS
R418	21-203522062225	CHIP RESISTORS 22K 1/16W	SW404	41-150010030020	TACT SWITCH 4LEGS
R419	21-203515062225	CHIP RESISTORS 15K 1/16W	SW405	41-150010030020	TACT SWITCH 4LEGS
R427	21-203510062225	CHIP RESISTORS 10K 1/16W	SW406	41-150010030020	TACT SWITCH 4LEGS
R428	21-203510062225	CHIP RESISTORS 10K 1/16W	SW407	41-150010030020	TACT SWITCH 4LEGS
R429	21-203510062225	CHIP RESISTORS 10K 1/16W	SW408	41-150010030020	TACT SWITCH 4LEGS
R430	21-203510062225	CHIP RESISTORS 10K 1/16W	SW409	41-150010030020	TACT SWITCH 4LEGS
R431	21-203410062225	CHIP RESISTORS 1K 1/16W	SW501	41-150010030020	TACT SWITCH 4LEGS
R432	21-203410062225	CHIP RESISTORS 1K 1/16W	SW502	41-150010030020	TACT SWITCH 4LEGS
R433	21-203410062225	CHIP RESISTORS 1K 1/16W	SW503	41-150010030020	TACT SWITCH 4LEGS
R434	21-203410062225	CHIP RESISTORS 1K 1/16W	SW504	41-150010030020	TACT SWITCH 4LEGS
R435	21-203418062225	CHIP RESISTORS 1.8K 1/16W	SW505	41-150010030020	TACT SWITCH 4LEGS
R436	21-203447062225	CHIP RESISTORS 4.7K 1/16W	SW506	41-150010030020	TACT SWITCH 4LEGS
R437	21-203420062225	CHIP RESISTORS 2K 1/16W	SW507	41-150010030020	TACT SWITCH 4LEGS
R438	21-203430062225	CHIP RESISTORS 3K 1/16W	SW508	41-150010030020	TACT SWITCH 4LEGS
R446	21-203310062225	CHIP RESISTORS 100 1/16W	SW509	41-150010030020	TACT SWITCH 4LEGS
R447	21-203510062225	CHIP RESISTORS 10K 1/16W	SW510	41-150010030020	TACT SWITCH 4LEGS
R448	21-203382062225	CHIP RESISTORS 820 1/16W	SW511	41-150010030020	TACT SWITCH 4LEGS
R449	21-203247062225	CHIP RESISTORS 47 1/16W	SW512	41-150010030020	TACT SWITCH 4LEGS
R450	21-203510062225	CHIP RESISTORS 10K 1/16W	SW513	41-150010030020	TACT SWITCH 4LEGS
R451	21-203422062225	CHIP RESISTORS 2.2K 1/16W	SW514	41-150010030020	TACT SWITCH 4LEGS
R454	21-203510062225	CHIP RESISTORS 10K 1/16W	SW515	41-150010030020	TACT SWITCH 4LEGS
R455	21-203310062225	CHIP RESISTORS 100 1/16W	SW516	41-150010030020	TACT SWITCH 4LEGS
R456	21-203410062225	CHIP RESISTORS 1K 1/16W	SW517	41-150010030020	TACT SWITCH 4LEGS
R457	21-203447062225	CHIP RESISTORS 4.7K 1/16W	SW518	41-150010030020	TACT SWITCH 4LEGS
R458	21-203510062225	CHIP RESISTORS 10K 1/16W	SW519	41-150010030020	TACT SWITCH 4LEGS
R459	21-203547062225	CHIP RESISTORS 47K 1/16W	SW520	41-150010030020	TACT SWITCH 4LEGS
R460	21-203547062225	CHIP RESISTORS 47K 1/16W	SW521	41-150010030020	TACT SWITCH 4LEGS
R461	21-203547062225	CHIP RESISTORS 47K 1/16W	X401	31-017800002010	CRYSTAL 8.0MHZ



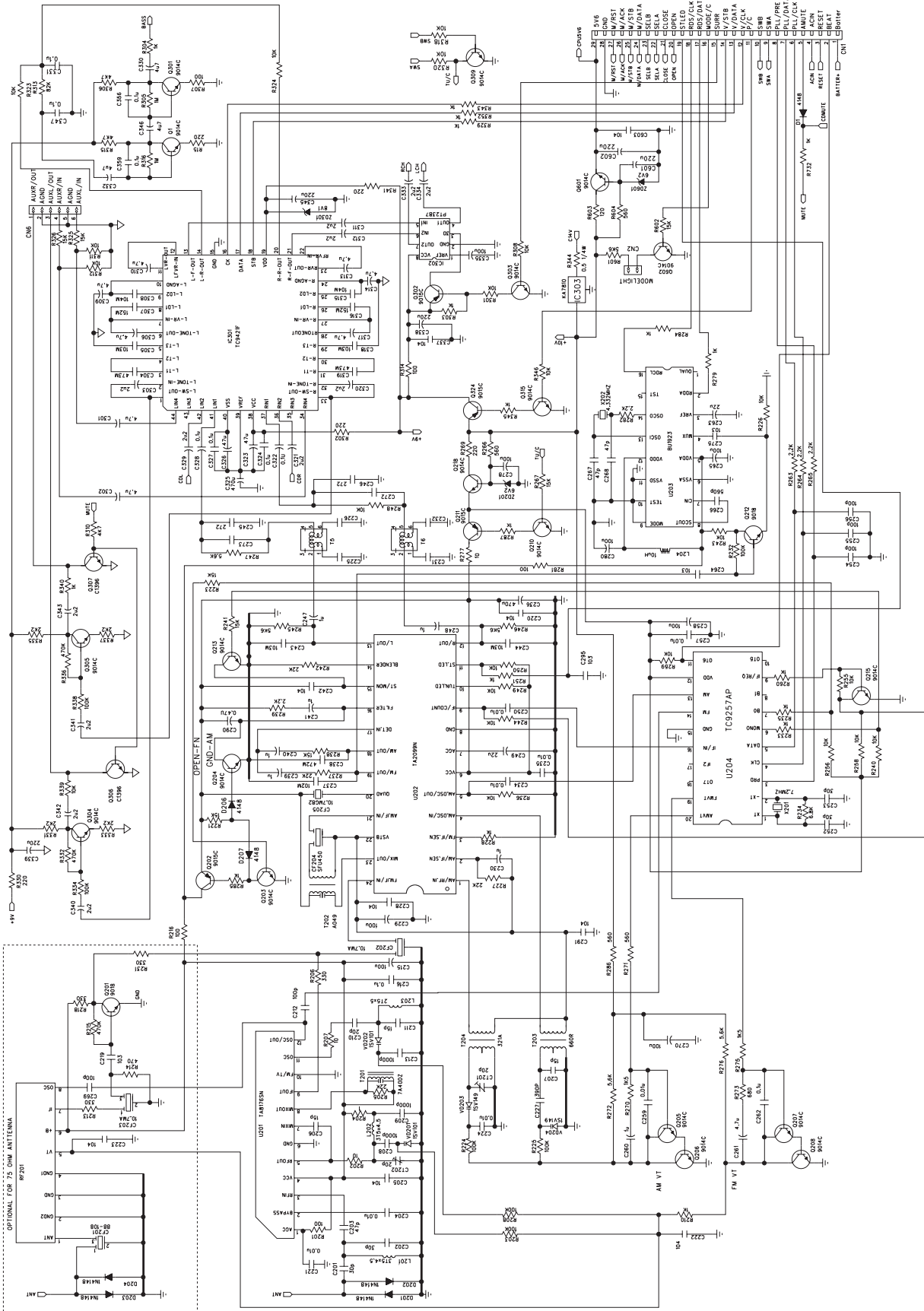
## PARTS LIST

---

REF NO.	PART NO.	DESCRIPTION
X402	31-015327603020	CRYSTAL 32.768KHZ
<b>LEFT KEY PCB ASS'Y</b>		
108	AU-05A300000220	LEFT KEY PCB ASS'Y
COW4	44-12A320052520	2P FLAT CABLE L=200mm
<b>RIGHT KEY PCB ASS'Y</b>		
109	AU-05A300001220	RIGHT KEY PCB ASS'Y
COW5	44-12A330052520	2P FLAT CABLE L=300mm
<b>TOP KEY PCB ASS'Y</b>		
110	AU-05A300002220	TOP KEY PCB ASS'Y
CW6	44-315310052620	2P WIRE L=100mm
<b>MOTOR-1 PCB ASS'Y</b>		
111	AU-32A300000120	MOTOR-1 BOARD ASSY
COW7	44-12A270052520	2P FLAT CABLE (RED/WHITE)
<b>MOTOR-2 PCB ASS'Y</b>		
112	AU-32A300000120	MOTOR-2 BOARD ASSY
<b>POWER PCB ASS'Y</b>		
113	AU-07A300000120	POWER BOARD ASSY
<b>LINE OUT PCB ASS'Y</b>		
114	AU-08A300000120	LINE OUT BOARD ASSY

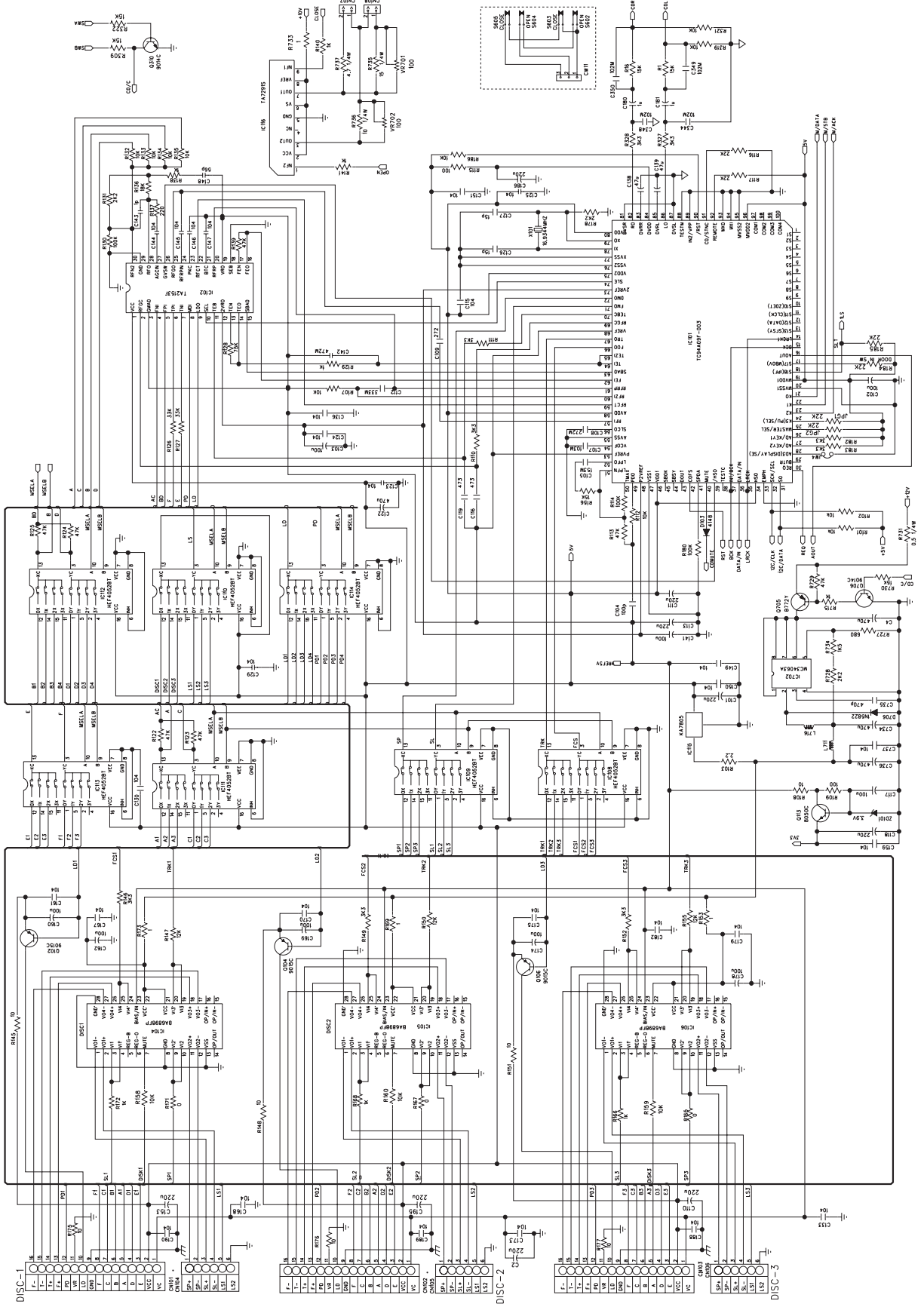
# SHEMATIC DIAGRAM

## 1. MAIN PCB (1/3)



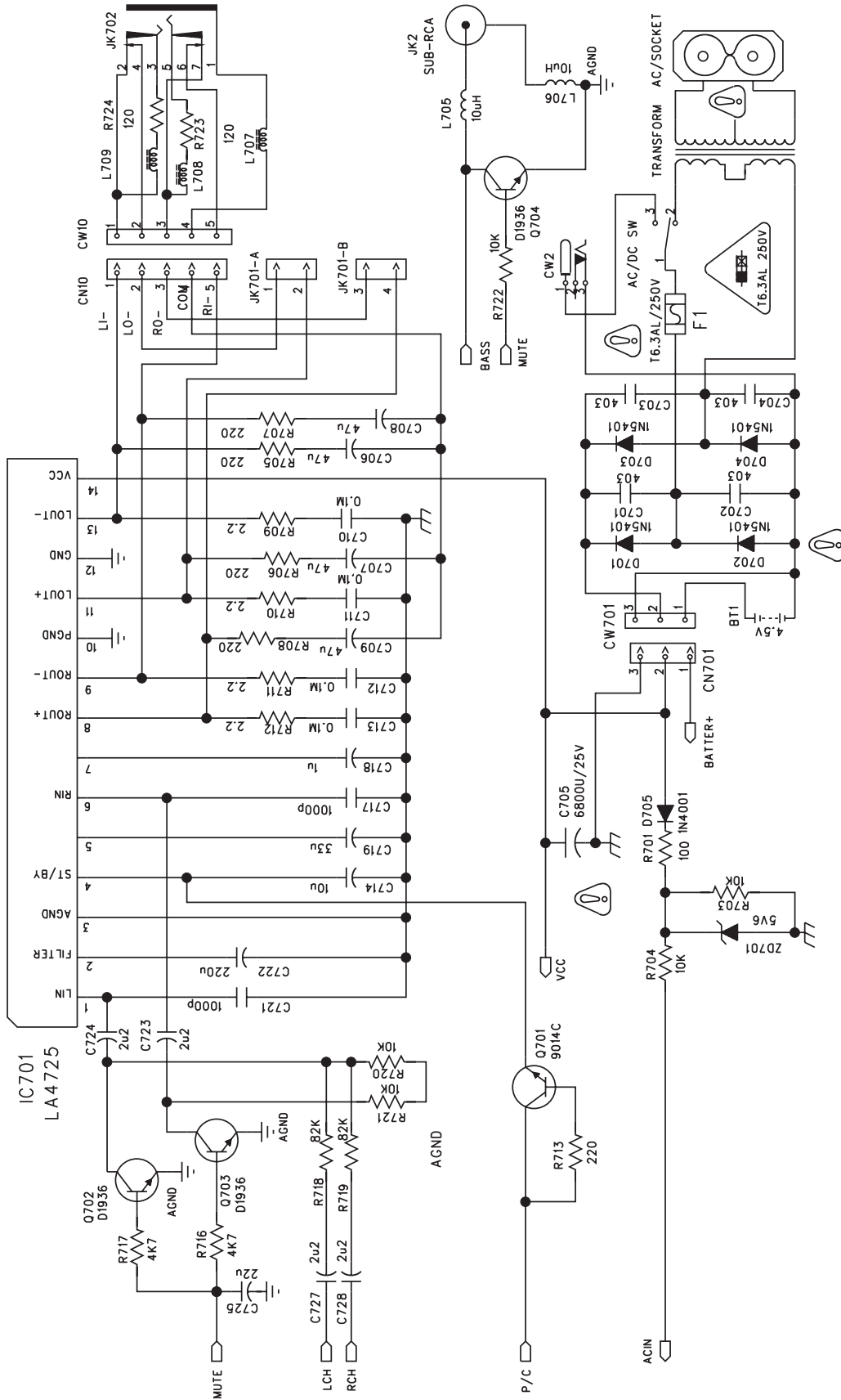
# SCHEMATIC DIADRAM

## 2. MAIN PCB (2/3)



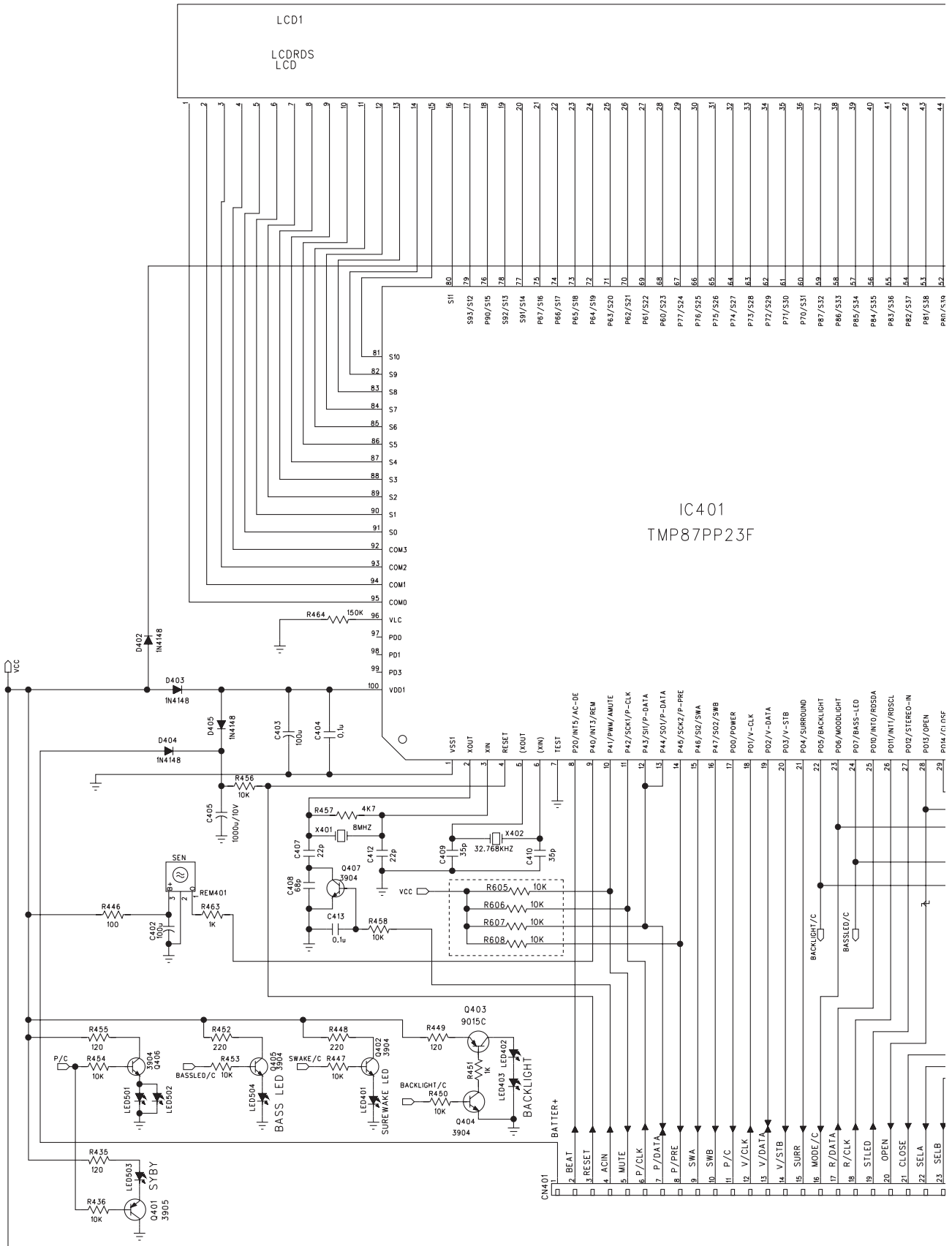
# SHEMATIC DIAGRAM

## 3. MAIN PCB (3/3)



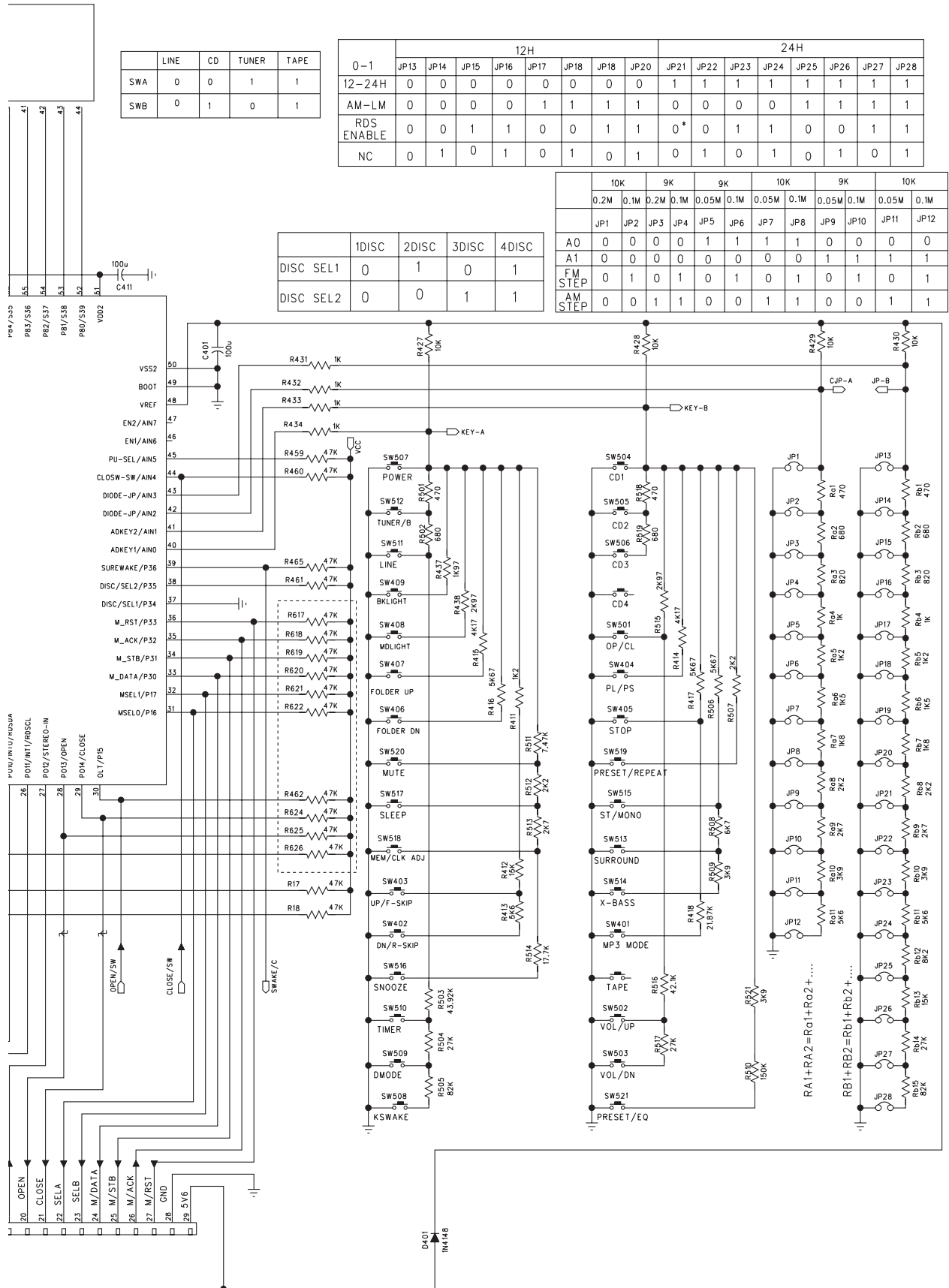
# SCHEMATIC DIADRAM

## 4. DISPLAY / KEY PCB (1/2)



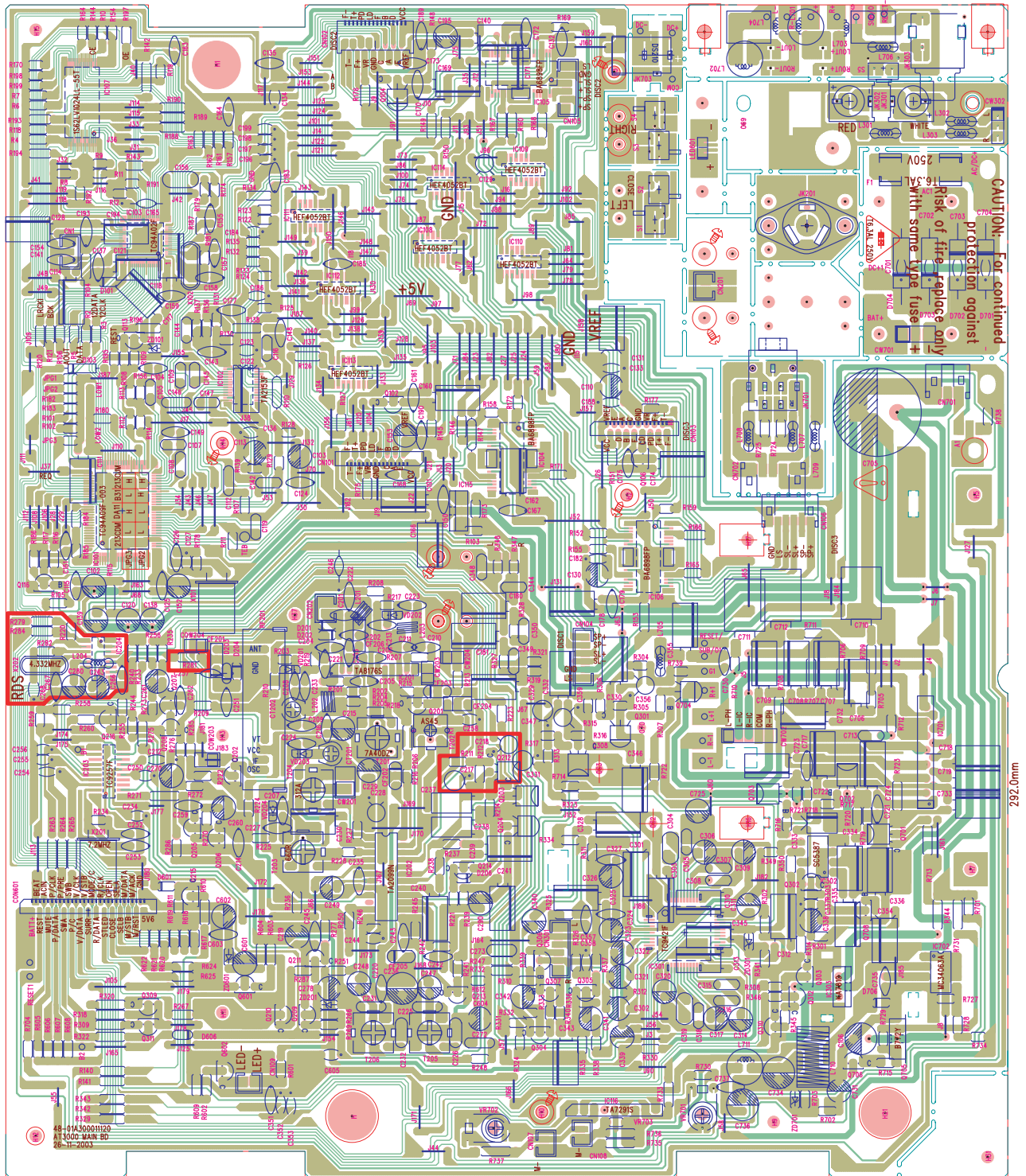
# SHEMATIC DIAGRAM

## 5. DISPLAY / KEY PCB (2/2)



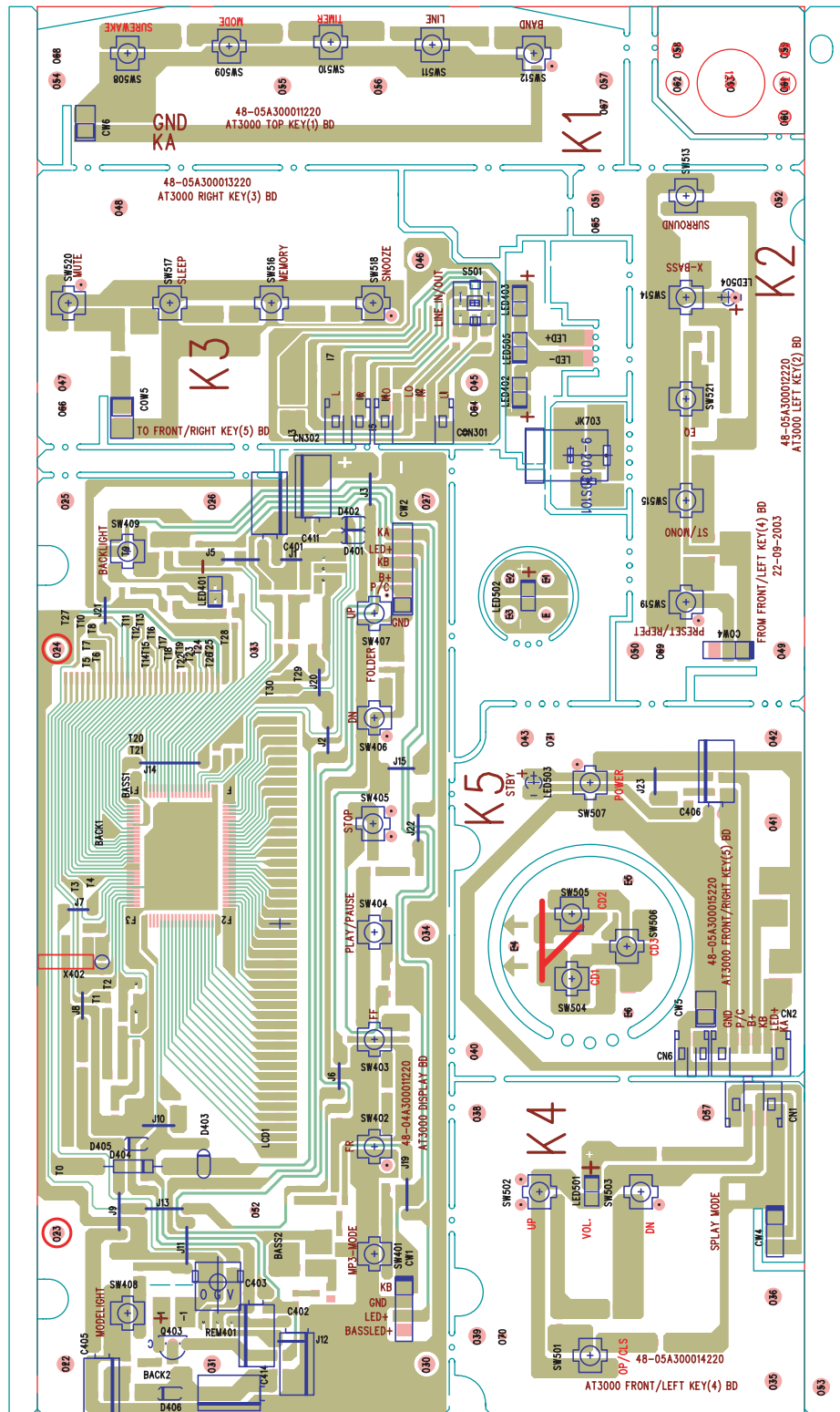
# WIRING DIAGRAM

## 1. MAIN PCB



# WIRING DIAGRAM

## 2. DISPLAY / KEY PCB



SANYO Electric Co., Ltd.  
Osaka, Japan