



VIDEO CASSETTE RECORDER

SV-415X/413X/411X/410X/472X/471X

SV-215X/213X/211X/210X/272X/271X

SV-415F/410F/215F/210F

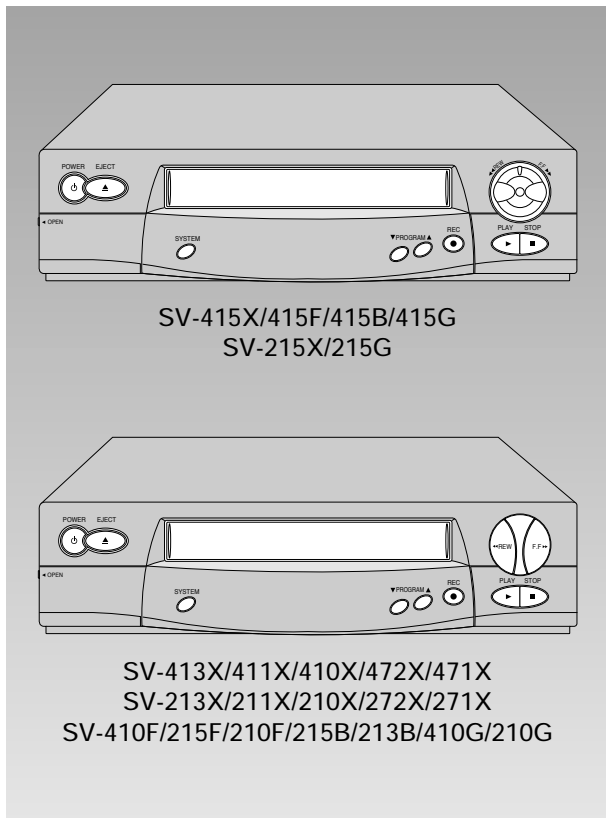
SV-415B/215B/213B

SV-415G/410G/215G/210G

SERVICE Manual

For mechanical disassembly and adjustment, refer to the "Mechanical Manual" (DX7-A/AC, DX8-A/AC → AC68-20392A).

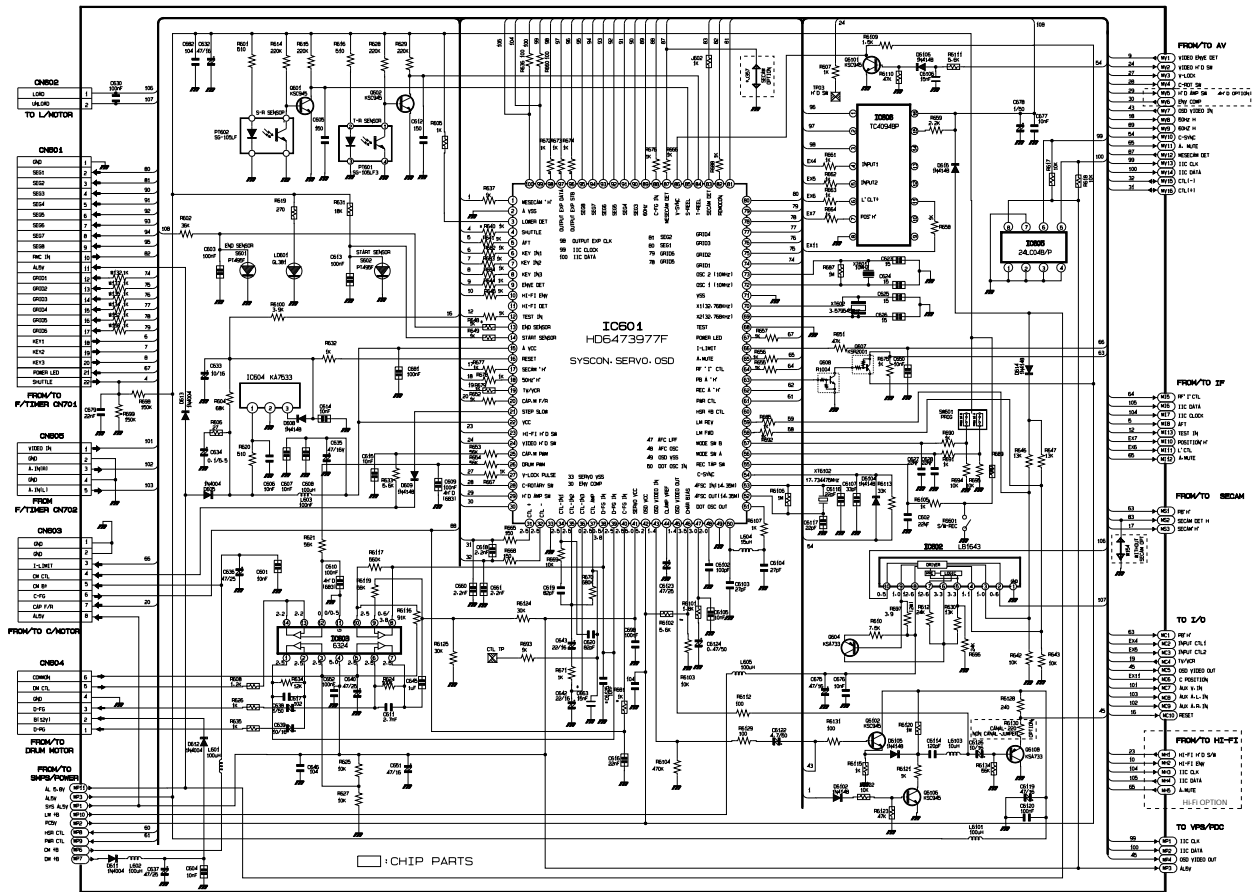
VIDEO CASSETTE RECORDER



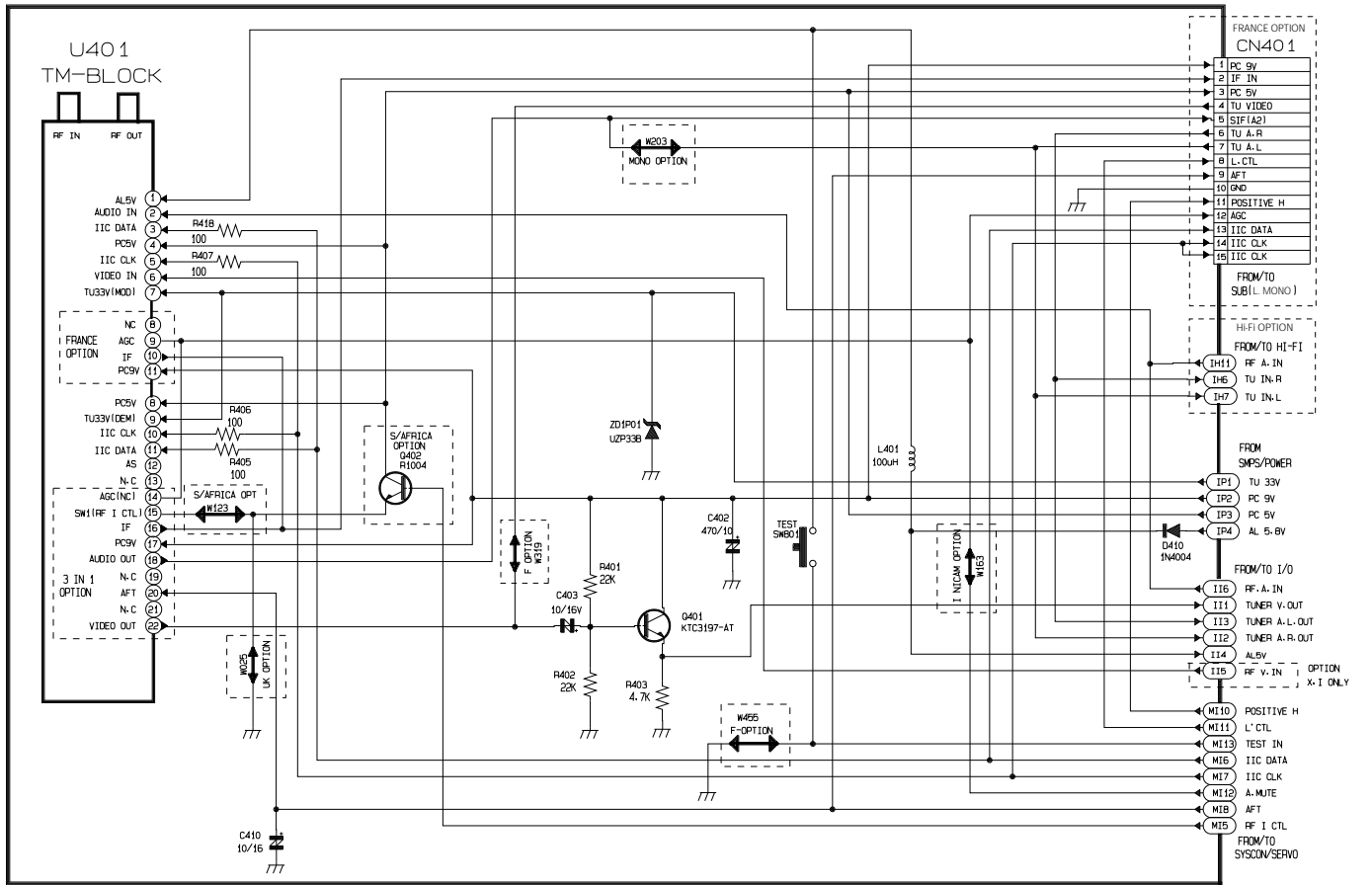
CONTENTS

1. Precautions
2. Reference Information
3. Product Specifications and Comparison Chart
4. Disassembly and Reassembly
5. Alignment and Adjustment
6. Exploded View and Parts List
7. Electrical Parts List
8. Block Diagrams
9. PCB Diagrams
10. Wiring Diagram
11. Schematic Diagrams

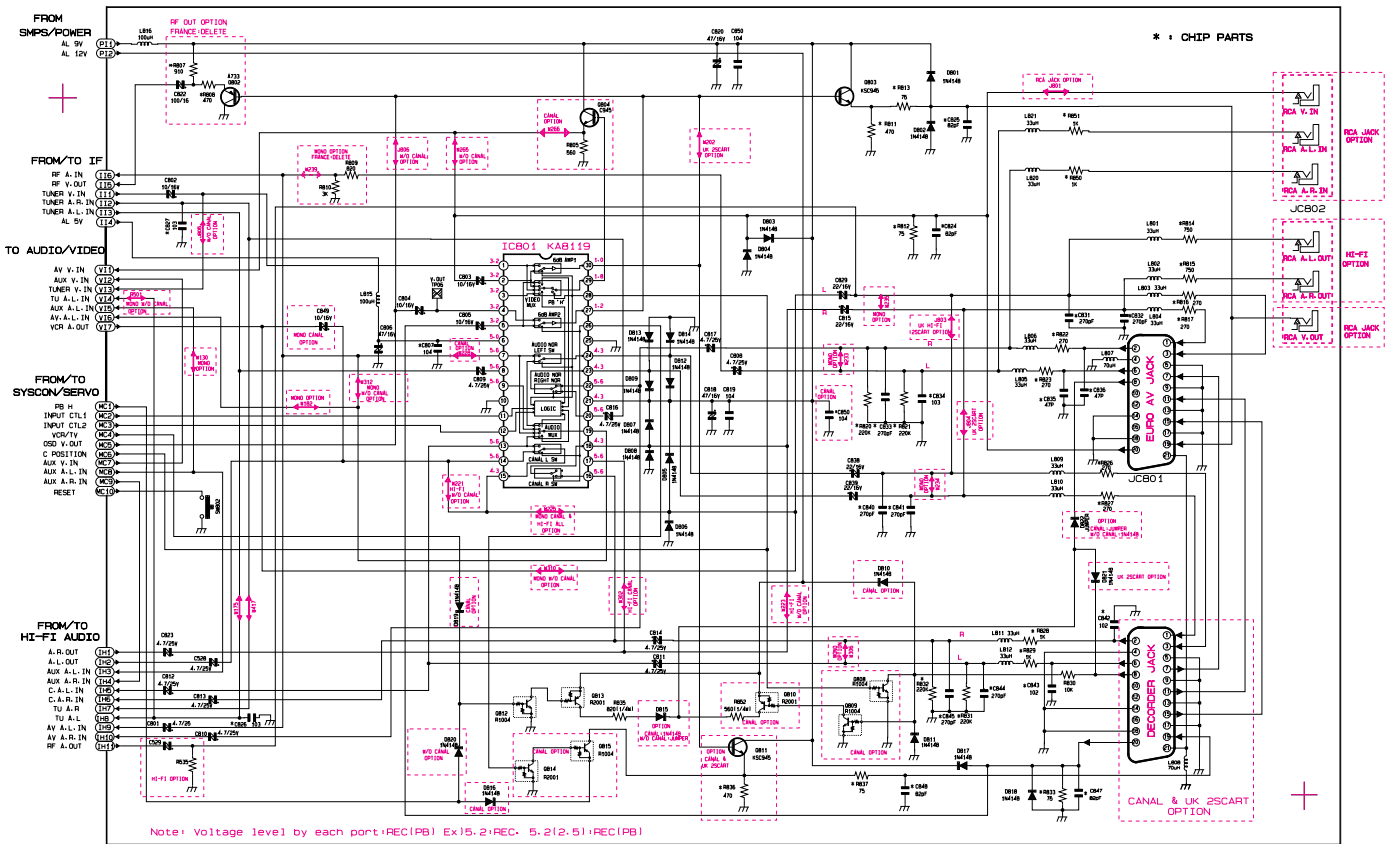
11-2 System Control/Servo



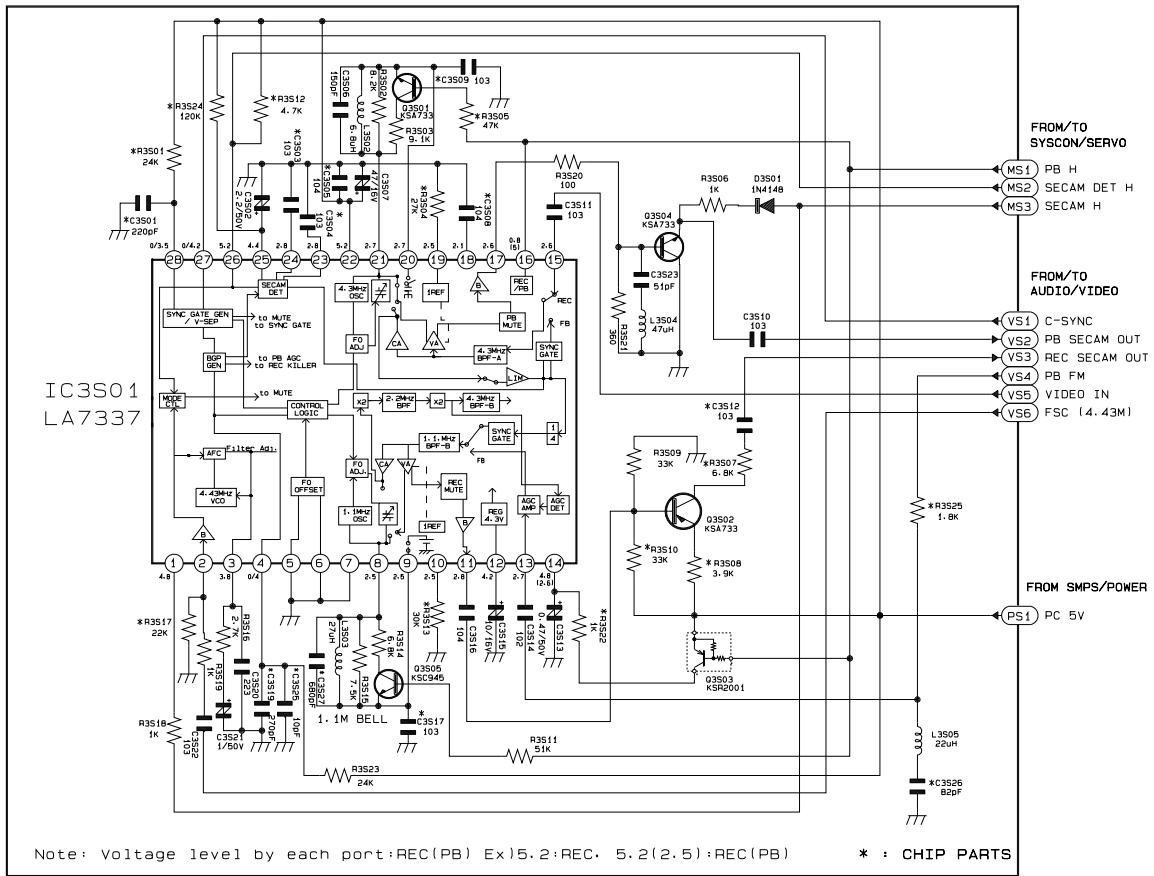
11-5 IF



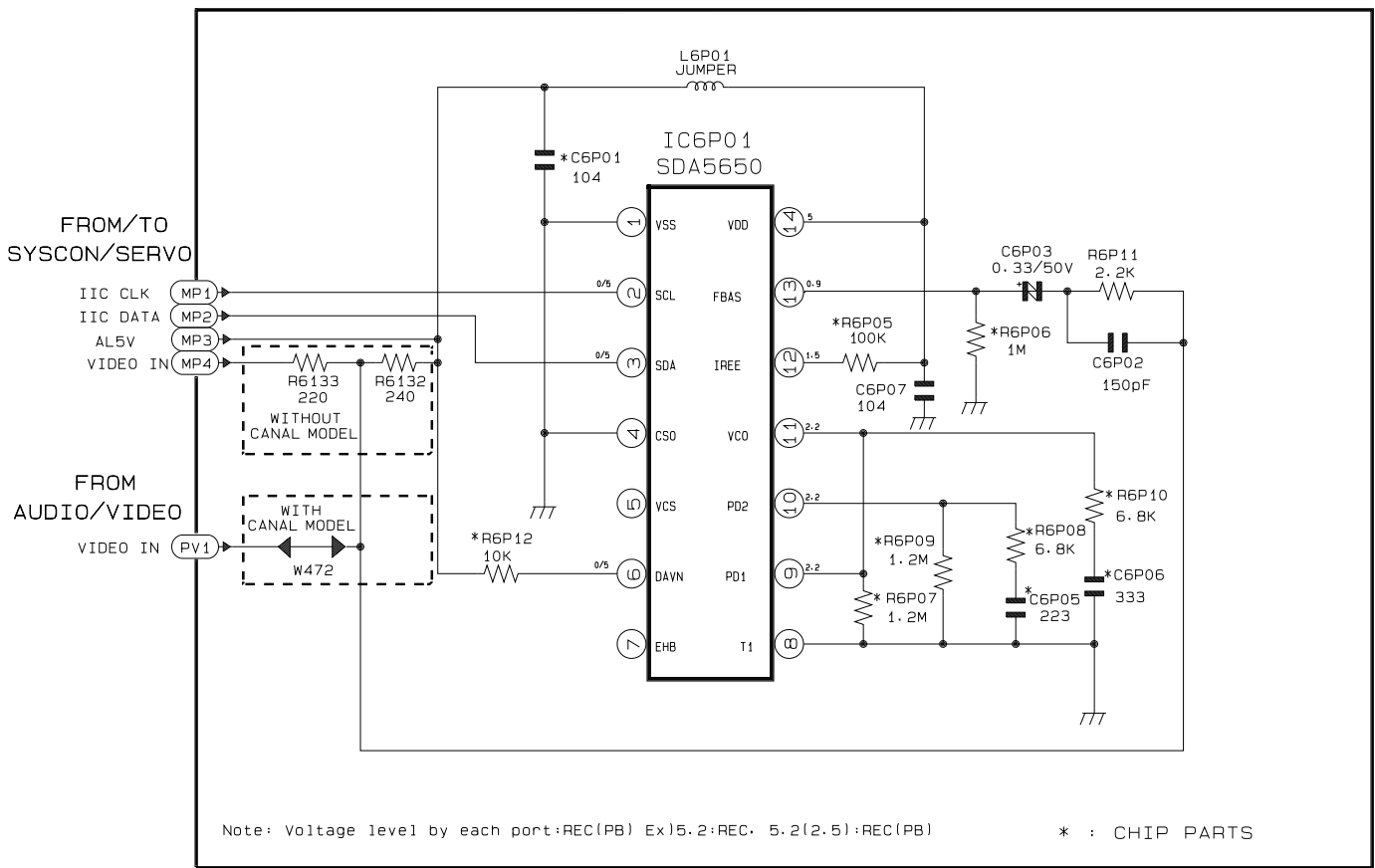
11-6 I/O



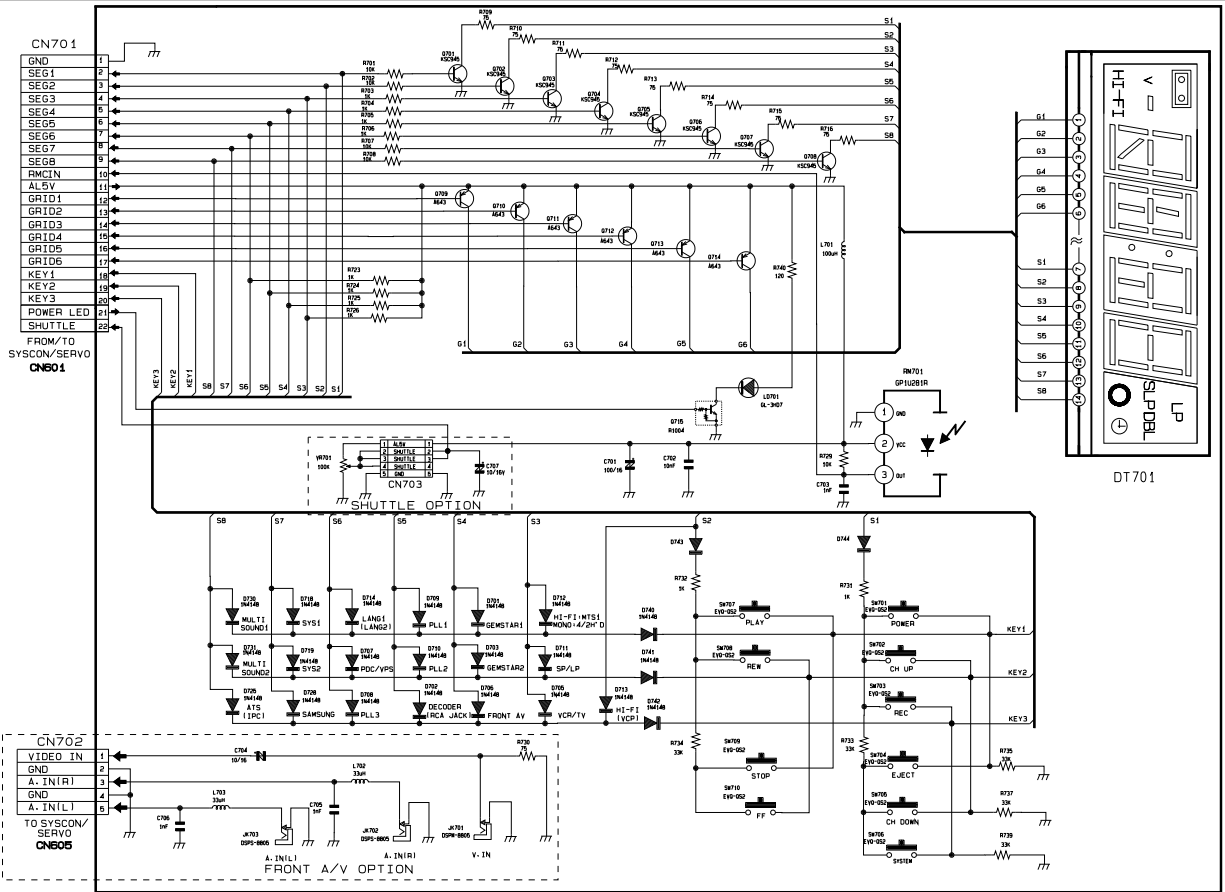
11-7 SECAM (SV-415F/410F/215F/210F Only)



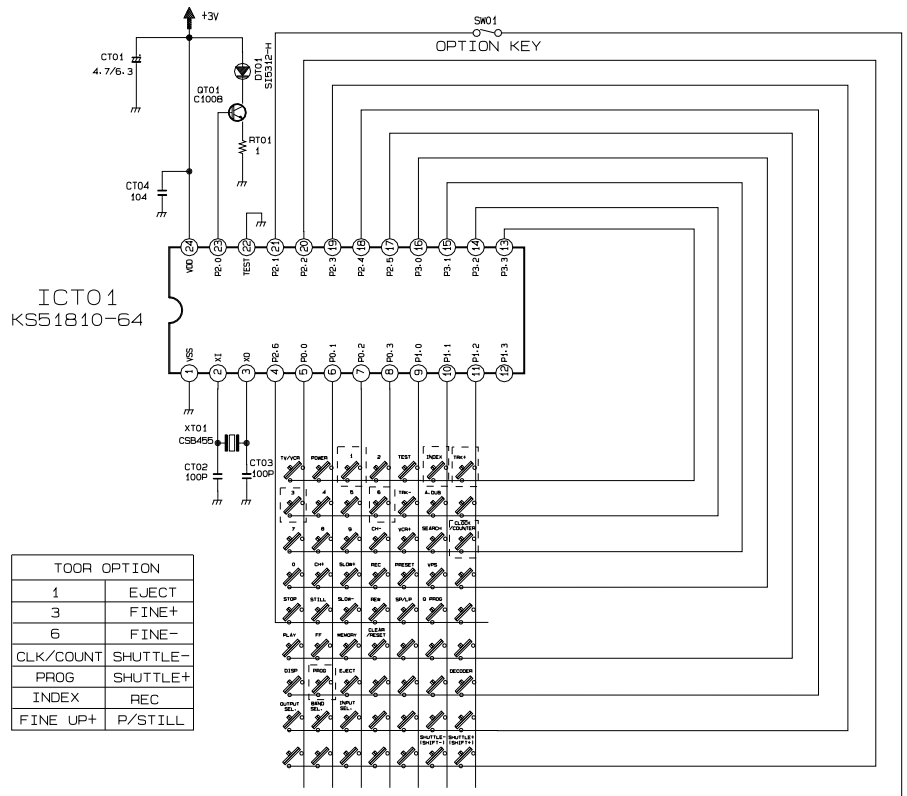
11-9 VPS/PDC



11-10 Function-Timer



11-11 Remote-Control (Normal)



TOOR OPTION	
1	EJECT
3	FINE+
6	FINE-
CLK/COUNT	SHUTTLE-
PROG	SHUTTLE+
INDEX	REC
FINE UP+	P/STILL

11-12 Remote-Control (Multi)

