



KORTINA ROCCO

OFFICIAL DISTRIBUTOR IN THE USA



USER GUIDE

WARNING

Read these instructions carefully before use and keep them for future references. Your child's safety may be affected if you do not follow these instructions.

Failure to follow these warnings and the instructions could result in serious injury or death.

Manufacturer and Distributer decline liability for any personal harm or damage to objects ensuing from the improper and/or incorrect use of the product.

Assembly must only be carried out by adults.

To avoid danger of suffocation to babies and children dispose of plastics bags and other packaging materials immediately. A child's safety is your responsibility.

NEVER leave your child unattended.

Do not use ROAN's ROCCO or KORTINA Pram if any part is broken, torn or missing. This vehicle is not suitable for running or skating.

Do not take your stroller on the escalator or stairs.

Do not let your child play with the stroller.

WARNING

The child should be kept clear of moving parts while making any adjustments to the ROAN's Rocco or Kortina stroller.

Always engage the brake during stops, during the assembly/removal of accessories and during the loading/unloading of the child.

Ensure that all locking device are correctly engaged before use.

Check that the bassinet or seat unit attachment devices are correctly engaged before use.

Do not use a single stroller to carry more than one child.

Do not leave the vehicle on a slope when a child is in it, even if the brakes are applied.

To avoid injury ensure that your child is kept away when unfolding and folding this product.

Children should be harnessed in at all times and should never be unattended.

Use a harness as soon as your child can sit unaided.

Always use the crotch strap in combination with the waist belt.

WARNING

Avoid serious injury from falling or sliding out. Always use a seat belt.

Child can strangle in loose restraint straps. NEVER leave child in carrier when straps are loose or undone.

Strings can cause strangulation! Do not place items with a string around a child's neck, such as hood strings or pacifier cords. Do not suspend strings over a bassinet or cradle or attach strings to toys.

Maximum weight for the child in the bassinet is 9 kg (20 lbs).

Maximum weight for the child in the seat is 18 kg (40 lbs).

Maximum weight for objects placed in basket is 3 kg. Don't exceed maximum recommended weight.

Any load attached to the frame affects the stability of the vehicle.

Any load attached to the handlebar affects the stability of the stroller

The bassinet is not intended for use by children older than 6 months or children who can sit unaided.

WARNING

Never use the bassinet on a stand

The bassinet is suitable only for a child who cannot sit unaided, roll over and cannot push itself up on its hands and knees.

Maximum weight of the child in the bassinet: 9 kg (20 lbs)

To help prevent against falls do not use the bassinet when the infant begins to push up on hands and knees or has reached 9 kg (20 lbs), whichever comes first.

Bassinet or seat are not intended for use as infant restraint devices in motor vehicles.

Never use the bassinet or seat as a means to transport an infant in a motor vehicle.

Overloading, incorrect folding and the use of non-approved accessories by the Producer may damage or break this vehicle.

Use only parts and accessories approved by the Manufacturer.

Use **ONLY** the pad provided or approved by ROAN.

NEVER add a pillow, comforter, or another mattress for padding.

WARNING

Child can strangle in loose restraint straps.

NEVER leave child in seat when straps are loose or undone.

The seat is not intended for prolonged periods of sleeping.

Always use the harness with the seat.

TABLE OF CONTENTS

1. What's In the Box - page 3
2. Assembly & Operation - page 4
3. General Care & Maintenance - page 14



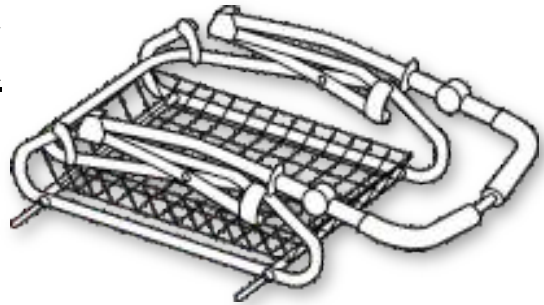
We thank you for your purchase of a quality Roan pram-stroller. We appreciate having you as a customer. Take time to completely read this manual before assembling and using your new pram-stroller. With proper care your pram-stroller will provide many years of satisfying performance.

- The Dasalika Team

WHAT'S IN THE BOX



Bassinet Cover - Qty. 1



Chassis - Qty. 1



Bassinet Side Cover
Qty. 1



Seat Bar
Qty. 1



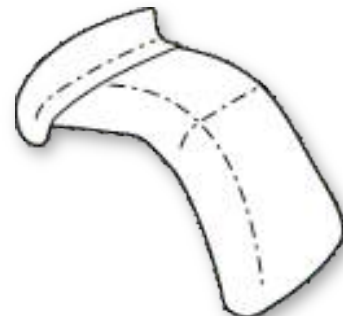
Bassinet - Qty. 1



Chair Hood - Qty. 1



Seat Unit - Qty. 1



Seat Cover - Qty. 1



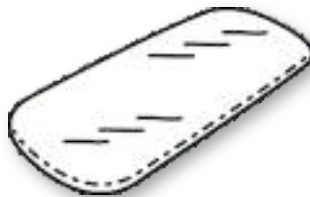
Front Wheels
Qty. 2



Rear Wheels
Qty. 2



Diaper Bag
Qty. 1

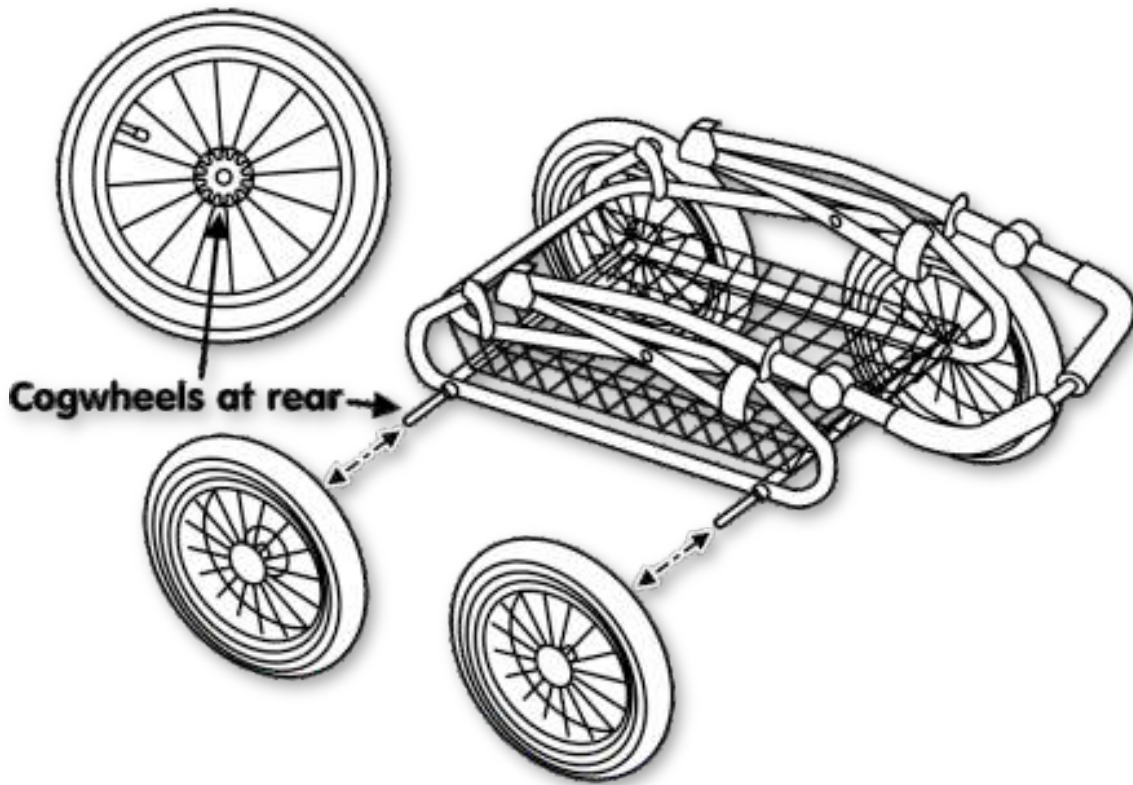


Mattress
Qty. 1

Optional Accessories:

- Rain Cover
- Mosquito Net
- Coconut Mattress
- Sleeping Bag
- Wheels Cover

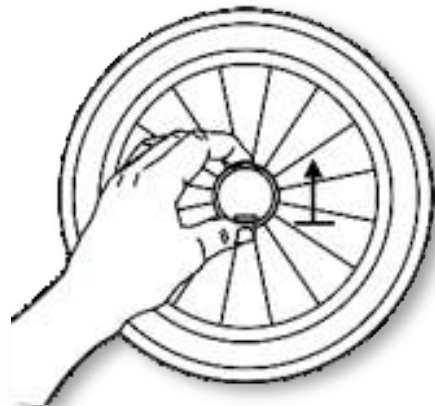
Wheels



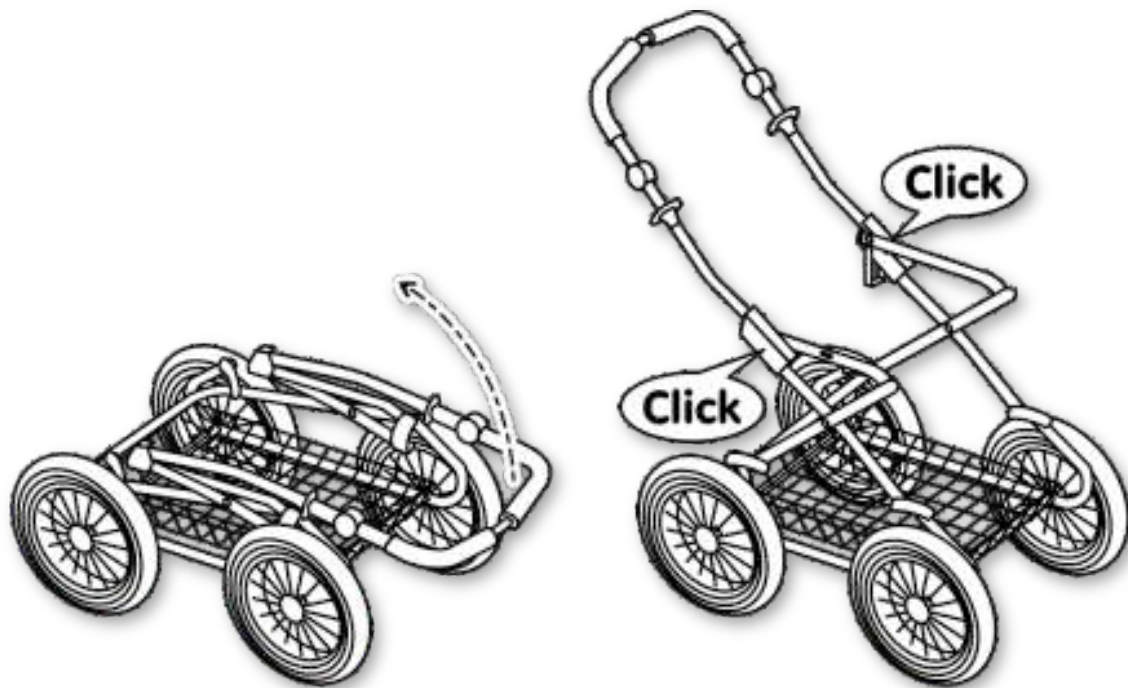
- Inflate each wheel to the listed PSI indicated on the sidewall of tire.
- Depress the wire clip and slide the wheels onto the axles. Notice that the rear wheels have cogged hubs.
- When each wheel is fully installed, the wire clip will click/snap into place. Try to remove the wheels to be sure they are fully installed and secured.

Removal of Wheels:

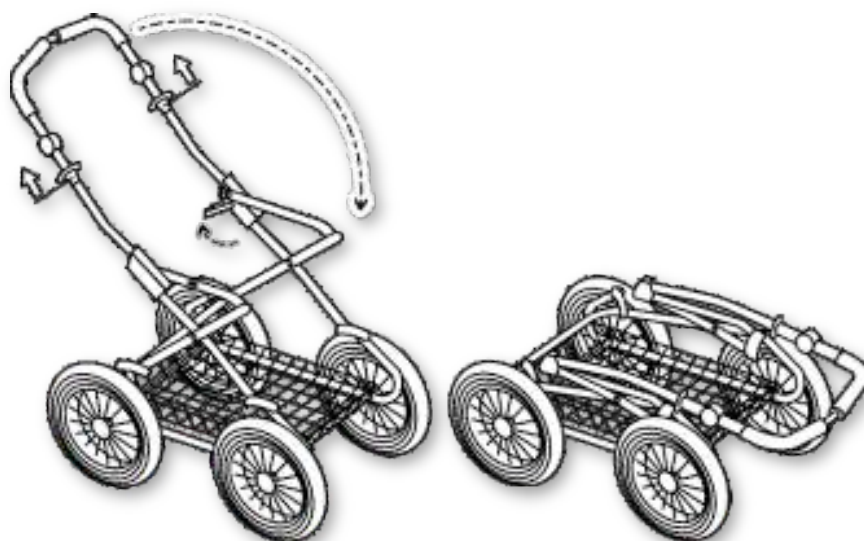
Depress the wire clip before attempting to slide the wheel away from the axle.



Chassis



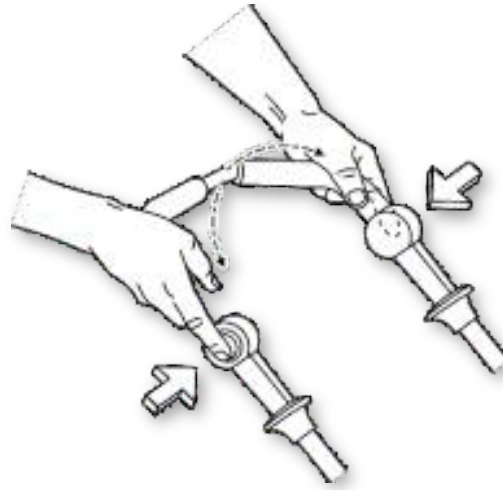
To unfold the chassis, grab the handle and lift up. You will hear the locks click and the handle should be locked on both sides.



Refolding the Chassis:

Shift the lock collars upwards on both sides at the same time and then rotate the handle over the front. Release the safety catch

Adjusting the Handle



To adjust the handle angle, press both circular buttons simultaneously inward while moving the handle forward or backwards.

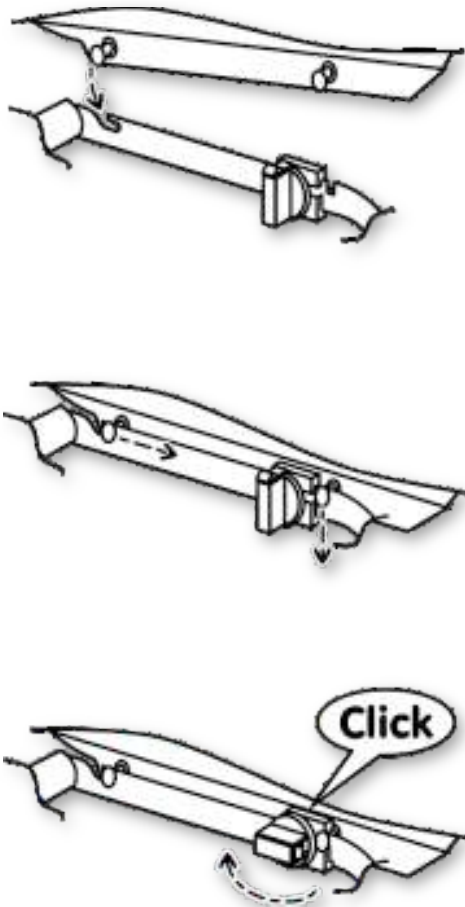
Attaching Bassinet/Seat Unit

Both the bassinet and seat unit attach to chassis rail with guide pins. See next page for locking mechanism.

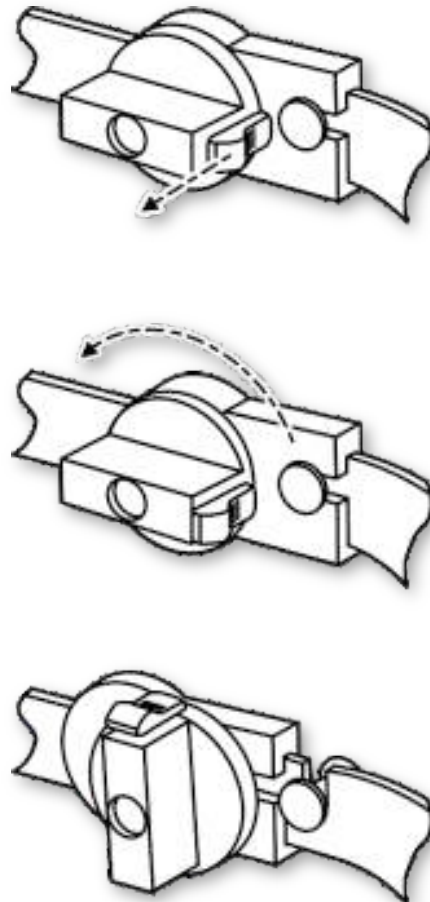


Locking Mechanism: Circular Type

Setting the Lock



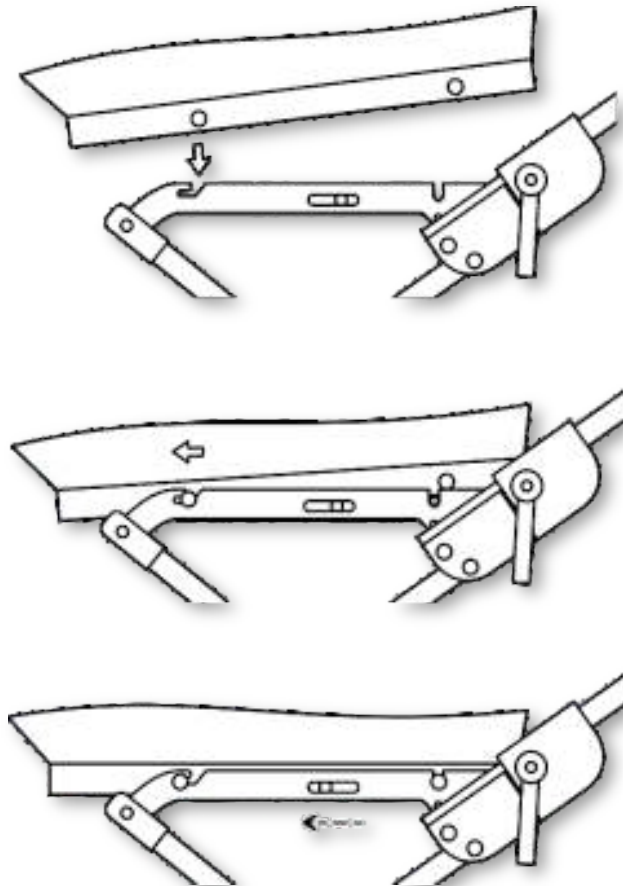
How to Unlock



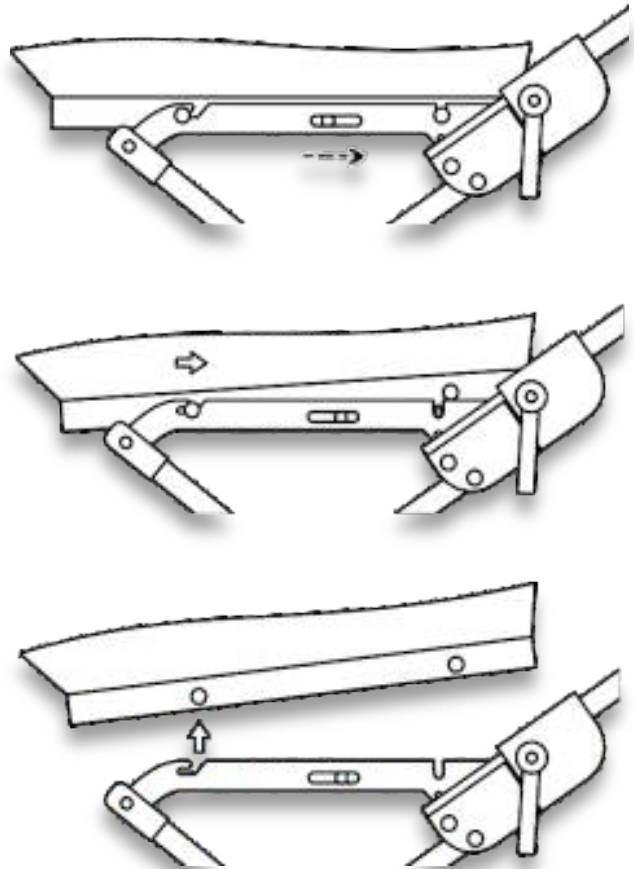
- To install the bassinet or seat unit you need to first engage the rear pins into the guide rail slots.
- Move the item forward so the front pins can now enter into the front rail slots.
- Secure the item by rotating the locking mechanism 90 degrees and a click sound is heard.
- Unlocking the mechanism is the reverse of installation.

Locking Mechanism: Sliding Type

Setting the Lock



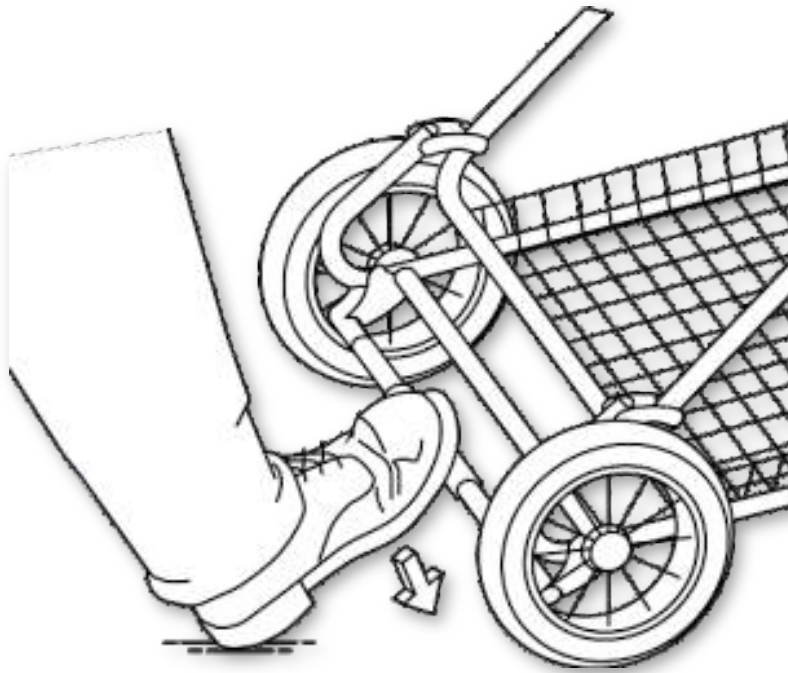
How to Unlock



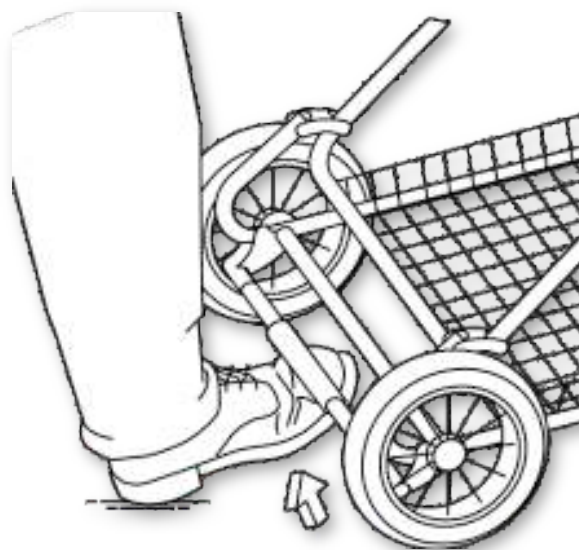
- To install the bassinet or seat unit you need to first engage the front pins into the guide rail slots.
- Move the item forward so the rear pins can now enter into the guide rail slots.
- Secure the item by sliding the locking mechanism forward.

Unlocking the mechanism is the reverse of installation.

Using the Brake

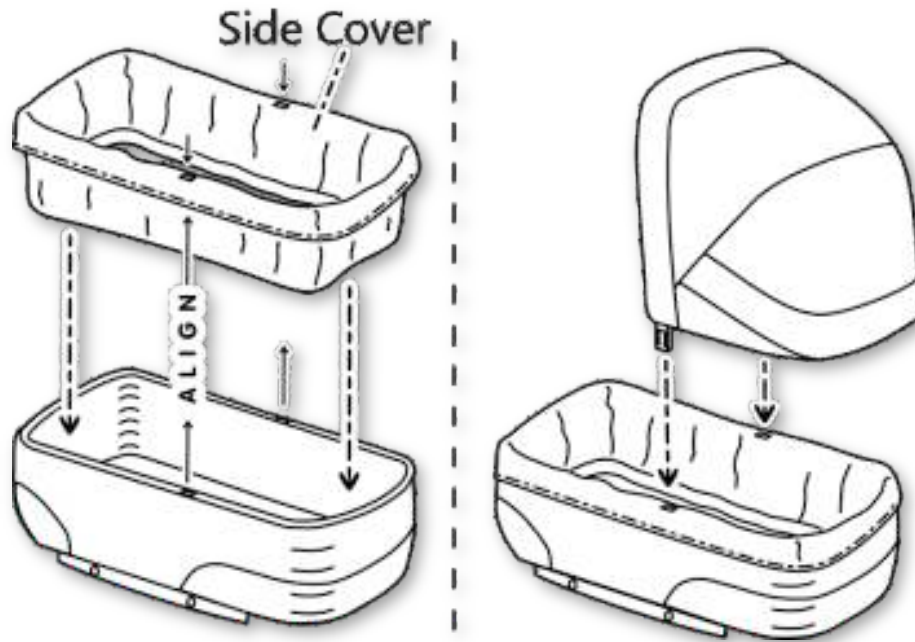


To set the brake, step down on the back bar.
Check that wheels are locked.



To unlock the brake, place your foot
under the back bar and lift it up.

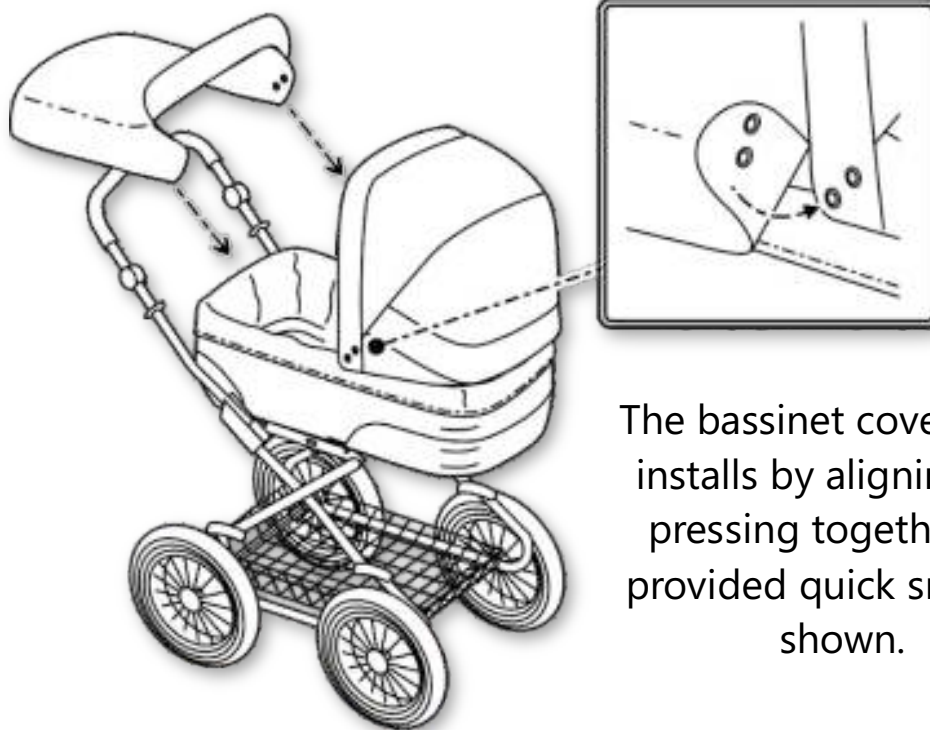
Installing the Side Cover & Attaching / Detaching the Hood on the Bassinet



- Place the side cover inside the bassinet while making sure the sewn holes align with the side wall slots.
- b) Install the hood by inserting the two side posts into the slots of the bassinet walls. The tabs will click when the hood is properly inserted. Removal of the hood is done by first pressing in the tabs then lifting the hood out of the slots.

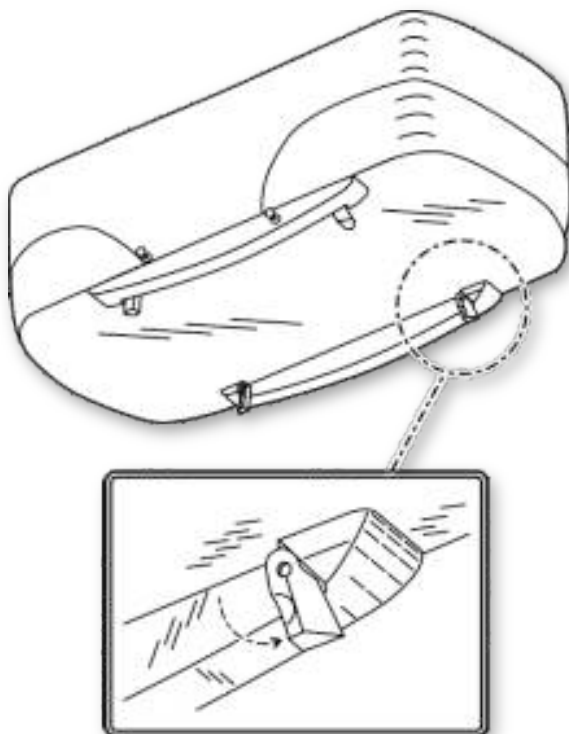


Bassinet Cover



The bassinet cover easily installs by aligning and pressing together the provided quick snaps as shown.

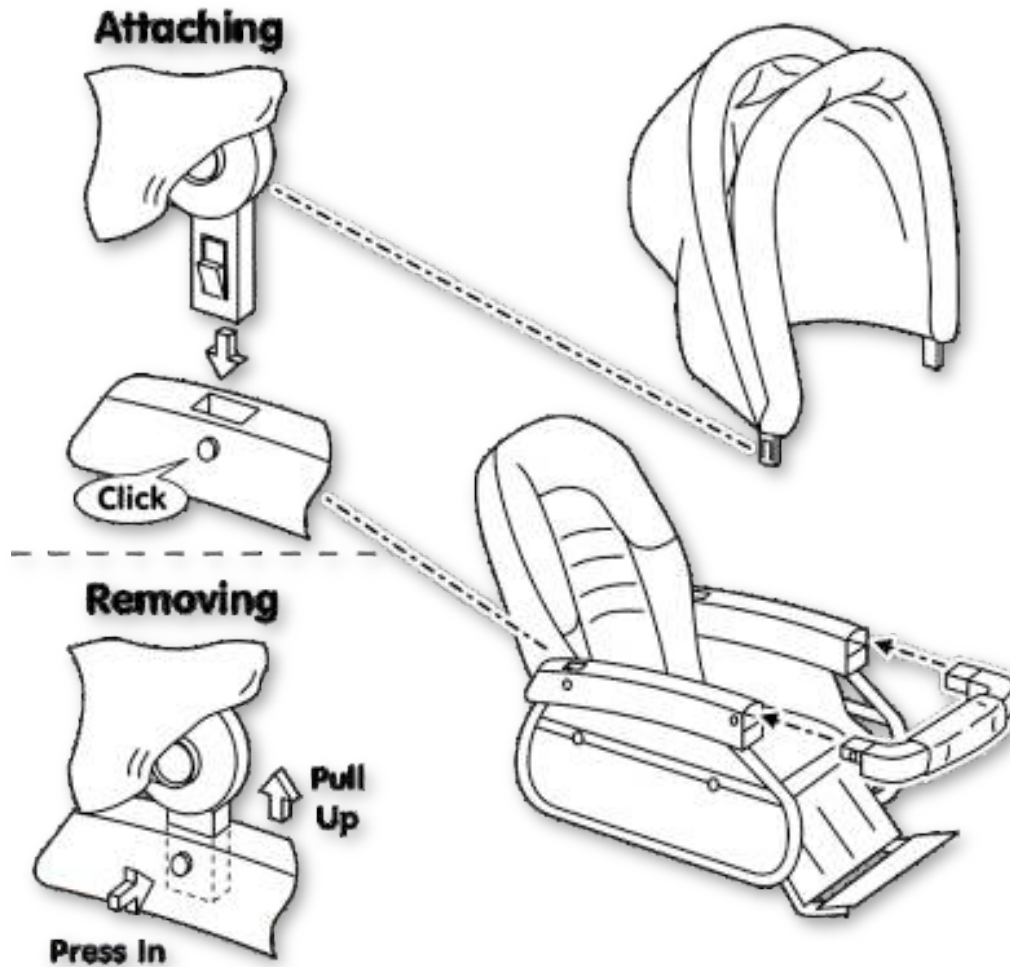
Bassinet Stability Legs



*The curved shape of the bassinet base intentionally allows for the bassinet to be gently rocked back and forth when placed on a flat surface.

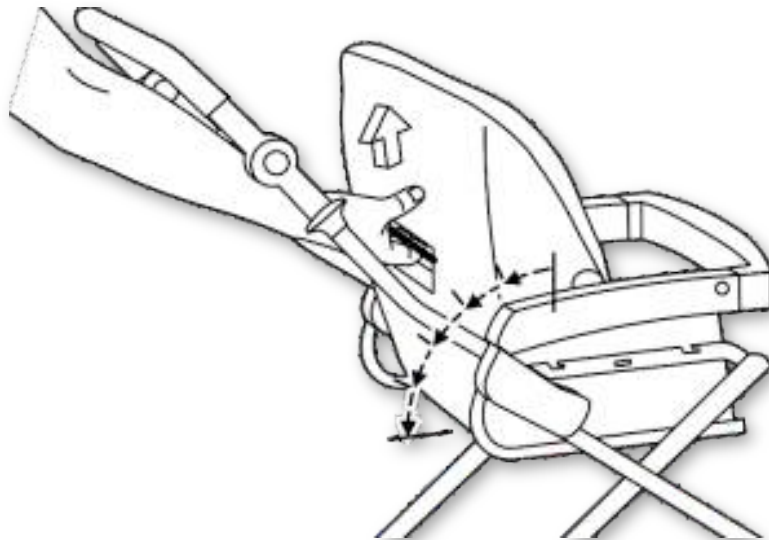
To stabilize the bassinet when placed on a flat surface, rotate each of the four leg levers as shown.

Attaching/Detaching the Hood on a Seat Unit & Installing the Bar



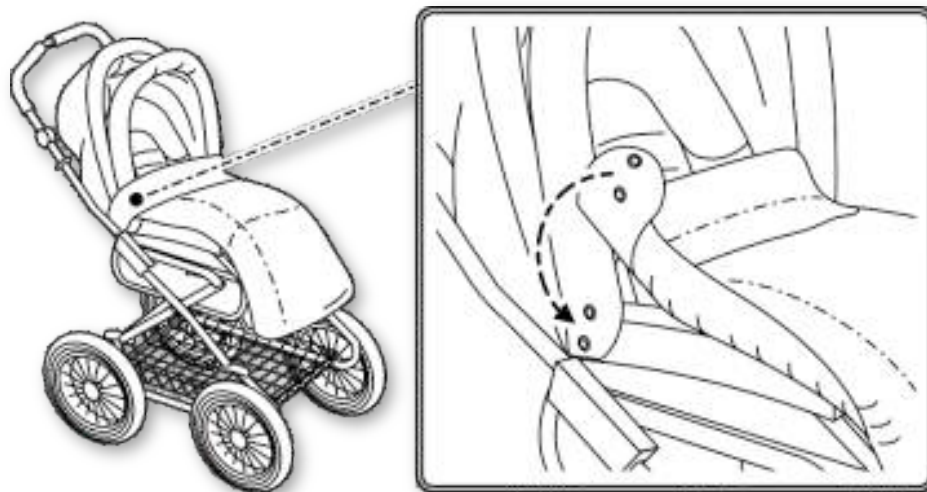
- Install the hood by inserting the two side posts into the slots of the chair arms. The tabs will click when the hood is properly inserted. Removal of the hood is done by first pressing in the tabs then lifting the hood out of the slots.
- The bar slides into the front of the seat arms. The side buttons click into place when the bar is fully inserted.

Adjusting the Backrest on Seat



To adjust the angle of the seat back, pull up on the wire metal handle while changing the angle. Release the handle when you arrive at the desired angle.

Seat Unit Cover



The chair cover easily installs by aligning and pressing together the provided quick snaps as shown.

GENERAL CARE & MAINTENANCE

- **This vehicle requires regular maintenance by the user**
- Regularly check screws, rivets, bolts & fastenings to ensure they are locked tight and secure.
- Check on a regular basis that all chassis locking devices are working correctly.
- Never force any mechanisms or moving parts. If you are not sure what to do, refer to the instruction.
- If any part of the pram is damaged contact the retailer immediately without using the Pram.
- Ensure that zips are either fully open or fully closed or they may be damaged.
- Routinely clean the metal parts with a damp cloth and then dry immediately.
- Fabrics should be cleaned using lukewarm water and a mild detergent. Do not use aggressive cleaning agents. Do not wash in the washing machine.
- Do not use bleach. Allow the stroller to dry completely before using or storing it.
- Clean plastic and metal parts with a damp cloth or a light detergent. Do not use solvents, ammonia or petrol.
- Do not use abrasive, ammonia based, bleach based or spirit type cleaners.
- Keep the vehicle in a dry place; if wet, dry the metal parts to prevent rusting.

-
-
- Excessive and prolonged exposure to sunlight and/or rain may cause the fabric or plastic to fade or change color.
 - Periodically lubricate moving parts with light automobile oil or WD-40, making sure the oil penetrates the mechanisms deeply.
 - Should you intend to use the pushchair during the winter, by the sea or off-road; it is important to clean thoroughly & dry the vehicle after use. Salt from the ocean or from roads will corrode metal parts if the vehicle is not cleaned after use.
 - If the stroller has been used on the beach, clean it so as to remove sand and/or salt from the mechanisms and wheels.
 - Do not place items on the hood, it may damage the vehicle and/or render it unsafe.
 - Always use a rain-cover in inclement weather.
 - Rubber tires can leave marks on some surfaces. The tires can react with some surfaces (vinyl floor coverings, carpets etc.) and cause stains. Always stand the stroller on a protective surface indoors.
 - Take care not to tear the fabrics while transporting the Pram.

Contact Information

PPUH ROAN
ul. Warszawska 112
42-200 Czestochowa
Poland
www.roan.pl

Dasalika Corp.
PO Box 4873
Buffalo Grove, IL 60089
USA
www.dasalika.com

