



SATELLITE TV

EAGLE

MANUAL



Index

Warning	4
Mount Definitions	5
Controller View	6
Configuration and Software Versions	8
Menu Options	9
Connector Wiring Diagram	10
Raising the ODU Using a 12 VDC Source	10
vGPS (DirecTV) Block Diagram	11
Foot Print and Clearances	12
Operation	13
LCD Display	14
Service Messages	15
Returning Parts to the Factory	16



WARNING

Make *all* electrical and coax connections from the controller to the mount and LNB's **BEFORE applying power to, or connecting the satellite receiver to the controller.**

Note: When the controller is turned OFF it will still pass voltage from the receiver to the LNB if the receiver is plugged in to 110 AC. Shorting of the coax at any time during installation may cause damage to either the Controller or the DiSEqC Switch (if installed). Failure to follow this procedure can result in voiding of warranty replacement, not to mention time spent trying to troubleshoot a system that does not perform.

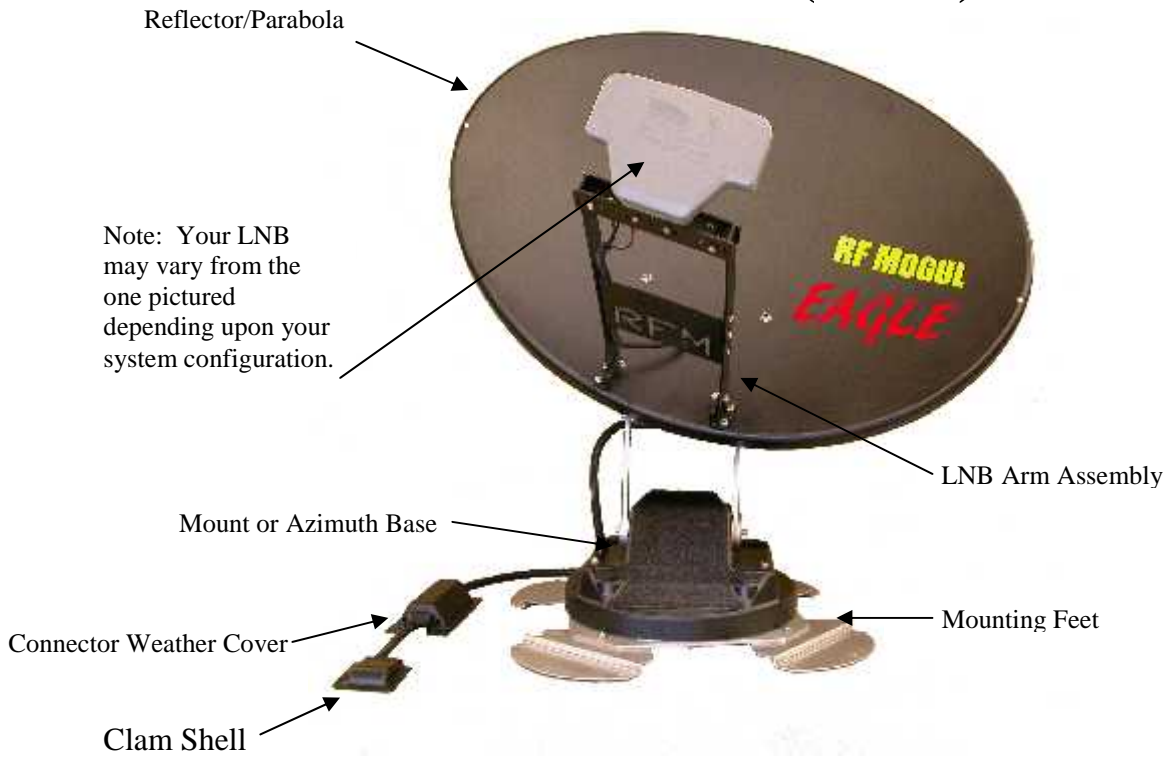
REMEMBER

90% of all problems are a result of **CONNECTIVITY** or **CONFIGURATION**.

M_{ount} definitions

A system consists of several components

MOUNT (ODU)



Items included with the system and not shown.

- 1 ea LNB Landing Plate
- 15' Control Cable, 25'
- 1 ea Connector, green, 12 pin
- 1 ea Power Supply, 12 VDC 7 amp
- 1 ea RE-1000 User Guide
- 1 ea EAGLE Controller

Controller Views

FRONTAL VIEW Definitions and Usage

CONTROLLER (IDU)



FIND

Directs the system to "FIND" Satellites
Navigates through the menu and selects a particular function

STOW

Directs the system to "STOW" the mount and prepare it for travel
Navigates through the menu and selects a particular function

LCD Display

Displays the actions of the system

USB Programming Port

Used for changing software

POWER

Turns controller ON and OFF
Navigates through the Menu options

LED

LNB indicates the receiver coax is attached to the controller
SYSTEM indicates power is being supplied to the controller

REAR VIEW Definitions and Usage

CONTROLLER (IDU)



CONNECTIONS

POWER

12 VDC 7 amp (power supply provided)

CONTROL CABLE CONNECTION:

Termination of the 12 wires of the control cable to the controller takes place here.

TO SATELLITE RECEIVER

This is a coax pass-through connection to your satellite receiver (Satellite IN). It is optional except for DirecTV SWM.

TO LNB:

This is a coax connection to the Antenna's LNB. The connection is made at the base of the mount to any one of 4 coax cables that run through the mount and is secured to the LNB.

If you have DirecTV SWM, then the cable attached to the DiSEqC switch must be routed **directly to the controller uninterrupted** to the connection marked "TO LNB". (see configuration to determine which coax at the base of the mount goes to the controller).

Label on the bottom of the controller



Configurations and Software Version

Each of the Program Providers will require different software

- EAQLE -1** SHAW Direct = 107.3, 107.3, 111.1 Satellites (For Canadian Use Only)
- EAQLE -2** DirecTV SWM = 99, 101, 103 or 99,101,103,110 and 119 Satellites
- EAQLE -3** Dish Network = 110, 119, 129 Satellites
- EAQLE -4** Bell Express = 81, 92 Satellites (For Canadian Use Only)

TO CONFIGURE

Configuration of your system is done through software. There are different versions of software for each Program Provider.

- Go to www.rfmogul.com web site and download to your USB drive the appropriate software for your program provider.
- Place the USB drive into the appropriate slot in the front of the controller and turn the power ON.
- The controller will download the file into memory. This process will take approximately 8-10 seconds.

SOFTWARE VERSION UPGRADES

When should you think about downloading new software or changing configurations?

1. To take advantage of new innovative features offered by the latest revision of software.
2. If you have called your installer and he recommends it.
3. If you read the History of the new software and you determine that you could benefit from its features.

Menu Options

Select menu options by

- Pressing the POWER or RETURN button *once* to turn ON the controller. At that time you may press SEARCH (UP arrow) to begin the search routine or STOW (DOWN arrow) to return the mount to its stowed or travel position. If you press POWER or RETURN *again* this will enter you into the menu options.
- Press the UP ARROW to step through the menu.
- When desired function is displayed press the Power or Return Arrow to select that function.

SHUT DOWN

- Press the Return Arrow select the SHUT DOWN option and press Return. The power will turn OFF.
- Pressing and holding the Return Arrow for 3 seconds will turn the power OFF.

SEARCH

- Press the UP Arrow after turning power ON to begin the satellite search for satellites.

STOW

- Press the DOWN Arrow or STOW button after turning power ON to return your mount to its stowed or travel position.

MANUAL MOTOR MOVEMENT

MOVE AZ

- When moving through the menu options and MOVE AZ appears, pressing the RETURN button will allow you to move or rotate the mount in Azimuth in a clockwise motion by pressing and holding the UP Arrow and counterclockwise by pressing and holding the DOWN Arrow.

MOVE EL

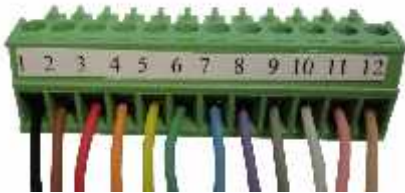
- When moving through the menu options and MOVE EL appears, pressing the RETURN button will allow you to elevate the mount by pressing and holding the UP Arrow or by holding the DOWN Arrow.

MOVE SK

- When moving through the menu options and MOVE SK appears, pressing the RETURN button will allow you to rotate the dish by pressing and holding the UP Arrow to move the left side of the dish down by holding the DOWN Arrow it will move the right side of the dish down.

C *onnector Wiring Diagram*

Wiring the 12 Pin Controller Connector



Pin Used	Color	How Used	Where
1 =	BLACK	Motor	-Azimuth
2 =	BROWN	Motor	+Azimuth
3 =	RED	Motor	-Elevation
4 =	ORANGE	Motor	+Elevation
5 =	YELLOW	Motor	- Skew
6 =	GREEN	Motor	+Skew
7 =	BLUE	Count	Azimuth
8 =	VIOLET	Count	Elevation
9 =	GRAY	Count	Skew
10 =	WHITE	Ground	
11 =	PINK	12 Volts DC	
12 =	TAN	GPS TXD	

RAISING THE ODU USING A 12 VDC SOURCE

TO RAISE THE MOUNT WITH A BATTERY

Touch the following wires from the control cable directly to a drill battery or any 12 VDC source and it will result in movement of the ODU. To reverse the direction, reverse the wires to your battery.

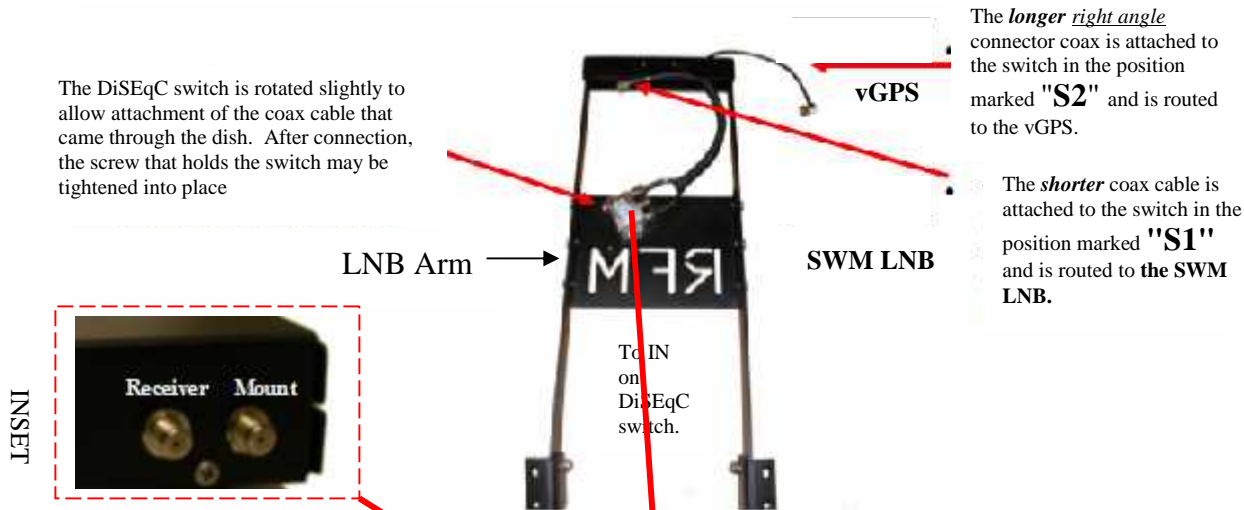
- **ELEVATION *Red and Orange*** will raise and lower the mount
- **AZIMUTH *Black and Brown*** will rotate the dish
- **SKEW *Yellow and Green*** will tilt dish.

<u>Wire Color</u>	<u>Wire Function</u>
BLACK	+AZ
BROWN	-AZ
RED	+EL
ORANGE	-EL
YELLOW	- SKEW
GREEN	+SKEW

vGPS

Block Diagram

The DiSEqC switch is rotated slightly to allow attachment of the coax cable that came through the dish. After connection, the screw that holds the switch may be tightened into place



The longer right angle connector coax is attached to the switch in the position marked "S2" and is routed to the vGPS.

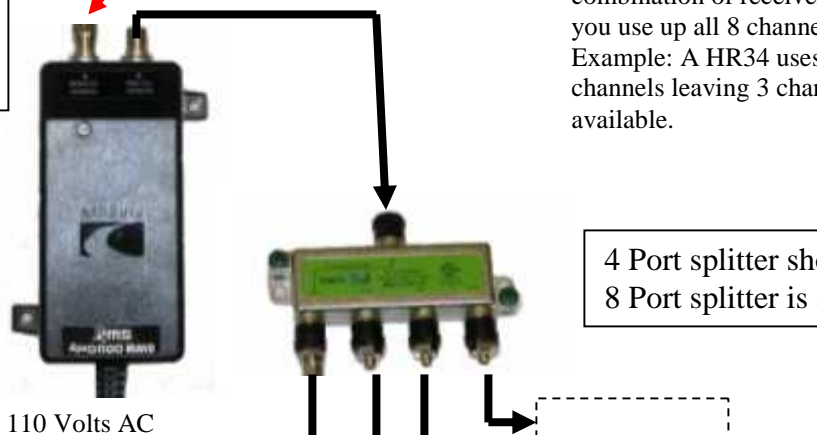
The shorter coax cable is attached to the switch in the position marked "S1" and is routed to the SWM LNB.



Note: See bottom of IDU for wiring instructions.

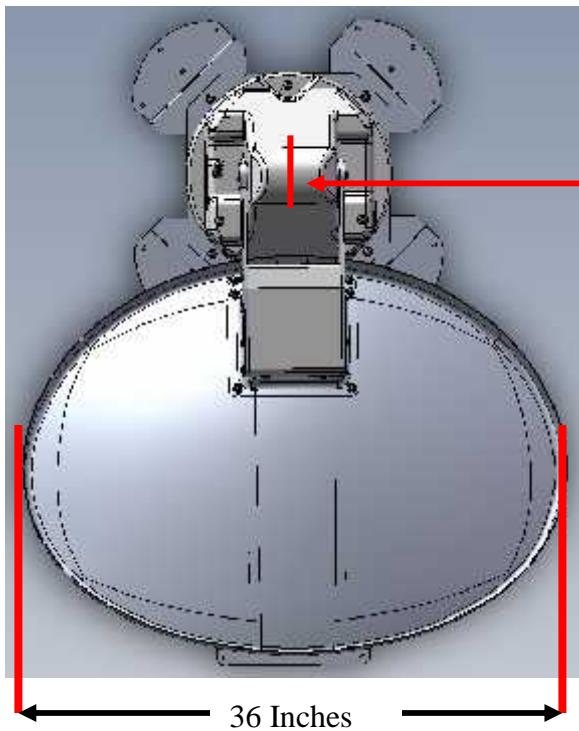
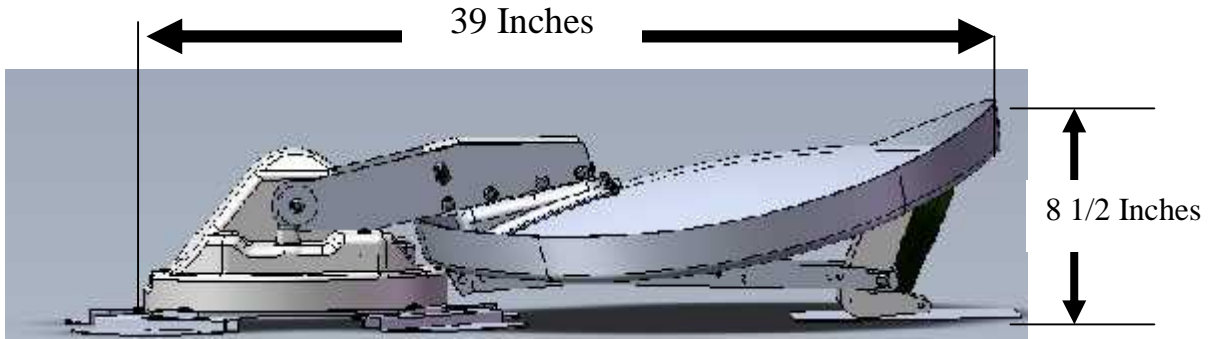
Note:

The SWM LNB has 8 channels available. Each DVR takes 2 channels (one coax). A non DVR uses one channel (one coax). You may use any combination of receivers until you use up all 8 channels. Example: A HR34 uses 5 channels leaving 3 channels available.



DIRECTV SWM INSTALLATION

Footprint and Clearances



Rotational clearance from center rotation point is 18 inches when dish is elevated and rotating. This is a safety zone.

CONTROLLER
10" Wide
6" Deep
2" high





POWER

Pressing the POWER button once will turn the power ON or by holding the button depressed for 3 seconds will turn the power OFF.

FIND(UP ARROW)

After the power is turned ON pressing the FIND button once will instruct the mount to begin its searching routine and locate the satellites according to the configuration software.

If the Power is pressed the second time then the UP ARROW and DOWN ARROW will move through the Option Menu.

STOW: (DOWN ARROW)

Pressing the STOW button will instruct the mount to return to its stowed or travel position and the power will turn OFF automatically. Note: be sure 12 VDC is present.

Pressing the DOWN ARROW at the appropriate time will navigate the Option Menu.

AFTER LOCKING ONTO THE PROPER SATELLITE:

The controller will remain ON for 15 minutes and then automatically turn OFF.

AFTER STOWING:

The controller will automatically turn OFF.

LCD *Displays*

The LCD Display is designed to let you know the status of the mount as to its function at any given time. It will also display messages according to its directive to specific functions.

Symptoms as to a operational malfunction will also be displayed. This information will be helpful when describing your systems malfunction to your installing dealer or a service technician.

Service messages

Service messages will be displayed on the LCD screen should a condition occur that a person should be alerted to. If a condition should occur the following Service Messages will be displayed:

Returning Parts to the Factory

Parts returned to the factory must contain a Return Material Authorization (RMA) which will be provided by the RF Mogul Technical Support Department at the time of troubleshooting. This will ensure proper accountability of returned equipment or parts. Make sure that the following information is contained on your shipment.

RF Mogul

Attn: Product Evaluation Department

RMA # _____

3604 South Via Terra

South Salt Lake City, UT 84115

You must include your Return Address and Telephone Number failure to do so may result in you being billed for a non-returned part.

We appreciate your business. If you need to contact us please see the information below.

RF Mogul

3604 South Via Terra

South Salt Lake City, UT 84115

Tele 801-895-3308

Fax 801-478-5850

www.rfmogul.com

sales@rfmogul.com

support@rfmogul.com

