



Piranha Phantom Vacuum Cleaner

For Household Use Only



Model No.: VC4501(A)-5

Item No.: 900656

240Va.c. 50Hz

2400W Max

Rev 3

Note: The specifications and/or components of this appliance are subject to change without prior notice.

If the Hose, Floor Head or any Accessories should fail during use, please call 1800 079 124 for an immediate replacement. This will save you from returning the product to the store.

If we can assist you in any other way, please feel free to contact us

1	Warnings.....	3
2	Safety Direction.....	3
3	Transporting your Vacuum	6
4	Specification.....	6
5	Schematic Wiring Diagram.....	6
6	Components	7
7	Assembly Method	8
7.1	Fitting Flexible Hose.....	8
7.2	Hose Removal.....	8
7.3	Fitting Telescopic Tube and Accessories.....	8
7.5	Tools.....	9
7.6	Tool Holder.....	9
8	Power and Power Cord	9
9	Suction Relief Valve	10
10	Floor Head	10
12	Safety Devices Operation	11
13	Emptying the Dust Canister	11
14	User Maintenance	12
14.1	Cleaning Filters.....	12
14.1.1	Pre Motor Foam Filter.....	13
14.1.2	Main Filter	13
14.1.3	Exhaust Air Filter	14
14.2	Cleaning the Vacuum Cleaner and Components.....	15
15	Troubleshooting.....	15
16	Warranty Against Defect	16

1 Warnings

Before using this appliance, read and follow all warnings and instructions in this manual, even if you are familiar with this product.

This appliance is not intended for use by persons (including children) with reduced physical, sensory or mental capabilities, or lack of experience and knowledge, unless they have been given supervision or instruction concerning use of the appliance by a person responsible for their safety.

Young children should be supervised to ensure that they do not play with the appliance.

2 Safety Direction

Please read this instruction manual carefully before first use. It is advisable to keep this instruction manual for future reference.

DO NOT vacuum water, wet objects, liquids, ashes, hot coals, cigarette butts, matches or any hot, smoking or burning objects, etc.

DO NOT pick up flammable or combustible materials (i.e. lighter fluid, petrol, kerosene, etc.) or use in the presence of explosive liquids or vapour.

DO NOT pick up toxic material (i.e. chlorine bleach, ammonia, drain cleaner, etc.)

DO NOT vacuum Toner (for laser printer, copy machines etc) as there is a risk of fire and explosion.

DO NOT vacuum plaster, cement etc. as the filter can become blocked.

DO NOT use the vacuum without all the filters fitted.

DO NOT store or use the appliance near high temperature areas.

DO NOT run over the power cord with the vacuum cleaner.

DO NOT use the vacuum cleaner if it is blocked. Turn off and clear all blockages before continuing.

DO NOT use the vacuum cleaner with blocked filters. Clean filters before continuing. (refer to User Maintenance section).

DO NOT use the vacuum cleaner if the appliance malfunctions, abnormal noise, smell, smoke, is dropped or damaged in any manner or any breakage is found during operation.

Return appliance to the nearest authorised service agent or similarly qualified person for a thorough examination, repair, electrical or mechanical adjustment.

DO NOT misuse the cord. Never pull the appliance by the cord or pull to disconnect it from the outlet. Instead, grasp the plug and pull to disconnect.

DO NOT use the vacuum cleaner to pick up large objects, hard or sharp objects such as glass, nails, screws, coins, etc. that are likely to cause damage.

DO NOT use with damaged cord or plug.

DO NOT use vacuum cleaner if it has been dropped, damaged, left outdoors, or dropped into liquid (water etc).

DO NOT close door on cord, or pull cord around sharp edges or corners.

Cord Rewind - **DO NOT** allow the cord and plug to whip back at full speed. Guide the cord and plug in gently.

DO NOT handle plug or vacuum cleaner with wet hands.

DO NOT put any objects into openings.

DO NOT use with any openings blocked and do not restrict airflow.

DO NOT operate the appliance with a damaged cord or plug.

If the supply cord is damaged, it must be replaced by the manufacturer, its service agent or similarly qualified persons in order to avoid a hazard.

DO NOT use without filters in place.

DO NOT attempt to modify this product in any way.

DO empty the Dust Canister regularly for optimal operation of the vacuum.

DO keep hair, loose clothing, fingers, feet and body parts away from openings or moving parts.

DO disconnect the appliance from the mains supply before connecting the flexible suction hose.

DO turn off controls before you connect or disconnect the appliance to or from the mains supply.

DO disconnect the appliance from the power supply when not in use, before changing the dust filter, cleaning the filters or connecting / disconnecting the accessories.

DO use only on dry, indoor surfaces.

DO use only as described in this manual. Use only manufacturer's recommended attachments.

DO Keep cord away from heated surfaces.

DO Keep all openings free of dust, lint, hair, and anything that may reduce airflow.

DO use extra care when vacuuming on stairs.

DO keep your work area well lit.

DO store your appliance indoors in a cool, dry area.

DO ensure children and babies cannot play with plastic bags or any packaging materials.

DO operate the appliance from a power source of the same voltage, frequency and rating as indicated on the product identification plate

If this appliance is used by a third party, **DO** supply the instruction manual with it.

No liability can be accepted for any damage caused by non-compliance with these instructions or any other improper use or mishandling of appliance.

This product has not been designed for any uses other than those specified in this manual.

ONLY for domestic use. Industrial or commercial use invalidates the warranty.

Read and Save These Instructions

3 Transporting your Vacuum

To move your vacuum cleaner from room to room, unplug the unit and carry using the carry handle.

Never pull or carry the vacuum cleaner by its cord.

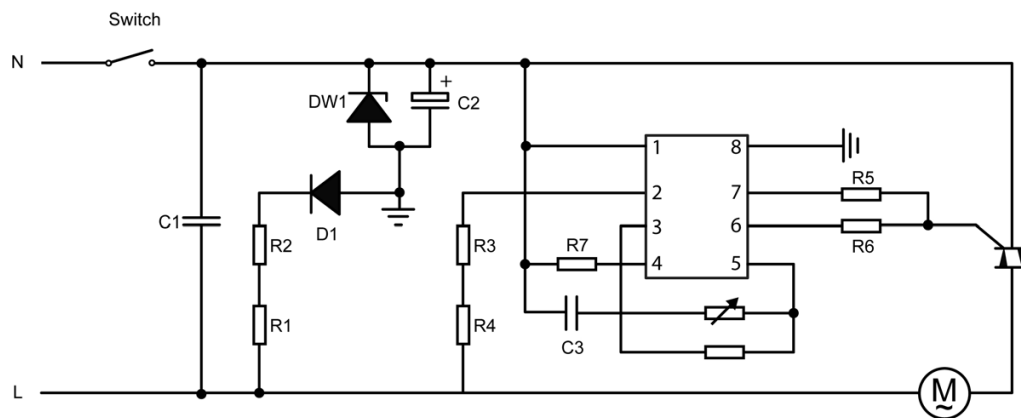
Never carry the vacuum cleaner by the flexible hose.

4 Specification

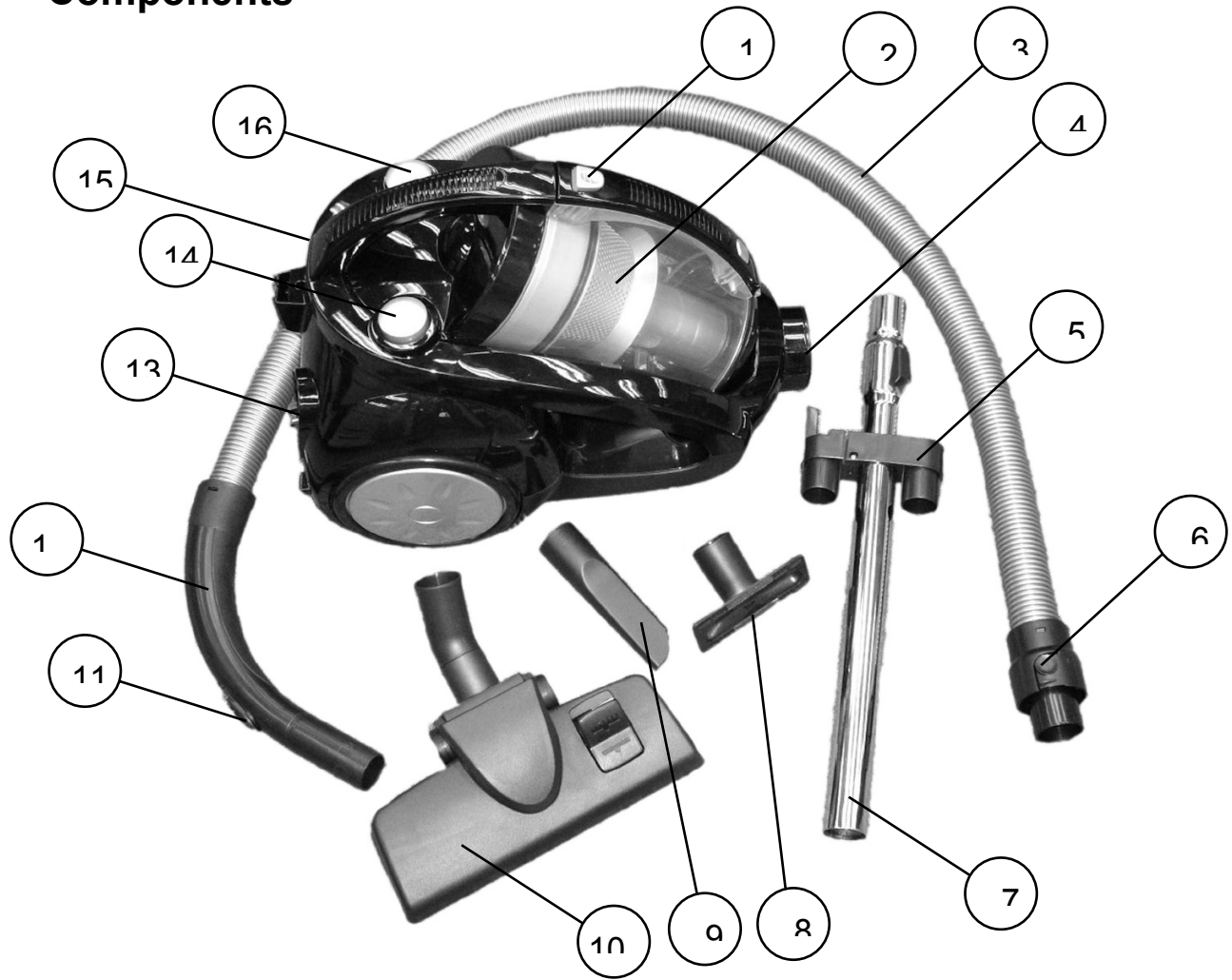
Supply: 240Va.c. 50Hz

Rated Power: 2400W Max

5 Schematic Wiring Diagram



6 Components



1	Dust Canister Release Button	9	Crevice Tool
2	Dust Canister	10	Floor Head
3	Hose	11	Suction Strength Control Slide
4	Hose Connector	12	Handle
5	Tool Holder	13	Cord and Plug
6	Hose Coupling	14	Cord Rewind Button
7	Telescopic Tube	15	Exhaust Grille & Filter
8	Upholstery Tool	16	On/Off Switch Button / Variable Speed Controls

7 Assembly Method

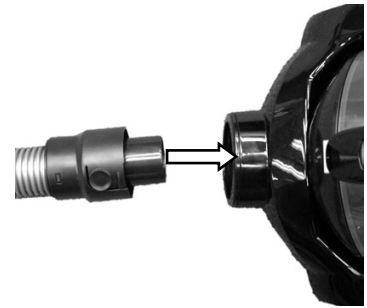
Please Note: Always remove the plug from the power socket before fitting or removing accessories.

Ensure all Filters are fitted, and fitted correctly before using.

7.1 Fitting Flexible Hose

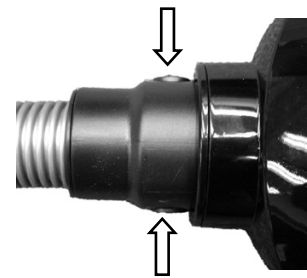
Insert the coupling end of the vacuum cleaner hose (6) into the Hose Connector (4) and push inward until it locks into place.

The side locking buttons (which are located on the sides of the hose coupling) must be horizontal when pushing in.



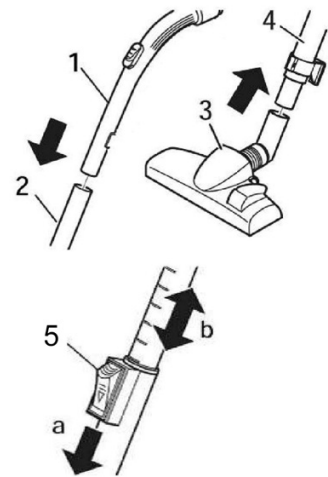
7.2 Hose Removal

To remove flexible hose from the vacuum cleaner, push the buttons in which are located on the sides of the hose coupling and then pull the coupling straight out.



7.3 Fitting Telescopic Tube and Accessories

- Insert the handle (1) into the upper end of the telescopic tube (2).
- Insert the lower end of the telescopic tube (4) into the Floor Head (3).
- To adjust the length of the telescopic tube, press the telescopic tube lock button (5) down, and then pull the handle and tube out to the desired length.



7.5 Tools

The Crevice tool is used for cleaning down the side of sofas and into corners, etc.

The Upholstery tool is used for cleaning sofas and curtains, etc.



7.6 Tool Holder

There is a convenient tool holder on the telescopic tube where the Crevice tool and Upholstery tool can be stored when not in use.

Simply push the tools onto the location spigots, or to remove, simply pull and off.



8 Power and Power Cord

- Before using the appliance, unwind the cord fully up to the yellow mark and insert the plug into the power supply.

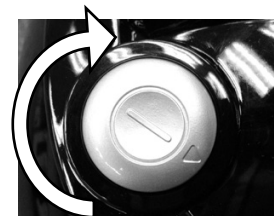
The yellow mark on the cord shows the ideal cord length.

- Do not extend the cord past the red mark.

Note: To rewind the cord, press the Cord Rewind Button whilst controlling the cord with the other hand to ensure that it does not whip back causing damage to your person or surroundings.³



- Press the On / Off button.
- You can adjust the vacuum cleaner power by rotating the On / Off button clockwise or anti-clockwise.
- Decrease power for cleaning curtains, books, furniture, etc.
- Increase power for cleaning the bare floor.



9 Suction Relief Valve

The Suction Relief Valve is used for easy, temporary reduction of the vacuum cleaner suction at the floor head.

Slide the Suction Control Slide to the open position to reduce the suction power and then slide close to revert back to full suction power at the floor head.



10 Floor Head

The floor head is adjustable to suit either hard floors or carpets.

The floor head has two settings. When cleaning hard surfaces (parquet flooring, tiles, etc.), the floor head brushes should be extended.

When cleaning carpets and rugs, the brushes should be retracted into the floor head.

Press the brush change button to switch between the two settings.



Note: If, during vacuuming, you need to pause to move furniture etc., you can place the floor head in the parking holder using the hook on the back of the floor head.



12 Safety Devices Operation

NOTE: The motor has an overheating protection device built in.

It will automatically switch off power to the motor if it overheats. e.g. from blocked nozzles, full dust Canister or uncleaned blocked filters.

If this happens, turn off the vacuum and unplug from power socket, clean blockage and / or filters and allow to rest for at least 60 minutes which should be enough time for the motor to cool down.

Important: If the over-temperature device activates and turns the motor off, and you do not unplug the appliance from the power point, the motor will restart automatically after it has cooled down enough to reset the safety device.

NOTE: The vacuum cleaner has a Vacuum Suction Relief Valve built into the handle of the dust canister. **NEVER BLOCK THIS OPENING.**

13 Emptying the Dust Canister

Empty the Dust Canister as frequently as possible or when the suction power is reduced.

- To remove the Dust Canister, turn off the power and unplug.
- Grip the handle on the Dust Canister, press the Dust Canister Release Button and pull the Dust Canister forward and out of the housing.



- Take the dust container to a dustbin.
- Press the Trap Door release button on the lower part of the handle and the trap door will open emptying the contents into the bin.



- To close the trap door, close it manually until it clips shut.
- Brush the inside of the dust canister with a small brush or wash. Refer to section “Cleaning Filters”.

14 User Maintenance

WARNING: The plug must be removed from the power socket before any maintenance or replacement.

NOTE: To maximise the performance of your vacuum cleaner, you should clean your filters regularly.

If the filters are broken or worn, replace them before continuing to use the vacuum.

Filters can be purchased from our Customer Service. You can call our customer service toll free number: 1800 079 124 or via email info@hegroup.com.au

14.1 Cleaning Filters

Important Note – the Filters must be cleaned regularly for best suction performance and to prevent over-heating and damage to your vacuum cleaner.

Cleaning is best done at the same time when emptying the dust Canister after you have finish vacuuming for the day.

NOTE: Never use the vacuum cleaner with wet or damp filters or without ALL filters fitted.

Using wet or damp filters will damage the filters, may cause serious damage to the vacuum cleaner and will void your warranty.

14.1.1 Pre Motor Foam Filter

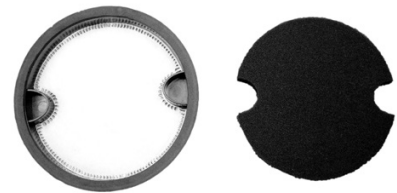
Remove the Dust Canister as described prior.

The Pre Motor Filter is located in the top section of the Vacuum cleaner where the Dust Canister was removed from.

Remove this Filter by rotating it and pulling out of its recess.



Remove the foam from the holder and wash the foam filter in warm mild soapy water, rinse in clean fresh cold water and let dry.



Only clean the white filter if it is very dirty. wash the filter in warm mild soapy water, rinse in clean fresh cold water and let dry.

DO NOT scrub the filter or place in a dishwasher.

DO NOT use a hair drier to dry the filter.

NOTE: Never use the vacuum cleaner with wet or damp filters. Using wet or damp filters will damage the filters, may cause serious damage to the vacuum cleaner and will void your warranty.

Place the Foam Filter back in its recess (or replace with a new one) then reinsert into the Vacuum Cleaner.

14.1.2 Main Filter

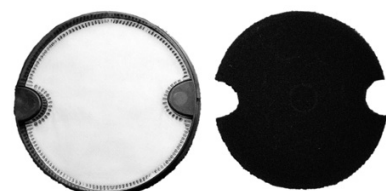
Remove the Dust Canister from the vacuum cleaner.

Remove the filter assembly from the top of the dust canister by rotating clockwise and pulling upward.

Wash the Foam Filter in warm mild soapy water, rinse in clean fresh cold water and let dry.



Only clean the white filter if it is very dirty. wash the filter in warm mild soapy water, rinse in clean fresh cold water and let dry.



DO NOT scrub the filter or place in a dishwasher.

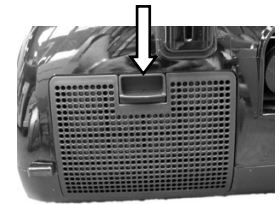
DO NOT use a hair drier to dry the filter.

Refit once dry (or replace with a new one).

14.1.3 Exhaust Air Filter

The exhaust air filter cleans the air a final time before it leaves the vacuum cleaner.

You can access and clean the exhaust air filter as follows: (this is located at the rear of the vacuum cleaner)



Press down the latch tab and pull open the Rear Exhaust Air Grille.

Remove the Filter from the Rear Exhaust Air Grille.



Wash the Filter in warm mild soapy water, rinse in clean fresh cold water and let dry before refitting.



DO NOT scrub the filter or place in a dishwasher.

DO NOT use a hair drier to dry the filter.

NOTE: Never use the vacuum cleaner with wet or damp filters. Using wet or damp filters will damage the filters, may cause serious damage to the vacuum cleaner and will void your warranty.



Refit the Filter to the Rear Exhaust Air Grille (or replace with a new one)

Close the Rear Exhaust Air Grille.

14.2 Cleaning the Vacuum Cleaner and Components

Do not clean the vacuum cleaner, components or accessories using petrol or any other flammable liquid or solvents, etc.

Clean only the outside of the vacuum cleaner.

Use only a moist cloth and mild detergent for cleaning the vacuum cleaner, components and accessories.

After cleaning, wipe off the moisture on vacuum cleaner, components and accessories with a dry cloth.

Do Not place accessories and components in a dishwasher.

15 Troubleshooting

Noisy operation	Clean the Filters and empty the Dust Canister
Suction Not Strong	Clean the Filters and empty the Dust Canister. Check for blockages and unblock Check that the Suction Relief Valve on the hose handle is closed. Check that the Motor speed control knob is set to Max suction Power
Over-heating / Stopping	Clean the Filters, empty the Dust Canister, check for blockages and unblock then allow it to cool for up to hour before trying to restart.
Floor Brush hard to push	Due to the strong suction of your vacuum cleaner, it may be difficult to push, especially over thick carpet. Rather than force the Floor Brush, lift the Floor Brush momentarily to allow air to flow into the vacuum releasing the built up suction pressure, then continue vacuuming. Slide open the vacuum Suction Relief Valve located on the hose handle. This will reduce suction to the floor head. Adjust the Motor speed control knob to a lower power level

16 Warranty Against Defect

WHAT'S COVERED?

- 1.1 H.E. Group Pty Ltd ("us" "we" or "our") warrants this good for a full replacement or refund for a period of twelve months from the date of purchase.
- 1.2 This warranty covers materials and workmanship defects only.

WHAT IS NOT COVERED?

- 2.1 This good is for household use only and if used in any way other than as detailed in the instruction manual will void this warranty.
- 2.2 This warranty does not apply to defects arising from abuse, alteration, unauthorised or unreasonable use of the good, nor does it cover general deterioration due to usage.
- 2.3 This warranty does not apply to accessories due to general deterioration or acts beyond human control.

WHAT WE WILL DO

- 3.1 We will replace the good or provide a refund to the value of the purchase price, if a defect is discovered in the good during the warranty period of twelve months subject to verification of defect or malfunction and the date and proof of purchase and purchase price.

WARRANTY COSTS

- 4.1 Once we have received the goods and you have complied with the warranty, our costs associated with the warranty claim will be borne by us.
- 4.2 No responsibility will be taken for goods lost, mislaid or damaged whilst in transit.

GENERAL

- 5.1 The benefits of this warranty are additional to any other rights and remedies you may have under law.

- 5.2 Our goods come with guarantees that cannot be excluded under Australian Consumer Law. You are entitled to a replacement or refund for a major failure and compensation for any other reasonably foreseeable loss or damage.

You are also entitled to have the goods repaired or replaced if the goods fail to be of acceptable quality and the failure does not amount to a major failure.

- 5.3 Notwithstanding 5.1, except as provided for in this warranty, all express and implied warranties and conditions under statute or general law as to the merchantability, description, quality, suitability or fitness of the goods for any purpose, or as to design, assembly, installation, materials or workmanship or otherwise are (where permitted under law) expressly excluded.

- 5.4 To the extent permitted by law, our total liability for loss or damage of every kind related to the good in any way whatsoever is limited to the amount paid to the retailer by you for the good or the value of the good.

- 5.5 These terms and conditions supersede and exclude all prior and other discussions, representations (contractual or otherwise) and arrangements relating to the supply of the goods or any part of the goods. This includes representations not made by us relating to the performance of the goods or any part of the goods or the results that ought to be expected from using the good.

CUSTOMER CARE

- 6.1 To claim under this warranty, you must first contact our friendly customer service team on free call 1800 079 124 or via email info@hegroup.com.au and explain the basis of your claim. Our customer service team will then provide you with directions on how to make your claim under this warranty.

- 6.2 This warranty is valid with the presentation of the original proof of purchase receipt or tax invoice originating from the store of purchase for the product showing the retailer's name, date of purchase and amount paid, by you, for the good.

Address: HE Group Pty Ltd, 47 Stephenson Street, Cremorne, Victoria 3121
Phone No: 1800 079 124 (free call)
Email: info@hegroup.com.au

April 2011 Edition