

Service Manual

ORDER NO.
RRV1965

AUDIO/VIDEO MULTI-CHANNEL RECEIVER

VSX-D507S

VSX-D457

● Refer to the service manual RRV1911 for VSX-D507S/KUXJI.

THIS MANUAL IS APPLICABLE TO THE FOLLOWING MODEL(S) AND TYPE(S).

Type	Model		Power Requirement	The voltage can be converted by the following method.
	VSX-D507S	VSX-D457		
SDXJI	○	○	AC110V/120-127V/220V/240V	With the voltage selector
SDXJI/NC	○	—	AC110V/120-127V/220V/240V	With the voltage selector

CONTENTS

1. CONTRAST OF MISCELLANEOUS PARTS	2
2. SCHEMATIC DIAGRAM	6

1. CONTRAST OF MISCELLANEOUS PARTS

NOTES : ● Parts marked by “NSP” are generally unavailable because they are not in our Master Spare Parts List.

● The \triangle mark found on some component parts indicates the importance of the safety factor of the part.

Therefore, when replacing, be sure to use parts of identical designation.

● Reference Nos. indicate the pages and Nos. in the service manual for the base model.

● When ordering resistors, first convert resistance values into code form as shown in the following examples.

Ex. 1 When there are 2 effective digits (any digit apart from 0), such as 560 ohm and 47k ohm (tolerance is shown by J = 5%, and K = 10%).

560 Ω \rightarrow $56 \times 10^1 \rightarrow 561$ RD1/4PU $\begin{matrix} 5 & 6 & 1 \\ \hline & & J \end{matrix}$

47k Ω \rightarrow $47 \times 10^3 \rightarrow 473$ RD1/4PU $\begin{matrix} 4 & 7 & 3 \\ \hline & & J \end{matrix}$

0.5 Ω \rightarrow R50 RN2H $\begin{matrix} R & 5 & 0 \\ \hline & & K \end{matrix}$

1 Ω \rightarrow 1R0 RS1P $\begin{matrix} 1 & R & 0 \\ \hline & & K \end{matrix}$

Ex. 2 When there are 3 effective digits (such as in high precision metal film resistors).

5.62k Ω \rightarrow $562 \times 10^1 \rightarrow 5621$ RN1/4PC $\begin{matrix} 5 & 6 & 2 & 1 \\ \hline & & & F \end{matrix}$

■ CONTRAST OF VSX-D507S/ SDXJI, SDXJI/NC and VSX-D457/SDXJI

VSX-D507S/SDXJI, SDXJI/NC, VSX-D457/SDXJI and VSX-D507S/KUXJI are constructed the same except for the following:

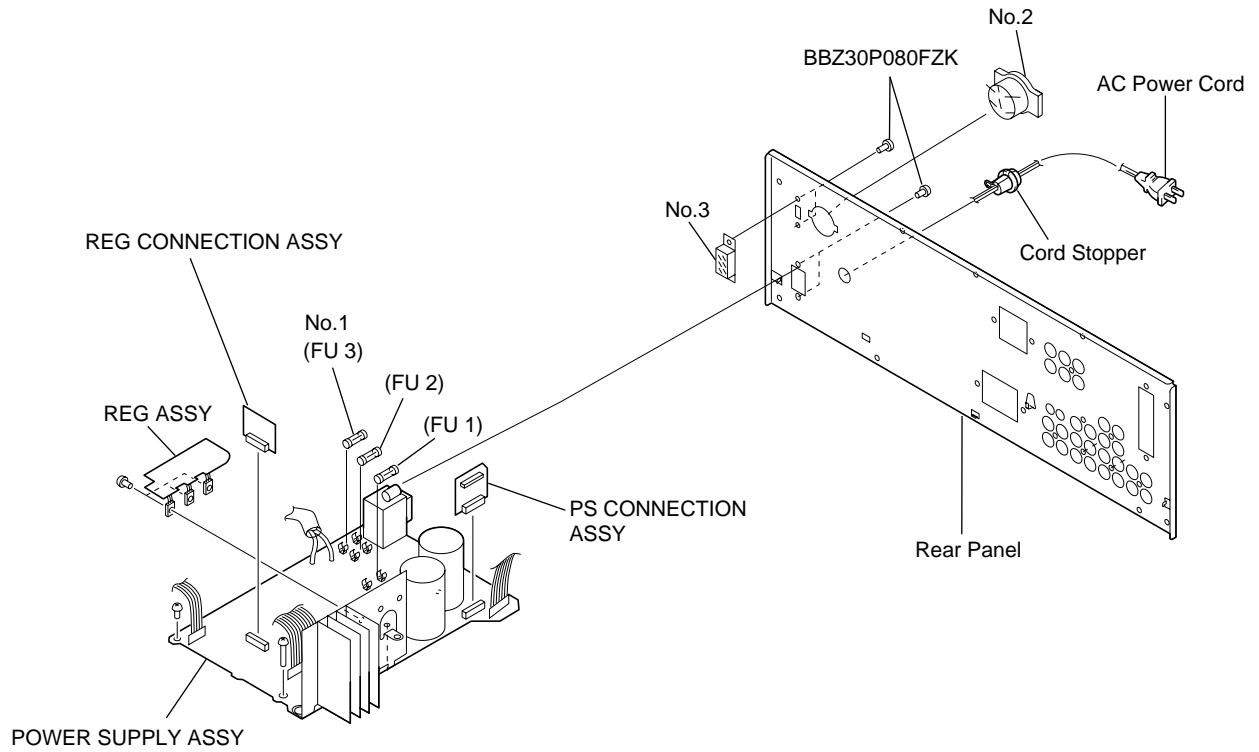
Ref. No.	Mark	Symbol and Description	Part No.				Remarks
			VSX-D507S /KUXJI	VSX-D507S /SDXJI	VSX-D507S /SDXJI/NC	VSX-D457 /SDXJI	
ASSEMBLIES							
P5-1	NSP	MOTHER ASSY	AWK7432	AWK7432	AWK7432	AWK7429	
P6-1	NSP	└ INPUT ASSY	AWX7102	AWX7102	AWX7102	AWX7091	
		└ HP & FAV ASSY	AWX7103	AWX7103	AWX7103	AWX7094	
P5-6 P5-7 P6-2	NSP	FRONT & PS ASSY	AWK7433	AWK7434	AWK7434	AWK7431	
		└ POWER SUPPLY ASSY	AWX7096	AWX7101	AWX7101	AWX7101	
		└ VIDEO ASSY	AWX7105	AWX7105	AWX7105	AWX7098	
		└ FL & UCOM ASSY	AWX7104	AWX7168	AWX7168	AWX7167	
PACKING							
P3-3		Operating Instructions (English)	ARB7134	Not used	Not used	Not used	
		Operating Instructions (English/Spanish/Chinese)	Not used	ARE7166	ARE7166	ARE7164	
P3-4	NSP	Warranty Card	ARY1051	Not used	Not used	Not used	
P3-5		Remote Control Unit (CU-VSX126)	Not used	Not used	Not used	AXD7156	
P3-5		Remote Control Unit (CU-VSX127)	AXD7158	AXD7158	AXD7158	Not used	
P3-6		Battery Cover	Not used	Not used	Not used	RZN1156	
P3-7	NSP	Dry Cell Battery (LR6,AA)	AEX1007	AEX1007	VEM1012	Not used	
P3-7	NSP	Dry Cell Battery (R6P,AA)	Not used	Not used	Not used	VEM-013	
P3-11		Packing Case	AHD7554	AHD7555	AHD7599	AHD7553	
P3-13		Sub Instructions (English)	ARH7033	ARH7033	ARH7033	Not used	
EXTERIOR							
P5-11	\triangle	Power Transformer (T1:AC120V)	ATS7207	Not used	Not used	Not used	
P5-11	\triangle	Power Transformer (AC110V/120-127V/220V/240V)	Not used	ATS7209	ATS7209	ATS7209	
P5-12	\triangle	Fuse (FU2: 6.3A)	VEK1026	Not used	Not used	Not used	
		Fuse (FU2,FU3: 3.15A)	Not used	AEK7055	AEK7055	AEK7055	No.1
P5-13	\triangle	Fuse (FU1: 10A)	REK1087	REK1132	REK1132	REK1132	
P5-14	\triangle	AC Power Cord	PDG1015	ADG1157	ADG1157	ADG1157	
P5-19		Rear Panel	ANC7624	ANC7625	ANC7667	ANC7623	
P5-25		Insulator	PNW2766	PNW2766	PNW2766	AMR7198	
P5-32 P5-40	\triangle	Cord Stopper	CM-22C	CM-22B	CM-22B	CM-22B	
		Spacer	AEB7118	AEB7124	AEB7124	AEB7124	
P6-16		Sub Panel	AAP7041	AAP7041	AAP7041	AAP7038	
P6-17	\triangle	Front Panel	AMB7486	AMB7486	AMB7486	AMB7485	
		Voltage Selector (S1)	Not used	AKX-507	AKX-507	AKX-507	No.2
	\triangle	Voltage Selector (S2)	Not used	AKX1004	AKX1004	AKX1004	No.3

NOTE: ● The numbers in the remarks correspond to the numbers on the exploded diagram, Refer to "EXPLODED VIEWS".

● For ASSEMBLIES, Refer to "■ CONTRAST OF PCB ASSEMBLIES" and "2.SCHEMATIC DIAGRAM".

■ EXPLODED VIEWS

● EXTERIOR SECTION



■ CONTRAST OF PCB ASSEMBLIES

E INPUT ASSY

AWX7091 and AWX7102 are constructed the same except for the following:

Mark	Symbol and Description	Part No.		Remarks
		AWX7102	AWX7091	
	Q353 Q354 D351 RY351 CN108 5P PLUG	KRA103M KRC101M 1SS254 ASR7001 KM250MA5	Not used Not used Not used Not used Not used	

C HP & FAV ASSY

AWX7094 and AWX7103 are constructed the same except for the following:

Mark	Symbol and Description	Part No.		Remarks
		AWX7103	AWX7094	
	C552,C553 R557,R558 R559,R560 R561 CN552 5P PLUG JA554 PINJACK	CGCYX104M16 RD1/4PU331J RD1/4PU224J RD1/4PU750J KM250MA5 AKB7098	Not used Not used Not used Not used Not used Not used	

G FL & UCOM ASSY

AWX7168, AWX7167 and AWX7104 are constructed the same except for the following:

Mark	Symbol and Description	Part No.			Remarks
		AWX7104	AWX7168	AWX7167	
	D621 D622 D623 S621 R655	1SS254 Not used Not used ASG1034 Not used	1SS254 1SS254 Not used ASG1034 Not used	Not used Not used 1SS254 Not used RD1/4PU103J	

I F POWER SUPPLY ASSY

AWX7101 and AWX7096 are constructed the same except for the following:

Mark	Symbol and Description	Part No.		Remarks
		AWX7096	AWX7101	
	C702 C715 , C716 R703 R704 (2.2MΩ 1/2W) H705, H706 FUSE CLIP	CEAT471M16 ACH7018 (8200μF/71V) RD1/2PM270J RCN1080 Not used	CEAT102M16 ACH7019 (8200μF/80V) RD1/2PM330J Not used AKR1004	
⚠ NSP	T701 KN704 GROUND PLATE 706 3P TERMINAL	ATT1223 VNF1084 Not used	ATT1193 Not used AKC-081	

LF VIDEO ASSY

AWX7098 and AWX7105 are constructed the same except for the following:

Mark	Symbol and Description	Part No.		Remarks
		AWX7105	AWX7098	
	D931 D932 JA932 4P JACK	1SS254 Not used RKN1004	Not used 1SS254 Not used	

2. SCHEMATIC DIAGRAM

2.1 FL & UCOM ASSY

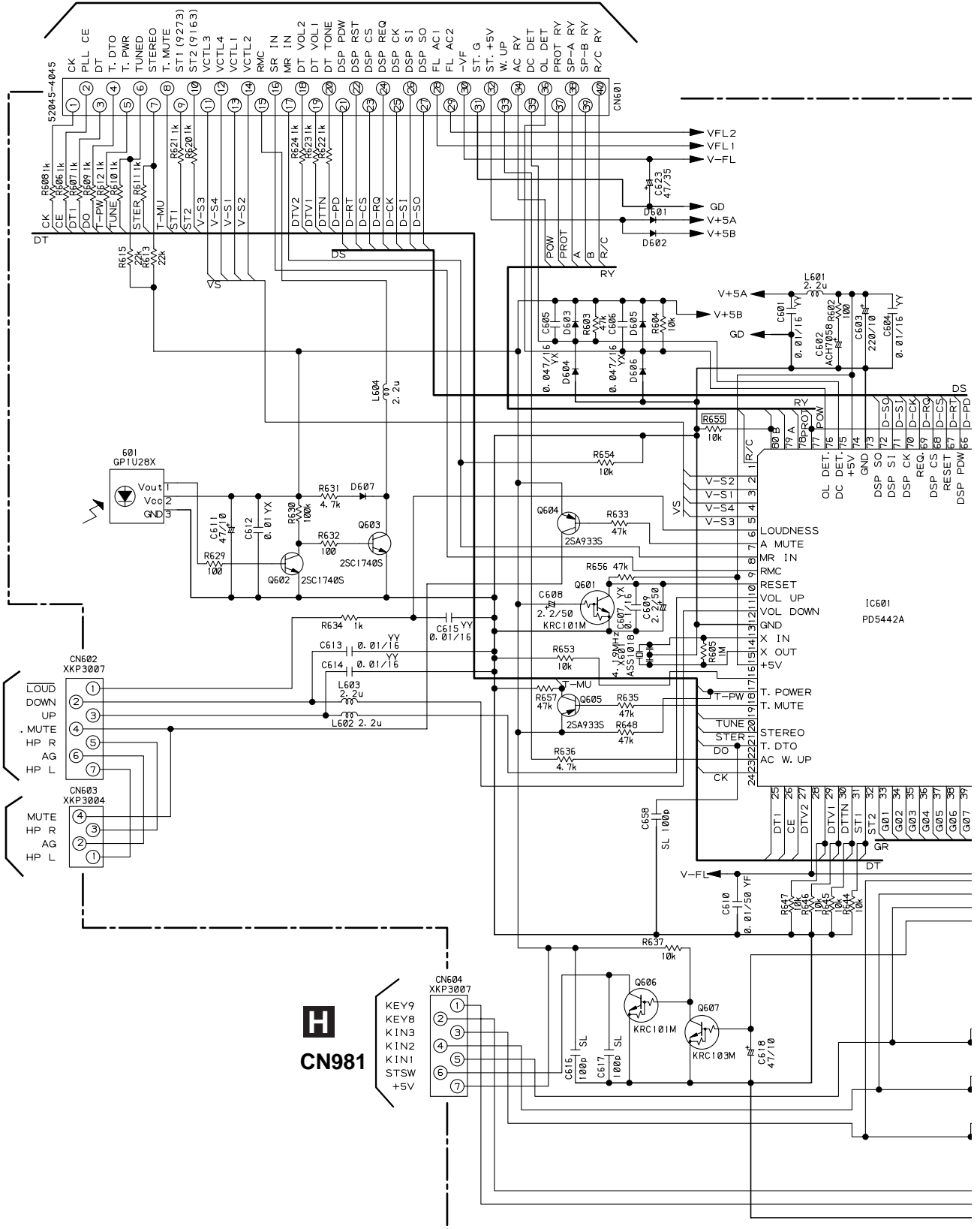
E 1/2 CN101

A

B

C

D

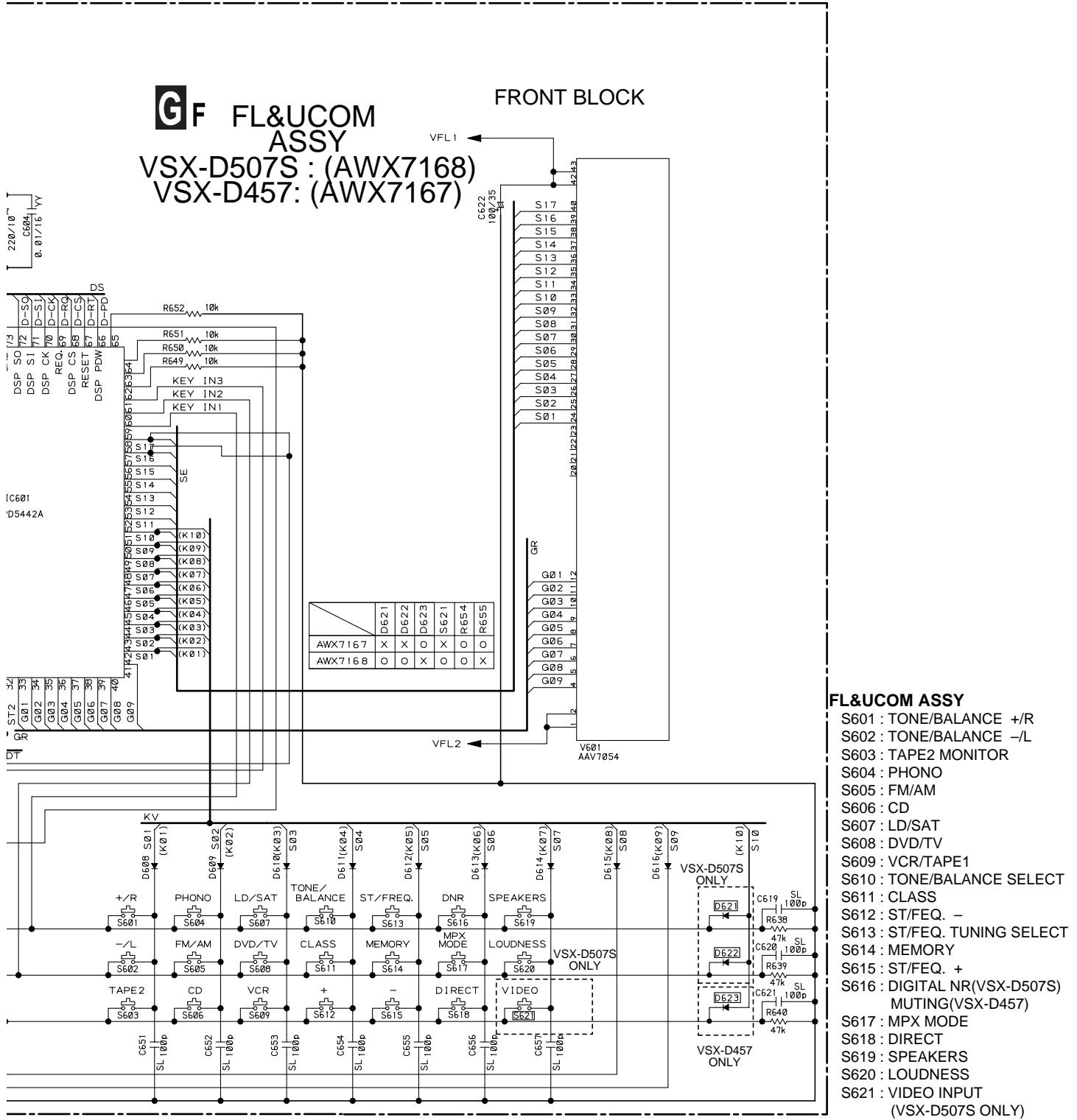


M CN803

C CN551

H CN981

NOTE: When ordering service parts, be sure to refer to "PARTS LIST of EXPLODED VIEWS" or "PCB PARTS LIST".



2.2 POWER SUPPLY ASSY

POWER SUPPLY ASSY
S711 : IMPEDANCE SELECTOR

F CN582

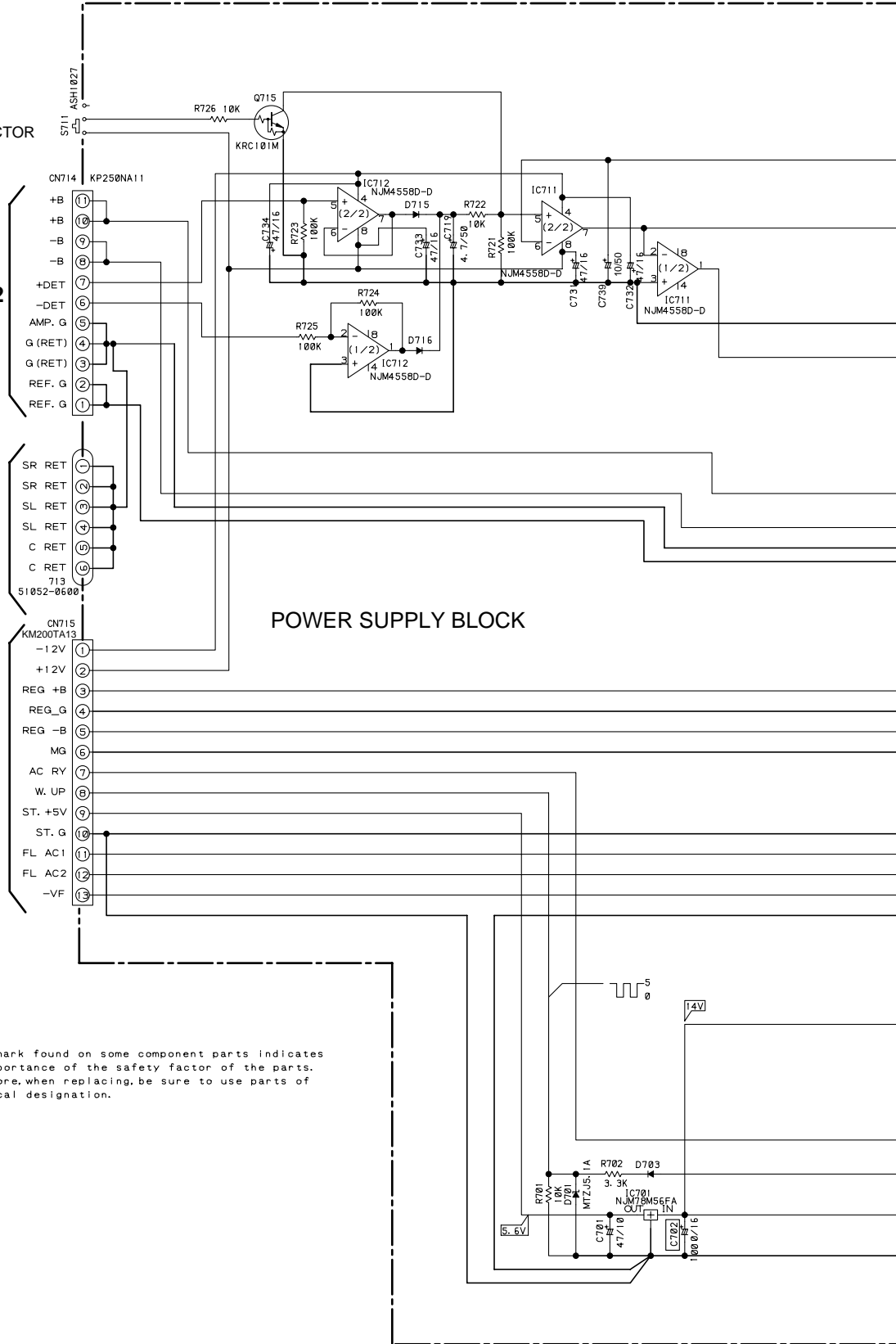
J15
DYY06-150-2651

A CN404

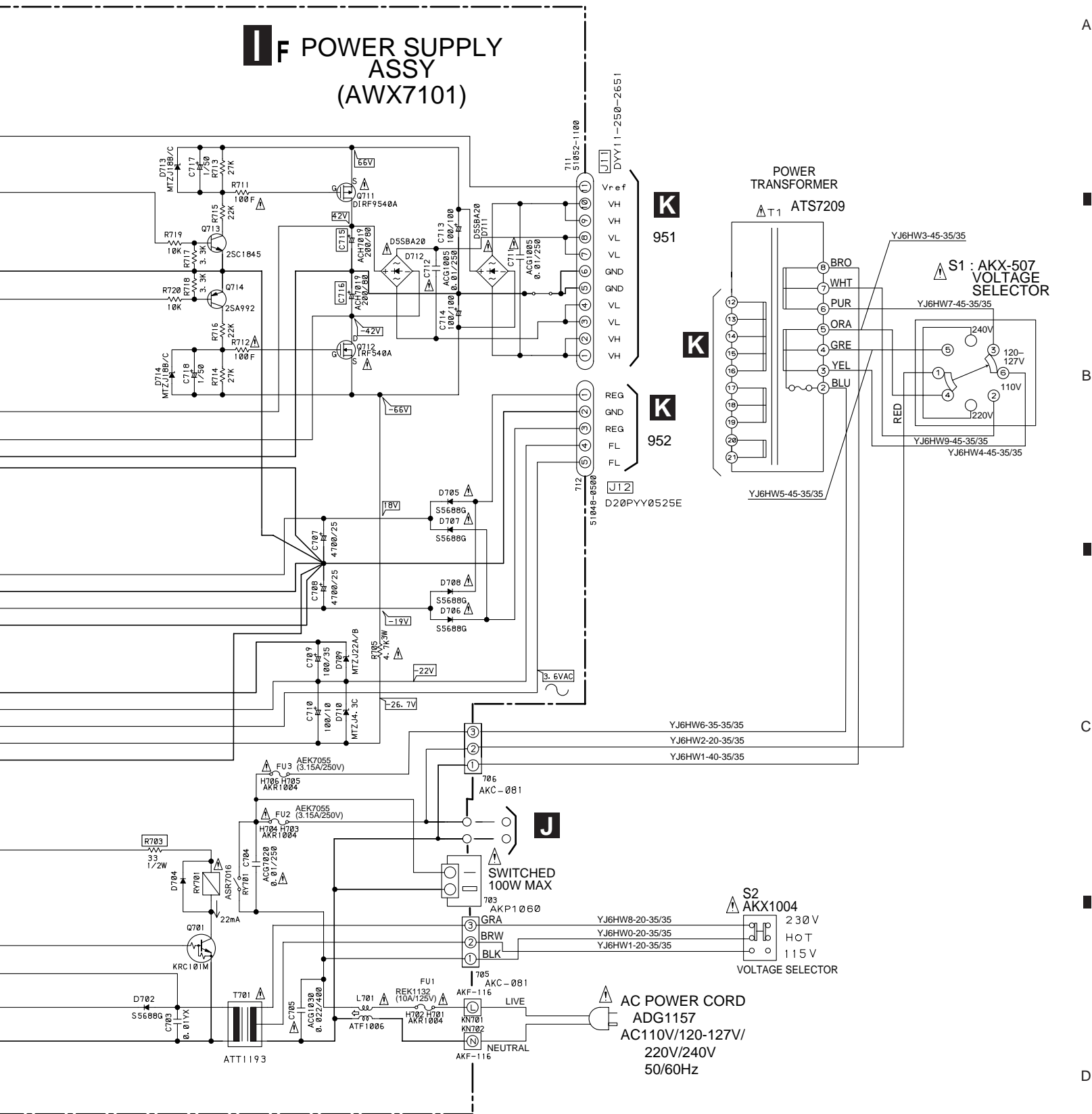
D CN572

POWER SUPPLY BLOCK

The Δ mark found on some component parts indicates the importance of the safety factor of the parts. Therefore, when replacing, be sure to use parts of identical designation.



POWER SUPPLY ASSY (AWX7101)



• NOTE FOR FUSE REPLACEMENT
CAUTION -FOR CONTINUED PROTECTION AGAINST RISK OF FIRE.
 REPLACE WITH SAME TYPE AND RATINGS ONLY.

2.3 VIDEO ASSY

