

Service Manual

Refrigerator

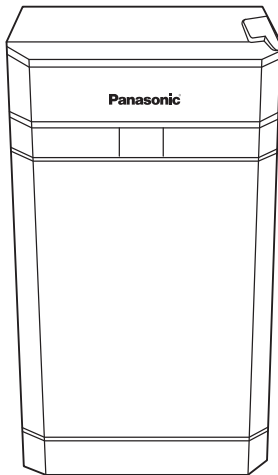
NR-AH144S

NR-AH184S

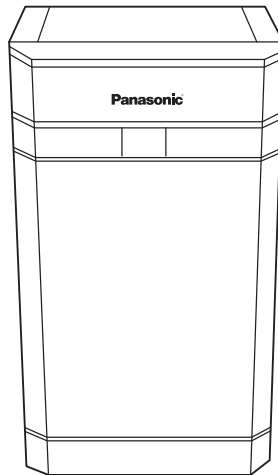
NR-AH184M

NR-AH184G

NR-AH184P



M - S SERIES



G - P SERIES

Product Colour

Imperial Blue (SA), Vivid Green (SG)

Henry Gray (SH), Magenta Pink (MP)

Vivid Orange (MD), Silver (MS)

Metallic Dark Gray (GH)

Warm Copper (PN)

Destination

Thailand




100% CFC FREE

CFCs have been used in refrigerant as refrigerator and the insulation materials for many years. But it is now known that these compounds which once seemed so ideal for use as cleaning agents and in refrigeration systems, destroy the earth's ozone layer as a result, an international body decided on a total worldwide ban of harmful CFCs by the end of 1995.

WARNING

The service information is designed for experienced repair technicians only and is not designed for use by the general public. It does not contain warnings or cautions to advise non-technical individuals of potential dangers in attempting to service a product. Products powered by electricity should be serviced or repaired only by experienced professional technicians. Any attempt to service or repair the product or products dealt within this service information by anyone else could result in serious injury or death.

IMPORTANT SAFETY NOTICE

There are special components used in this equipment which are important for safety. These parts are marked by  in the Schematic Diagrams, Circuit Board Diagrams, Exploded Views and Replacement Parts List. It is essential that these critical parts should be replaced with manufacturer's specified parts to prevent shock, fire or other hazards. Do not modify the original design without permission of manufacturer.

Panasonic[®]

© Panasonic Appliances (Thailand) Co., Ltd. 2012.
All rights reserved. Unauthorized copying and
distribution is a violation of law.







CONTENT

	Page
1. Safety Cautions for Repairing	3
1.1 Warning	
1.2 Caution	
2. Specification and Components	4
3. Schematic Diagram	
3.1 Wiring Diagram : NR-AH144	5
3.2 Wiring Diagram : NR-AH184	5
3.3 Wiring Connection : NR-AH144	6
3.4 Wiring Connection : NR-AH184	6
4. Performance Data	7
4.1 NR-AH144	
4.2 NR-AH184	
5. Disassembly Instruction	8
5.1 Cover Hinge Top : NR-AH144M/S / NR-AH184M/S	
5.2 Top Table : NR-AH184G / NR-AH184P	
5.3 Hinge Top	
6. Parts Exploded View and Replacement Parts List	
6.1 Part Exploded View : Body	9
6.2 Part Exploded View : Door	10
6.3 Part Exploded View : Packing	11
6.4 Replacement Parts List : NR-AH144M / NR-AH144S	12 - 13
6.5 Replacement Parts List : NR-AH184G / NR-AH184P	14 - 15







1. SAFETY CAUTIONS FOR REPAIRING

When you repair the refrigerator, please kindly take care for the following cautions.

1.1 Warning

	<p>Before repairing unit, unplug supply cord</p> <ul style="list-style-type: none"> • Before you repair the refrigerator, please unplug the supply cord.
	<p>Use authentic parts when repairing</p> <ul style="list-style-type: none"> • When you replace the parts, please use authentic parts to replace defective parts.
	<p>Caution during brazing</p> <ul style="list-style-type: none"> • When you use touch for brazing, please ensure ventilation. Otherwise, you will be poisoned by carbon monoxide.
	<p>Pay attention to using refrigerant</p> <ul style="list-style-type: none"> • If refrigerant touches fire, the gas becomes poisonous gas.
	<p>Pay attention to getting electricity shock</p> <ul style="list-style-type: none"> • When you check the voltage of terminal, please do not touch the electricity part terminal. • When you replace the parts, please wait for 3 minutes at least for discharging capacitor.
	<p>Check safety after repairing</p> <ul style="list-style-type: none"> • Check the screws, parts, lead wires to take in place. • Check the repairing portion whether circumferential parts are damaged or not. • Check insulation resistance between supply plug and earth. • When install refrigerator, check condition of supply cord and plug. • Wipe off the dust on plug. • Cutting and seal the electric device carefully.

1.2 Caution

	<p>Watch the hot parts</p> <ul style="list-style-type: none"> • During operation and after operation, compressor and pipes are hot. • Also, under these condition, heater are hot. • Do not burn your fingers when you touch it.
	<p>Pay attention to refrigerant</p> <ul style="list-style-type: none"> • Do not touch liquid refrigerant. Otherwise your hands may be burnt.
	<p>Pay attention to edge of parts</p> <ul style="list-style-type: none"> • Otherwise, your fingers may be cut.
	<p>Pay attention to fins of evaporator and condenser</p> <ul style="list-style-type: none"> • Otherwise, your fingers may be cut.
	<p>Before transportatin, adjust the bolt</p> <ul style="list-style-type: none"> • Otherwise, the floor may be damaged.
	<p>Do not touch the pipe after brazing</p> <ul style="list-style-type: none"> • Otherwise, your hands may be burnt.

2. SPECIFICATION AND COMPONENTS

Model	AH144S			AH184S			AH184M			AH184G	AH184P
Code Attached Model	SA	SG	SH	SA	SG	SH	MD	MP	MS	GH	PN
Colour Name	Imperial Blue	Vivid Green	Henry Gray	Imperial Blue	Vivid Green	Henry Gray	Vivid Orange	Magenta Pink	Silver	Metallic Dark Gray	Warm Copper
Destination	Thailand										
Material Spec.	PCM										
Plug	C2P										
Power Source	220V, 50Hz										

Specification

Capacity	Total Volume	138L	179L
	Freezer FC	31L	31L
	Fresh food PC	107L	148L
Internal Dimension	W x D x H (mm)	W x D x H (mm)	
	EVAP.	412 x 308 x 220	412 x 308 x 220
	PC	474 x 377 x 756	474 x 377 x 952
External Dimension	572 x 570 x 1007	572 x 570 x 1203	572 x 570 x 1220
Net Weight	27 Kgs.	34 Kgs.	
Installation Space	Side : 50 mm., min. / Back : 100 mm., min. / Top : 300 mm., min.		
Energy Level	Level 5		
Temperature Control	Full automatic temp. Control equipment (Thermostat)		
Defrosting	Semi automatic (Forcibly evaporated in the air)		
Exterior Finish (Cabinet)	SPCC-SD		
Inner Liner	Vacuum formed ABS resin		
Insulation	Cyclopentane foam (shell and door)		

Sealed Unit

Compressor	SF51E60GLW5-T1YS	SF51E70RLW5-T1YS
Overload Protector	5TM142NHBYY	5TM134LFBYY
PTC Relay	PTH7M330MC1	PTH7M330MD2
Evaporator	Roll - Bond type	
Condenser	Single wall steel tube (Zinc coat)	
Refrigerant Charge	R600a, 35 ± 5g.	
Lubricating Oil	195 ml. (Freol ∞ 10)	

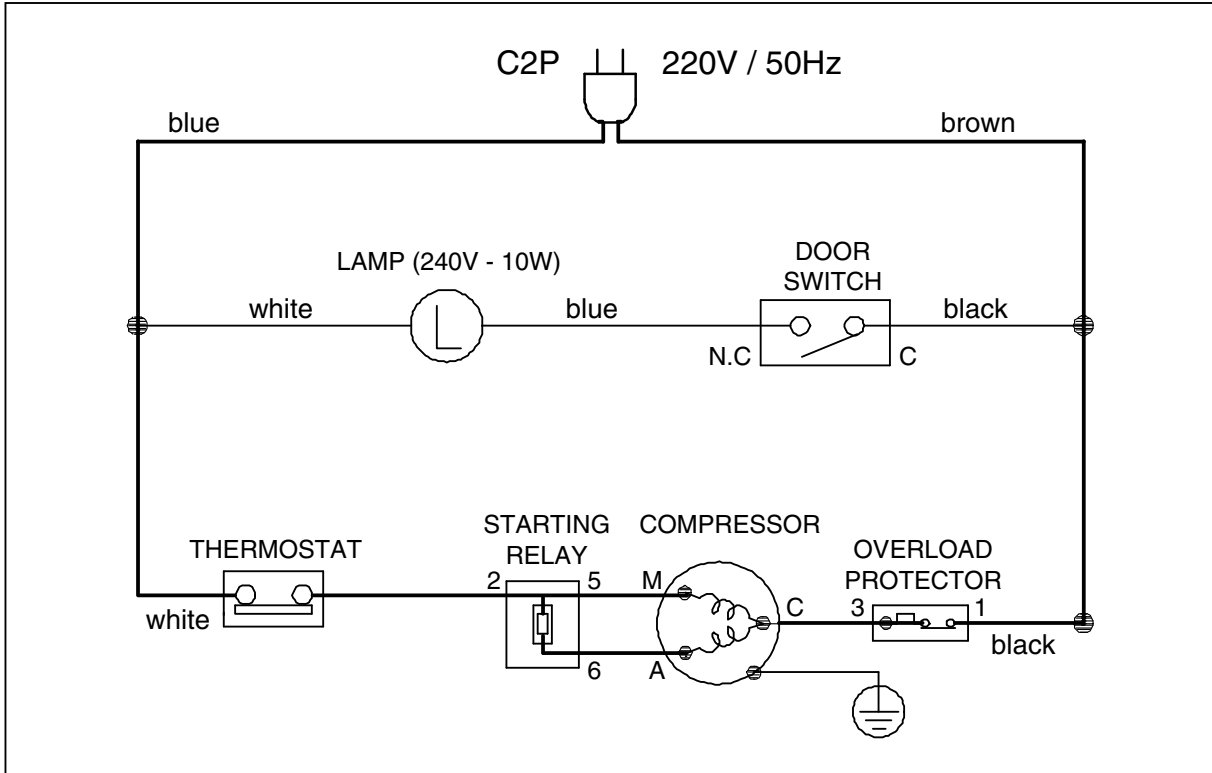
Electric Parts

Door Switch PC	D3D - 121 (Omron), 250V / 0.5A, Switch type S.P. - S.T.
Motor Compressor	Split-phase induction motor, ES-BR21, 220V / 50Hz / 75W 2 poles
Lamp Receptacle	5PS - 51T - 187, 250V / 1A
Lamp	RM240V10WSL, 240V / 10W
Ambient Temp.	32 ± 1°C

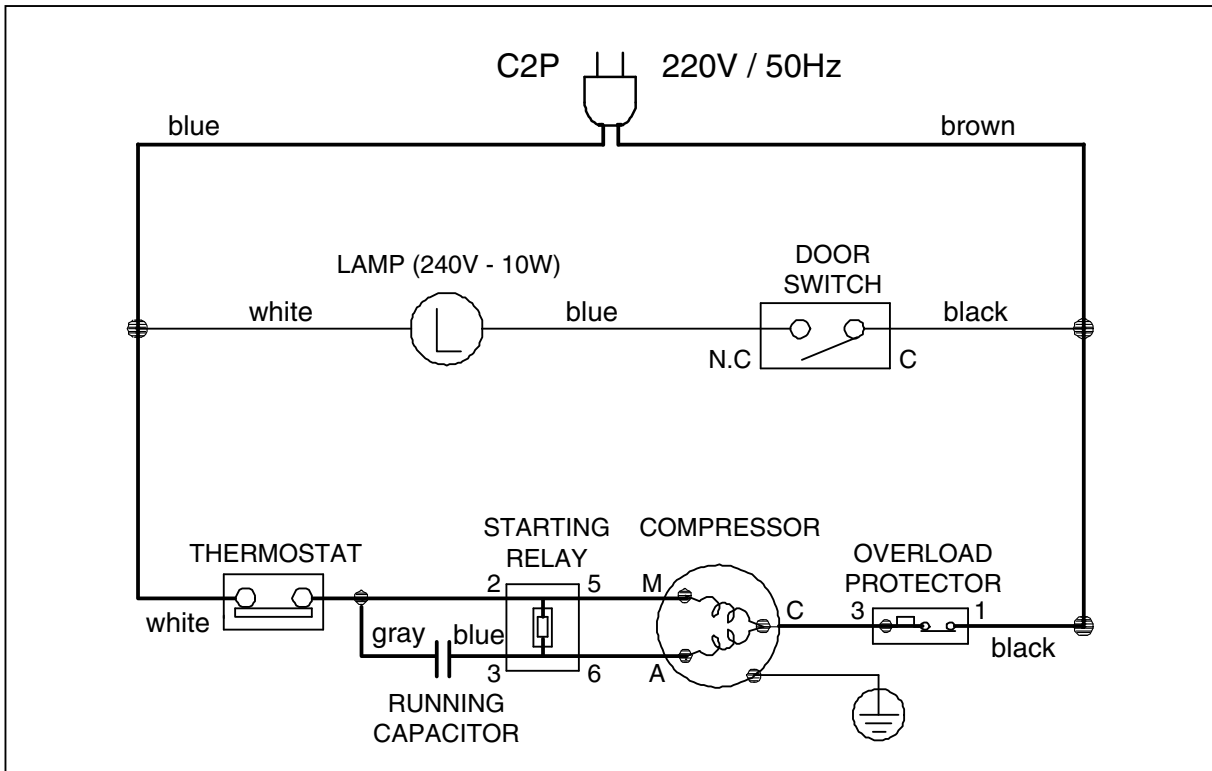
* Specification subjects to change without notice.

3. SCHEMATIC DIAGRAM

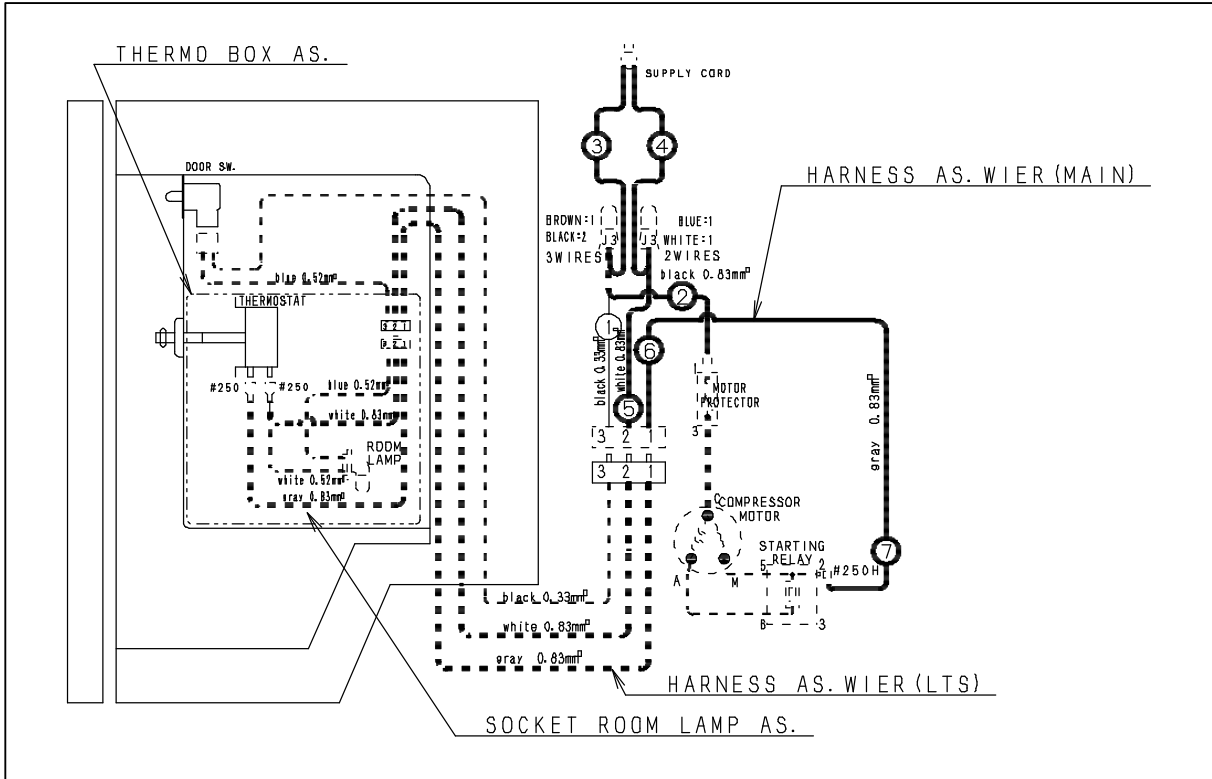
3.1 Wiring Diagram : NR-AH144 (No Capacitor)



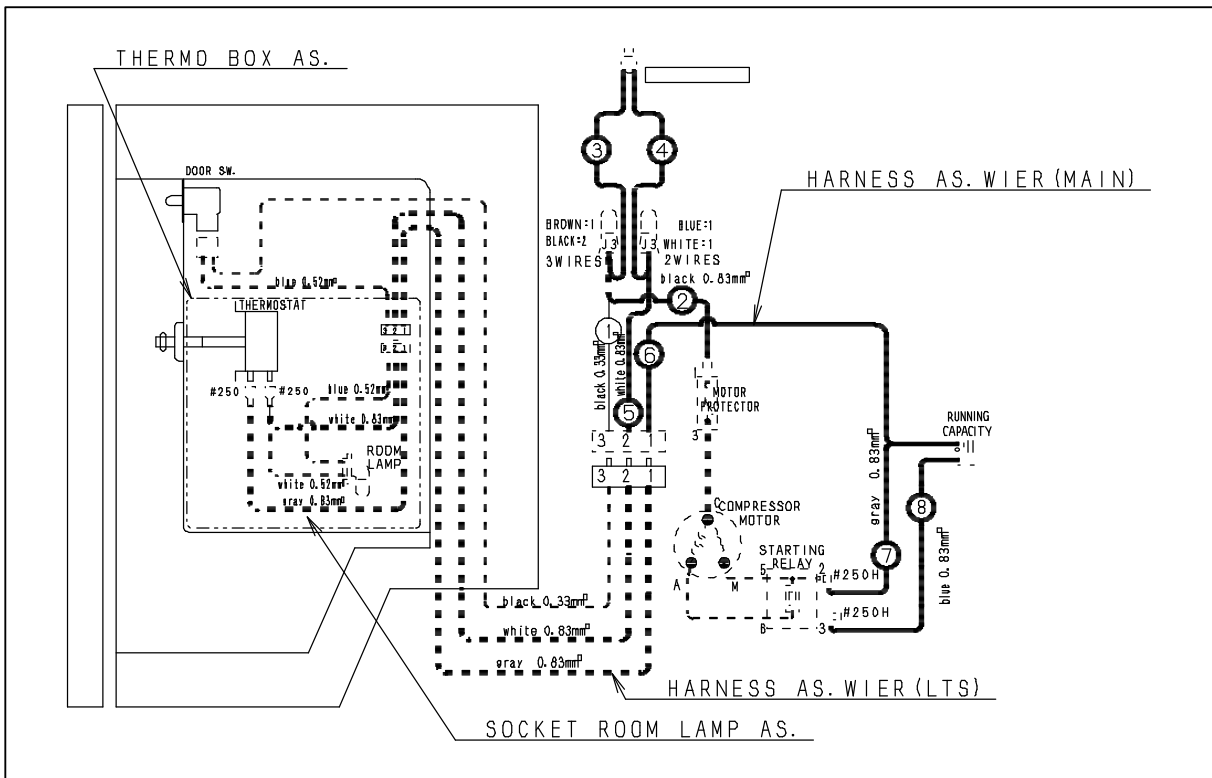
3.2 Wiring Diagram : NR-AH184 (Have Capacitor)



3.3 Wiring Connection : NR-AH144 (No Capacitor)



3.4 Wiring Connection : NR-AH184 (Have Capacitor)



4. PERFORMANCE DATA

4.1 NR-AH144 (AT 32 ± 1°C)

Thermostat Dial Setting		“ 5 ”	“ 3 ”	“ 1 ”
Freezer Temperature (°C)		-12.5 ± 2.5	-6.5 ± 2.5	-0.5 ± 2.5
Fresh Food Compartment Temperature (°C)		-6.0 ± 2.5	-1.0 ± 2.5	4.0 ± 2.5
Running Ratio (%)		55 ± 15	35 ± 15	20 ± 15
Power Consumption (kWh/Day)		0.9 or under		

4.2 NR-AH184 (AT 32 ± 1°C)

Thermostat Dial Setting		“ 5 ”	“ 3 ”	“ 1 ”
Freezer Temperature (°C)		-14.0 ± 2.5	-6.5 ± 2.5	-0.5 ± 2.5
Fresh Food Compartment Temperature (°C)		-5.0 ± 2.5	1.0 ± 2.5	6.5 ± 2.5
Running Ratio (%)		60 ± 15	40 ± 15	25 ± 15
Power Consumption (kWh/Day)		0.9 or under		

5. DISASSEMBLY INSTRUCTION

5.1 Cover Hinge Top : NR-AH144S / NR-AH184S / NR-AH184M



Fig. 1

- Take out by use screwdriver put at small gap between the cover hinge top with body at arrow mark and lift it up little.
- Then use hand pull it up slowly.

5.2 Top Table : NR-AH184G / NR-AH184P



Fig. 2



Fig. 3

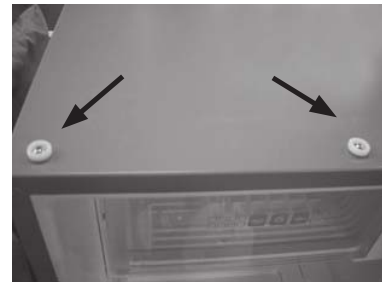


Fig. 4

- Take out the top panel by remove screws at hanger shells. (Fig. 2)
- Open the door.
- Lift the top panel by pull back a little for unlock from hook. (Fig. 3)
- Lift up the top panel and push it forward for unlock from grill button. (Fig. 4)

5.3 Hinge Top

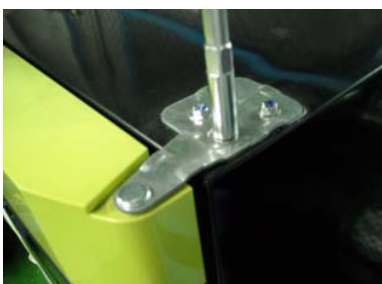


Fig. 5 (NR-AH144S/184S/184M)



Fig. 6 (NR-AH184G/184P)

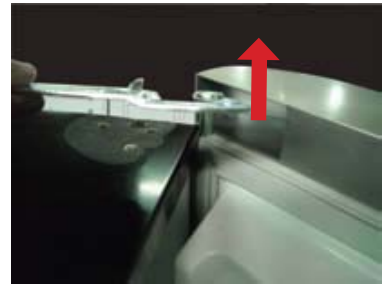
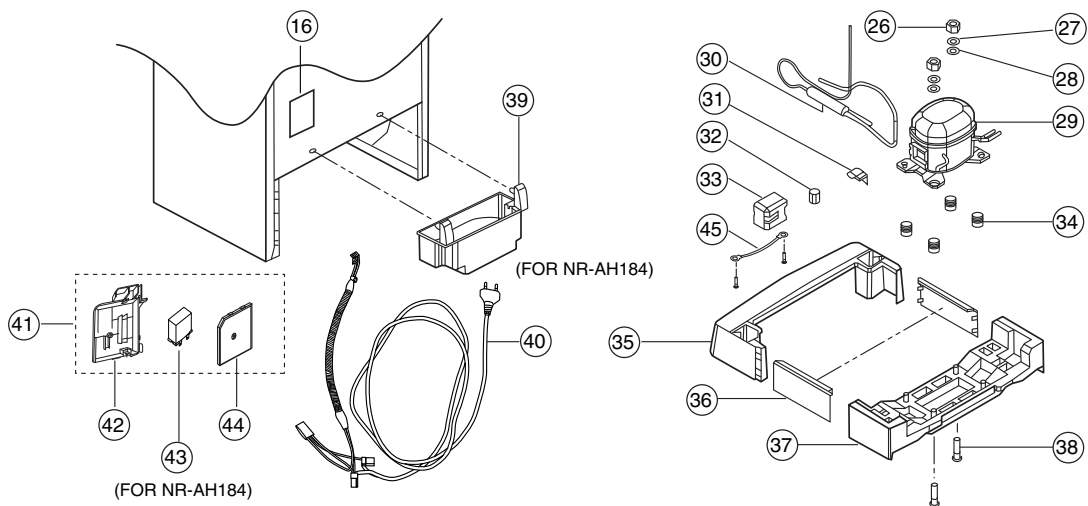
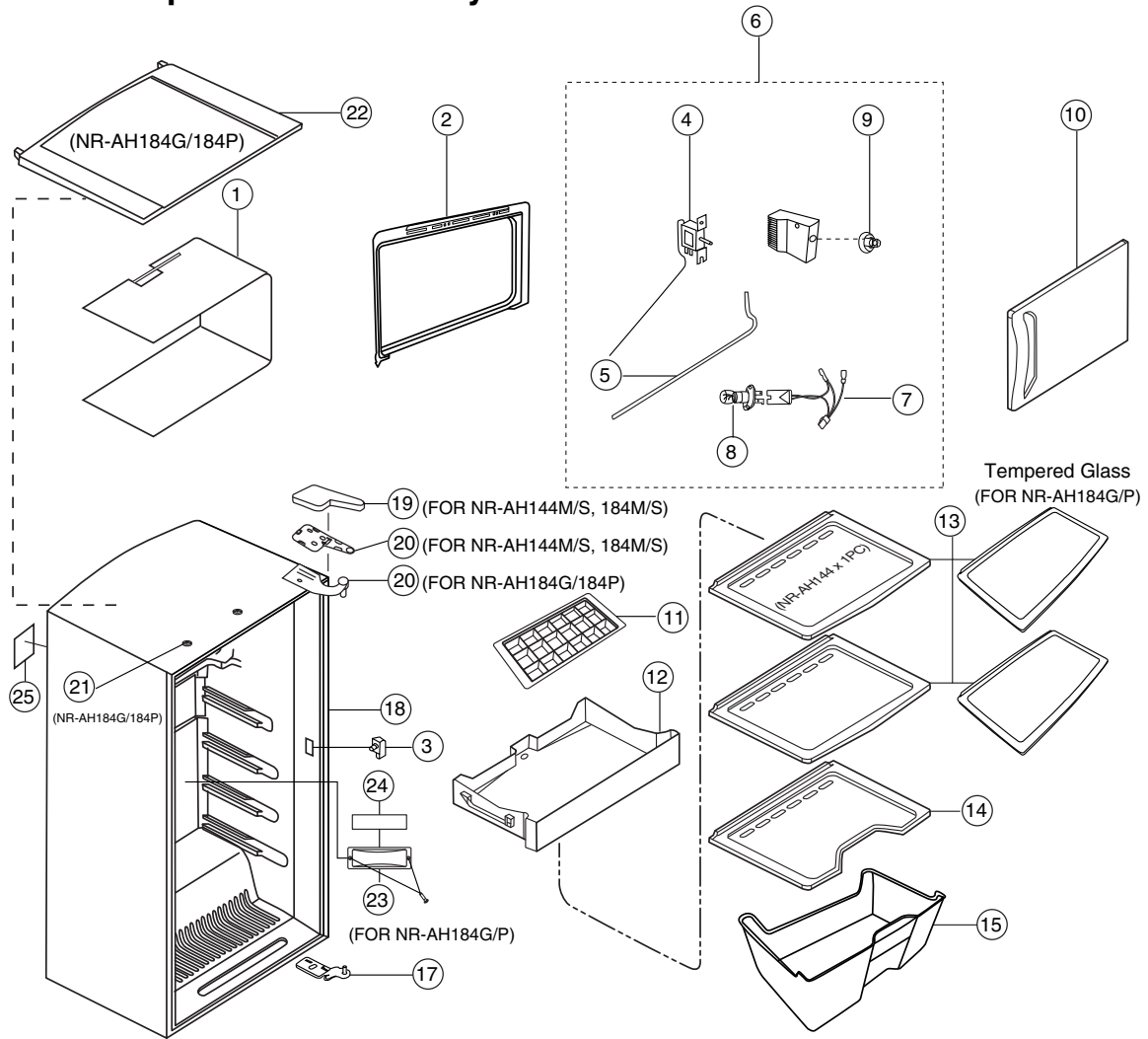


Fig. 7 (NR-AH184G/184P)

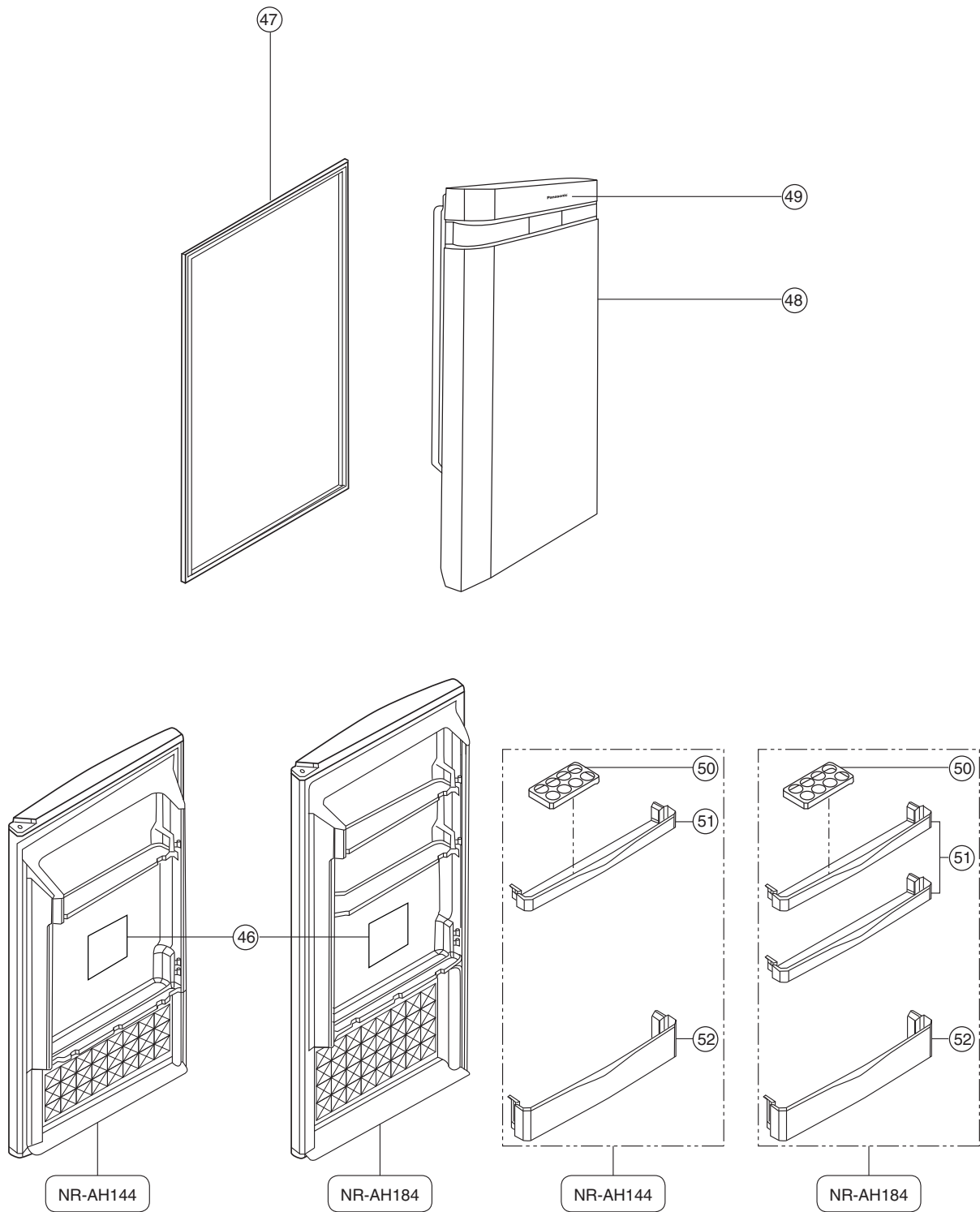
- Take out by use boltdriver remove the screws as Fig. 5 and Fig. 6.
- After that lift it up / as Fig. 7 have to lift it until hook loose from hole at Door As.
- When repair it finish / have to tighten screws by control torque 40 ~ 100 kgf.

6. PARTS EXPLODED VIEW AND REPLACEMENT PARTS LIST

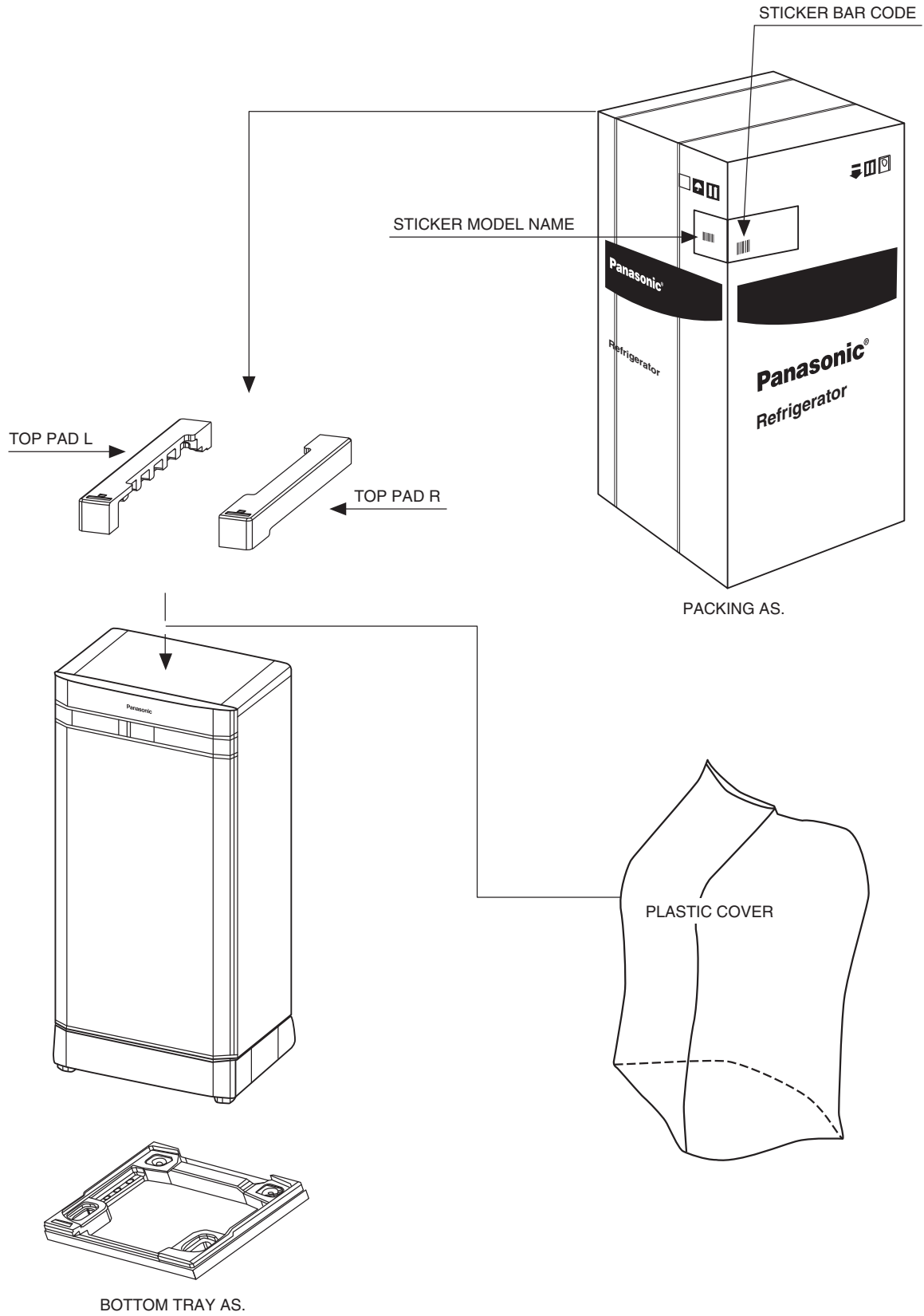
6.1 Parts Exploded View : Body



6.2 Parts Exploded View : Door



6.3 Parts Exploded View : Packing



Important safety notice :

Components identified by mark have special characteristics important for safety.
When replacing any of these components, use only manufacturer's specified part.

6.4 Replacement Part List : NR-AH144**Parts List**

REF. NO.	PART NAME	PART NO.	SAFETY	MODEL / Q'TY			REMARK
				144SH	144SA	144SG	
1	LOW SIDE AS.	CNRBF-153662		1	1	1	
2	TRIM EVAP.	CNRAF-179911		1	1	1	COLOR : WHITE
3	DOOR SW.	CNRAG-153290		1	1	1	
4	THERMOSTAT	CNRAG-171220	S	1	1	1	
5	3.5 TUBE (PVC HT) 450	CNRAJ-162670		1	1	1	
6	THERMO BOX CONTROL AS.	CNRBH-146020		1	1	1	
7	SOCKET ROOM LAMP AS.	CNRBG-187600		1	1	1	
8	10-240 LAMP	CNRAG-145270		1	1	1	LAMP SOCKET TYPE
9	DIAL THERMO AS.	CNRBH-140180		1	1	1	
10	DOOR EVAPORATOR	CNRAF-179921		1	1	1	
11	TRAY ICE	CNRAH-140750		1	1	1	
12	MEAT TRAY	CNRAH-272871		1	1	1	NO HOLE
13	TRAY PC	CNRAH-272040		1	1	1	PLASTIC
14	TRAY PC BOTTOM	CNRAH-270950		1	1	1	PLASTIC
15	CRISPER	CNRAH-270961		1	1	1	
16	LABEL HC BACK - THAI	CNRAH-269301	S	1	1	1	
17	HINGE BOTTOM	CNRAE-136091	S	1	1	1	
18	SHELL & LINER AS. (FOAM)	CNRBC-358210		1	1	1	COLOR : BLACK
19	COVER HINGE TOP - K	CNRAE-138990		1	1	1	COLOR : BLACK
20	HINGE TOP	CNRAE-140580	S	1	1	1	
25	WIRING DIAGRAM - SH	CNRAH-299680		1			NR-AH144SHTH
	WIRING DIAGRAM - SA	CNRAH-299660			1		NR-AH144SATH
	WIRING DIAGRAM - SG	CNRAH-299670				1	NR-AH144SGTH
26	HEXAGON NUT 8	CNR38-8170A1		2	2	2	
27	SP. WASHER 8	CNR38-4270A0		2	2	2	
28	8 WASHER	CNR38-4170A0		2	2	2	
29	COMPRESSOR	CNR91-105530		1	1	1	SF51E60GLW5-T1YS
30	5 DRYER W	CNR39-340920		1	1	1	
31	OVERLOAD PROTECTOR	CNR06-598520	S	1	1	1	5TM142NHBY
32	PTC RELAY	CNR06-592680	S	1	1	1	PTH7M330MC1
33	PROTECTOR COVER	CNRGD-036540		1	1	1	
34	RUBBER GROMMET	CNR01-219932		4	4	4	
35	PLATFORM F - K	CNRAH-248011		1	1	1	COLOR : BLACK
36	PLATFORM S - K	CNRAH-248700		2	2	2	COLOR : BLACK
37	PLATFORM B - K	CNRAH-248251		1	1	1	COLOR : BLACK
38	HEXAGON 8 BOLT 40	CNR38-9924A0		2	2	2	
40	HARNES AS. WIRE (MAIN)	CNRBG-176962	S	1	1	1	PLUG : C2P
42	BOX CAPACITOR	CNRAG-158932		1	1	1	
44	COVER BOX CAPACITOR	CNRAG-169960		1	1	1	
45	EARTH AS. COMP. 270	CNRBG-163470		1	1	1	
46	LABEL NAME - SH	CNRAH-299650		1			NR-AH144SHTH
	LABEL NAME - SA	CNRAH-299630			1		NR-AH144SATH
	LABEL NAME - SG	CNRAH-299640				1	NR-AH144SGTH
47	GASKET DOOR	CNRAD-300742		1	1	1	
48	DOOR AS. (FOAM) - SH	CNRBD-358902		1			COLOR : HENRY GRAY
	DOOR AS. (FOAM) - SA	CNRBD-376250			1		COLOR : IMPERIAL BLUE
	DOOR AS. (FOAM) - SG	CNRBD-376260				1	COLOR : VIVID GREEN
49	EMBLEM	CNRAD-339801		1	1	1	
50	TRAY EGG 8	CNRAD-350530		1	1	1	

Parts List

REF. NO.	PART NAME	PART NO.	SAFETY	MODEL / Q'TY			REMARK
				144SH	144SA	144SG	
51	SHELF EGG	CNRAD-338090		1	1	1	
52	SHELF BOTTLE	CNRAD-338100		1	1	1	

Screws

REF. NO.	PART NAME	PART NO.	SAFETY	MODEL / Q'TY			REMARK
				144SH	144SA	144SG	
	TRUSS 4 TS 12 (SUS)	CNR38-114351		1	1	1	FIX THERMO BOX CONTROL
		CNR38-114351		4	4	4	FIX TRIM EVA.
	HEXAGON H. 5TS 16	CNRAJ-161490		3	3	3	FIX HINGE TOP
		CNRAJ-161490		6	6	6	FIX PLATFORM
		CNRAJ-161490		2	2	2	FIX HINGE BOTTOM

Packing List

REF. NO.	PART NAME	PART NO.	SAFETY	MODEL / Q'TY			REMARK
				144SH	144SA	144SG	
	PACKING AS. - SH	CNRBK-130010		1			NR-AH144SHTH
	PACKING AS. - SA	CNRBK-130020			1		NR-AH144SATH
	PACKING AS. - SG	CNRBK-130030				1	NR-AH144SGTH
	BOTTOM TRAY AS.	CNRBK-124762		1	1	1	
	PLASTIC COVER	CNRAJ-162961		1	1	1	
	TOP PAD L	CNRAK-139181		1	1	1	
	TOP PAD R	CNRAK-139191		1	1	1	
	INSTRUCTION BOOK	CNRAK-160770		1	1	1	THAI LANGUAGE

6.5 Replacement Part List : NR-AH184S, NR-AH184M, NR-AH184G, NR-AH184P

Parts List

REF. NO.	PART NAME	PART NO.	SAFETY	MODEL / Q'TY								REMARK
				184GH	184PN	184MS	184MP	184MD	184SA	184SG	184SH	
1	LOW SIDE AS.	CNRBF-153502		1	1	1	1	1	1	1	1	
2	TRIM EVAP.	CNRAF-179911		1	1	1	1	1	1	1	1	
3	DOOR SW.	CNRAG-153290		1	1	1	1	1	1	1	1	
4	THERMOSTAT	CNRAG-171220	S	1	1	1	1	1	1	1	1	
5	3.5 TUBE (PVC HT) 450	CNRAJ-162670		1	1	1	1	1	1	1	1	
6	THERMO BOX CONTROL AS.	CNRBH-146020		1	1	1	1	1	1	1	1	
7	SOCKET ROOM LAMP AS.	CNRBG-187600		1	1	1	1	1	1	1	1	
8	10-240 LAMP	CNRAG-145270		1	1	1	1	1	1	1	1	LAMP SOCKET TYPE
9	DIAL THERMO AS.	CNRBH-140180		1	1	1	1	1	1	1	1	
10	DOOR EVAPORATOR	CNRAF-179921		1	1	1	1	1	1	1	1	
11	TRAY ICE	CNRAH-140750		1	1	1	1	1	1	1	1	
12	MEAT TRAY	CNRAH-272031		1	1	1	1	1	1	1	1	HAVE HOLE
13	TRAY PC	CNRAH-272040				2	2	2	2	2	2	PLASTIC
	GLASS TRAY AS.	CNRBH-140571		2	2							TEMPERED GLASS
14	TRAY PC BOTTOM	CNRAH-270950		1	1	1	1	1	1	1	1	
15	CRISPER	CNRAH-270961		1	1	1	1	1	1	1	1	
16	LABEL HC BACK - THAI	CNRAH-269301	S	1	1	1	1	1	1	1	1	
17	HINGE BOTTOM	CNRAE-136091	S	1	1	1	1	1	1	1	1	
18	SHELL & LINER AS. (FOAM)	CNRBC-358190		1	1							COLOR : BLACK
		CNRBC-358180				1	1	1	1	1	1	COLOR : BLACK
19	COVER HINGE TOP - K	CNRAE-138990				1	1	1	1	1	1	COLOR : BLACK
20	HINGE TOP	CNRAE-140580	S			1	1	1	1	1	1	
	HINGE TOP AS.	CNRBE-108742	S	1	1							
21	BUTTON GRILL FRONT	CNRAJ-112920		2	2							
22	TOP TABLE - K	CNRAH-291290		1	1							
23	AG CLEAN CASE	CNRAH-272170		1	1							
24	AG BIO FILTER	CNRAH-245521		1	1							
25	WIRING DIAGRAM - GH	CNRAH-299440		1								NR-AH184GHTH
	WIRING DIAGRAM - PN	CNRAH-299430			1							NR-AH184PNTH
	WIRING DIAGRAM - MS	CNRAH-299370				1						NR-AH184MSTH
	WIRING DIAGRAM - MP	CNRAH-299380					1					NR-AH184MPTH
	WIRING DIAGRAM - MD	CNRAH-299390						1				NR-AH184MDTH
	WIRING DIAGRAM - SA	CNRAH-299400							1			NR-AH184SATH
	WIRING DIAGRAM - SG	CNRAH-299410								1		NR-AH184SGTH
	WIRING DIAGRAM - SH	CNRAH-299420									1	NR-AH184SHTH
26	HEXAGON NUT 8	CNR38-8170A1		2	2	2	2	2	2	2	2	
27	SP. WASHER 8	CNR38-4270A0		2	2	2	2	2	2	2	2	
28	8 WASHER	CNR38-4170A0		2	2	2	2	2	2	2	2	
29	COMPRESSOR	CNR91-105540		1	1	1	1	1	1	1	1	SF51E70RLW5-T1YS
30	5 DRYER W	CNR39-340920		1	1	1	1	1	1	1	1	
31	OVERLOAD PROTECTOR	CNR06-598030	S	1	1	1	1	1	1	1	1	5TM134LFBYY
32	PTC RELAY	CNR06-592700	S	1	1	1	1	1	1	1	1	PTH7M330MD2
33	PROTECTOR COVER	CNRGD-036540		1	1	1	1	1	1	1	1	
34	RUBBER GROMMET	CNR01-219932		4	4	4	4	4	4	4	4	
35	PLATFORM F - K	CNRAH-248011		1	1	1	1	1	1	1	1	COLOR : BLACK
36	PLATFORM S - K	CNRAH-248700		2	2	2	2	2	2	2	2	COLOR : BLACK
37	PLATFORM B - K	CNRAH-248251		1	1	1	1	1	1	1	1	COLOR : BLACK
38	HEXAGON 8 BOLT 40	CNR38-9924A0		2	2	2	2	2	2	2	2	
39	PAN WATER EVA. AS.	CNRBF-150351		1	1	1	1	1	1	1	1	
40	HARNESS AS. WIRE (MAIN)	CNRBG-176951	S	1	1	1	1	1	1	1	1	PLUG : C2P
41	BOX CAPACITOR AS.	CNRBG-166090		1	1	1	1	1	1	1	1	
42	BOX CAPACITOR	CNRAG-159932		1	1	1	1	1	1	1	1	
43	MF. CAPACITOR	CNRAG-153360		1	1	1	1	1	1	1	1	

Parts List

REF. NO.	PART NAME	PART NO.	SAFETY	MODEL / Q'TY								REMARK
				184GH	184PN	184MS	184MP	184MD	184SA	184SG	184SH	
44	COVER BOX CAPACITOR	CNRAG-158942		1	1	1	1	1	1	1	1	
45	EARTH AS. COMP. 270	CNRBG-163470		1	1	1	1	1	1	1	1	
46	LABEL NAME - GH	CNRAH-299360	S	1								NR-AH184GHTH
	LABEL NAME - PN	CNRAH-299350	S		1							NR-AH184PNTH
	LABEL NAME - MS	CNRAH-299290	S			1						NR-AH184MSTH
	LABEL NAME - MP	CNRAH-299300	S				1					NR-AH184MPTH
	LABEL NAME - MD	CNRAH-299310	S					1				NR-AH184MDTH
	LABEL NAME - SA	CNRAH-299320	S						1			NR-AH184SATH
	LABEL NAME - SG	CNRAH-299330	S							1		NR-AH184SGTH
	LABEL NAME - SH	CNRAH-299340	S								1	NR-AH184SHTH
47	GASKET DOOR	CNRAD-300713		1	1	1	1	1	1	1	1	
48	DOOR AS. (FOAM) - GH	CNRBD-376240		1								COLOR : METALLIC DARK GRAY
	DOOR AS. (FOAM) - PN	CNRBD-376230			1							COLOR : WARM COPPER
	DOOR AS. (FOAM) - MS	CNRBD-376180				1						COLOR : SILVER
	DOOR AS. (FOAM) - MP	CNRBD-376190					1					COLOR : MAGENTA PINK
	DOOR AS. (FOAM) - MD	CNRBD-376200						1				COLOR : VIVID ORANGE
	DOOR AS. (FOAM) - SA	CNRBD-376210							1			COLOR : IMPERIAL BLUE
	DOOR AS. (FOAM) - SG	CNRBD-376220								1		COLOR : VIVID GREEN
	DOOR AS. (FOAM) - SH	CNRBD-358812									1	COLOR : HENRY GRAY
49	EMBLEM	CNRAD-339801		1	1	1	1	1	1	1	1	
50	TRAY EGG 8	CNRAD-350530		1	1	1	1	1	1	1	1	
51	SHELF EGG	CNRAD-338090		2	2	2	2	2	2	2	2	
52	SHELF BOTTLE	CNRAD-338100		1	1	1	1	1	1	1	1	

Screws

REF. NO.	PART NAME	PART NO.	SAFETY	MODEL / Q'TY								REMARK
				184GH	184PN	184MS	184MP	184MD	184SA	184SG	184SH	
	TRUSS 4 TS 12 (SUS)	CNR38-114351		1	1	1	1	1	1	1	1	FIX THERMO BOX CONTROL
		CNR38-114351		4	4	4	4	4	4	4	4	FIX TRIM EVA.
		CNR38-114351		1	1							
	TRUSS 4 TS 10	CNRAJ-160900		2	2							FIX BUTTON GRILL FRONT
	TRUSS 5 TS 18	CNR38-1156A1		2	2							FIX TOP TABLE
	HEXAGON H. 5TS 16	CNRAJ-161490		3	3	3	3	3	3	3	3	FIX HINGE TOP
		CNRAJ-161490		6	6	6	6	6	6	6	6	FIX PLATFORM
		CNRAJ-161490		2	2	2	2	2	2	2	2	FIX HINGE BOTTOM

Packing List

REF. NO.	PART NAME	PART NO.	SAFETY	MODEL / Q'TY								REMARK
				184GH	184PN	184MS	184MP	184MD	184SA	184SG	184SH	
	PACKING AS.	CNRBK-130000	S	1								NR-AH184GHTH
		CNRBK-129990	S		1							NR-AH184PNTH
		CNRBK-129930	S			1						NR-AH184MSTH
		CNRBK-129940	S				1					NR-AH184MPTH
		CNRBK-129950	S					1				NR-AH184MDTH
		CNRBK-129970	S						1			NR-AH184SATH
		CNRBK-129980	S							1		NR-AH184SGTH
	CNRBK-129960	S								1	NR-AH184SHTH	
	BOTTOM TRAY AS.	CNRBK-124762		1	1	1	1	1	1	1	1	
	PLASTIC COVER	CNRAJ-162961		1	1	1	1	1	1	1	1	
	TOP PAD L	CNRAK-140592		1	1							
		CNRAK-139181				1	1	1	1	1	1	
	TOP PAD R	CNRAK-140602		1	1							
		CNRAK-139191				1	1	1	1	1	1	
	INSTRUCTION BOOK	CNRAK-160770		1	1	1	1	1	1	1	1	THAI LANGUAGE