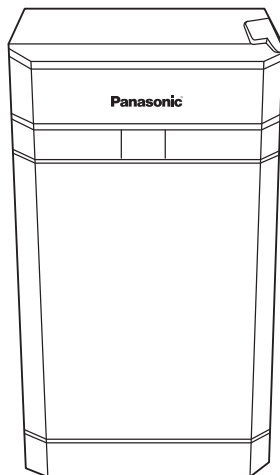
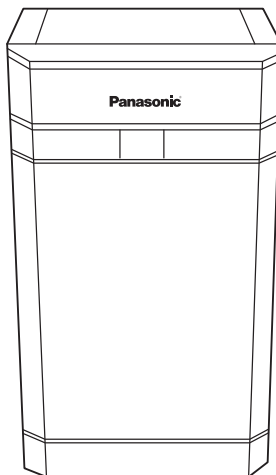


Service Manual

Refrigerator



S SERIES



G - M SERIES

NR-AH143S

NR-AH183G

NR-AH183M

NR-AH183S

Product Colour

Champagne Gold (GN), Lavender (GV)

Cyan (MA), Magenta (MP)

Silver (MS), Sunny Blue (SA)

Green Mint (SG), Henry Gray (SH)

Destination

Thailand



CFCs have been used in refrigerant as refrigerator and the insulation materials for many years. But it is now known that these compounds which once seemed so ideal for use as cleaning agents and in refrigeration systems, destroy the earth's ozone layer as a result, an international body decided on a total worldwide ban of harmful CFCs by the end of 1995.

⚠ WARNING

The service information is designed for experienced repair technicians only and is not designed for use by the general public. It does not contain warnings or cautions to advise non-technical individuals of potential dangers in attempting to service a product. Products powered by electricity should be serviced or repaired only by experienced professional technicians. Any attempt to service or repair the product or products dealt within this service information by anyone else could result in serious injury or death.

IMPORTANT SAFETY NOTICE

There are special components used in this equipment which are important for safety. These parts are marked by ⚠ in the Schematic Diagrams, Circuit Board Diagrams, Exploded Views and Replacement Parts List. It is essential that these critical parts should be replaced with manufacturer's specified parts to prevent shock, fire or other hazards. Do not modify the original design without permission of manufacturer.







CONTENT

	Page
1. Safety Cautions for Repairing	3
1.1 Warning	
1.2 Caution	
2. Specification and Components	4
3. Schematic Diagram	
3.1 Wiring Diagram	5
3.2 Wiring Connection	6
4. Performance Data	7
4.1 NR-AH143	
4.2 NR-AH183	
5. Disassembly Instruction	8
5.1 Cover Hinge Top : NR-AH143S / NR-AH183S	
5.2 Top Table : NR-AH183G / NR-AH183M	
5.3 Hinge Top	
6. Parts Exploded View and Replacement Parts List	
6.1 Part Exploded View : Body	9
6.2 Part Exploded View : Door	10
6.3 Part Exploded View : Packing	11
6.4 Replacement Parts List : NR-AH143S	12 - 13
6.5 Replacement Parts List : NR-AH183G / NR-AH182M / NR-AH183S	14 - 15







1. SAFETY CAUTIONS FOR REPAIRING

When you repair the refrigerator, please kindly take care for the following cautions.

1.1 Warning

	<p>Before repairing unit, unplug supply cord</p> <ul style="list-style-type: none"> • Before you repair the refrigerator, please unplug the supply cord.
	<p>Use authentic parts when repairing</p> <ul style="list-style-type: none"> • When you replace the parts, please use authentic parts to replace defective parts.
	<p>Caution during brazing</p> <ul style="list-style-type: none"> • When you use touch for brazing, please ensure ventilation. Otherwise, you will be poisoned by carbon monoxide.
	<p>Pay attention to using refrigerant</p> <ul style="list-style-type: none"> • If refrigerant touches fire, the gas becomes poisonous gas.
	<p>Pay attention to getting electricity shock</p> <ul style="list-style-type: none"> • When you check the voltage of terminal, please do not touch the electricity part terminal. • When you replace the parts, please wait for 3 minutes at least for discharging capacitor.
	<p>Check safety after repairing</p> <ul style="list-style-type: none"> • Check the screws, parts, lead wires to take in place. • Check the repairing portion whether circumferential parts are damaged or not. • Check insulation resistance between supply plug and earth. • When install refrigerator, check condition of supply cord and plug. • Wipe off the dust on plug. • Cutting and seal the electric device carefully.

1.2 Caution

	<p>Watch the hot parts</p> <ul style="list-style-type: none"> • During operation and after operation, compressor and pipes are hot. • Also, under these condition, heater are hot. • Do not burn your fingers when you touch it.
	<p>Pay attention to refrigerant</p> <ul style="list-style-type: none"> • Do not touch liquid refrigerant. Otherwise your hands may be burnt.
	<p>Pay attention to edge of parts</p> <ul style="list-style-type: none"> • Otherwise, your fingers may be cut.
	<p>Pay attention to fins of evaporator and condenser</p> <ul style="list-style-type: none"> • Otherwise, your fingers may be cut.
	<p>Before transportatin, adjust the bolt</p> <ul style="list-style-type: none"> • Otherwise, the floor may be damaged.
	<p>Do not touch the pipe after brazing</p> <ul style="list-style-type: none"> • Otherwise, your hands may be burnt.

2. SPECIFICATION AND COMPONENTS

Model	NR-AH143S			NR-AH183G		NR-AH183M			NR-AH183S		
Code Attached Model	SA	SH	SG	GN	GV	MA	MP	MS	SA	SH	SG
Colour Name	Sunny Blue	Henry Gray	Green Mint	Champagne Gold	Lavender	Cyan	Magenta	Silver	Sunny Blue	Henry Gray	Green Mint
Destination	Thailand										
Material Spec.	PCM										
Plug	C2P										
Power Source	220V, 50Hz										

Specification

Capacity	Total Volume	138L	179L
	Freezer FC	31L	31L
	Fresh food PC	107L	148L
Internal Dimension	Width x Depth x Height	Width x Depth x Height	
	EVAP.	412 x 308 x 220 (mm.)	412 x 308 x 220 (mm.)
	PC	474 x 377 x 756 (mm.)	474 x 377 x 952 (mm.)
External Dimension	572 x 570 x 1007 (mm.)	572 x 570 x 1220 (mm.)	572 x 570 x 1203 (mm.)
Net Weight	27 Kgs.	34 Kgs.	
Installation Space	Side : 50 mm., min. / Back : 100 mm., min. / Top : 300 mm., min.		
Energy Level	Level 5		
Temperature Control	Full automatic temp. Control equipment (Thermostat)		
Defrosting	Semi automatic (Forcibly evaporated in the air)		
Exterior Finish (Cabinet)	SPCC-SD		
Inner Liner	Vacuum formed ABS resin		
Insulation	Cyclopentane foam (shell and door)		

Sealed Unit

Compressor	SF51E47GAW5	SF51E45GAW5
Evaporator	Roll - Bond type	
Condenser	Single wall steel tube (Zinc coat)	
Refrigerant Charge	R600a, 35 ± 5g.	
Lubricating Oil	195 ml. (Freol ∞ 10)	

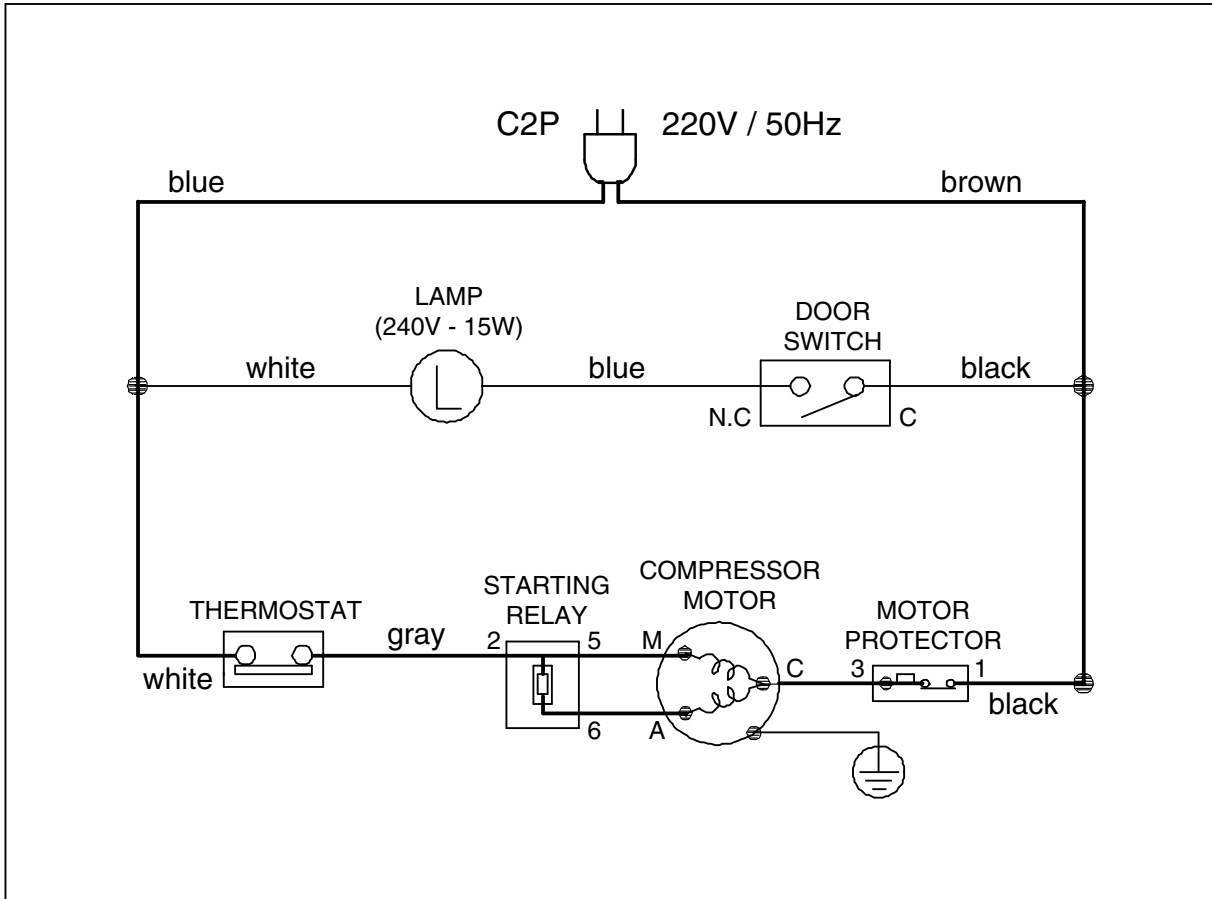
Electric Parts

Door Switch PC	D3D - 121 (Omron), 250V / 0.5A, Switch type S.P. - S.T.
Motor Compressor	Split-phase induction motor, ES-BR21, 220V / 50Hz / 75W 2 poles
Lamp Receptacle	E14 / 22, 250V / 1A
Lamp	E14 / 22, 240V / 15W
Ambient Temp.	32 ± 1°C
PTC Relay	PTH7M330MC1
Motor Protector	5TM117NHBYY

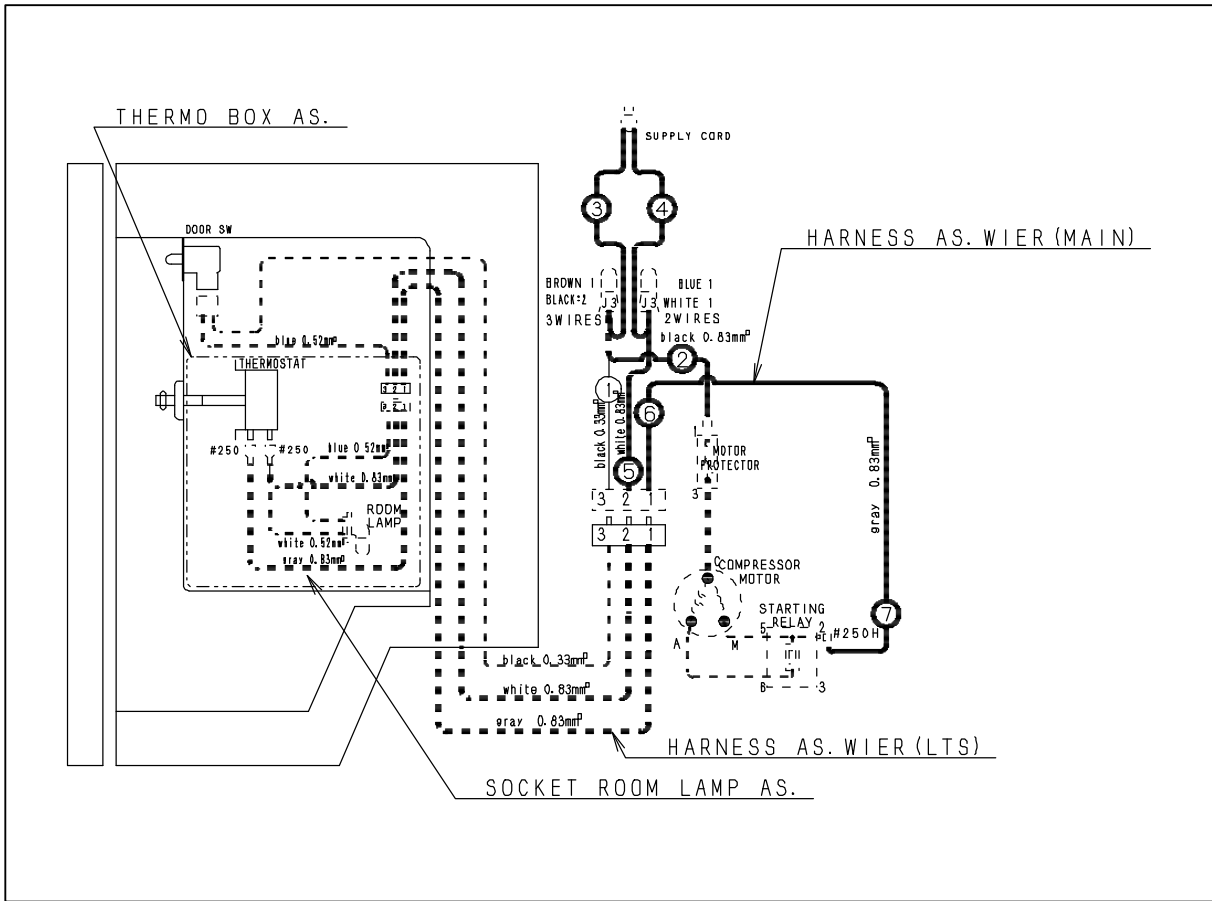
* Specification subjects to change without notice.

3. SCHEMATIC DIAGRAM

3.1 Wiring Diagram



3.2 Wiring Connection



4. PERFORMANCE DATA

4.1 NR-AH143S (AT 32 ± 1°C)

Thermostat Dial Setting		“ 5 ”	“ 3 ”	“ 1 ”
Freezer Temperature	(°C)	-12.5 ± 2.5	-6.5 ± 2.5	-0.5 ± 2.5
Fresh Food Compartment Temperature	(°C)	-6.0 ± 2.5	-1.0 ± 2.5	4.0 ± 2.5
Running Ratio	(%)	55 ± 15	35 ± 15	20 ± 15
Power Consumption	(kWh/Day)	0.9 or under		

4.2 NR-AH183G / NR-AH183M / NR-AH183S (AT 32 ± 1°C)

Thermostat Dial Setting		“ 5 ”	“ 3 ”	“ 1 ”
Freezer Temperature	(°C)	-14.0 ± 2.5	-6.5 ± 2.5	-0.5 ± 2.5
Fresh Food Compartment Temperature	(°C)	-5.0 ± 2.5	1.0 ± 2.5	6.5 ± 2.5
Running Ratio	(%)	60 ± 15	40 ± 15	25 ± 15
Power Consumption	(kWh/Day)	0.9 or under		

5. DISASSEMBLY INSTRUCTION

5.1 Cover Hinge Top : NR-AH143S / NR-AH183S



Fig. 1

- Take out by use screwdriver put at small gap between the cover hinge top with body at arrow mark and lift it up little.
- Then use hand pull it up slowly.

5.2 Top Table : NR-AH183G / NR-AH183M



Fig. 2



Fig. 3

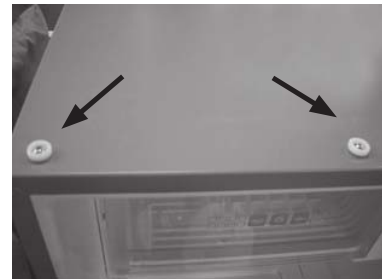


Fig. 4

- Take out the top panel by remove screws at hanger shells. (Fig. 2)
- Open the door.
- Lift the top panel by pull back a little for unlock from hook. (Fig. 3)
- Lift up the top panel and push it forward for unlock from grill button. (Fig. 4)

5.3 Hinge Top



Fig. 5 (NR-AH143S/183S)



Fig. 6 (NR-AH183G/183M)

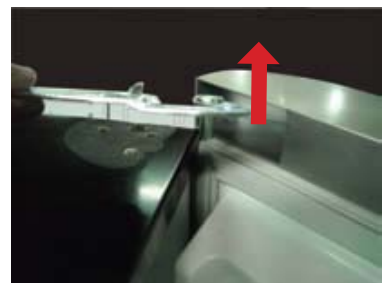
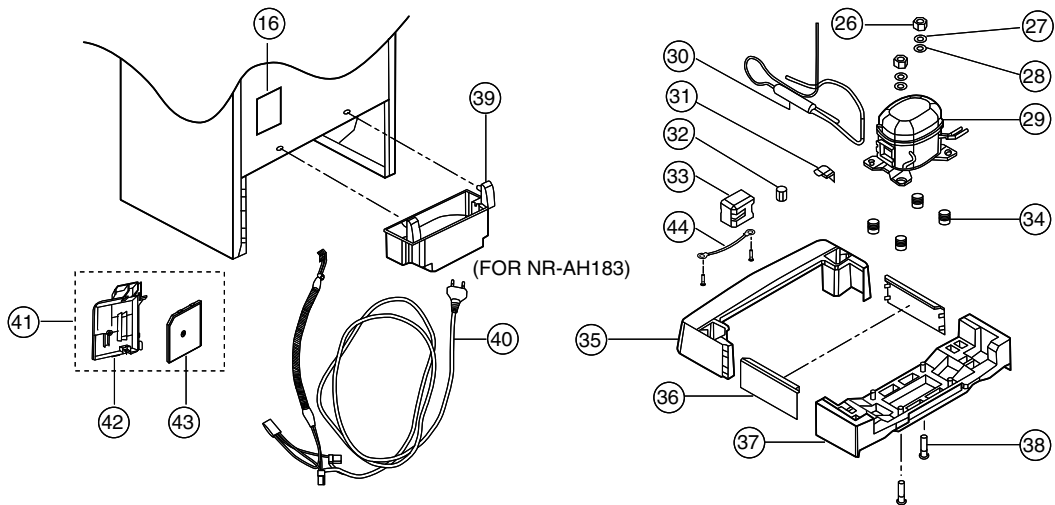
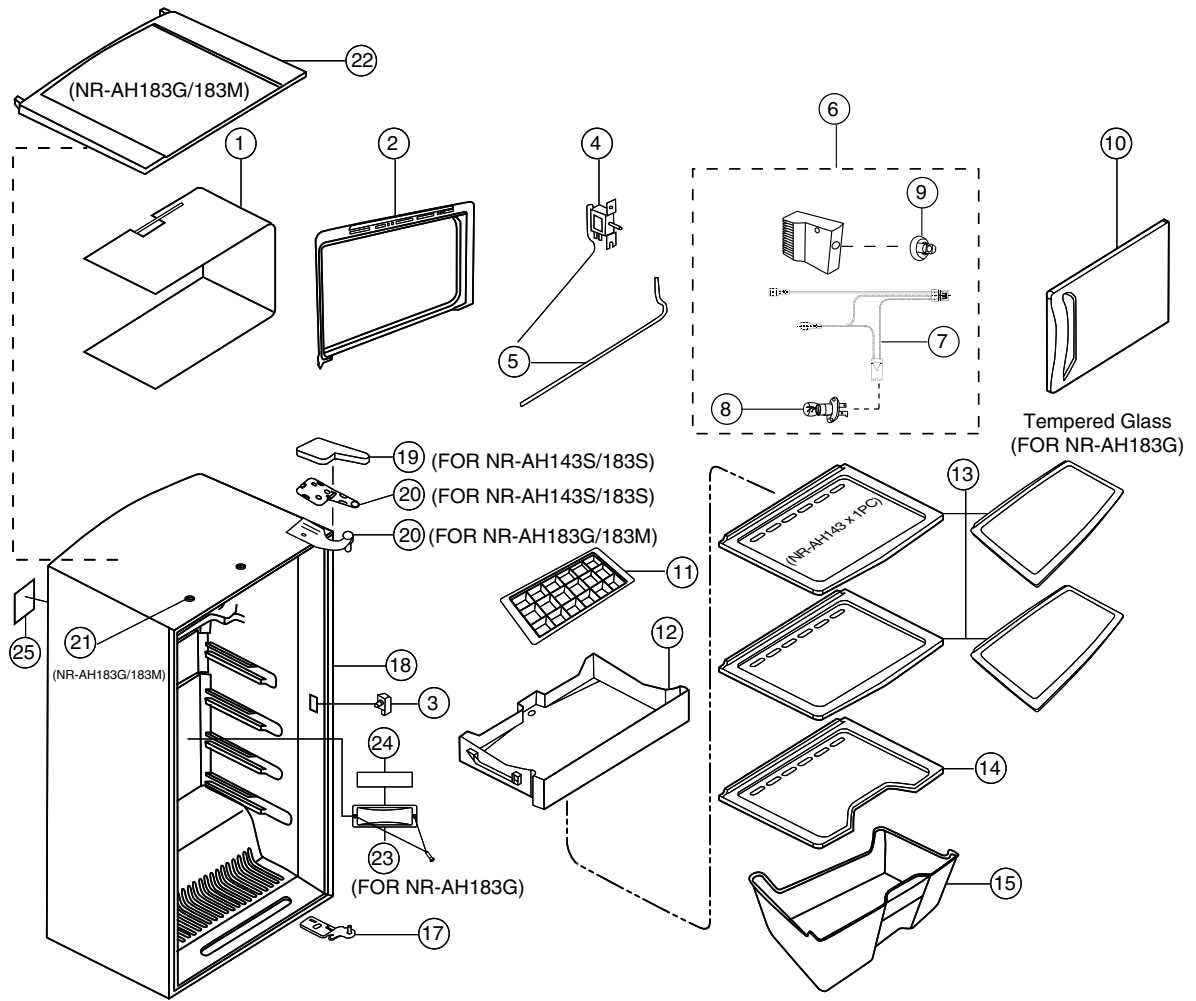


Fig. 7 (NR-AH183G/183M)

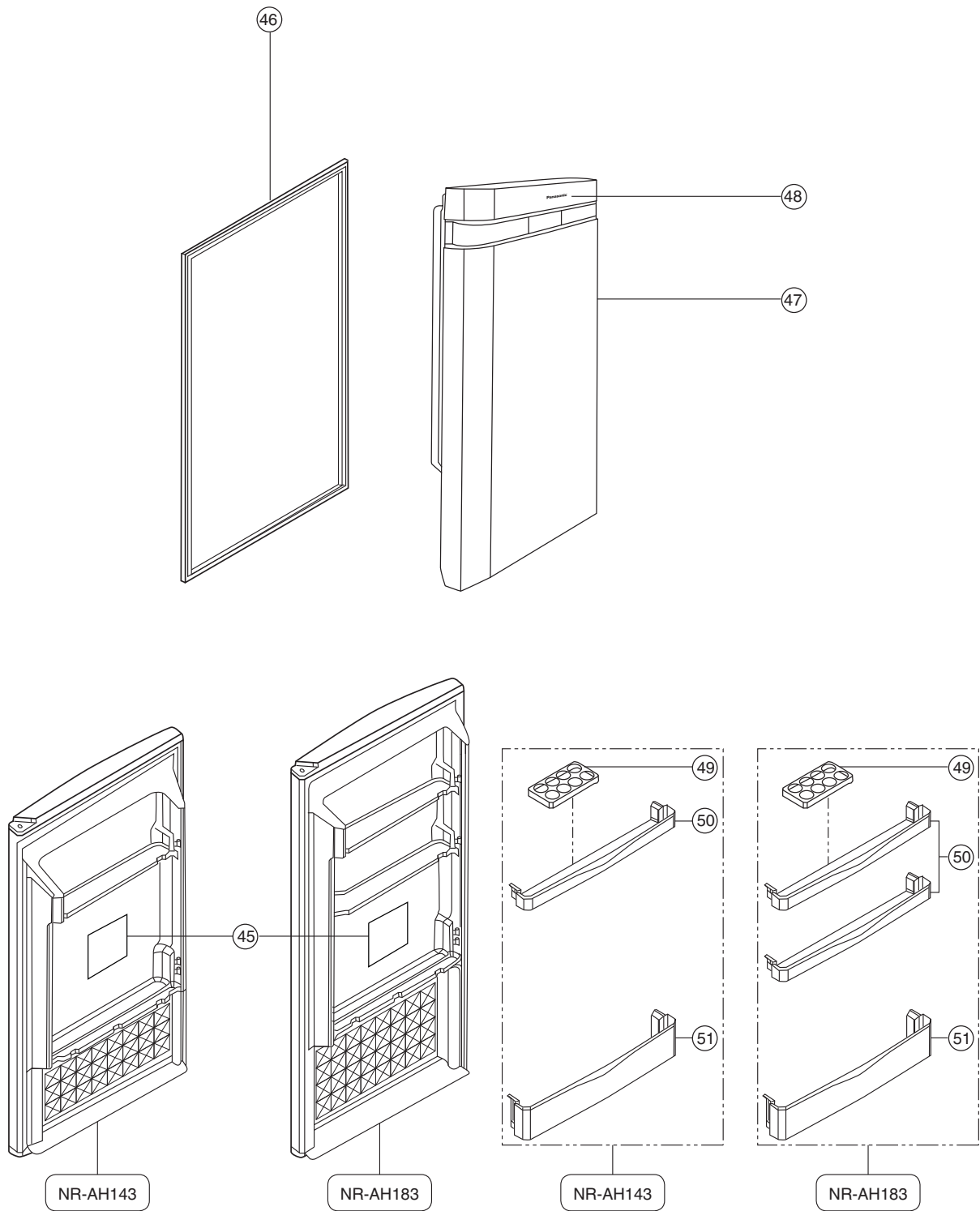
- Take out by use screwdriver remove the screws as Fig. 5 and Fig. 6.
- After that lift it up / as Fig. 7 have to lift it until hook loose from hole at Door As.
- When repair it finish / have to tighten screws by control torque 40 ~ 100 kgf.

6. PARTS EXPLODED VIEW AND REPLACEMENT PARTS LIST

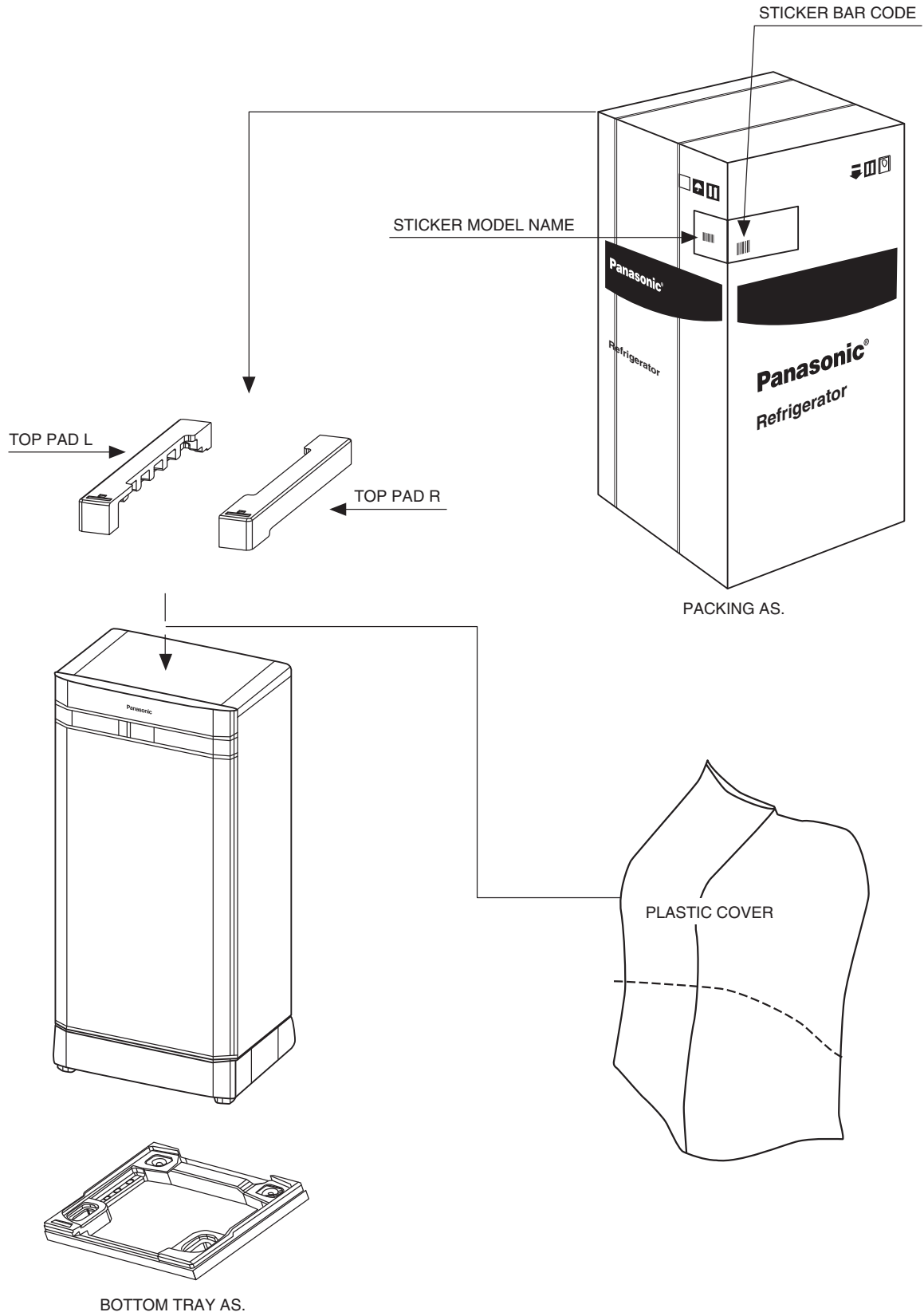
6.1 Parts Exploded View : Body



6.2 Parts Exploded View : Door



6.3 Parts Exploded View : Packing



Important safety notice :

Components identified by mark have special characteristics important for safety.
When replacing any of these components, use only manufacturer's specified part.

6.4 Replacement Part List : NR-AH143S**Parts List**

REF. NO.	PART NAME	PART NO.	SAFETY	MODEL / Q'TY			REMARK
				143SA	143SH	143SG	
1	EVAPORATOR	CNRAF-179933		1	1	1	
2	TRIM EVAP.	CNRAF-179911		1	1	1	COLOR : WHITE
3	DOOR SW.	CNRAG-153290		1	1	1	
4	THERMOSTAT	CNR39-610763	S	1	1	1	MAKER : PRDT
5	3.5 TUBE (PVC HT) 450	CNRAJ-162670		1	1	1	
6	THERMO BOX CONTROL AS.	CNRBH-144140		1	1	1	
7	SOCKET ROOM LAMP AS.	CNRBG-182550		1	1	1	LAMP SOCKET TYPE
8	10-240 LAMP	CNRAG-145270		1	1	1	LAMP SOCKET TYPE
9	DIAL THERMO AS.	CNRBH-140180		1	1	1	
10	DOOR EVAPORATOR	CNRAF-179921		1	1	1	
11	TRAY ICE	CNRAH-140750		1	1	1	
12	MEAT TRAY	CNRAH-272871		1	1	1	NO HOLE
13	TRAY PC	CNRAH-272040		1	1	1	PLASTIC
14	TRAY PC BOTTOM	CNRAH-270950		1	1	1	PLASTIC
15	CRISPER	CNRAH-270961		1	1	1	
16	LABEL HC BACK - THAI	CNRAH-269300	S	1	1	1	
17	HINGE BOTTOM	CNRAE-136091	S	1	1	1	
18	SHELL & LINER AS. (FOAM)	CNRBC-345050		1	1	1	COLOR : BLACK
19	COVER HINGE TOP - K	CNRAE-138990		1	1	1	COLOR : BLACK
20	HINGE TOP	CNRAE-140580	S	1	1	1	
25	WIRING DIAGRAM AS.	CNRBH-143031		1			NR-AH143SATH
		CNRBH-143041			1		NR-AH143SHTH
		CNRBH-143051				1	NR-AH143SGTH
26	HEXAGON NUT 8	CNR38-8170A1		2	2	2	
27	SP. WASHER 8	CNR38-4270A0		2	2	2	
28	8 WASHER	CNR38-4170A0		2	2	2	
29	COMPRESSOR SF51E47GAW5	CNR91-105570		1	1	1	TYPE : R600a
30	5 DRYER W	CNR39-340920		1	1	1	
31	MOTOR PROTECTOR 5TM117NHBY	CNR06-598540	S	1	1	1	
32	PTC RELAY PTH7M330MC1	CNR06-592680	S	1	1	1	
33	PROTECTOR COVER	CNRGD-036540		1	1	1	
34	RUBBER GROMMET	CNR01-219932		4	4	4	
35	PLATFORM F - K	CNRAH-248001		1	1	1	COLOR : BLACK
36	PLATFORM S - K	CNRAH-248700		2	2	2	COLOR : BLACK
37	PLATFORM B - K	CNRAH-248251		1	1	1	COLOR : BLACK
38	HEXAGON 8 BOLT 40	CNR38-9924A0		2	2	2	
40	HARNES AS. WIRE (MAIN)	CNRBG-176960	S	1	1	1	PLUG : C2P
41	BOX CAPACITOR AS.	CNRBG-166090		1	1	1	
42	BOX CAPACITOR	CNRAG-158932		1	1	1	
43	COVER BOX CAPACITOR	CNRAG-158942		1	1	1	
44	EARTH AS. COMP. 270	CNRBG-163470		1	1	1	
45	LABEL NAME AS.	CNRBH-142990	S	1			NR-AH143SATH
		CNRBH-143000	S		1		NR-AH143SHTH
		CNRBH-143010	S			1	NR-AH143SGTH
46	GASKET DOOR	CNRAD-300741		1	1	1	
47	DOOR AS. (FOAM) - SA	CNRBD-358890		1			COLOR : SUNNY BLUE
	DOOR AS. (FOAM) - SH	CNRBD-358900			1		COLOR : HENRY GRAY
	DOOR AS. (FOAM) - SG	CNRBD-358910				1	COLOR : GREEN MINT
48	EMBLEM	CNRAD-339801		1	1	1	
49	TRAY EGG 8	CNRAD-350530		1	1	1	

Parts List

REF. NO.	PART NAME	PART NO.	SAFETY	MODEL / Q'TY			REMARK
				143SA	143SH	143SG	
50	SHELF EGG	CNRAD-338090		1	1	1	
51	SHELF BOTTLE	CNRAD-338100		1	1	1	

Screws

REF. NO.	PART NAME	PART NO.	SAFETY	MODEL / Q'TY			REMARK
				143SA	143SH	143SG	
	TRUSS 4 TS 12 (SUS)	CNR38-114351		1	1	1	FIX THERMO BOX CONTROL
		CNR38-114351		4	4	4	FIX TRIM EVA.
	HEXAGON H. 5TS 12	CNR38-191551		3	3	3	FIX HINGE TOP
		CNR38-191551		6	6	6	FIX PLATFORM
	HEXAGON H. 5TS 16	CNR38-191561		2	2	2	FIX HINGE BOTTOM

Packing List

REF. NO.	PART NAME	PART NO.	SAFETY	MODEL / Q'TY			REMARK
				143SA	143SH	143SG	
	PACKING AS.	CNRBK-124880	S	1			NR-AH143SATH
		CNRBK-124890	S		1		NR-AH143SHTH
		CNRBK-124900	S			1	NR-AH143SGTH
	BOTTOM TRAY AS.	CNRBK-124760		1	1	1	
	PLASTIC COVER	CNRAJ-162050		1	1	1	
	TOP PAD L	CNRAK-139181		1	1	1	
	TOP PAD R	CNRAK-139191		1	1	1	
	INSTRUCTION BOOK	CNRAK-152940		1	1	1	THAI LANGUAGE

6.5 Replacement Part List : NR-AH183S, NR-AH183M, NR-AH183G

Parts List

REF. NO.	PART NAME	PART NO.	SAFETY	MODEL / Q'TY								REMARK
				183SA	183SH	183SG	183MA	183MP	183MS	183GN	183GV	
1	EVAPORATOR	CNRAF-179933		1	1	1	1	1	1	1	1	
2	TRIM EVAP.	CNRAF-179911		1	1	1	1	1	1	1	1	
3	DOOR SW.	CNRAG-153290		1	1	1	1	1	1	1	1	
4	THERMOSTAT	CNR39-610763	S	1	1	1	1	1	1	1	1	MAKER : PRDT
5	3.5 TUBE (PVC HT) 450	CNRAJ-162670		1	1	1	1	1	1	1	1	
6	THERMO BOX CONTROL AS.	CNRBH-144140		1	1	1	1	1	1	1	1	
7	SOCKET ROOM LAMP AS.	CNRBG-182550		1	1	1	1	1	1	1	1	LAMP SOCKET TYPE
8	10-240 LAMP	CNRAG-145270		1	1	1	1	1	1	1	1	LAMP SOCKET TYPE
9	DIAL THERMO AS.	CNRBH-140180		1	1	1	1	1	1	1	1	
10	DOOR EVAPORATOR	CNRAF-179921		1	1	1	1	1	1	1	1	
11	TRAY ICE	CNRAH-140750		1	1	1	1	1	1	1	1	
12	MEAT TRAY	CNRAH-272031		1	1	1	1	1	1	1	1	HAVE HOLE
13	TRAY PC	CNRAH-272040		2	2	2	2	2	2			PLASTIC
	GLASS TRAY AS.	CNRBH-140571								2	2	TEMPERED GLASS
14	TRAY PC BOTTOM	CNRAH-270950		1	1	1	1	1	1	1	1	
15	CRISPER	CNRAH-270961		1	1	1	1	1	1	1	1	
16	LABEL HC BACK - THAI	CNRAH-269300	S	1	1	1	1	1	1	1	1	
17	HINGE BOTTOM	CNRAE-136091	S	1	1	1	1	1	1	1	1	
18	SHELL & LINER AS. (FOAM)	CNRBC-345020		1	1	1						COLOR : BLACK
		CNRBC-344840					1	1	1	1	1	COLOR : BLACK
19	COVER HINGE TOP - K	CNRAE-138990		1	1	1						
20	HINGE TOP	CNRAE-140580	S	1	1	1						
	HINGE TOP AS.	CNRBE-108741	S				1	1	1	1	1	
21	BUTTON GRILL FRONT	CNRAJ-112920					2	2	2	2	2	
22	TOP TABLE - K	CNRAH-289500					1	1	1	1	1	
23	AG CLEAN CASE	CNRAH-272170								1	1	
24	AG BIO FILTER	CNRAH-245521								1	1	COLOR : BLACK
25	WIRING DIAGRAM AS.	CNRBH-142961		1								NR-AH183SATH
		CNRBH-142971			1							NR-AH183SHTH
		CNRBH-142981				1						NR-AH183SGTH
		CNRBH-142921					1					NR-AH183MATH
		CNRBH-142911						1				NR-AH183MPTH
		CNRBH-142901							1			NR-AH183MSTH
		CNRBH-142881								1		NR-AH183GNTH
		CNRBH-142891									1	NR-AH183GVTH
26	HEXAGON NUT 8	CNR38-8170A1		2	2	2	2	2	2	2	2	
27	SP. WASHER 8	CNR38-4270A0		2	2	2	2	2	2	2	2	
28	8 WASHER	CNR38-4170A0		2	2	2	2	2	2	2	2	
29	COMPRESSOR SF51E45GAW5	CNR91-105580		1	1	1	1	1	1	1	1	TYPE : R600a
30	5 DRYER W	CNR39-340920		1	1	1	1	1	1	1	1	
31	MOTOR PROTECTOR STM117NHBY	CNR06-598540	S	1	1	1	1	1	1	1	1	
32	PTC RELAY PTH7M330MC1	CNR06-592680	S	1	1	1	1	1	1	1	1	
33	PROTECTOR COVER	CNRGD-036540		1	1	1	1	1	1	1	1	
34	RUBBER GROMMET	CNR01-219932		4	4	4	4	4	4	4	4	
35	PLATFORM F - K	CNRAH-248001		1	1	1	1	1	1	1	1	COLOR : BLACK
36	PLATFORM S - K	CNRAH-248700		2	2	2	2	2	2	2	2	COLOR : BLACK
37	PLATFORM B - K	CNRAH-248251		1	1	1	1	1	1	1	1	COLOR : BLACK
38	HEXAGON 8 BOLT 40	CNR38-9924A0		2	2	2	2	2	2	2	2	
39	PAN WATER EVA.	CNRBF-150350		1	1	1	1	1	1	1	1	
40	HARNESS AS. WIRE (MAIN)	CNRBG-176960	S	1	1	1	1	1	1	1	1	PLUG : C2P
41	BOX CAPACITOR AS.	CNRBG-166090		1	1	1	1	1	1	1	1	
42	BOX CAPACITOR	CNRAG-159932		1	1	1	1	1	1	1	1	
43	COVER BOX CAPACITOR	CNRAG-158942		1	1	1	1	1	1	1	1	

Parts List

REF. NO.	PART NAME	PART NO.	SAFETY	MODEL / Q'TY								REMARK
				183SA	183SH	183SG	183MA	183MP	183MS	183GN	183GV	
44	EARTH AS. COMP. 270	CNRBG-163470		1	1	1	1	1	1	1	1	
45	LABEL NAME AS.	CNRBH-142930	S	1								NR-AH183SATH
		CNRBH-142940	S		1							NR-AH183SHTH
		CNRBH-142950	S			1						NR-AH183SGTH
		CNRBH-142870	S				1					NR-AH183MATH
		CNRBH-142860	S					1				NR-AH183MPTH
		CNRBH-142850	S						1			NR-AH183MSTH
		CNRBH-142830	S							1		NR-AH183GNTH
		CNRBH-142840	S								1	NR-AH183GVTH
46	GASKET DOOR	CNRAD-300712		1	1	1	1	1	1	1	1	
47	DOOR AS. (FOAM) - SA	CNRBD-358800		1								COLOR : SUNNY BLUE
	DOOR AS. (FOAM) - SH	CNRBD-358810			1							COLOR : HENRY GRAY
	DOOR AS. (FOAM) - SG	CNRBD-358820				1						COLOR : GREEN MINT
	DOOR AS. (FOAM) - MA	CNRBD-358580					1					COLOR : CYAN
	DOOR AS. (FOAM) - MP	CNRBD-358570						1				COLOR : MAGENTA
	DOOR AS. (FOAM) - MS	CNRBD-358560							1			COLOR : SILVER
	DOOR AS. (FOAM) - GN	CNRBD-358540								1		COLOR : CHAMPAGNE GOLD
	DOOR AS. (FOAM) - GV	CNRBD-358550									1	COLOR : LAVENDER
48	EMBLEM	CNRAD-339801		1	1	1	1	1	1	1	1	
49	TRAY EGG 8	CNRAD-350530		1	1	1	1	1	1	1	1	
50	SHELF EGG	CNRAD-338090		2	2	2	2	2	2	2	2	
51	SHELF BOTTLE	CNRAD-338100		1	1	1	1	1	1	1	1	

Screws

REF. NO.	PART NAME	PART NO.	SAFETY	MODEL / Q'TY								REMARK
				183SA	183SH	183SG	183MA	183MP	183MS	183GN	183GV	
	TRUSS 4 TS 12 (SUS)	CNR38-114351		4	4	4	4	4	4	4	4	FIX TRIM EVA.
		CNR38-114351		1	1	1	1	1	1	1	1	FIX THERMO BOX CONTROL
		CNR38-114351								1	1	FIX AG CLEAN CASE
	TRUSS 4 TS 10	CNRAJ-160900					2	2	2	2	2	FIX BUTTON GRILL FRONT
	TRUSS 5 TS 18	CNR38-1156A1					2	2	2	2	2	FIX TOP TABLE
	HEXAGON H. 5TS 12	CNR38-191551		3	3	3	3	3	3	3	3	FIX HINGE TOP
		CNR38-191551		6	6	6	6	6	6	6	6	FIX PLATFORM
	HEXAGON H. 5TS 16	CNR38-191561		2	2	2	2	2	2	2	2	FIX HINGE BOTTOM

Packing List

REF. NO.	PART NAME	PART NO.	SAFETY	MODEL / Q'TY								REMARK
				183SA	183SH	183SG	183MA	183MP	183MS	183GN	183GV	
	PACKING AS.	CNRBK-124810	S	1								NR-AH183SATH
		CNRBK-124820	S		1							NR-AH183SHTH
		CNRBK-124830	S			1						NR-AH183SGTH
		CNRBK-124750	S				1					NR-AH183MATH
		CNRBK-124740	S					1				NR-AH183MPTH
		CNRBK-124730	S						1			NR-AH183MSTH
		CNRBK-124710	S							1		NR-AH183GNTH
		CNRBK-124720	S								1	NR-AH183GVTH
	BOTTOM TRAY AS.	CNRBK-124760		1	1	1	1	1	1	1	1	
	PLASTIC COVER	CNRAJ-162040		1	1	1	1	1	1	1	1	
	TOP PAD L	CNRAK-139181		1	1	1						
		CNRAK-140592					1	1	1	1	1	
	TOP PAD R	CNRAK-139191		1	1	1						
		CNRAK-140602					1	1	1	1	1	
	INSTRUCTION BOOK	CNRAK-152940			1	1	1	1	1	1	1	THAI LANGUAGE

DETAIL CHANGE NOTICE

REVISION	ITEM NO.	PAGE	DETAIL	REMARK
NOV. 2011	1	9	REVISE PICTURES OF THERMO BOX CONTROL AS.	CHANGE LAMP SCREW TYPE TO LAMP SOCKET TYPE
	2	12, 14	REVISE PARTS NO. & NAME AT REF. NO. 4, 6, 7, 8	FOR USE PARTS OF LAMP SOCKET TYPE