

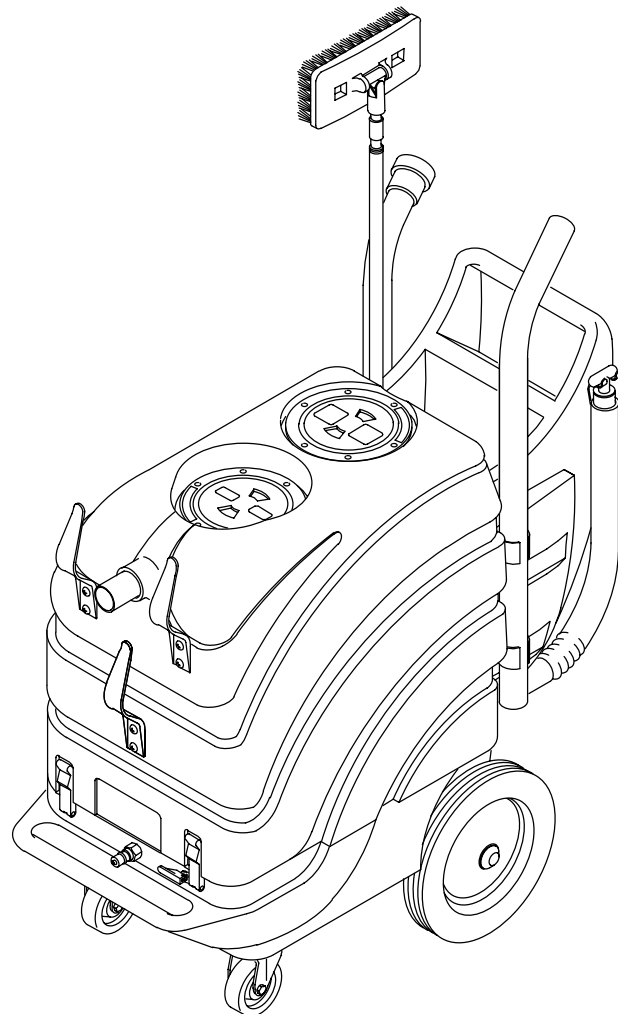


Quick Clean™ 1500

All Surface Cleaner
Limpiador universal de superficies

Model No.:
609640
609799 - Can.

Operator and Parts Manual
Manual del Operador y Piezas

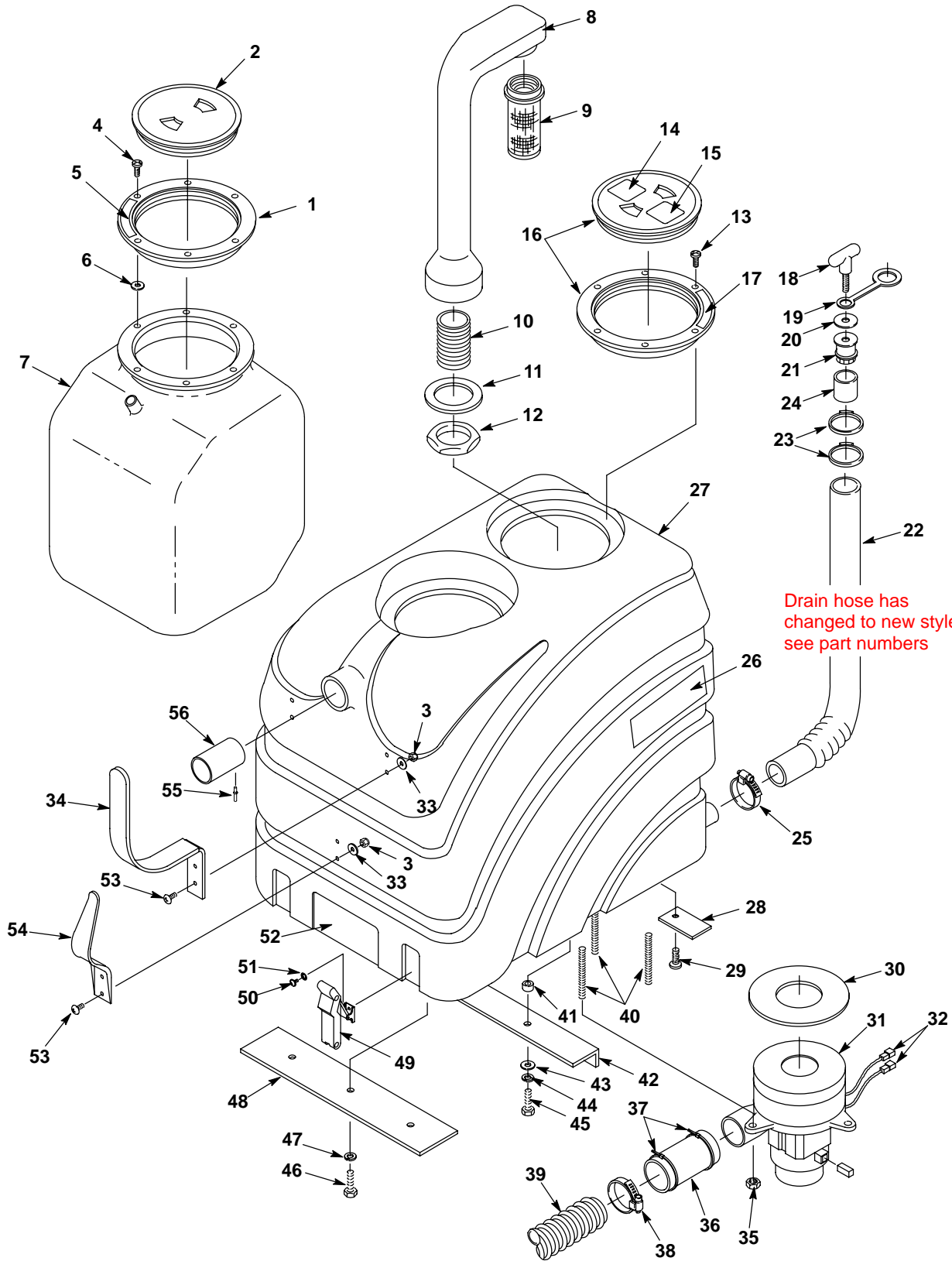


NOBLES
12875 RANSOM STREET
HOLLAND MI 49424 U.S.A.

CUSTOMER SERVICE: 1-800-365-6625
FAX: 1-800-678-4240

609759
Rev. 02 (07-00)

UPPER HOUSING GROUP – GRUPO DEL BASTIDOR SUPERIOR



UPPER HOUSING GROUP – GRUPO DEL BASTIDOR SUPERIOR

REF	PART #	DESCRIPTION	QTY.
▽	100103	CLEAR LID, W/CNTRSUNK HOLES	1
▲1	100109	LID, OUTER RING	1
▲2	100105	●LID, CENTER ONLY CLEAR	1
3	140501	NUT, 1/4–20 NYLOCK	6
4	140900	SCREW, 10–24X3/4	6
5	120907	DECAL, "IMPORTANT..."	1
6	140000	WASHER, 1/4 FLAT	6
7	602783	BLADDER	1
8	602448	STANDPIPE, W/NIPPLE	1
9	180613	●FLOAT, SHUT-OFF	1
10	606088	FITTING, 1–1/2" NIPPLE	1
11	101714	GASKET, WASTE AIR CHAMBER	1
12	210240	NUT, FLANGED METAL 1–1/2	1
13	140825	SCREW, #6X1/2	6
14	609756	DECAL, SAFETY GLASSES REQD	1
15	630420	DECAL, "FLAMMABLE MAT'L" TXTLS	1
16	100102	●LID, CLEAR W/STANDARD HOLE	1
17	120907	DECAL, "IMPORTANT–ALWAYS..."	1
▽▲	501061	●ASM, DRAINHOSE STOPPER	4
▲18	230834	KNOB, DRAIN HOSE	4
▲19	230882	STRAP, DRAIN STOPPER	4
▲20	140056	WASHER, 3/8IDX1.500D-FNDR	4
▲21	140955	PLUG, DRAIN HOSE	4
▽	590965	KIT, DRAIN HOSE COMPLETE	1
▲22	560627	HOSE, DRAIN	4
▲23	140072	CLAMP, 1-9/16 STEPLESS	2
▲24	140921	SLEEVE, DRAIN HOSE	4
25	140307	CLAMP, HOSE 3/4 TO 1–3/4	1
26	609750	DECAL, QUICK CLEAN 1500	2
27	609733	TANK, RECOVERY GREEN	1
28	230845	PLATE, CORD CLAMP	1

REF	PART #	DESCRIPTION	QTY.
29	140834	SCREW, 1/4–20X5/8	1
30	100118	●GASKET, VAC MOTOR 1/4 X 5.7	1
31	130416	●MOTOR, VAC 5.7 3STG (120V)	1
	190161	●BRUSH, CARBON (2–PK)	2
32	130133	TERMINAL, ML DSCNT	2
33	25183.4	WASHER, .18X.68 NEOPRENE	6
34	610279	HOOK, HOSE HANGER	2
35	140501	NUT, 1/4–20 NYLOCK	3
36	610162	●MUFFLER, VAC EXHAUST	1
37	130040	WIRE TIE, NYLON	2
38	140308	CLAMP, HOSE 1–5/16 TO 2–1/4	1
39	160629	HOSE, 2" X 28" WHITE	1
40	610790	SCREW, 1/4–20X4.5 STUD	3
41	140134	BUSHING, .375ODX.250IDX.270	2
42	230846	BRACKET, TANK SUPPORT	1
43	140000	WASHER, 1/4 FLAT	2
44	140016	WASHER, 1/4 LOCK	2
45	140554	SCREW, 1/4–20X3/4	2
46	140259	SCREW, 1/4–20X5/8	3
47	140016	WASHER, 1/4 LOCK	3
48	230946	BRACKET, TANK BRACE FRONT	1
49	140932	●LATCH, HOOD W/ KEEPER	2
50	140801	SCREW, 8–32X3/8	4
51	140023	WASHER, #8 INT	4
52	608186	DECAL, "NOBLES" LOGO	1
53	140840	SCREW, 1/4–20X1	6
54	602750	HOOK, HOSE	1
55	140713	RIVET, POP 3/16 X .251–.375	1
56	230905	TUBE, INLET	1

1007072
HOSE ASSY
1008639
CAP
1008637
O-RING

▽ ASSEMBLY / CONJUNTO

▲ INCLUDED IN ASSEMBLY / INCLUIDO EN EL CONJUNTO

● RECOMMENDED STOCK ITEMS / ARTICULOS RECOMENDADOS PARA MANTENER EN EXISTENCIA

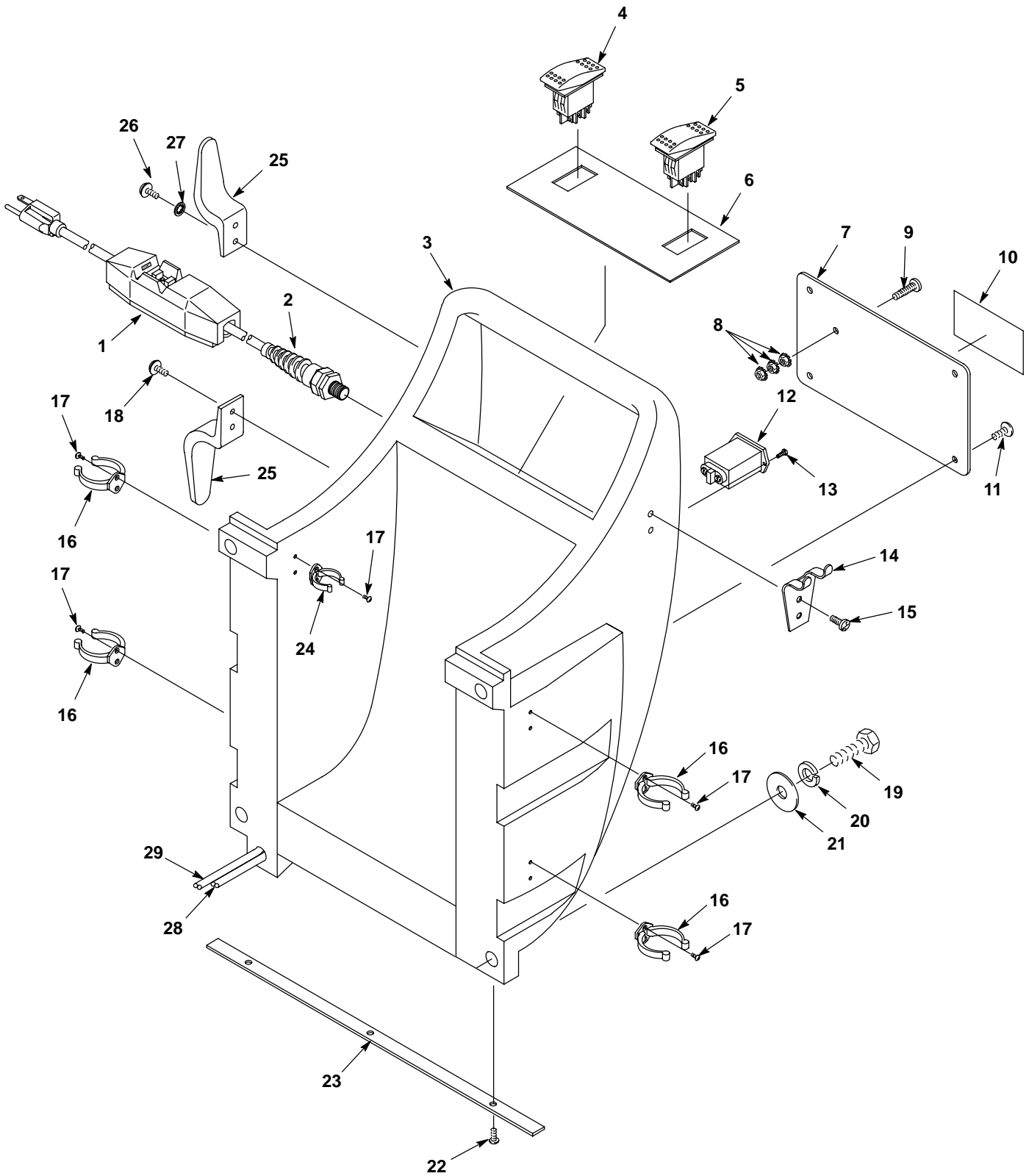
LOWER HOUSING GROUP – GRUPO DEL BASTIDOR INFERIOR

REF	PART #	DESCRIPTION	QTY.
1	25151	●MOTOR, VAC 5.7 2STG (120V)	1
	190155	●BRUSH, CARBON (2-PK)	2
2	130133	TERMINAL, ML DSCNT	2
3	140308	CLAMP, HOSE 1-5/16 TO 2-1/4	2
4	609643	●HOSE, VAC 2"IDX14" WHITE	1
5	100038	●GASKET, VAC MTR 5.7 DIA	1
6	609652	BRACKET, VAC MOTOR MOUNT	1
7	2998.28	SCREW 1/4-20X3-1/2	3
8	140016	WASHER, LOCK	3
9	140000	WASHER, FLAT	3
10	140519	NUT, 10-24 KEP	3
11	140554	SCREW 1/4-20X3/4	2
12	140804	SCREW, 10-24X1	1
13	130450	MOTOR, PUMP DRIVE 1/3HP (120V)	1
14	140015	WASHER, 5/16 SPLITLOCK	2
15	140027	WASHER, 5/16 FLAT	2
16	140506	NUT, 5/16-18 HEX	2
17	180100	PUMP, TWIN PISTON	1
18	140506	NUT 5/16-18 HEX	1
19	130031	MOUNT, MOTOR 1-1/4"	3
20	140223	SCREW 5/16-18X3/4	1
21	130030	MOUNT, MOTOR 3/4"	1
22	230390	HINGE, SOL/REC TANK	1
23	140000	WASHER, 1/4 FLAT	7
24	140885	SCREW, 1/4-20X1/2	7

REF	PART #	DESCRIPTION	QTY.
25	25202	BARB, HOSE	1
26	140519	NUT, 10-24 KEP	3
27	140196	SCREW, 10-24X1	1
28	608906	AXLE, .50 DIA X 18.352	1
29	140008	WASHER, .570X1.28X.075 FLAT	4
30	103009	●WHEEL, 12" X 1.75 WHITE/GRAY	2
31	103019	CAP, HUB 1/2" DIA	2
32	230746	BRACKET, AXLE 1/2DIA OFFSET	2
33	140016	WASHER, 1/4 LOCK	12
34	140259	SCREW, 1/4-20X5/8	12
35	103065	●CASTER, SWIVEL 4"	2
36	140223	SCREW, 5/16-18X3/4	2
37	140932	LATCH, HOOD RUBBER W/ KEEPER	2
38	140023	WASHER, #8 INT	4
39	140801	SCREW, 8-32X3/8	4
40	609752	DECAL, CHEMICAL ON/OFF	1
41	609732	CHASSIS, GREEN	1
42	140308	CLAMP, HOSE 1-5/16 TO 2-1/4	1
43	160629	●HOSE, 2" X 28" WHITE	1
44	190310	●PUMP, SHAFT KEY 5300 SERIES	1
45	610144	SPACER, VAC MOTOR	3
46	102567	GASKET, VAC MOTOR INTAKE	1

● RECOMMENDED STOCK ITEMS / ARTICULOS RECOMENDADOS PARA MANTENER EN EXISTENCIA

HANDLE GROUP – GRUPO DEL MANGO



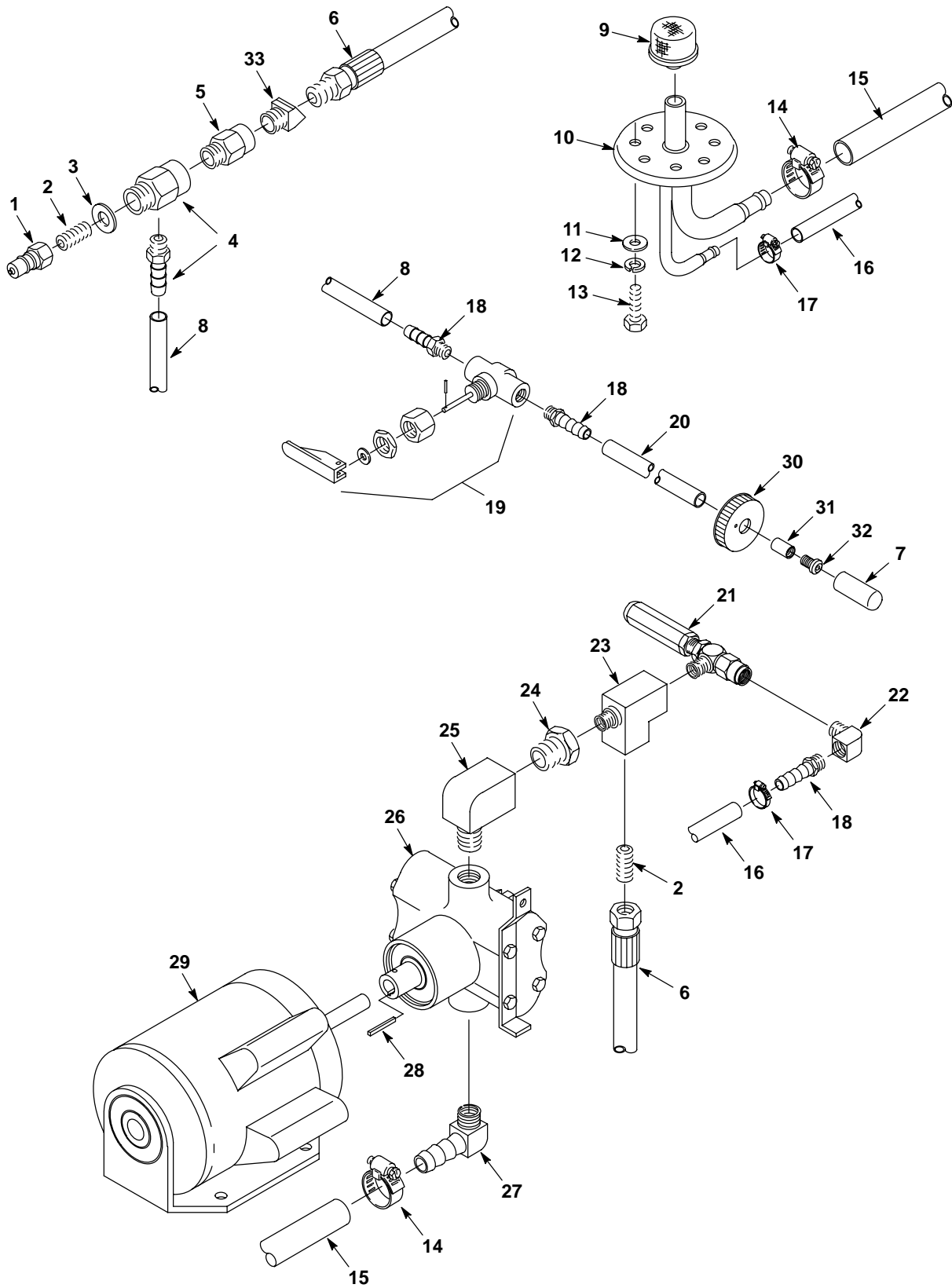
HANDLE GROUP – GRUPO DEL MANGO

REF	PART #	DESCRIPTION	QTY.
1	609754	●CORD, POWER 25' W/GFCI	1
2	130166	●CORD GRIP, NYLON/BLK W/NUT	1
3	609734	HANDLE, GREEN	1
4	608605	●SWITCH, ROCKER DPST SEAL	1
5	609657	●SWITCH, ROCKER ON/OFF/ON	1
6	609748	DECAL, DASH	1
7	230908.BK	PLATE, REAR COVER BLACK	1
8	140519	NUT, 10–24 KEP	3
9	140900	SCREW, 10–24X3/4	1
10	120619	DECAL, WARNING EXTRACTORS	1
11	140197	SCREW, 10–24X3/8	4
12	130017	METER, HOUR	1
13	140825	SCREW, #6X1/2	2
14	230696.BK	BRACKET, DRAIN HOSE HANGER	1
15	140825	SCREW, #6X1/2	2

REF	PART #	DESCRIPTION	QTY.
16	610733	CLIP, WAND	4
17	140825	SCREW, #6X1/2	10
18	140197	SCREW, 10–24X3/8	2
19	140231	SCREW, 3/8X1–1/2	4
20	140017	WASHER, 3/8 SPLITLOCK	4
21	140028	WASHER, 3/8 FLAT	4
22	140825	SCREW, #6X1/2	3
23	609753	PLATE, WAND STOP	1
24	610732	CLIP, TELESCOPING WAND LARGE	1
25	230920.BK	HOOK, CORD BLACK	2
26	140197	SCREW, 10–24X3/8	2
27	140031	WASHER, #10	2
28	701138	CORD ASSEMBLY, 14/4X44" BLK	1
29	701139	CORD, 14/3X63" BLACK SJTO	1

● RECOMMENDED STOCK ITEMS / ARTICULOS RECOMENDADOS PARA MANTENER EN EXISTENCIA

PLUMBING GROUP – GRUPO DE PLOMERIA



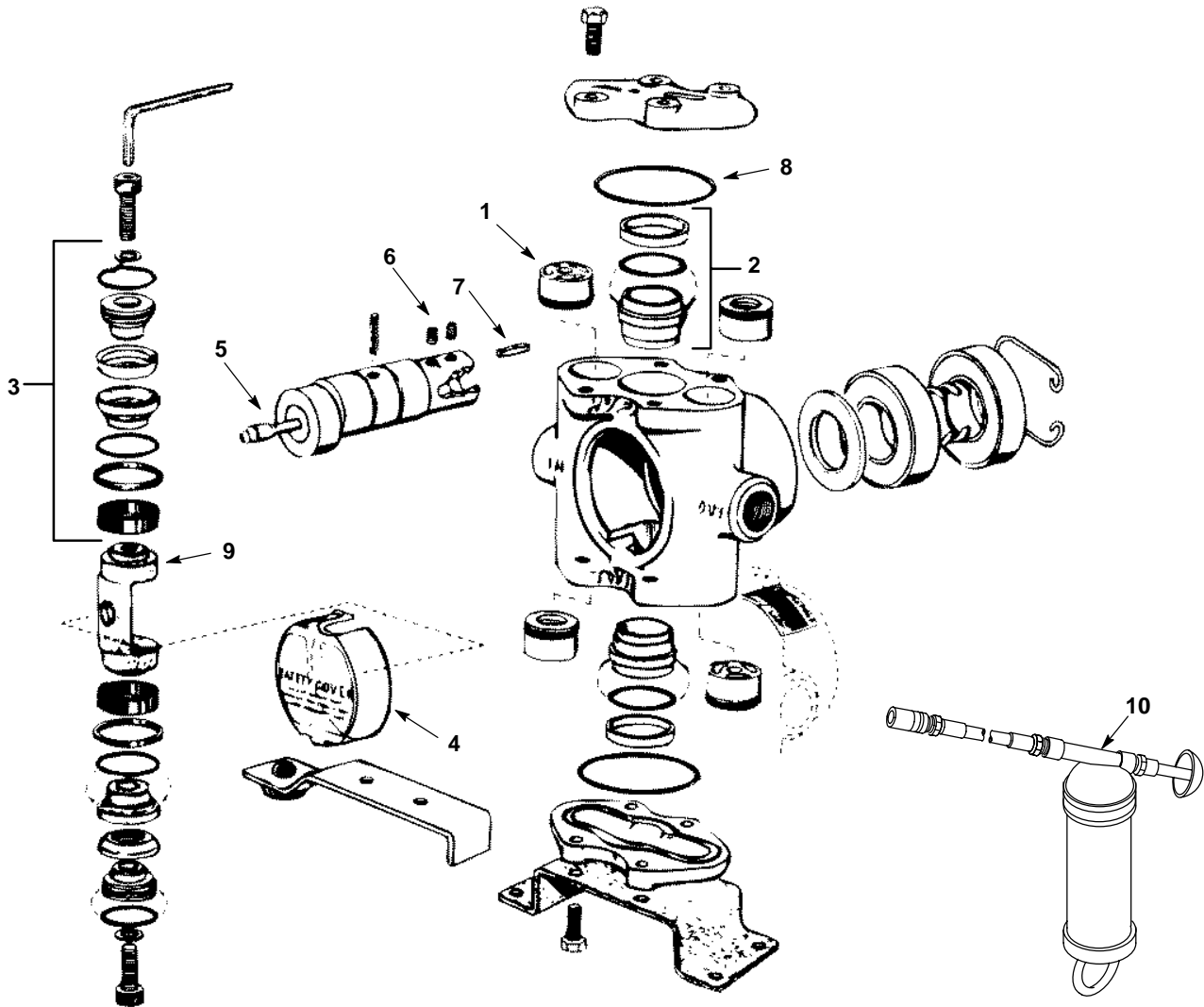
PLUMBING GROUP – GRUPO DE PLOMERIA

REF	PART #	DESCRIPTION	QTY.
1	150933	FITTING, 1/4F QD MALE BRS SER60	1
2	150615	FITTING, 1/4M NIPL-CLOSE BRS	2
3	140058	WASHER, .543X.875X.062 WAND	1
4	609660	INJECTOR	1
5	150110	ADAPTER, 1/4" BRASS	1
6	160140	HOSE, PULSE 36"	1
7	609988	●CAP, INJECTOR HOSE	1
8	607307	TUBING, 1/4IDX3/8ODX.833' GRAY	1
9	603186	●SCREEN, CLEAN WATER TANK	1
10	609703	ASM, BLADDER PLATE	1
11	140000	WASHER, 1/4 FLAT	4
12	140016	WASHER, 1/4 LOCK	4
13	140554	SCREW, 1/4-20X3/4 HXHDCP	4
14	140305	CLAMP, HOSE 7/32-5/8	2
15	609923	HOSE, 1/2ID X 35"	1
16	609920	HOSE, 1/4 LP X 3.33' GRAY	1
17	630369	CLAMP, HOSE .50-1.1	2

REF	PART #	DESCRIPTION	QTY.
18	150525	FITTING, 1/8MX1/4H BARB BRS	3
19	210014	VALVE, TOGGLE – WITH NUT	1
20	609922	TUBING, 1/4IDX3/8ODX6.33' BLUE	1
21	210211	VALVE, PRESSURE RELIEF	1
22	150407	FITTING, 1/8FX1/8M ELBOW STRT90	1
23	150709	FITTING, 1/4FX1/4FX1/4M BRS	1
24	150101	FITTING, 1/2MX1/4F BUSHNG BRS	1
25	150405	FITTING, 1/2MX1/2F ELB STRT90	1
26	180100	PUMP, TWIN PISTON	1
27	150431	FITTING, 1/2MX1/2H ELBOW 90	1
28	190310	●PUMP, SHAFT KEY 5300 SERIES	1
29	130450	●MOTOR, PUMP DRIVE 1/3HP(120V)	1
30	231062	●CAP, 1 GAL. BOTTLE	1
31	609976	●SPACER, 5/16DIAX1/2 8-32	1
32	609757	●KIT, METERING TIPS (SET OF 3)	1
33	150403	FITTING, 1/4MX1/4F, 45° STRT	1

● RECOMMENDED STOCK ITEMS / ARTICULOS RECOMENDADOS PARA MANTENER EN EXISTENCIA

SOLUTION PUMP GROUP – GRUPO DE LA BOMBA DE SOLUCION

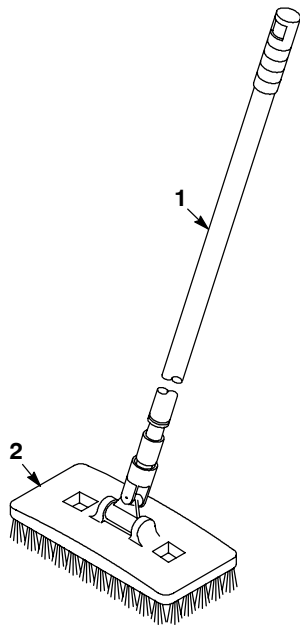


REF	PART #	DESCRIPTION	QTY.
	180100	PUMP, TWIN PISTON (COMPLETE)	1
1	190301	●VALVE KIT, SET OF 4	1
2	190302	●KIT, CYLINDER SLEEVE	1
3	190300	●CUP KIT, SET OF 2	1
4	190307	SAFETY COVER	1
5	190305	GREASE FITTING	1
6	190309	SET SCREWS, PUMP	2

REF	PART #	DESCRIPTION	QTY.
7	190310	●SHAFT KEY	1
8	190303	●KIT, O-RING (INCLUDES 2 O-RINGS)	1
9	190304	CONNECTING ROD	1
N/S	190316	●PULLER, VALVE SPRING RETAINER	1
N/S	190317	●PULLER, VALVE, POPPET SEAT	1
10	190022	GUN, GREASE METAL	1

N/S= NOT SHOWN / NO INDICADO

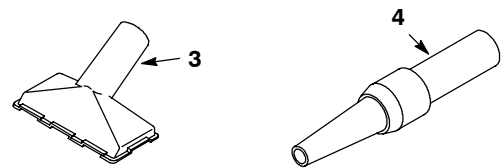
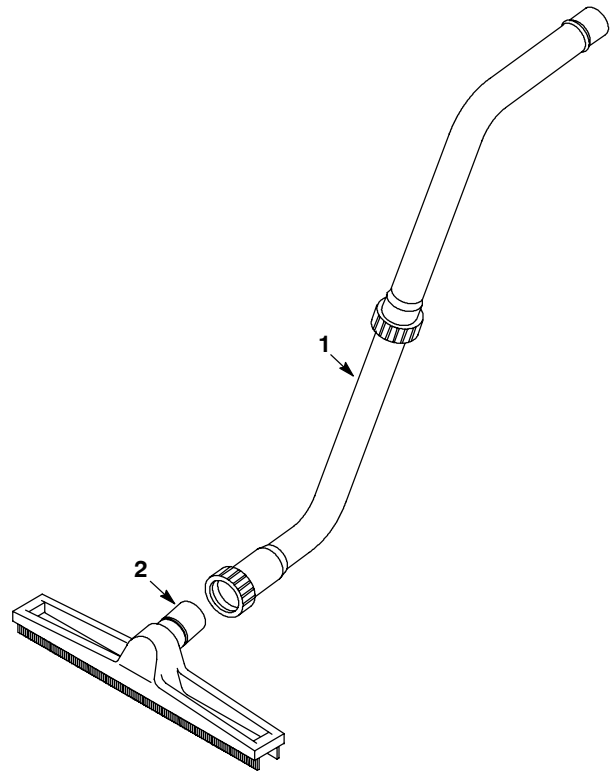
TELESCOPING BRUSH
CEPILLO TELESCOPICO



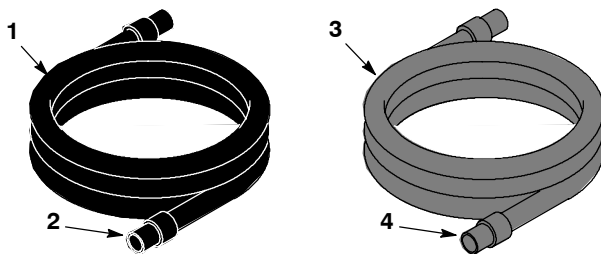
REF	PART #	DESCRIPTION	QTY.
1	610731	●HANDLE TELESCOPING LARGE	1
2	609650	●BRUSH	1

● RECOMMENDED STOCK ITEMS / ARTICULOS RECOMENDADOS PARA MANTENER EN EXISTENCIA

WAND/HOSE TOOL ACCESSORY KIT
JUEGO DE ACCESORIOS DE
HERRAMIENTAS DE VARILLA/MANGUERA



VACUUM AND BLOWER HOSES
MANGUERAS DE ASPIRACION
Y SOPLADOR



REF	PART #	DESCRIPTION	QTY.
▽ 1	610683	●HOSE, VACUUM, 1.5D X 25'L, 2-CUFFS, BLK	1
▲ 2	160486	●CUFF, HOSE, 1.50D BLACK	2
▽ 3	1010410	●HOSE, 1.25"X6' EXPAND W/ 1.5" CUFFS GRAY	1
▲ 4	1010458	●CUFF, 1.5"OD X 1.25"ID THD X 3.7"L GRAY	2

▽ ASSEMBLY / CONJUNTO

▲ INCLUDED IN ASSEMBLY / INCLUIDO EN EL CONJUNTO

● RECOMMENDED STOCK ITEMS / ARTICULOS RECOMENDADOS PARA MANTENER EN EXISTENCIA

REF	PART #	DESCRIPTION	QTY.
▽	610140	KIT ACCESORIES WAND/TOOLS	1
▲ 1	1010457	●WAND, DOUBLE BEND, TELESCOPIC	1
▲▽ 2	609648	●ASM, SQUEEGEE 14"	1
▲	612869	●BLADE, SQGE, 1 PC FOR 609648	2
▲	1022670	●WHEEL, ROLLER	2
▲	1022671	●HOUSING, HOLDER, WHEEL	1
▲ 3	609645	●TOOL GULPER UTILITY 5"	1
▲ 4	609644	●NOZZLE BLOWER	1

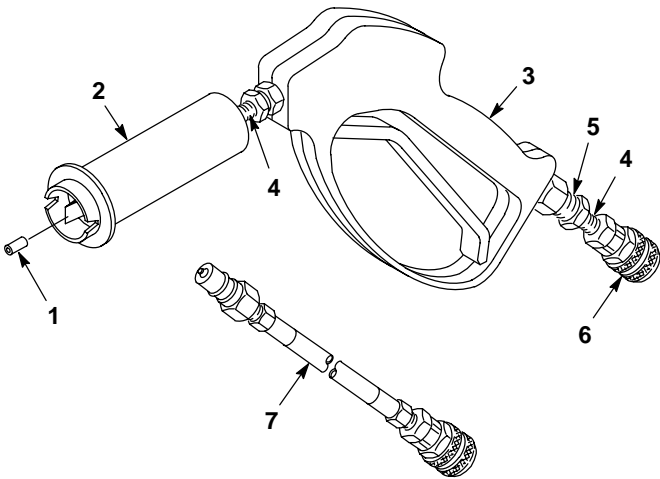
▽ ASSEMBLY / CONJUNTO

▲ INCLUDED IN ASSEMBLY / INCLUIDO EN EL CONJUNTO

● RECOMMENDED STOCK ITEMS / ARTICULOS RECOMENDADOS PARA MANTENER EN EXISTENCIA

**PARTS LIST
LISTA DE PIEZAS**

**SPRAY GUN AND SOLUTION HOSE –
REVOLVER ROCIADOR CON MANGUERA**

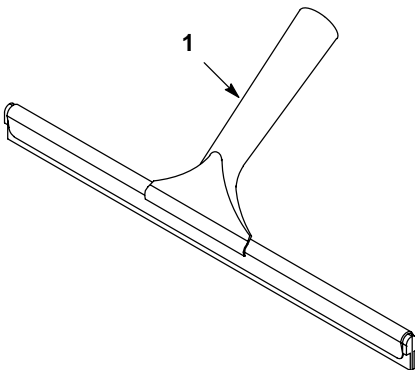


REF	PART #	DESCRIPTION	QTY.
	610845	KIT, SPRAY GUN AND HOSE W/QDC	1
▽	610791	GUN, SPRAY COMPLETE	1
▲1	610141	ORIFICE, SPRAY NOZZLE	1
▲2	609658	●NOZZLE, HI/LO	1
▲3	609661	●GUN, SPRAY	1
▲4	150615	FITTING, 1/4MX7/8 CLOSE NIPPLE	2
▲5	150006	FITTING, 1/4FX3/8M REDUCER	1
▲6	150913	FITTING, 1/4F QD FEML BRS SER60	1
7	610792	ASM, HOSE1/4X25' SER60F/60M QD	1

▽ ASSEMBLY / CONJUNTO

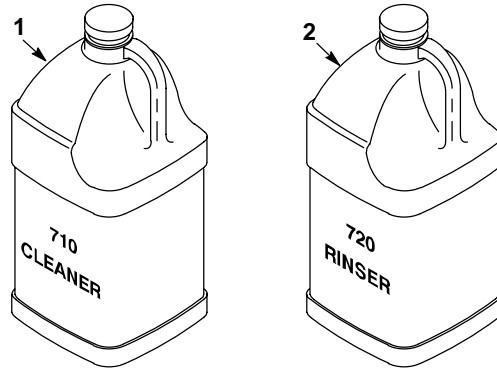
▲ INCLUDED IN ASSEMBLY / INCLUIDO EN EL CONJUNTO

**GLASS SQUEEGEE –
ESCURRIDOR DE VIDRIO**



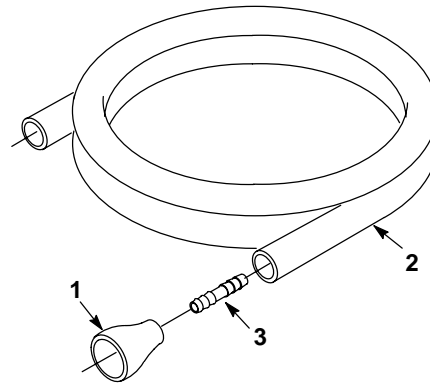
REF	PART #	DESCRIPTION	QTY.
1	609641	SQUEEGEE, GLASS	1

FORMULA



REF	PART #	DESCRIPTION	QTY.
1	609801	●FORMULA, 710 CLEANER (4-1 GAL)	1
2	609802	●FORMULA, 720 RINSE (4-1 GAL)	1

**SOLUTION TANK FILL HOSE – MANGUERA
DE LLENADO DEL TANQUE DE SOLUCION**

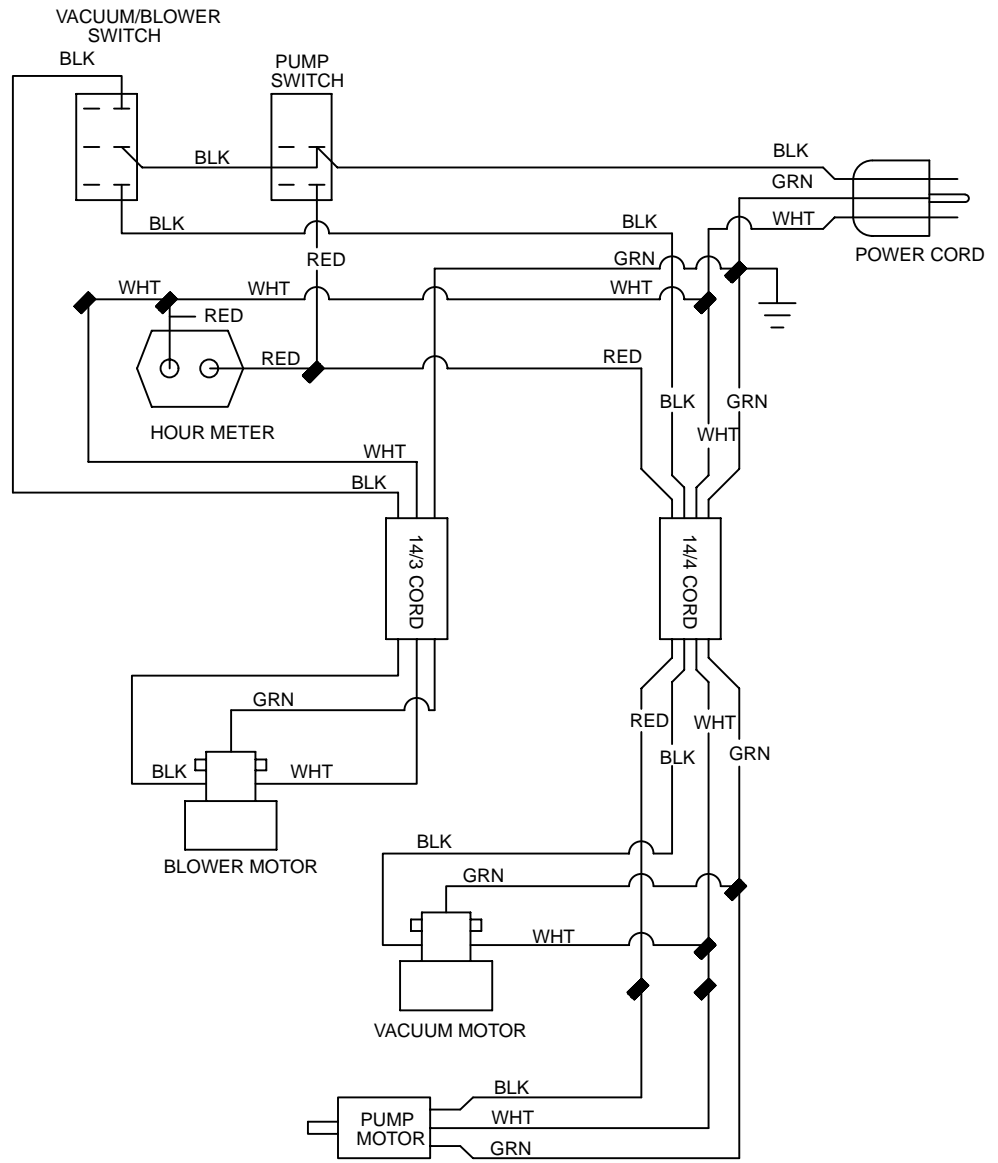


REF	PART #	DESCRIPTION	QTY.
▽	609983	HOSE, FILL	1
▲1	609984	ADAPTER, FAUCET	1
▲2	14894.48	HOSE, CLEAR 4.0 FT	1
▲3	606674	UNION CONN. BARB .5 X .5	1

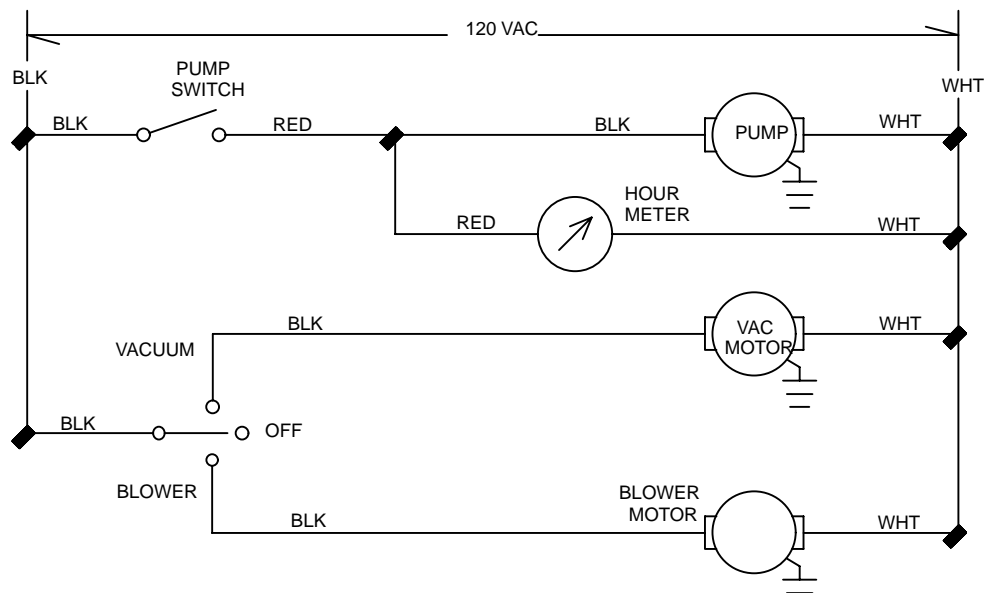
▽ ASSEMBLY / CONJUNTO

▲ INCLUDED IN ASSEMBLY / INCLUIDO EN EL CONJUNTO

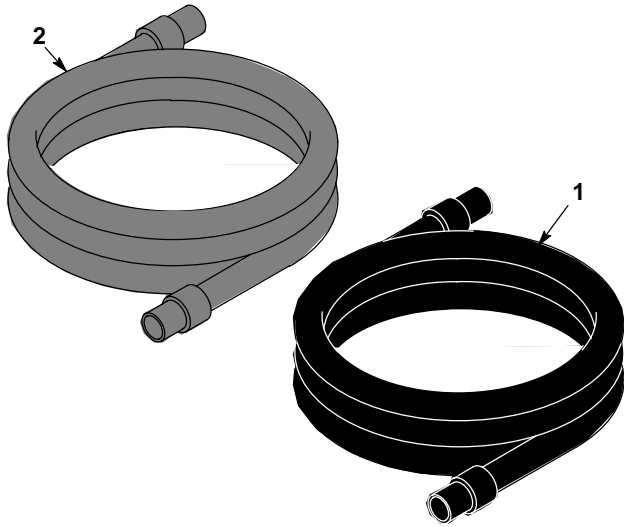
120V WIRING
DIAGRAM –
DIAGRAMA DE
CABLEADO DE
120V



120V LADDER
DIAGRAM –
DIAGRAMA
ESCALONADO
DE 120V

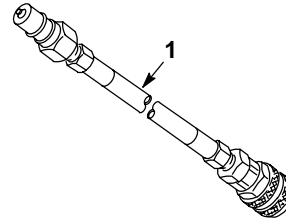


**15 FT (4.6 M) VACUUM AND
BLOWER HOSES – MANGUERAS DE 15 PIES
(4.6 M) DE ASPIRACION Y SOPLADO**



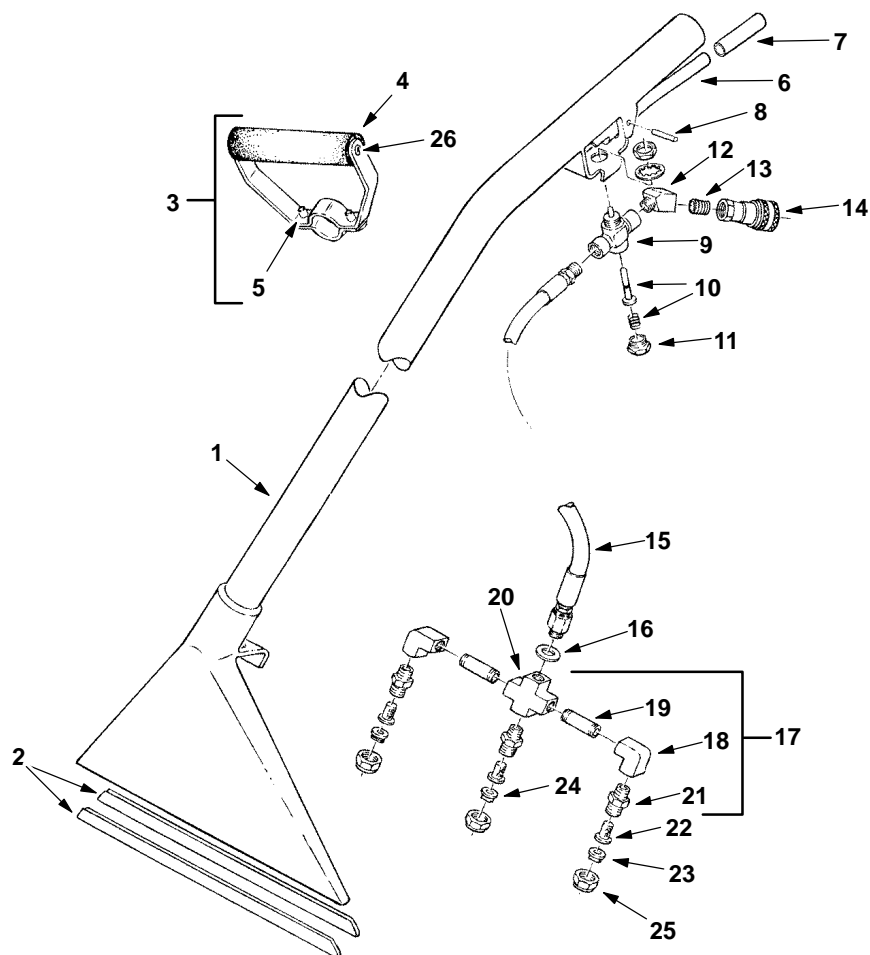
REF	PART #	DESCRIPTION	QTY.
1	609977	HOSE, 1-1/2X15' BLACK W/CUFFS	1
2	609978	HOSE, 1-1/4X15' GRAY W/CUFFS	1

**15 FT (4.6 M) SPRAY GUN SOLUTION HOSE
– MANGUERA DE 15 PIES (4.6 M) DE
REVOLVER ROCIADOR**



REF	PART #	DESCRIPTION	QTY.
1	609979	HOSE, 15 FT, SER60F-SER60M QD	1

13 IN (330 mm) CARPET CLEANING FLOOR TOOL –
13 PIES (330 mm) EL ACCESORIO PARA LIMPIAR ALFOMBRAS



REF	PART #	DESCRIPTION	QTY.
	600049	TOOL, 13" FLOOR (COMPLETE)	1
1	200403.BK	TOOL, 13" FLOOR	1
2	200939	SHOES, FLOOR TOOL	2
3	200927	GRIP, ADJUSTABLE COMPLETE	1
4	200912	FOAM, GRIP	1
5	140259	SCREW, 1/4 X 5/8	2
6	200902	TRIGGER, FLOOR TOOL	1
7	200809	SLEEVE, TRIGGER	1
8	140605	PIN	1
	140520	NUT, PUSH	2
9	210150	VALVE, FLOW CONTROL	1
10	190603	KIT, VALVE PIN & SPRING	1
11	N/A	CAP, HEX, VALVE	1
12	150403	ELBOW, 1/4-45°	1
13	150615	NIPPLE, CLOSE 1/4	1

REF	PART #	DESCRIPTION	QTY.
14	150913	COUPLER, QUICK SER. 60	1
15	160175	HOSE, SOLUTION HP	1
16	140058	WASHER	1
▽17	700062	ASM., SPRAY BAR	1
▲18	150401	ELBOW, 90° 1/4F X 1/4F	2
▲19	150600	NIPPLE	2
▲20	150700	CROSS	1
▲21	200993	SPRAY BODY	3
22	200996	SCREEN, SPRAY BODY	3
23	200986	TIP, SPRAY (#9502)	2
24	200988	TIP, SPRAY (#11002)	1
25	200994	CAP, SPRAY BODY	3
26	140834	SCREW, 1/4-20 X 5/8	2
N/S	120845	DECAL, "HIGH PRESSURE"	1

▽ ASSEMBLY / CONJUNTO

▲ INCLUDED IN ASSEMBLY / INCLUIDO EN EL CONJUNTO

N/S - NOT SHOWN / NO INDICADO