

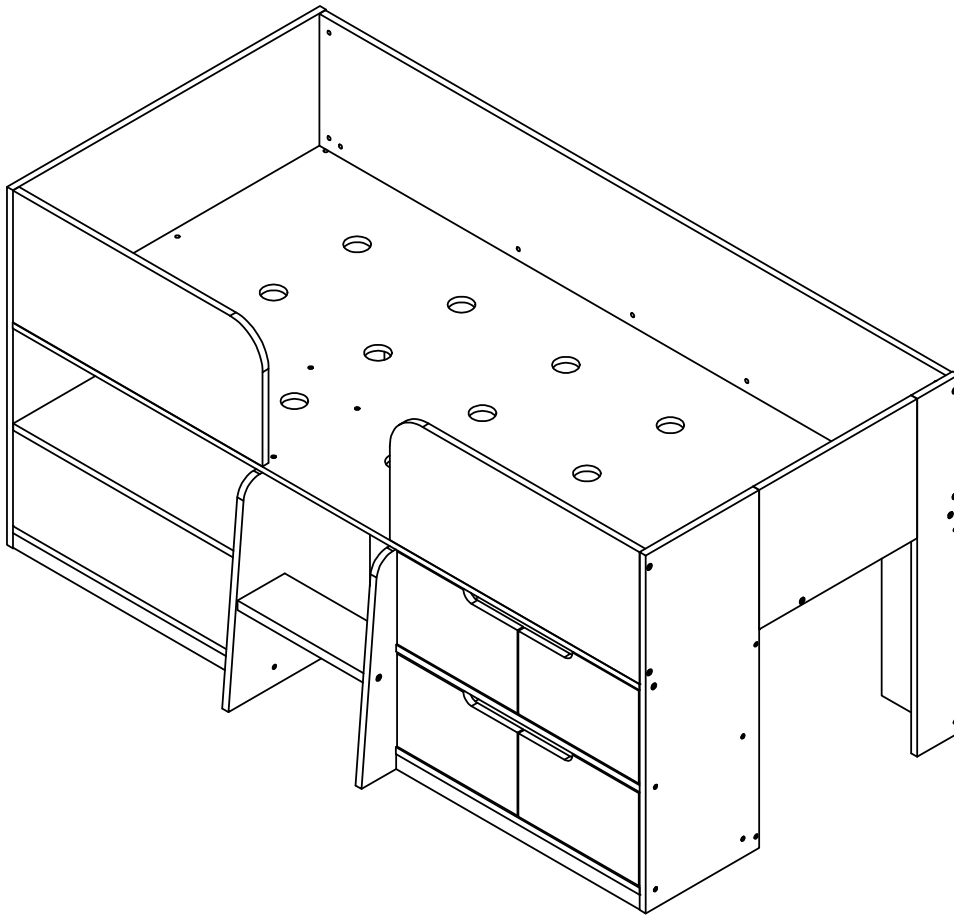
**next**

# COMPTON CABIN BED

362620/992128/122245  
Assembly instructions

**Actual product size**

H95 x W196 x D96cm



**IMPORTANT- RETAIN FOR FUTURE  
REFERENCE- READ CAREFULLY.**

**This child's bed conforms to BS EN 747:2012**

**Need Help ?**

With: Assembly instruction  
Missing or damaged parts

**CALL: 0333 777 8999**

## BEFORE YOU START

### WARNINGS

Routinely check that the upper safety rail and ladder attachment is secure and tighten any fittings using the appropriate tools

All assembly fittings shall always be tightened properly. Screws shall not be loose because a child can squeeze parts of the body, or clothing (e.g. strings, necklaces, ribbons for babies, dummies, etc.) could get caught. There would be danger of strangulation.

**WARNING:** Children can become trapped between the bed and the wall. To avoid risk of serious injury the distance between the top safety barrier and the wall shall not exceed 75mm or shall be more than 230mm.

**WARNING:** Do not use this child's bed if any part is broken, torn or missing

**WARNING:** High beds and the upper bed of bunk beds are not suitable for children under six years due to risk of injury from falls

Do not leave items such as ropes, strings, cords, harnesses and belts attached to or hung to the bunk/high bed due to the risk of strangulation

Children are likely to play, bounce, jump and climb on beds, therefore the child's bed should not be placed too close to other furniture or windows, and should be placed either tight to any wall or have a gap of 300mm between the wall and the side of the bed

### Do's

When you are ready to start, make sure that you have the right tools and plenty of space

Due to the size of the product we recommend that it is assembled in the room intended for use

Unwrap all packaging materials and place the components on a clean surface to protect it from damage,

We recommend that the packaging is used to protect the surfaces during assembly

Carefully check that you have all the parts before beginning assembly

To clean your item, wipe with a soft cloth slightly dampened with water. Then buff with a dry clean cloth

This bed is designed to be used with a mattress with the following dimensions H17 X W90 X D190cm.

Please ensure that the mattress depth does not go past the permanent mark on the post/Upper Safety Barrier

Please periodically check all fittings and re-tighten as necessary

### Don'ts

Do not drag or pull your furniture

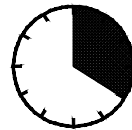
Do not use silicone based furniture polish. Silicone in furniture polishes can break down the finish

Do not stand or jump on this product

### Number of people required to assemble

Three people are required to assemble this item

### Time to assemble



4 hour

### Tools required



not supplied



not supplied

### Missing parts

If you are missing any fixtures and fittings for your product. Please contact our customer service team on 0333 777 8999 and they will be happy to arrange for a replacement to be sent to you free of charge.

### Home service technicians

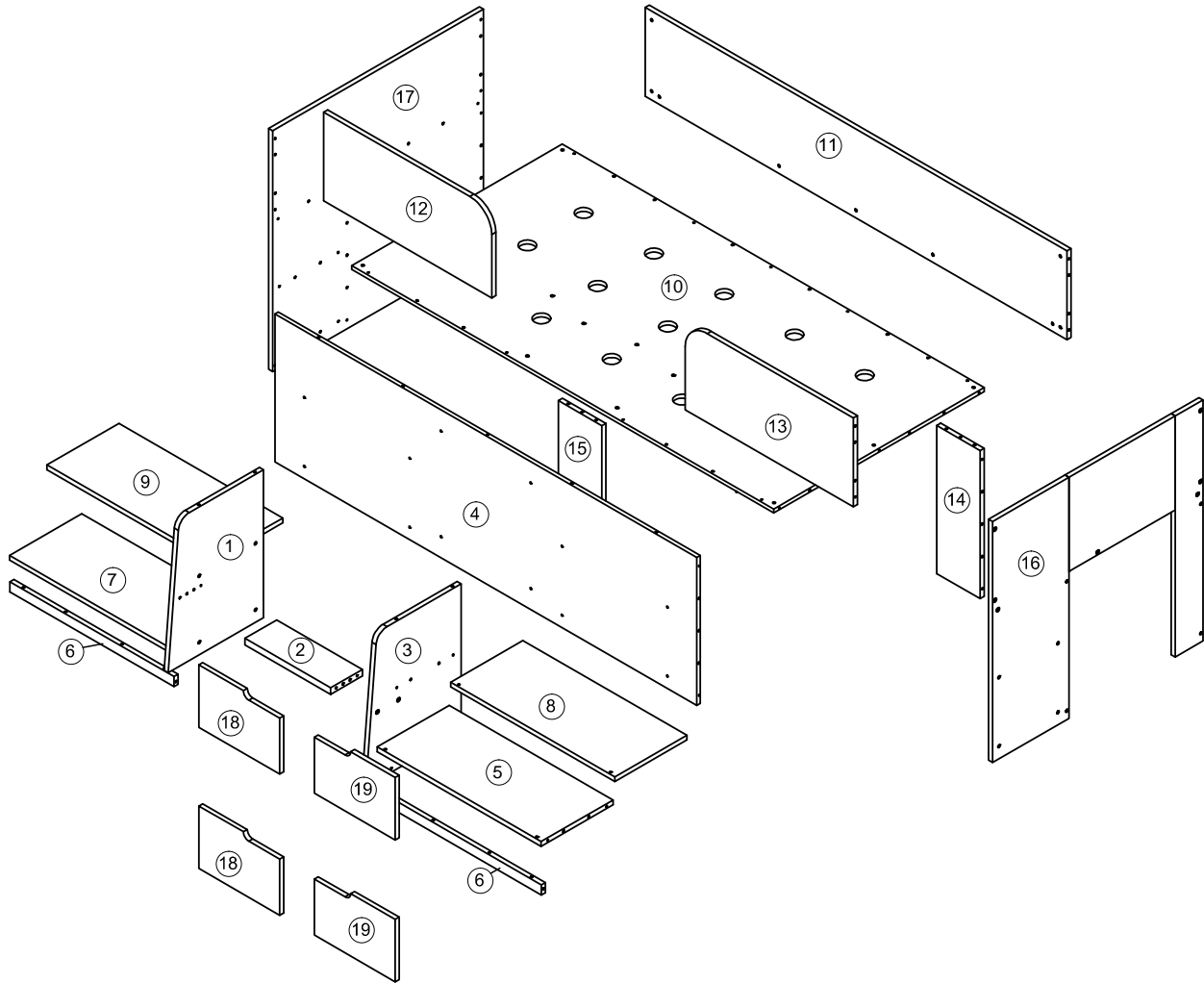
If you have a fault with your product, please contact our customer service team on 0333 777 8999. If you have had the product for 28 days or less you may be offered a replacement, refund or for a fully trained home service technician to visit your home to assess the fault and repair the product where possible. If you have had the product for more than 28 days we will send an independent home service technician to review and repair the product where possible and recommend further action.

### You can write to us at

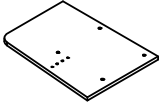
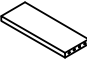

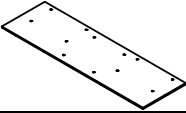
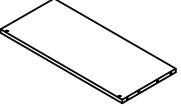

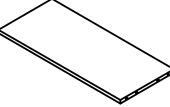
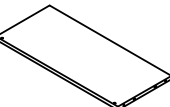
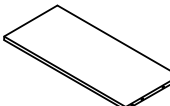
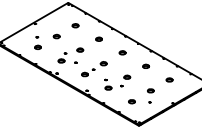
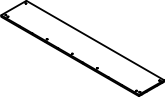

Home Customer Services  
Next Retail Ltd.  
Desford Road,  
Leicester,  
LE19 4AT

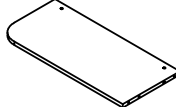


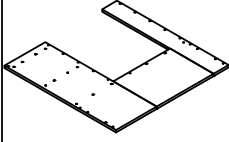
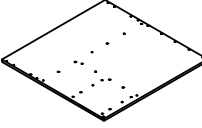
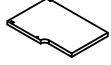
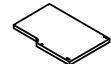
To view our full furniture range please visit [www.next.co.uk](http://www.next.co.uk)

GETTING TO KNOW YOUR PRODUCT



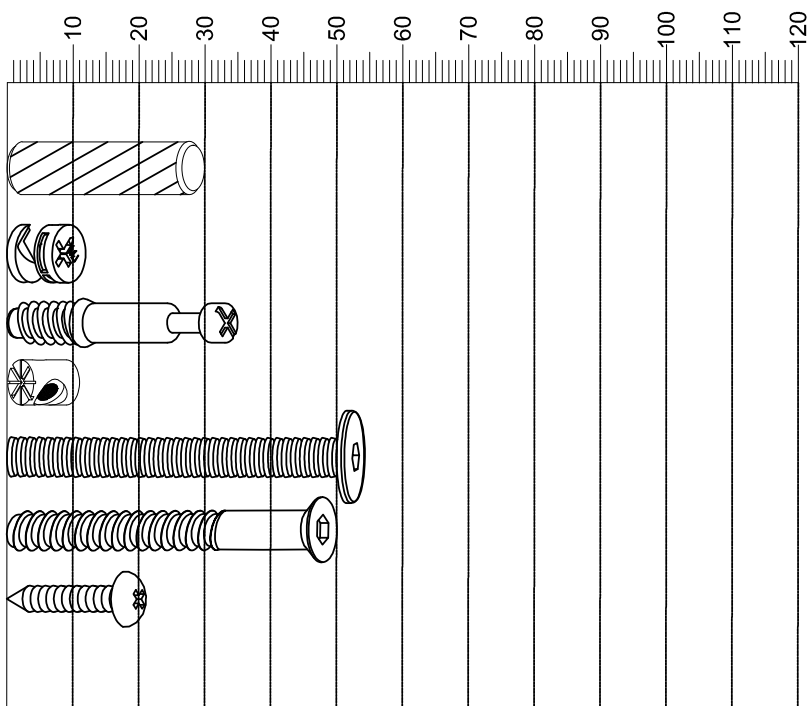
Components supplied. Please use this guide if you require replacement parts.

Ref	Dimensions	Visual	Qty	Ctn
1	43x58cm		1	1
2	15x39cm		1	1
3	43x58cm		1	1
4	58x192cm		1	2
5	33x75cm		1	1
6	4x75cm		2	1
7	33x75cm		1	1
8	33x75cm		1	1
9	33x75cm		1	1
10	96x192cm		1	2
11	35x192cm		1	2
12	35x77cm		1	1

Ref	Dimensions	Visual	Qty	Ctn
13	35x77cm		1	1
14	20x58cm		1	1
15	20x58cm		1	1
16	95x96cm		1	3
17	95x96cm		1	3
18	25x37cm		2	1
19	25x37cm		2	1

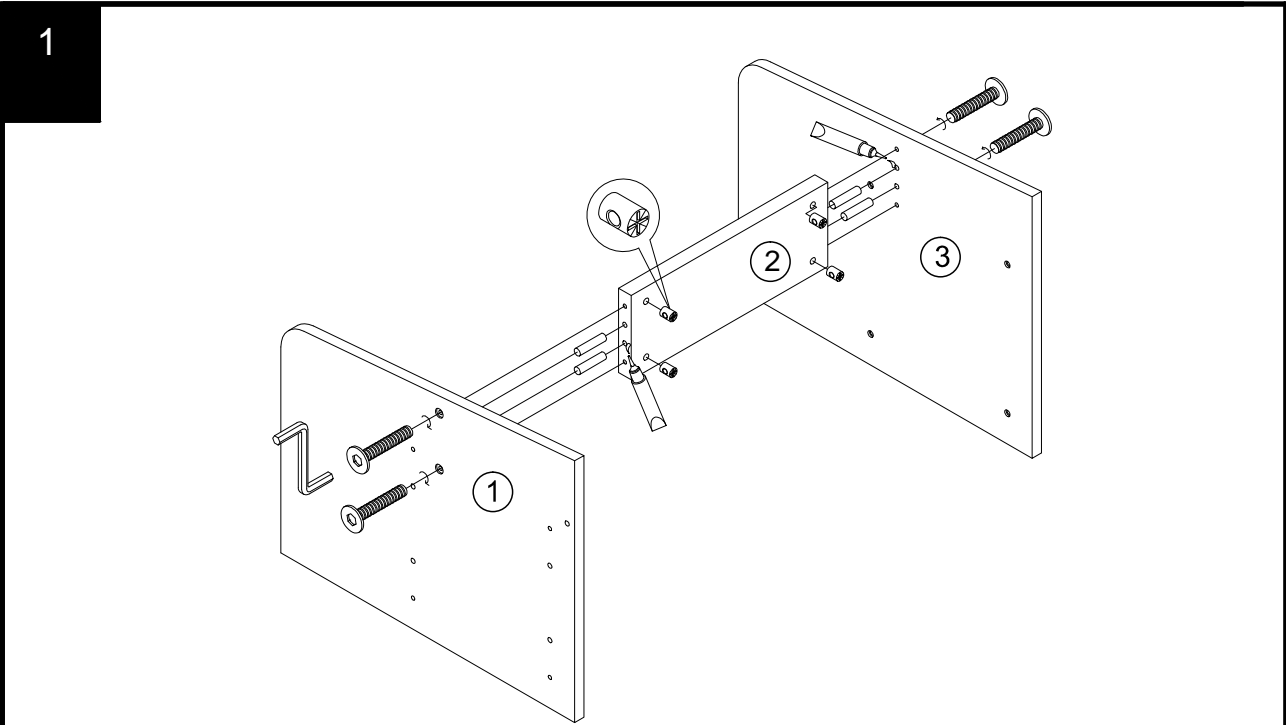
**Fixtures and fittings supplied (actual size)**

Ref	Dimensions	Qty	Spare Qty
D6	Ø8 x 30mm	74	2
B4	Ø15 x 12mm	2	1
B7	Ø7.5 x 35mm	2	1
K6	Ø10 x 11mm	27	2
V77	Ø6 x 50mm	27	2
Y8	Ø6 x 50mm	45	2
S41	Ø4 x 16mm	24	1

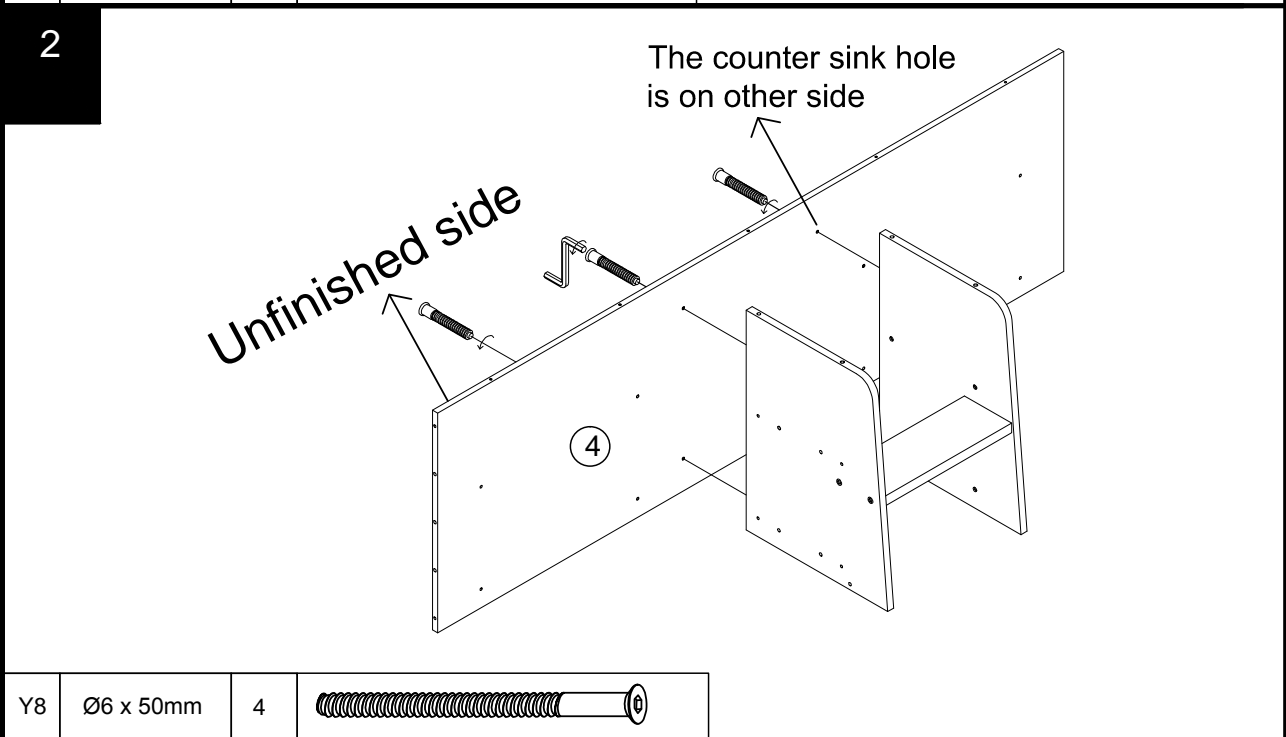


**Fixtures and fittings supplied ( not to scale)**

Ref	Dimensions	Qty	Spare Qty	Visual
D14	N/A	5	N/A	
T4	N/A	1	N/A	
T1	N/A	1	N/A	
H1	N/A	4	N/A	
H2	N/A	4	N/A	
M33	N/A	8	2	
M26	N/A	4	1	
M5	N/A	4	N/A	

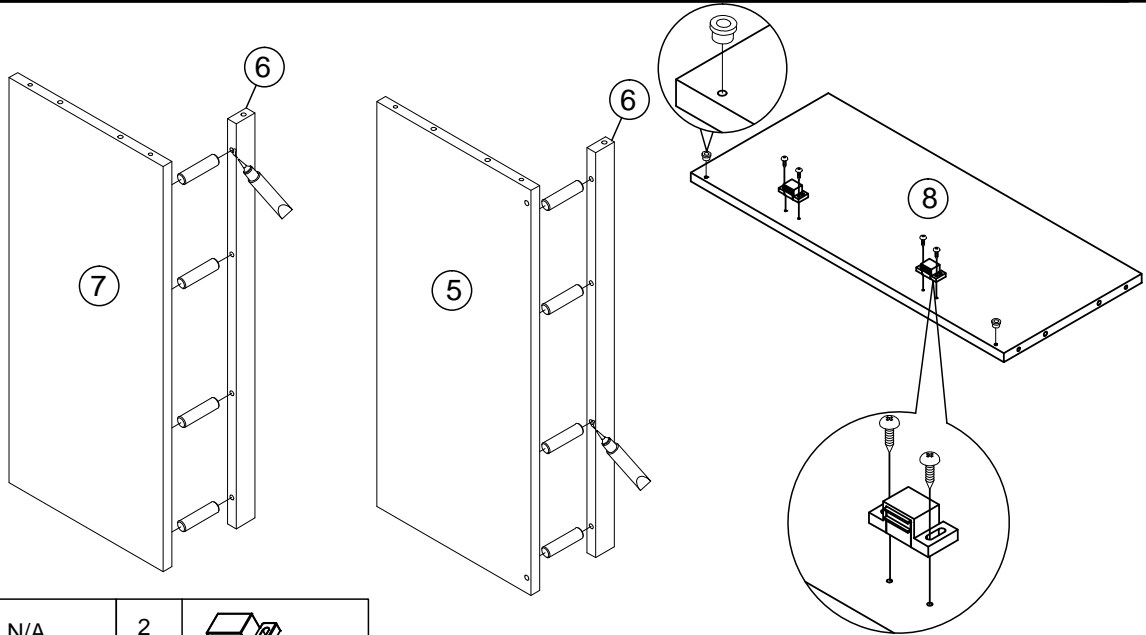


K6	Ø10 x 11mm	4	
D6	8 x 30mm	4	 not supplied
V77	Ø6 x 50mm	4	



Y8	Ø6 x 50mm	4	
----	-----------	---	--

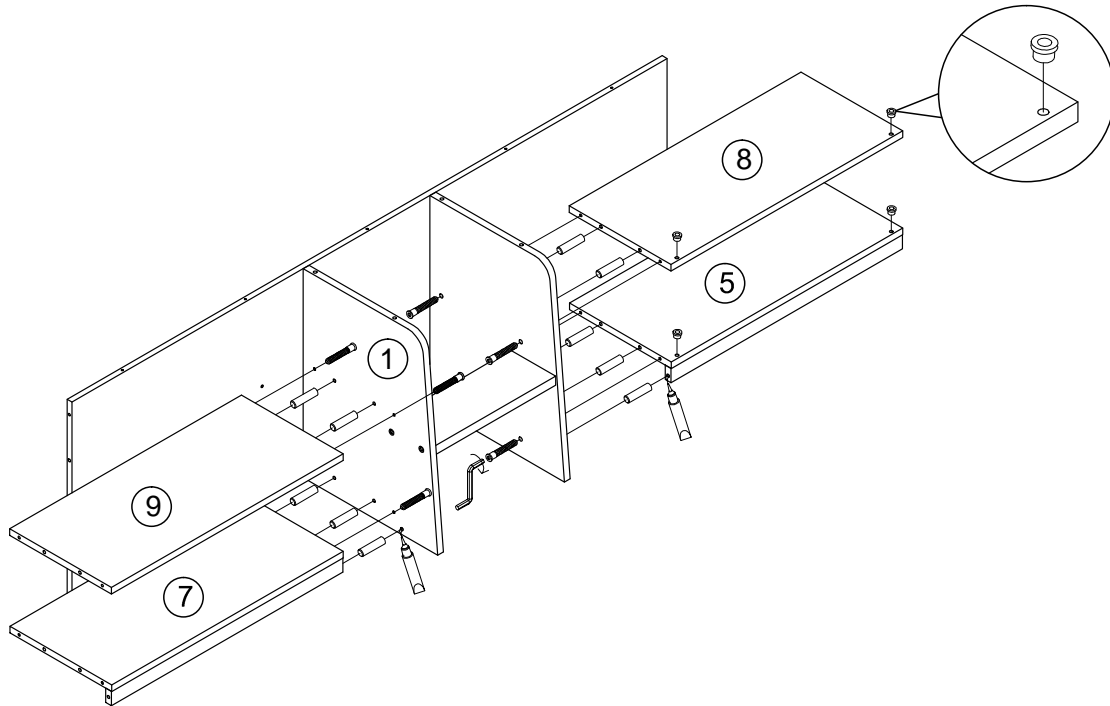
3



M5	N/A	2	
S41	Ø4 x 16mm	4	 not supplied
D6	8 x 30mm	8	 not supplied

M33	N/A	2	
-----	-----	---	--

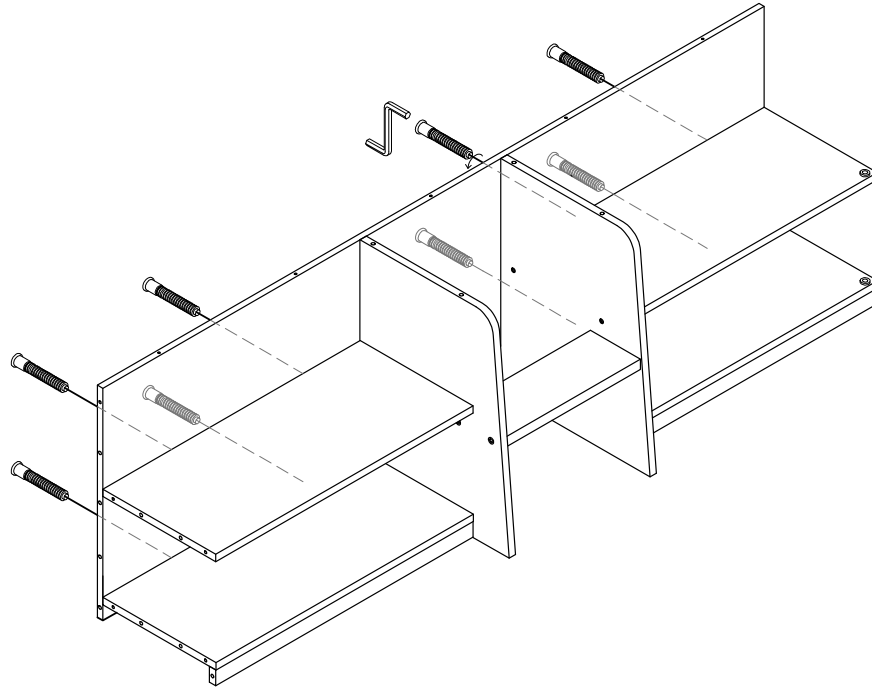
4



Y8	Ø6 x 50mm	8	 not supplied
D6	8 x 30mm	10	 not supplied

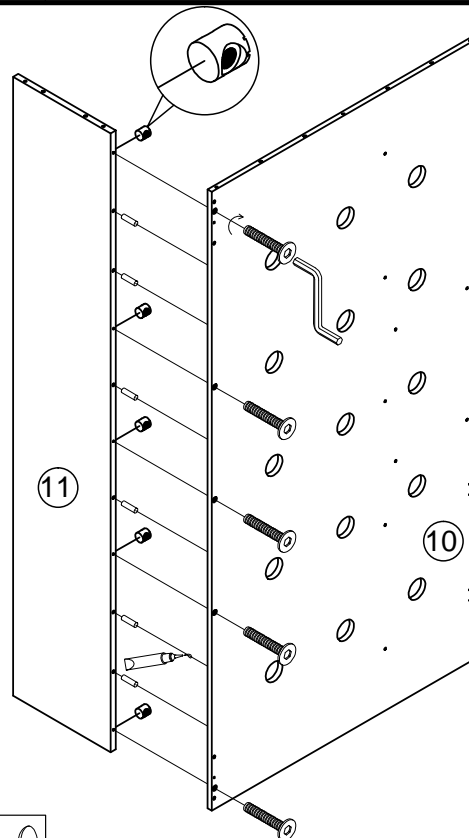
M33	N/A	4	
-----	-----	---	--


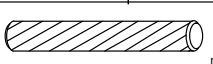

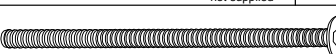
5



Y8	Ø6 x 50mm	8	
----	-----------	---	--

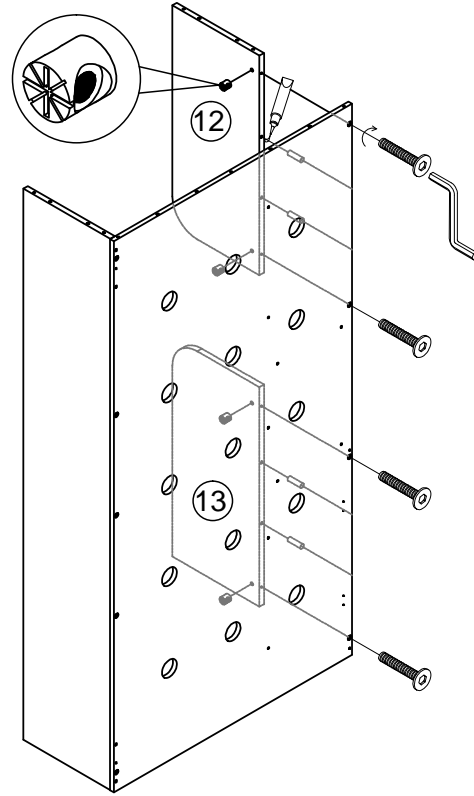
6

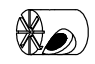
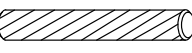

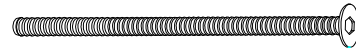


K6	Ø10 x 11mm	5	
D6	8 x 30mm	6	  not supplied
V77	Ø6 x 50mm	5	

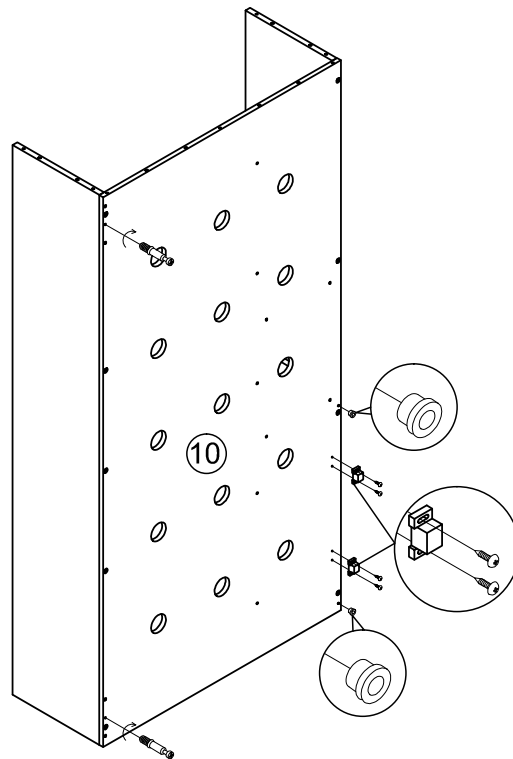
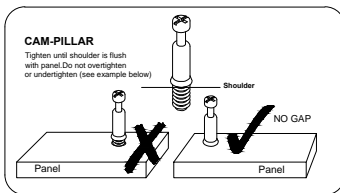






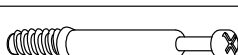

7



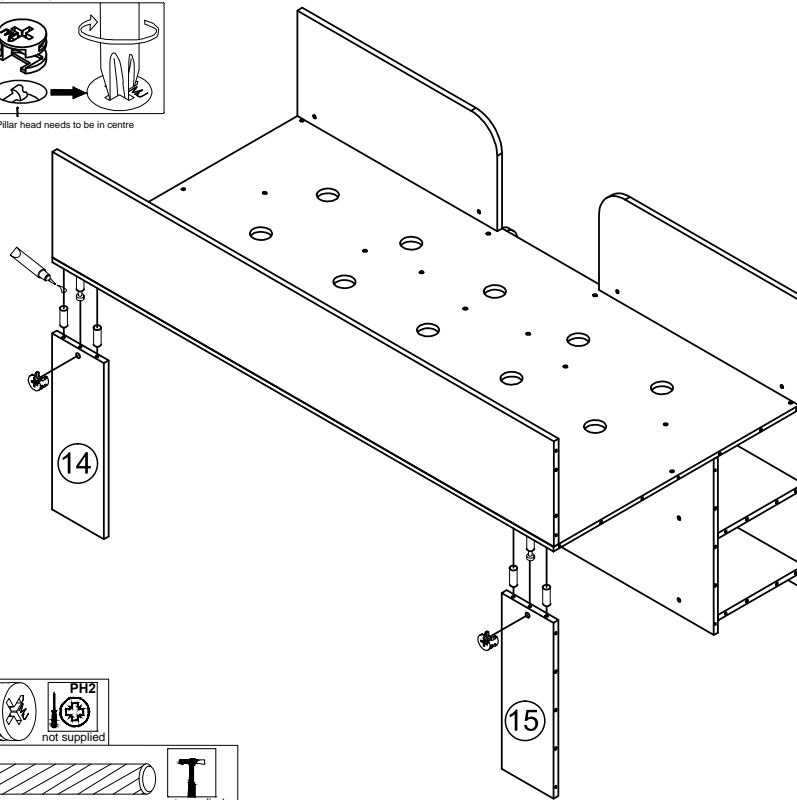
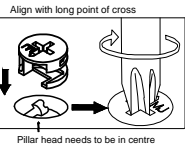
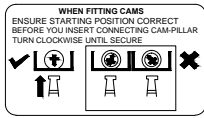
K6	Ø10 x 11mm	4	
D6	8 x 30mm	4	  not supplied
V77	Ø6 x 50mm	4	


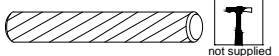
8



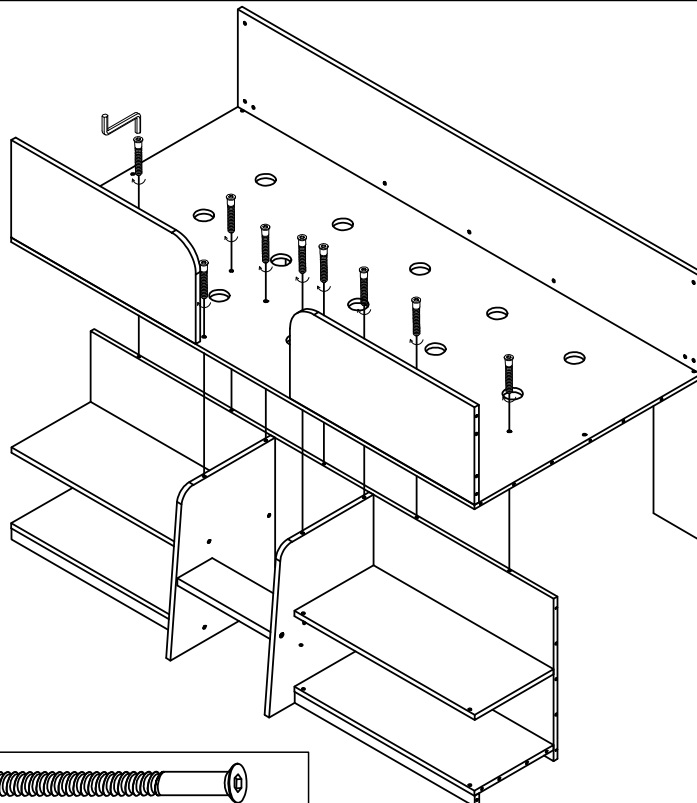
M33	N/A	2	
M5	N/A	2	
S41	Ø4 x 16mm	4	  not supplied
B7	Ø7.5 x 35mm	2	  not supplied


9



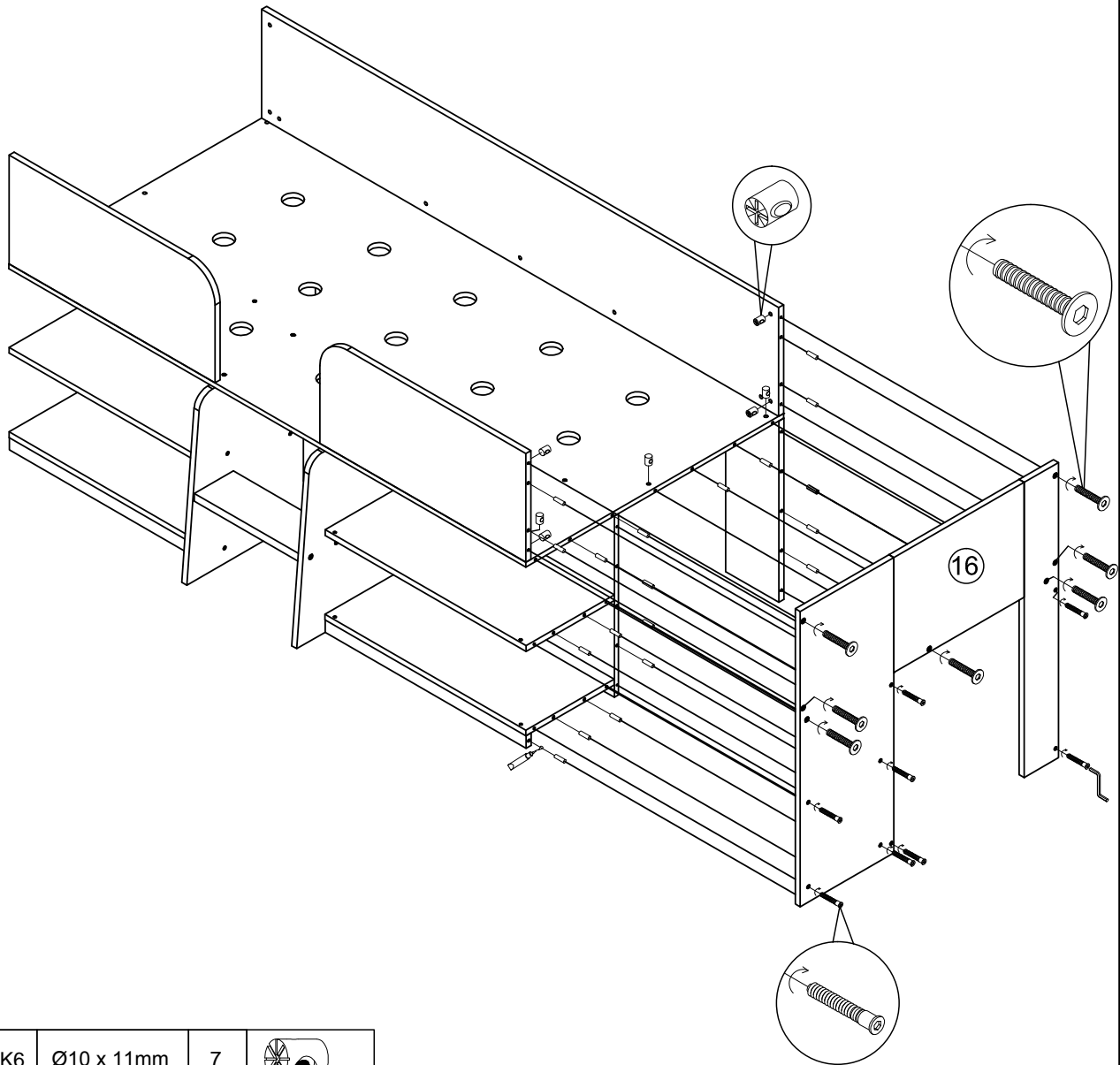
B4	Ø15 x 12mm	2	 PH2 not supplied
D6	8 x 30mm	4	 not supplied

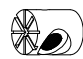
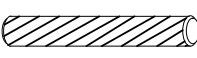



10



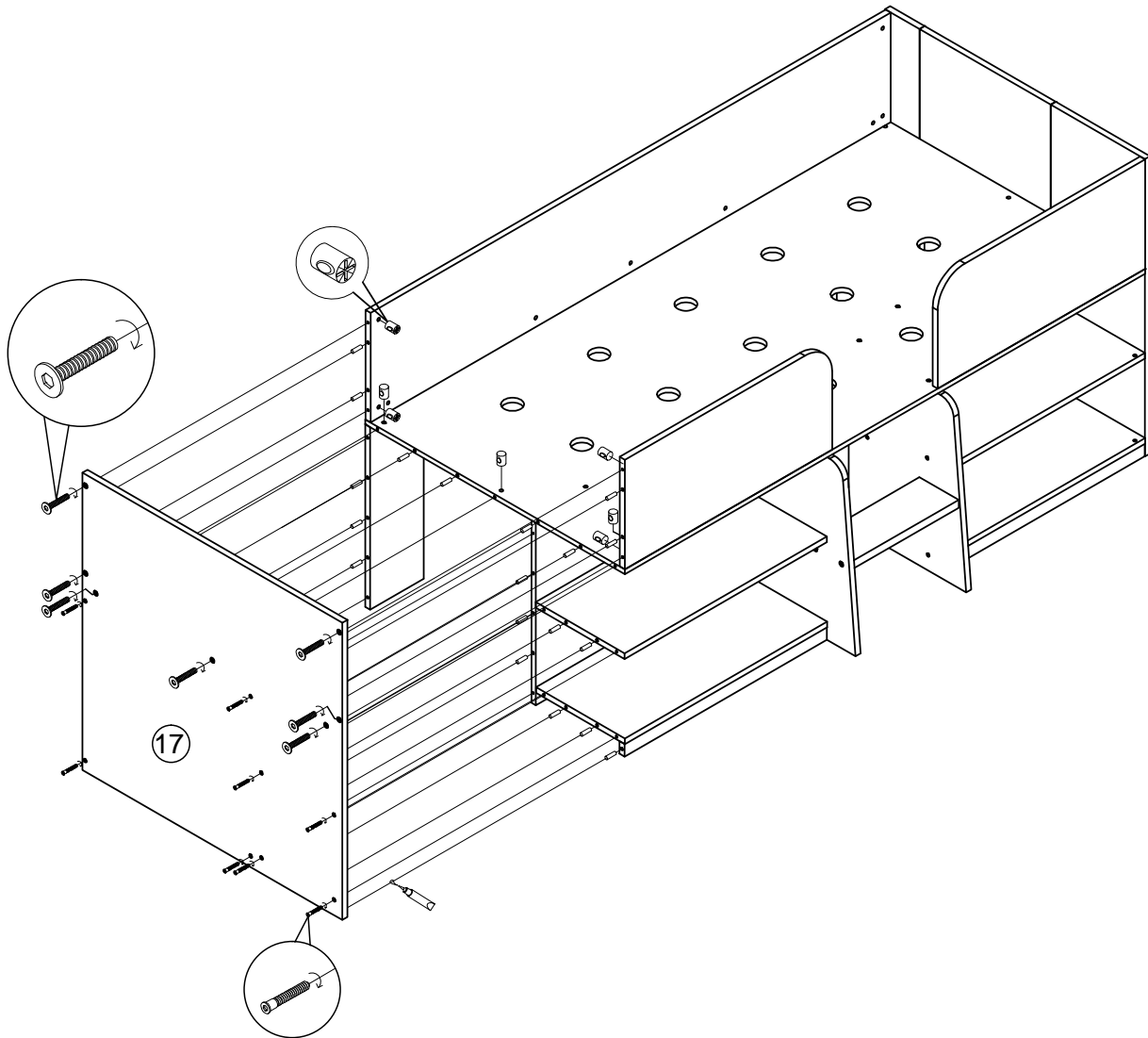
Y8	Ø6 x 50mm	9	
----	-----------	---	---


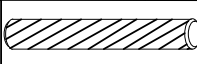

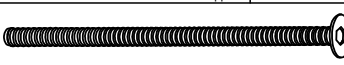
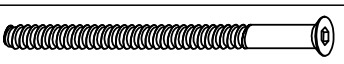
11



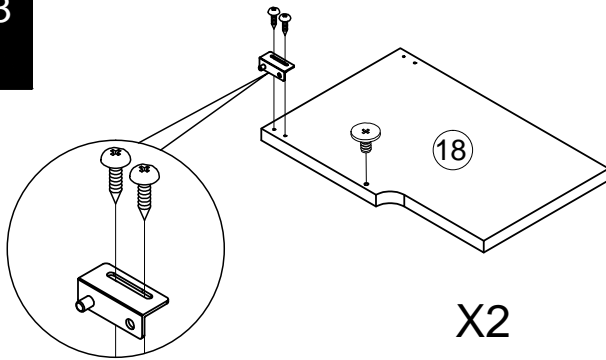
K6	Ø10 x 11mm	7	
D6	8 x 30mm	19	  not supplied
V77	Ø6 x 50mm	7	
Y8	Ø6 x 50mm	8	

12

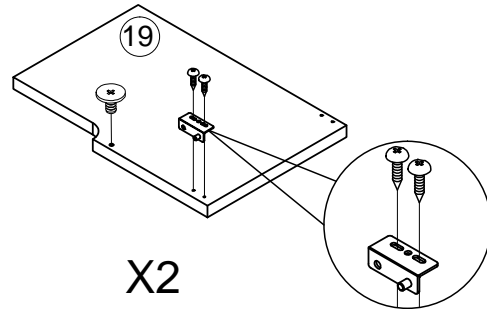


K6	Ø10 x 11mm	7	
D6	8 x 30mm	19	  not supplied
V77	Ø6 x 50mm	7	
Y8	Ø6 x 50mm	8	







13

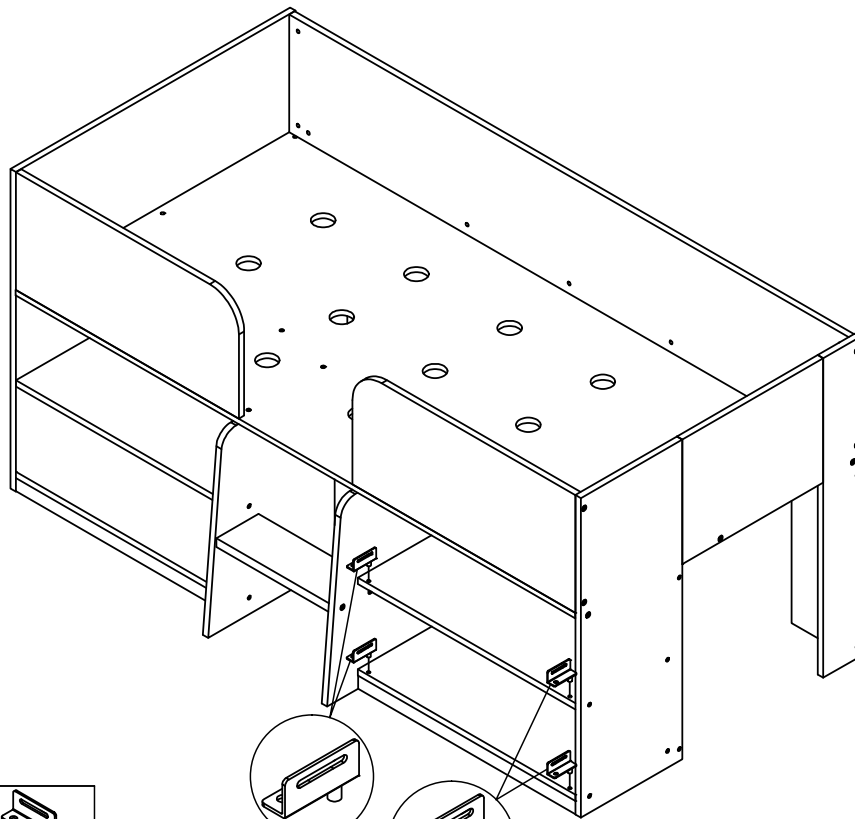




X2



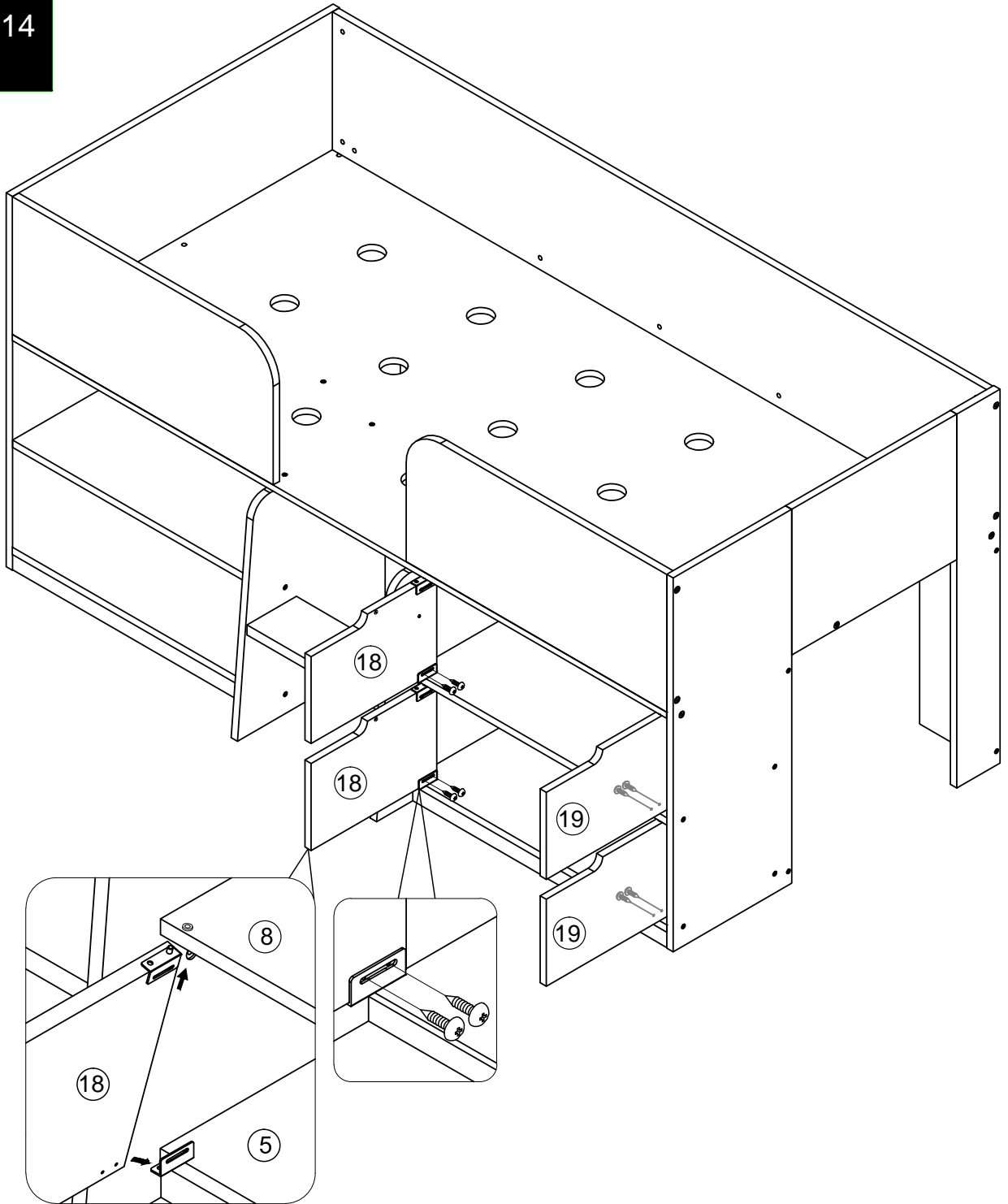
X2

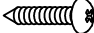

M26	N/A	4		
H1	N/A	2		
H2	N/A	2		
S41	Ø4 x 16mm	8		



H1	N/A	2	
H2	N/A	2	

14



S41	Ø4 x 16mm	8		 not supplied
-----	-----------	---	---	---

next

# COMPTON CABIN BED

362620/992128/122245

Actual product size  
H95 x W196 x D96cm

