

Instruction Manual

MIPRO

MA-101-C PERSONAL PA SYSTEM



MIPRO ELECTRONICS CO., LTD.

MIPRO Electronics Co., Ltd.

Head office: 814, Pei-Kang Road, Chiayi, 600, Taiwan.

Taipei office: 5, Lane 118, Sung-teh Road, 110, Taipei, Taiwan.

Web-http: //www.mipro.com.tw

E-mail: mipro@mipro.com.tw



2CE069

CONTENTS

PERSONAL PA SYSTEM

- ◆ PART NAMES AND FUNCTIONS----- 1,2
- ◆ OPERATING INSTRUCTIONS----- 3
- ◆ REPLACING THE MA-101 BATTERY----- 4
- ◆ SYSTEMS AND SPECIFICATIONS----- 5

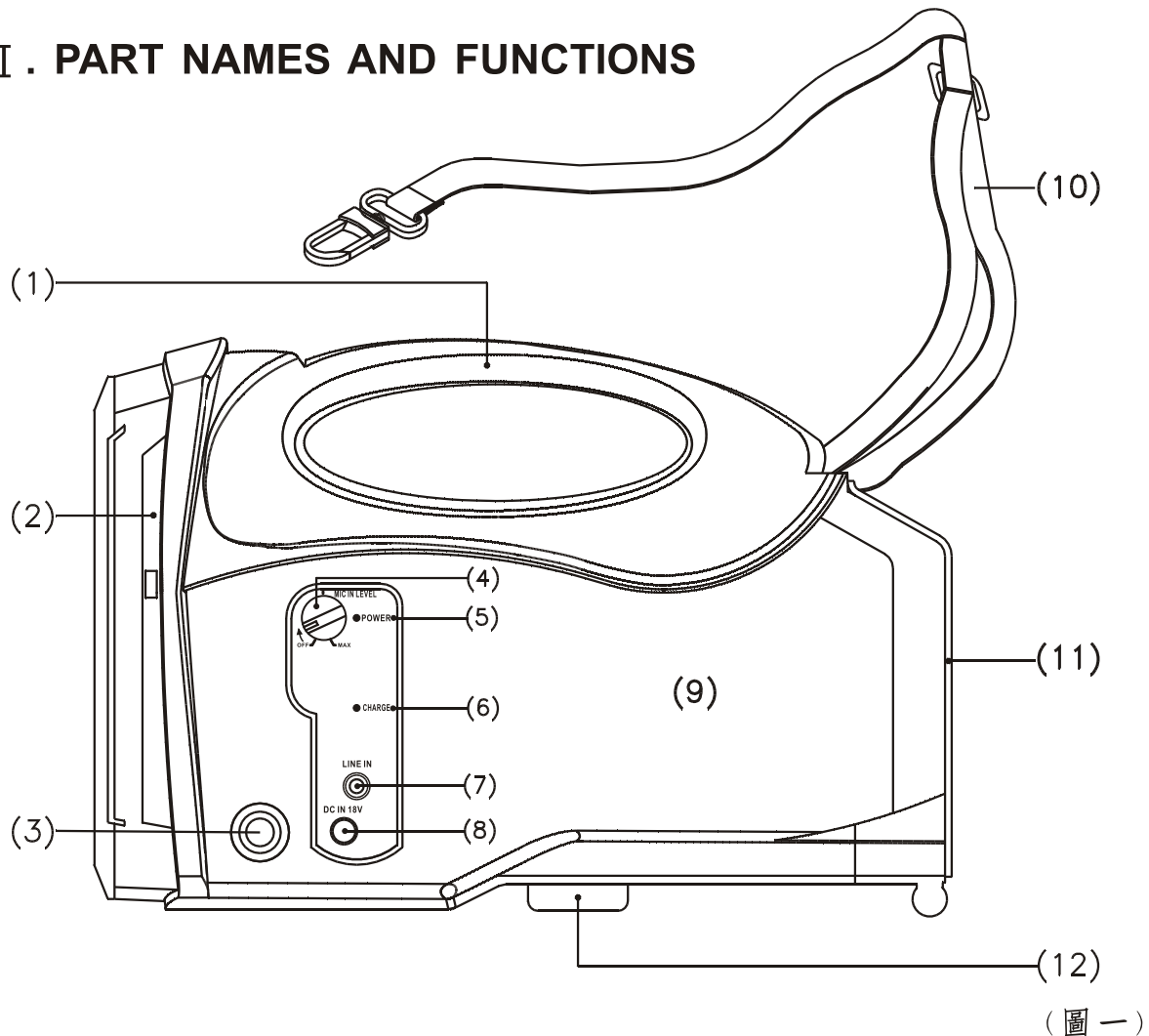
MICROPHONE

- ◆ FEATURES----- 6
- ◆ SPECIFICATIONS----- 6
- ◆ FREQUENCY RESPONSE----- 7

PERSONAL PA SYSTEM

Many thanks for your purchasing the **MIPRO's** multi-purpose PA system. Before using, carefully read this manual in order to understand the correct operating methods and achieve the best result.

I . PART NAMES AND FUNCTIONS



- (1) Fixed Handle: For convenient carrying by hand.
- (2) Speaker: Sound projects in the direction it is pointed.
- (3) Mic In Jack: Accepts a 6.3mm plug wired microphone.
- (4) Power Switch/Volume Control: Turn clockwise past the click for power on and volume control for the wireless microphone.

- (5) Power Indicator: Red light illuminates when power is turned on to denote normal power status.
- (6) Charging Indicator:
 - ① Red light indicates the battery is weak and needs charging. Charging takes minimum 4 hours.
 - ② Green blinking light indicates charging is in progress.
 - ③ Solid green light indicates the battery is fully charged.
 - ④ This system is equipped with auto cut-off charger. When battery is weak (red light), power will cut-off automatically to avoid any damages that could cause by power over-drain.
- (7) Auxiliary Input Jack: Uses 3.5mm "minijack" plug. Accepts external audio inputs, such as portable cassette and CD players.
- (8) DC Power Input Jack: Plug into DC charger (supplied) for battery charging. The inner conductor is positive and should be connected to 18VDC 10%, +2.5A.
- (9) Body: Houses all electronic components.
- (10) Shoulder Carry Belt: May be stored inside the Battery Compartment.
- (11) Battery Compartment: The rechargeable battery is located behind the battery compartment door.
- (12) Microphone Stand Mount: For convenient mounting on a standard 35mm threaded microphone stand.

II. OPERATING INSTRUCTIONS

- (1) Personal PA System and wire microphone use :
 - a) Plug the 6.3mm connector into Mic-in jack (3) and connect XLR Jack into the wired mic. Turn switch/volume knob(4) clockwise to the right. when LED(5) indicator light is red, then the unit is on.
 - b) Power on wire transmitter.
 - c) Adjust volume level (4) clockwise to desired loudness.

II. OPERATING INSTRUCTIONS

(2) Battery Charging Procedures:

- a) Please make sure the inbuilt rechargeable batteries are fully charged before and after use. Battery itself has such a special characteristic of self-discharging gradually over a long period of time. Therefore, if the system will not be used for a long period of time, please make sure the batteries are fully charged before storing them properly. Company Warranty DOES NOT apply to over-discharged batteries, hence, please ensure the batteries are recharged every 3 months.
- b) Simply plug the connector of the supplied DC adapter to the DC 18V Power Input Jack (8) and plug the other end into an available AC socket.
- c) Charging begins immediately, and will be indicated by a flashing green LED. If the green LED is not flashing, it may be due to excessive power over-drain and it takes longer for the green LED to flash. This is normal and not faulty. If after a while and still no flashing green LED, the battery may be faulty.
- d) If a battery replacement is needed, open the battery compartment and exchange with a new battery. Insert the battery with the right polarity.
- e) Battery is an expendable item. Under normal operation, MIPRO offers one year limited warranty.
- f) When experiencing short operating time after batteries are fully charged, it is often a sign with aging batteries. Both rechargeable batteries must be replaced at your earliest convenience.

(3) Auxiliary In

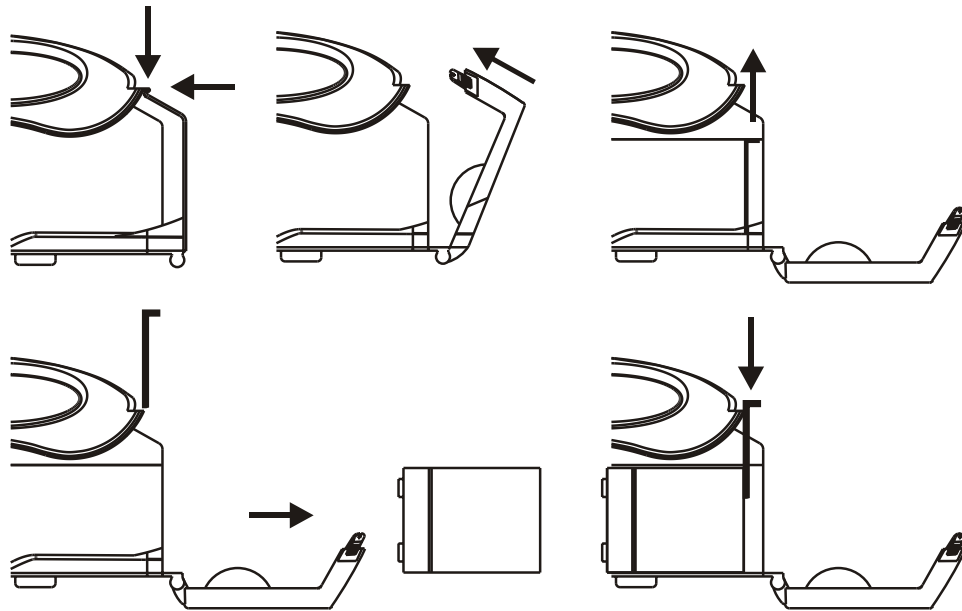
- a) Connect a line-level source, such as portable cassette or CD player into the Aux input jack(7).
- b) Power on PA system (4) and adjust for volume loudness.

(4) Installation

- a) Hand Carrying: Remove the shoulder belt (10) and store in the Battery Compartment (11) directly above the battery. Use the Fixed Handle for transport.
- b) Shoulder Carrying: Remove shoulder belt (10) from the Battery Compartment (11) and hook the connector around the rod on top of the unit, between the Fixed Handle and the Speaker.
- c) Mic Stand Mounting: The MA-101 will fit directly on top of a mic stand using the threaded mount(12) with no additional hardware. Simply align the hold with the protruding end of the mic stand and thread it on the stand.

III. REPLACING THE MA-101-C BATTERY

With proper care and charging, it is unlikely that it will be necessary to replace the MA-101 battery. However, there is an access panel provided for this purpose. If extended periods of use are required without time to recharge the battery, you may wish to have a second battery fully charged and ready to install and use once the existing one is drained. The battery is a standard 12V/2.7A gel cell and is available from MIPRO.



1. Lay the PA system on a flat surface.
2. Press down on the two fasteners at the top of battery compartment. The compartment door will now swing down on its hinge.
3. Remove the interior rear panel of the battery compartment by sliding it up. Use caution, as the battery may "spring" forward when you release this panel. Carefully remove the battery.
4. Insert a fully charged battery, observed the correct polarity. The two terminals on the battery should be near the top of the battery with the printed side up. This alignment corresponds with the springs and terminals inside the unit.
5. Press the battery into the unit, holding it firmly against the springs, while sliding the rear panel back into space. This may require two hands.
6. Close the battery compartment door. Lift up on the two fasteners until they "click" into place.

IV. SPECIFICATIONS:

Spec \ Model	MA-101-C
Power Output	27 W (RMS) / 4 WΩ (load)
T.H.D.	<1 %
Audio Input	Line-in socket
Speaker	Built-in 5 inch high sensitivity Full range speaker
Power Supply	12/2.7AH rechargeable battery and intelligent charger with 90~260V AC adapter
Charging Time	4 hours (Automatic rechargeable battery management)
Operating Time	8 hours talk time
Dimension(m/m) (inch)	285(L) x 160(W), 178(H) 11.2(L) x 6.3(W) x 7.0(H)
Weight	2.95 Kgs / 6.5 lbs. (with battery)
Exterior Colors	Black
Patent	Patented

HANDHELD DYNAMIC MICROPHONE

MIPRO MM-101 is a handheld microphone designed specially for the PA system. It is equipped with a premium MIPRO dynamic microphone capsule. Featuring high sensitivity, wide dynamic range and smooth frequency response which brings accuracy, clear and warmth in vocal reproduction.

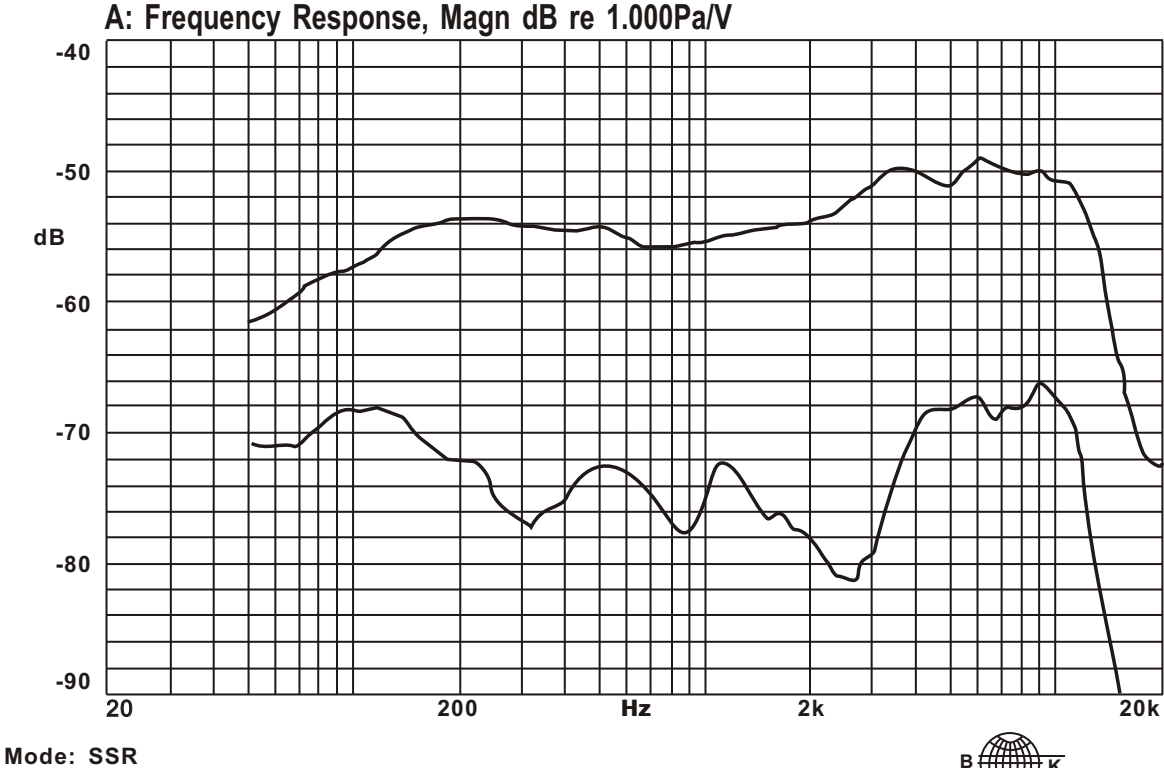
FEATURES:

1. Uniform cardioid pickup pattern isolates the main sound source and minimizes background noise. Its precise polar pattern permits outstanding gain-before-feedback.
2. Smooth frequency response brings natural vocal reproduction.

SPECIFICATION:

1. Capsule Type : Dynamic Microphone
2. Frequency Response : 50 to 18,000Hz (see Figure 1)
3. Sensitivity : Open Circuit Voltage : -52dBV/Pa (0dB=1V)
4. Self-Noise : 25dB typical. A-weighting
5. Maximum SPL : ≥ 148 dB
6. Dynamic Range : ≥ 126 dB
7. Signal-to-Noise Ratio : ≥ 69 dB at 94dB SPL (1Pa)
8. Net weights : 165gs

MIPRO MM-101 FREQUENCY RESPONSE:



(Figure 1)

