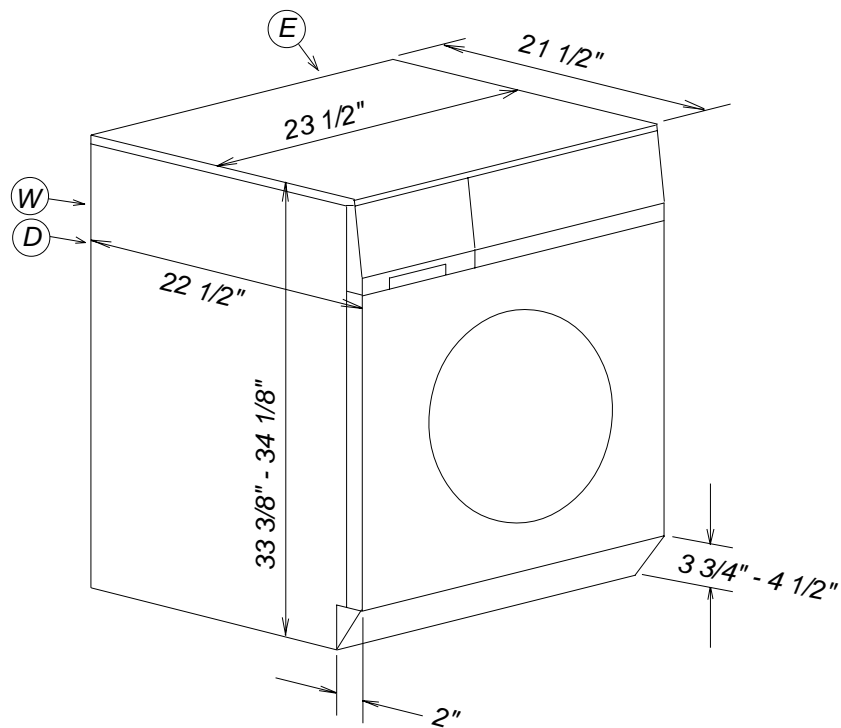


Product Dimensions

Large Capacity Washing Machine

Angled control

W3033 / W3035



Location Codes

- D - 5 foot flexible drain hose connects upper left rear.*
- E - 120 Volt, 15 Amp 5 foot molded plug power supply connects upper left rear (NEMA 5-15 Configuration).*
- W - 5 foot separate flexible hot and cold water intake hoses connect upper left rear.*

Notes

- All installations must be done in accordance with local codes**
- See "Cut-out Dimensions" sheet for undercounter or built-in space requirements
- Remove transport struts in rear of machine before installation.**

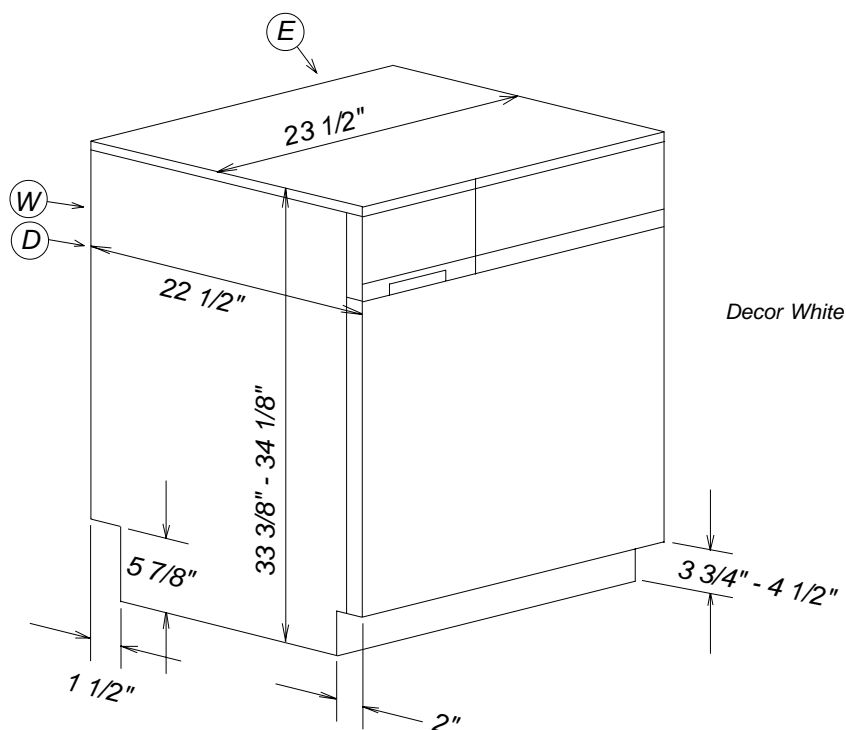
NOTE: Drawing is not to scale.
SPECIFICATION SHEETS 010107

Product Dimensions

Large Capacity Washing Machines

Flat controls - Decor Unit

W3039



Location Codes

- D - 5 foot flexible drain hose connects upper left rear.*
- E - 120 Volt, 15 Amp 5 foot molded plug power supply connects upper left rear (NEMA 5-15 Configuration).*
- W - 5 foot separate flexible hot and cold water intake hoses connect upper left rear.*

Notes

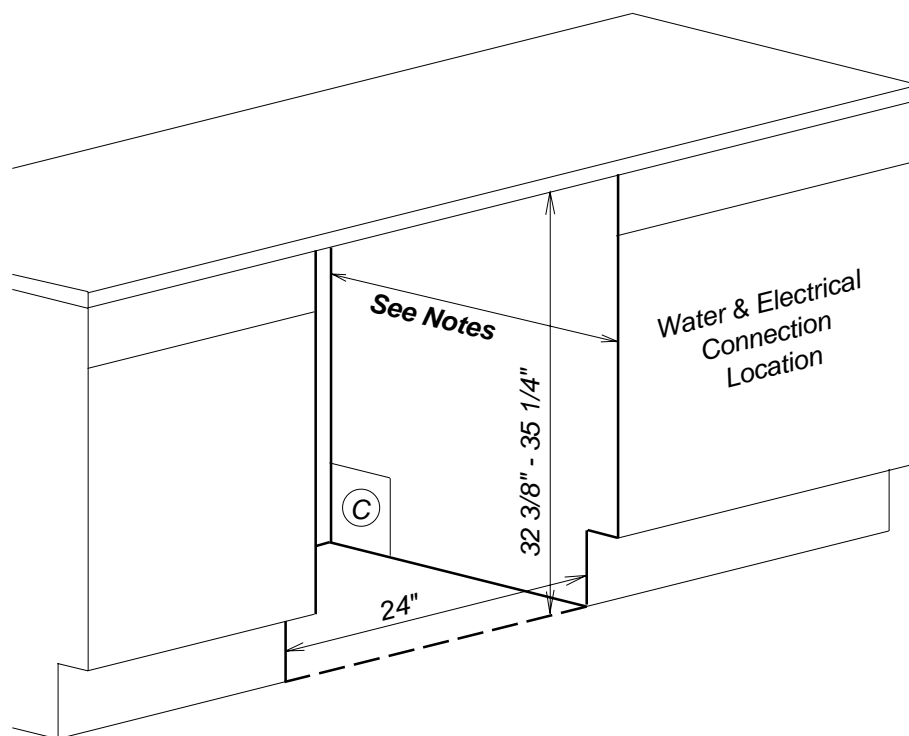
- All installations must be done in accordance with local codes**
- See "Cut-out Dimensions" sheet for undercounter or built-in space requirements**
- Remove transport struts in rear of machine before installation.**

NOTE: Drawing is not to scale.
SPECIFICATION SHEETS 010107

Cut-out Dimensions

Built-in Installations

Large Capacity Laundry Products



Location Codes
C - Cutout for Electric and Vent or Drain pass-through. Adjust according to duct or drain location.

Notes
<ul style="list-style-type: none"> Typically requires removal of unit's lid. Out of box unit height dimension without lid is 32 5/16" - 32 11/16".

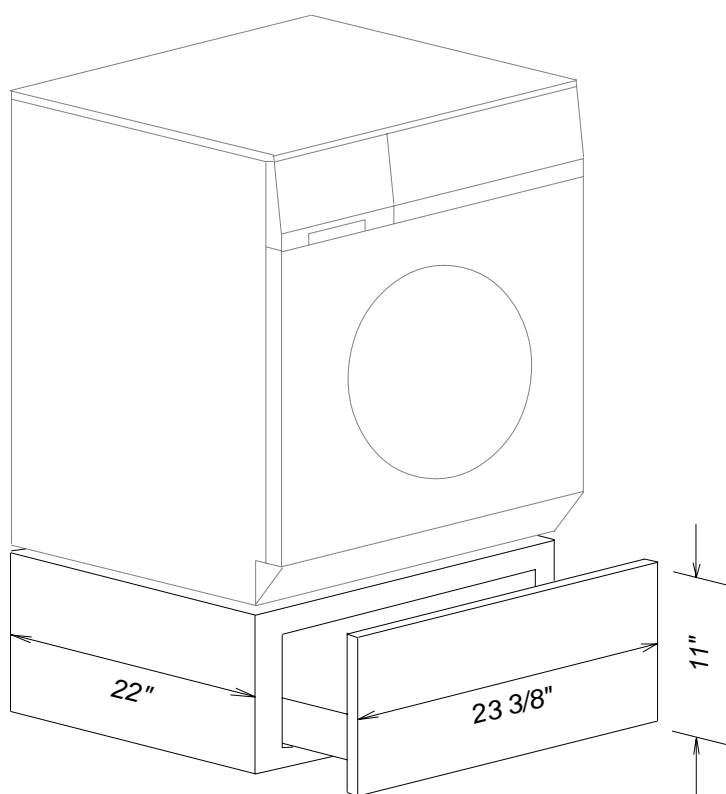
NOTE: Drawing is not to scale.
SPECIFICATION SHEETS 010107

Product Dimensions

Laundry Stand

WTS420 - White Only

Miele



Notes

- *For use with both large and super capacity washers or tumble dryers.*
- *All installations must be done in accordance with local codes*

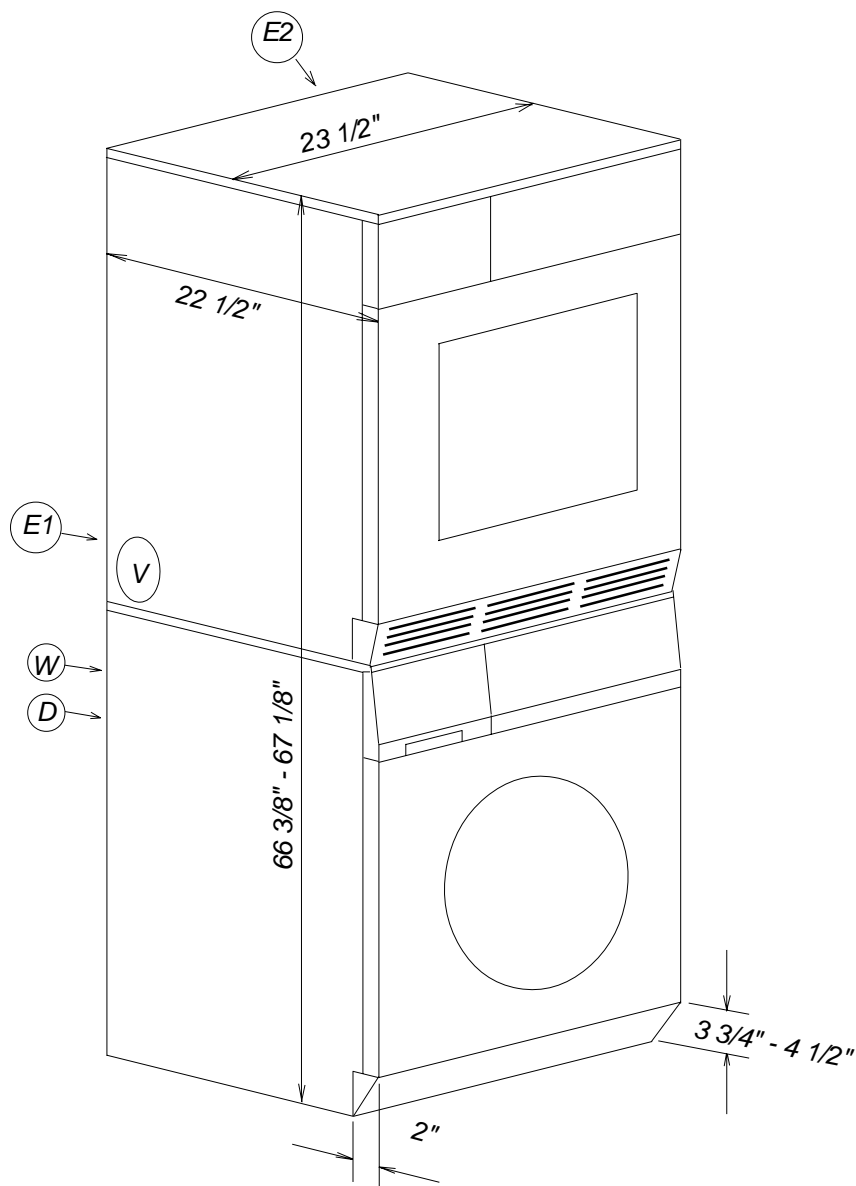
NOTE: Drawing is not to scale.
SPECIFICATION SHEETS 010107

Product Dimensions

Stacked Washer & Dryer

Example Combination

W3033 + T8002



Location Codes	
D -	5 foot flexible drain hose connects upper left rear.
E1 -	120 Volt, 15 Amp 5 foot molded plug power supply connects upper left rear (NEMA 5-15 Configuration).
E2 -	208/240 Volt, 30 Amp 5 foot molded plug power supply connects upper right rear (NEMA 14-30 Configuration).
W -	5 foot separate flexible hot and cold water intake hoses connect upper left rear.

Notes
<ul style="list-style-type: none"> • All installations must be done in accordance with local codes • See "Cut-out Dimensions" sheet for undercounter or built-in space requirements • Remove transport struts in rear of machine before installation.

NOTE: Drawing is not to scale.
SPECIFICATION SHEETS 010107

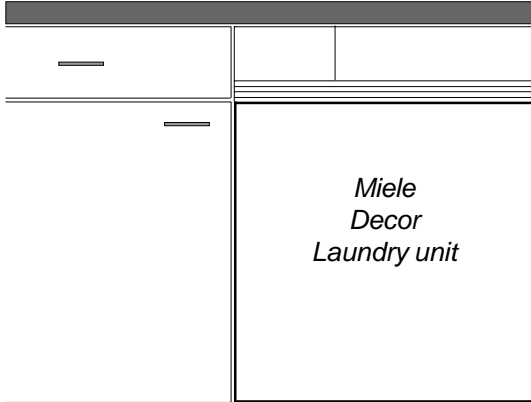
Panel Information

Integrated Laundry W3039 Decor Unit



These units come equipped with a full size white front panel. These units are also designed to either accept a thin insert or a custom front panel supplied by the custom cabinet maker.

Sizes are as follows:



Version 1 - Thin insert

Width: 23 1/4" for all machines
Thickness: up to 1/8"
Height: 25" in all cases

With this version, a thin white frame will be exposed after installation

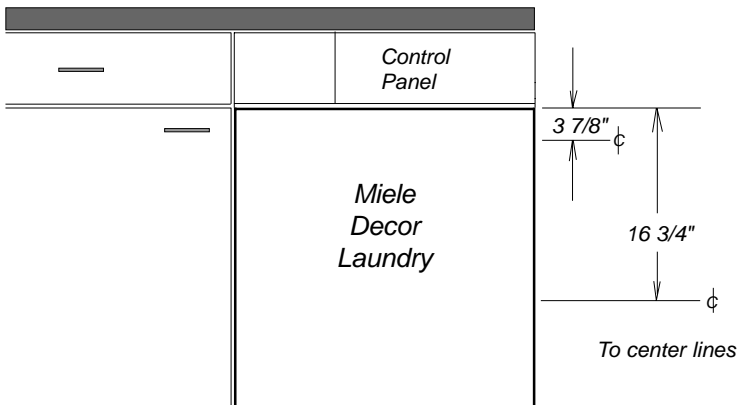
Version 2 - Custom Front Panel

Width: 23 3/8" for all machines
Thickness: up to 3/4"
Height: Up to 25"

With this version, the existing front panel is removed and replaced by the new custom panel

Hinge Notches

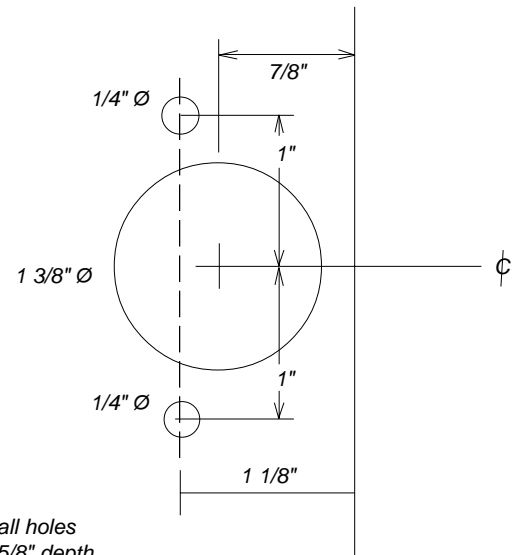
In certain installations, notches will be required to accommodate the hinges in the front panel.



Note: To insure access to customer servicable features, a minimum 4" toe kick above finished floor (AFF) is required.

Notch Pattern

For this installation, drill the following pattern in the appropriate locations.



Drill all holes to a 5/8" depth

NOTE: Drawing is not to scale.
 SPECIFICATION SHEETS 010107