

ELECTRIC PRESSURE WASHER

UPDATED USE + ASSEMBLY INSTRUCTIONS

OPERATOR'S MANUAL

Model MTS-1300PW

Form No. SJ-MTS-1300PW-880E-M

IMPORTANT!

REVISED INSTRUCTIONS FOR OPERATOR'S MANUAL PAGE 10

IMPORTANT!

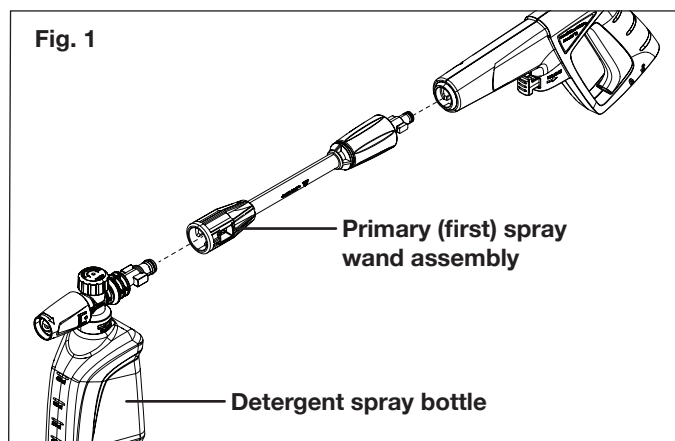
All Operators Must Read These Instructions Before Use

Please use these updated instructions for recommended use + assembly instruction. If you have additional questions, contact Snow Joe® + Sun Joe® customer service center at 1-866-SNOWJOE (1-866-766-9563).

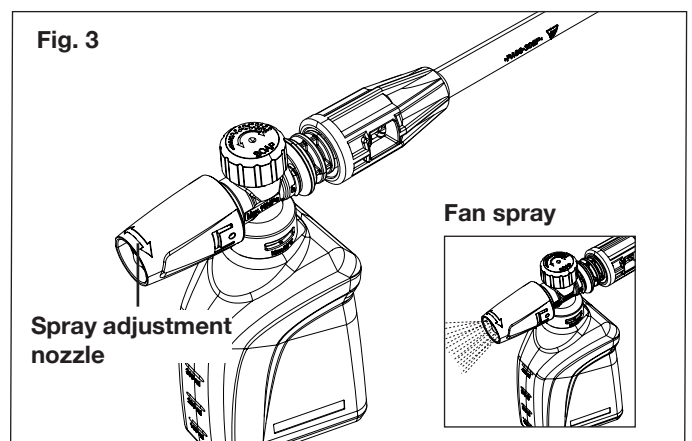
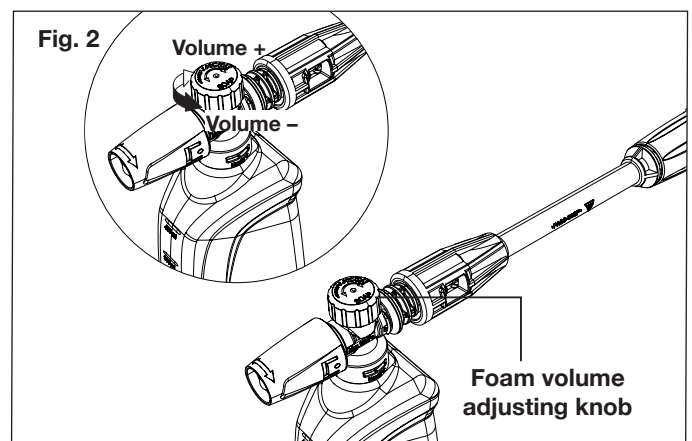
1. For additional cleaning power, the unit comes equipped with a detergent spray bottle.

CAUTION! Only use detergents specifically recommended for use with pressure washers, such as Sun Joe® HOUSE + DECK WASH (SPX-HDC1G), Sun Joe® SNOW FOAM AUTO WASH (SPX-FCS1G), or Sun Joe® HEAVY DUTY CLEANER (SPX-APC1G).

2. Load the bottle with a suitable, non-corrosive detergent and attach it to the primary (first) spray wand assembly section, as shown (Fig. 1).



NOTE: The foam spray bottle is also featured with an adjustable nozzle and a foam-volume adjustable knob. Follow the instruction as shown to use the spray bottle (Figs. 2 – 3).



3. With the nozzle tip adjusted to a low-pressure fan spray, apply detergent from the bottom to the top of the dry surface to be cleaned. Applying detergent in this manner will dissolve dirt most effectively.

NOTE: Wetting the surface first is not recommended as it dilutes the detergent and reduces its cleaning ability.

4. Allow the detergent to remain on the surface for a short time before rinsing with the pressure washer. Do not allow the detergent to dry on the surface.