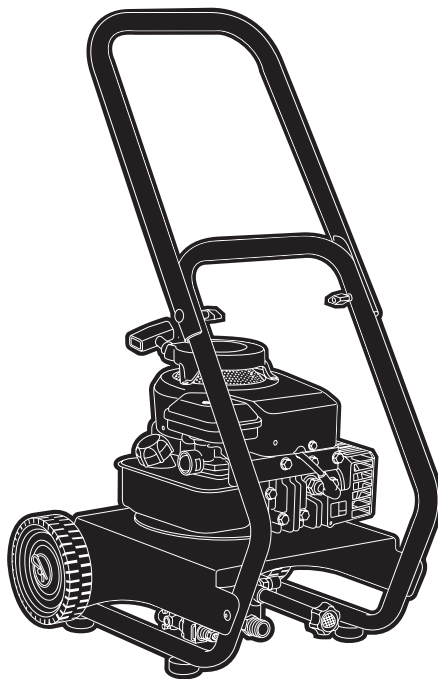


MAC 3.5PWA

Upright Pressure Washer Operator's Manual



WARNING

Before using this product, read this manual and follow all Safety Rules and Operating Instructions.

Questions? Help is just a moment away!
Call your technical helpline at **0845 300 2577**.

SAVE THESE INSTRUCTIONS

CONTENTS

I - Product Specifications	2
II - Safety Rules	2
III - Know Your Pressure Washer	5
IV - Assembly	6
V - Operation	8
VI - Maintenance	11
VII - Storage	13
VIII - Troubleshooting	14
IX - CE Declaration and Warranty	15

I - PRODUCT SPECIFICATIONS

Outlet Pressure	125 bar (1800 psi)
Flow Rate	7.5 liters per minute (2.0 gpm)
Detergent	Use detergent approved for pressure washers
Water Supply Temperature	Not to Exceed 37°C (100°F)
Automatic Cool Down System	Will cycle when water reaches 51-68°C (125°-155°F)
Measured LwA	100 dB(A)/pW
Guaranteed LwA	100 dB(A)/pW
Sound Pressure Level @ 7m	75 dB(A)
Shipping Weight	24.5 kg (54 lbs.)

Equipment Description



Read this manual carefully and become familiar with your pressure washer. Know its applications, its limitations and any hazards involved.


Thank you for purchasing this Mac Allister product. We are confident that this product will meet and exceed your expectations for quality and reliability. Please take the time to carefully read this entire manual before using your new pressure washer and take note of the safety precautions contained herein and marked on the product.

This manual contains information for a pressure washer that operates at 124 BAR at a flow rate of 450 liters per hour. This high quality residential system features 12.7 CM (5 IN) wheels, an axial cam pump with stainless steel pistons, an automatic cool down system, a chemical injection system, and an adjustable spray nozzle. Includes safety goggles, heavy duty 7.2 M (25 FT) hose, and more.

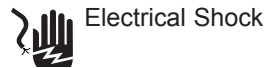
II - SAFETY RULES



This is the safety alert symbol. It is used to alert you to potential personal injury hazards. Obey all safety messages that follow this symbol to avoid possible injury or death.

The safety alert symbol () may be used with a signal word (WARNING, CAUTION), a pictorial or a safety message to alert you to hazards. **WARNING** indicates a hazard which, if not avoided, *could* result in death or serious injury. **CAUTION** indicates a hazard which, if not avoided, *might* result in minor or moderate injury. **CAUTION**, when used **without** the alert symbol, indicates a situation that could result in equipment damage. Follow safety messages to avoid the hazard or reduce the risk of injury or death.

Hazard Symbols and Meanings



Electrical Shock



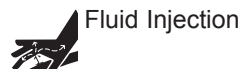
Explosion



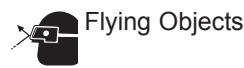
Fall



Fire



Fluid Injection



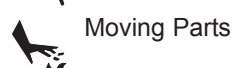
Flying Objects



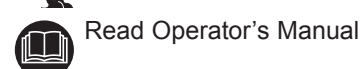
Hot Surface



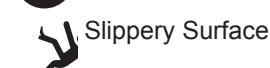
Kickback



Moving Parts



Read Operator's Manual



Slippery Surface



Toxic Fumes

WARNING

Running engine gives off carbon monoxide, an odorless, colorless, poison gas.



Breathing carbon monoxide can cause nausea, fainting or death.

Some chemicals or detergents may be harmful if inhaled or ingested, causing severe nausea, fainting or poisoning.

- Operate pressure washer ONLY outdoors.
- Keep exhaust gas from entering a confined area through windows, doors, ventilation intakes or other openings.
- Do not operate pressure washer inside any building or enclosure, even if doors or windows are open.
- Use a respirator or mask whenever there is a chance that vapors may be inhaled.
- Read all instructions with mask so you are certain the mask will provide the necessary protection against inhaling harmful vapors.



Use of pressure washer can create puddles and slippery surfaces.



High pressure spray could cause you to fall if you are too close to the cleaning surface.

- Keep spray nozzle between 20 to 60 CM (8 to 24 IN) away from cleaning surface.
- Operate this unit on a stable surface.
- The cleaning area should have adequate slopes and drainage to reduce the possibility of a fall due to slippery surfaces.
- Be extremely careful if you must use the pressure washer from a ladder, scaffolding or any other relatively unstable location.
- Firmly grasp spray gun with both hands when using high pressure spray to avoid injury when gun kicks back.



Rapid retraction of starter cord (kickback) will pull hand and arm toward engine faster than you can let go.

Broken bones, fractures, bruises or sprains could result.

- ALWAYS point gun in safe direction and squeeze spray gun trigger, to release pressure and avoid kickback each time, before starting engine. Engage trigger lock when not in use.
- When starting engine, pull cord slowly until resistance is felt and then pull rapidly to avoid kickback.
- After each starting attempt, where engine fails to run, always point gun in safe direction and squeeze spray gun trigger to release high pressure.

- Firmly grasp spray gun with both hands when using high pressure spray to avoid injury when gun kicks back.



Petrol and its vapors are extremely flammable and explosive.



Fire or explosion can cause severe burns or death.

WHEN ADDING PETROL

- Turn pressure washer OFF and let it cool at least 2 minutes before removing gas cap.
- Fill petrol tank outdoors.
- DO NOT overfill tank. Allow space for petrol expansion.
- Keep petrol away from sparks, open flames, pilot lights, heat, and other ignition sources.
- DO NOT light a cigarette or smoke.

WHEN OPERATING EQUIPMENT

- DO NOT tip engine or equipment at angle which causes petrol to spill.
- DO NOT spray flammable liquids.

WHEN TRANSPORTING OR REPAIRING EQUIPMENT

- Transport/repair with petrol tank EMPTY or with petrol shutoff valve OFF.

WHEN STORING PETROL OR EQUIPMENT WITH PETROL IN TANK

- Store away from furnaces, stoves, water heaters, clothes dryers or other appliances that have pilot light or other ignition source because they can ignite petrol vapors.



Spray contact with electrical wiring can result in electrocution.

- Keep water spray away from electric wiring or fatal electric shock may result.



Running engines produce heat. Temperature of muffler and nearby areas can reach or exceed 65°C (150°F).

Severe burns can occur on contact.



Exhaust heat/gases can ignite combustibles, structures or damage petrol tank causing a fire.

- Do not touch hot surfaces and avoid hot exhaust gases.
- Allow equipment to cool before touching.
- Keep at least 1.5 M (5 FT) clearance on all sides of pressure washer including overhead.



The high pressure stream of water that this equipment produces can pierce skin and its underlying tissues, leading to serious injury and possible amputation.

Spray gun traps high water pressure, even when engine is stopped and water is disconnected, which can cause injury.

- NEVER aim spray gun at people, animals or plants.
- DO NOT allow CHILDREN to operate pressure washer.
- NEVER repair high pressure hose. Replace it.
- NEVER repair leaking connections with sealant of any kind. Replace o-ring or seal.
- Keep high pressure hose connected to pump and spray gun while system is pressurized.
- ALWAYS point gun in safe direction and squeeze spray gun trigger, to release high pressure, every time you stop engine. Engage trigger lock when not in use.



High pressure spray can cause paint chips or other particles to become airborne.

- Always wear safety goggles when using this equipment or in vicinity of where equipment is in use.
- Before starting the pressure washer, be sure you are wearing adequate safety goggles.



Unintentional sparking can result in fire or electric shock.

WHEN ADJUSTING OR MAKING REPAIRS TO YOUR PRESSURE WASHER

- Disconnect spark plug wire from spark plug and place wire where it cannot contact spark plug.

WHEN TESTING FOR ENGINE SPARK

- Use approved spark plug tester.
- Do not check for spark with spark plug removed.



Starter and other rotating parts can entangle hands, hair, clothing, or accessories.

- DO NOT wear loose clothing, jewelry or anything that may be caught in the starter or other rotating parts.
- Tie up long hair and remove jewelry.

CAUTION



Excessively high or low operating speeds increase risk of injury and damage to pressure washer.

- DO NOT tamper with governed speed.
- DO NOT operate pressure washer above rated pressure.
A pressure washer produces a high pressure spray which increases risk of injury and damage to unit.
- DO NOT secure spray gun in open position.
- DO NOT leave spray gun unattended while machine is running.
- NEVER use a spray gun which does not have a trigger lock or trigger guard in place and in working order.
- Always be certain spray gun, nozzles and accessories are correctly attached.

CAUTION

High pressure spray may damage fragile items including glass.

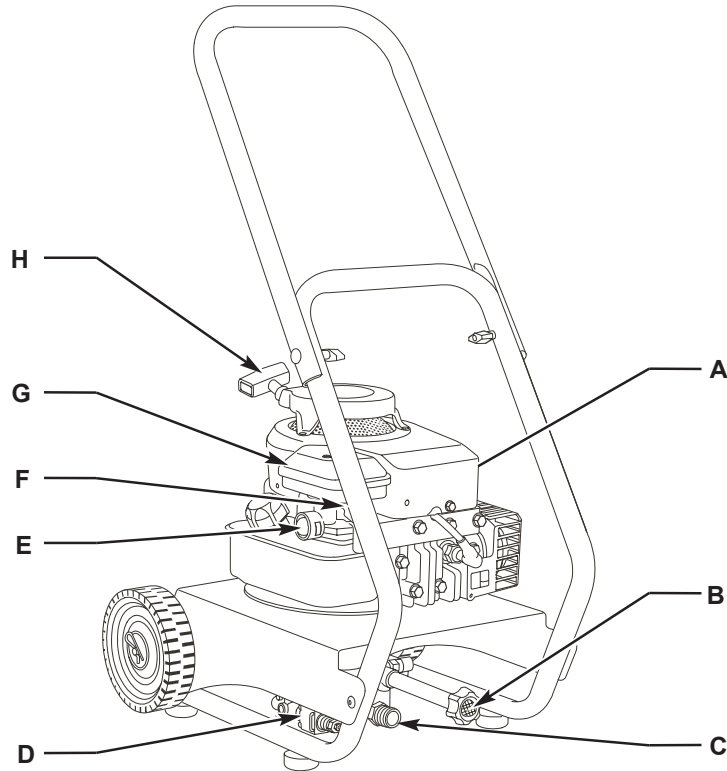
- DO NOT point spray gun at glass when in jet spray mode.
- NEVER aim spray gun at plants.
Improper treatment of pressure washer can damage it and shorten its life.
- NEVER operate units with broken or missing parts, or without protective housing or covers.
- DO NOT by-pass any safety device on this machine.
- Before starting pressure washer in cold weather, check all parts of the equipment to be sure ice has not formed there.
- NEVER move machine by pulling on hoses. Use handle provided on unit.
- Check petrol system for leaks or signs of deterioration, such as chafed or spongy hose, loose or missing clamps, or damaged tank or cap. Correct all defects before operating pressure washer.
- This equipment is designed to be used with authorized parts only. If equipment is used with parts that DO NOT comply with minimum specifications, user assumes all risks and liabilities. Call the technical helpline at 0845 300 2577 for information.

III - KNOW YOUR PRESSURE WASHER



Read this operator's manual and safety rules before operating your pressure washer.

Compare the illustrations with your pressure washer to familiarize yourself with the locations of various controls and adjustments. Save this manual for future reference.



A - Oil Fill/Dipstick — Check and fill with oil here.

B - Water Inlet — Connection for garden hose.

C - High Pressure Outlet — Connection for high pressure hose.

D - Pump — Develops high pressure. Equipped with Automatic Cool Down System.

E - Primer Bulb — Prepares a cold engine for starting.

F - Throttle Control Lever — Sets engine in starting mode for recoil starter and stops a running engine.

G - Air Filter — Protects engine by filtering dust and debris out of intake air.

H - Recoil Starter — Used for starting the engine manually.

Adjustable Nozzle (not shown) — Always attached to nozzle extension. Adjustable nozzle allows you to adjust spray pressure and spray pattern.

Automatic Cool Down System — Cycles water through pump when water reaches 52°C-68°C (125°-155°F). Warm water will discharge from pump onto ground. This system prevents internal pump damage.

Chemical Injection Siphon/Filter (not shown) — Use to siphon detergent or other pressure washer chemicals into the low pressure stream.

Data Tag (not shown, near rear of base plate) — Provides model and serial number of pressure washer. Please have these readily available if calling for assistance.

High Pressure Hose (not shown) — Connect one end to water pump and the other end to spray gun.

Spray Gun (not shown) — Controls the application of water onto cleaning surface with trigger device. Includes trigger lock.

IV - ASSEMBLY

IMPORTANT: Read entire operator's manual before you attempt to assemble or operate your new pressure washer.

Remove Pressure Washer from Carton

1. Set the carton on a rigid flat surface.
2. Remove everything from carton except pressure washer.
3. Open carton completely by slicing each corner from top to bottom. Use the flattened carton as a clean, dry assembly surface.

Carton Contents

Items in the carton include:

- Main Unit
- Handle
- High Pressure Hose
- Spray Gun
- Adjustable Nozzle Extension
- Accessory Storage Bag
- Axle
- Wheel Kit (includes the following):
 - Wheels (2)
 - Retaining Pins (2)
 - Handle Fastening Hardware Kit (includes):
 - Carriage Bolts (2)
 - Plastic Knobs (2)
- Parts Bag (includes the following):
 - Operator's Manual
 - Engine Operator's Manual
 - Safety Goggles
 - Maintenance Kit
 - Hose Fittings (2)
 - High Pressure quick connect fittings (2)

Preparing Pressure Washer for Use

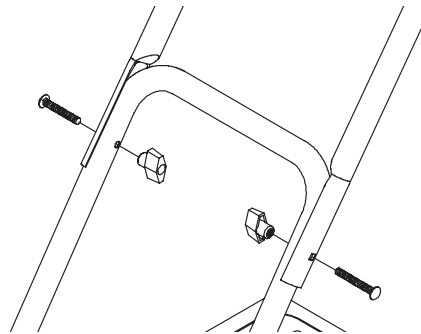
If you have any problems with the assembly of your pressure washer or if parts are missing or damaged, call the technical helpline at 0845 300 2577. If calling for assistance, please have the model, revision, and serial number from the data tag available.

To prepare your pressure washer for operation, you will need to perform these tasks:

1. Attach handle to main unit.
2. Install wheel kit.
3. Add oil to engine crankcase.
4. Add petrol to petrol tank.
5. Connect high pressure hose to spray gun and pump.
6. Connect water supply to pump.
7. Attach nozzle extension to spray gun.

Attach Handle

1. Place handle onto base. Make sure holes in handle align with holes on base. Insert carriage bolts through holes from outside of unit and attach a plastic knob from inside of unit. Tighten by hand.



Install Wheel Kit

The wheel kit is designed to greatly improve the portability of your pressure washer.

NOTE: Wheel kit is not intended for over-the-road use.

Refer to Figure 1 and install the wheel kit as follows:

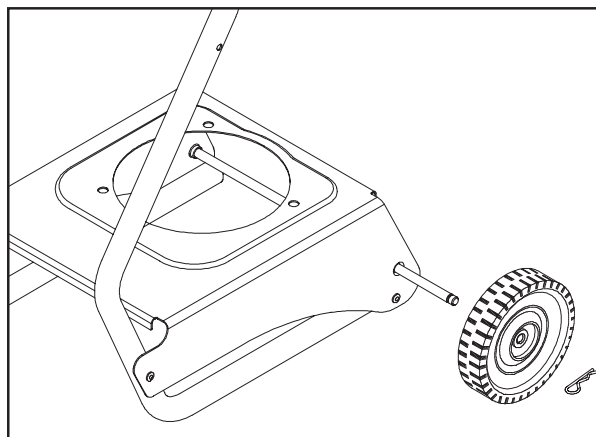


Figure 1

1. Place bottom of pressure washer frame on a flat, even surface. Temporarily place unit on blocks to ease assembly.
 2. Slide axle through holes in frame, as shown in Figure 1.
 3. Slide a wheel over the axle.
- NOTE:** Be sure to install wheel with raised hub inboard.
4. Retain wheel on axle stud with retaining pin. See Figure 1.
 5. Repeat step 3 and 4 to secure second wheel.
 6. Remove temporary blocks.

Add Engine Oil and Petrol

- Place pressure washer on a level surface.
- Damage to equipment resulting from failure to follow this instruction will void warranty.
- Refer to engine operator's manual and follow oil and petrol recommendations and instructions.

NOTE: Check oil often during engine break-in. Refer to engine operator's manual for recommendations.

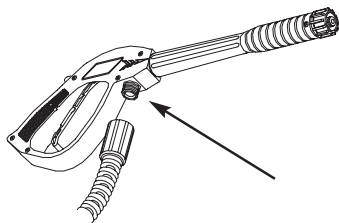
CAUTION: Any attempt to crank or start the engine before it has been properly filled with the recommended oil will result in equipment failure.

- Refer to engine manual for oil and petrol fill information.
- Damage to equipment resulting from failure to follow this instruction will void warranty.

Connect Hose and Water Supply to Pump

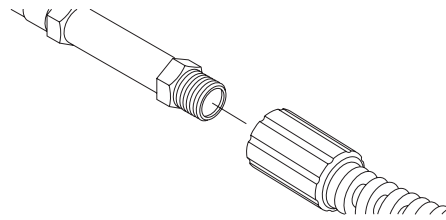
IMPORTANT: To avoid pump damage, you must assemble the nozzle extension to the spray gun and attach all hoses before you start the engine.

1. Uncoil high pressure hose and attach one end of hose to base of spray gun. Tighten by hand.



NOTE: Remove and discard all pump shipping caps before attaching hoses.

2. Attach other end of high pressure hose to high pressure outlet on pump. Tighten by hand.



3. Before connecting garden hose to water inlet, inspect inlet screen (Figure 2). Clean screen if it contains debris or have it replaced if damaged. DO NOT run pressure washer if inlet screen is damaged.

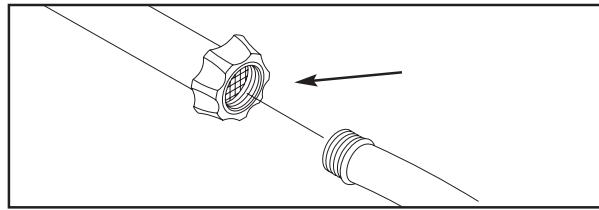


Figure 2

4. Run water through your garden hose for 30 seconds to flush out any debris.

IMPORTANT: Do Not siphon standing water for the water supply. Use ONLY cold water (less than 38°C / 100°F).

5. Connect the garden hose (not to exceed 15 M / 50 FT in length) to the water inlet. Tighten by hand (Figure 2).

CAUTION: There MUST be at least three meters of unrestricted garden hose between the pressure washer inlet and any flow shut off device, such as a 'Y' shut-off connector or other convenience-type water shut-off valve.

- Damage to equipment resulting from failure to follow this instruction will void warranty.

NOTE: This unit is equipped with a 14MM and a 20MM hose adapter. If using either adapter, obtain a suitable hose clamp to secure the hose to the adapter.

6. Turn ON water, point gun in a safe direction and squeeze trigger to purge pump system of air and impurities.

WARNING: High pressure spray can cause paint chips or other particles to become airborne.

- Always wear safety goggles when using this equipment or in vicinity of where equipment is in use.
- Before starting the pressure washer, be sure you are wearing adequate safety goggles.

Checklist Before Starting Engine

Review the unit's assembly to ensure you have performed all of the following.

1. Make sure handle is in place and secure.
2. Check that oil has been added to proper level in the engine crankcase.
3. Add proper fuel to fuel tank.
4. Check for properly tightened hose connections.
5. Check to make sure there are no kinks, cuts, or damage to high pressure hose.
6. Provide a proper water supply at an adequate flow.
7. Be sure to read "Safety Rules" and "How To Use Your Pressure Washer" before using pressure washer.

V - OPERATION

HOW TO USE YOUR PRESSURE WASHER

If you have any problems operating your pressure washer, please call the technical helpline at **0845 300 2577**.

Pressure Washer Location

Pressure Washer Clearance

WARNING: Exhaust heat/gases can ignite combustibles, structures or damage petrol tank causing a fire.

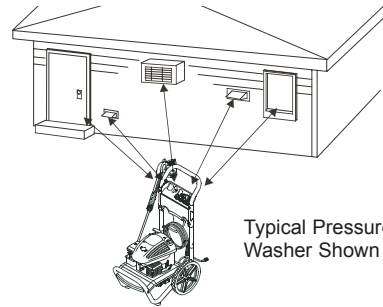
- Keep at least 150 CM (5 FT) clearance on all sides of pressure washer including overhead.

Place pressure washer outdoors. Do not place pressure washer where exhaust gas could accumulate and enter inside or be drawn into a potentially occupied building.

WARNING: Running engine gives off carbon monoxide, an odorless, colorless, poison gas.

Breathing carbon monoxide will cause nausea, fainting or death.

- Operate pressure washer ONLY outdoors.
- Keep exhaust gas from entering a confined area through windows, doors, ventilation intakes or other openings.
- Do not operate pressure washer inside any building or enclosure.

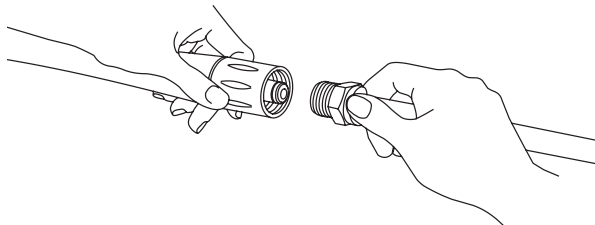


Ensure exhaust gas is kept away from any windows, doors, ventilation intakes or other openings that can allow exhaust gas to collect in a confined area. Prevailing winds and air currents should be taken into consideration when positioning pressure washer.

How to Start Your Pressure Washer

To start your pressure washer for the first time, follow these instructions step-by-step. This starting information also applies if you have let the pressure washer sit idle for at least a day.

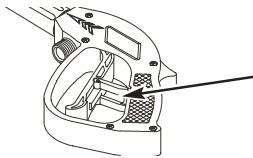
1. Place pressure washer near an outside water source capable of supplying water at a flow rate greater than 11 L (3.0 GA) per minute and no less than 1.4 BAR (20 PSI) at pressure washer end of garden hose.
2. Check that high pressure hose is tightly connected to spray gun and pump. See "Preparing Pressure Washer for Use" for illustrations.
3. Make sure unit is in a level position.
4. Connect garden hose to water inlet on pressure washer pump.
5. Turn ON water, point gun in a safe direction and squeeze trigger to purge pump system of air and impurities.
6. Attach adjustable nozzle extension to spray gun. Tighten by hand.



7. Position nozzle in low pressure mode (see "How to Use the Adjustable Nozzle") and squeeze trigger on spray gun to relieve air pressure caused by turning ON water. Water will flow out of spray gun in a thin stream.

CAUTION: DO NOT run the pump without the water supply connected and turned on.

- Damage to equipment resulting from failure to follow this instruction will void warranty.
8. Continue to hold trigger until there is a steady stream of water and no air remains in system. This will make it easier to pull start engine. Release trigger.
 9. Engage trigger lock on spray gun trigger.



10. When starting engine, position yourself as shown here and start engine according to instructions given in engine operator's manual.



Also see operating instructions tag located on the pressure washer.

WARNING: Rapid retraction of starter cord (kickback) will pull hand and arm toward engine faster than you can let go. Broken bones, fractures, bruises or sprains could result.

- ALWAYS point gun in safe direction and squeeze spray gun trigger, to release pressure and avoid kickback each time, before starting engine.
- When starting engine, pull cord slowly until resistance is felt and then pull rapidly to avoid kickback.
- After each starting attempt, where engine fails to run, always point gun in safe direction and squeeze spray gun trigger to release high pressure.
- Firmly grasp spray gun with both hands when using high pressure to avoid injury when gun kicks back.

NOTE: Always keep the throttle lever in the "Fast" position when operating the pressure washer.

WARNING: Running engines produce heat. Temperature of muffler and nearby areas can reach or exceed 65°C (150°F).

Severe burns can occur on contact.

Exhaust heat/gases can ignite combustibles, structures or damage petrol tank causing a fire.

- Do not touch hot surfaces and avoid hot exhaust gases.
- Allow equipment to cool before touching.
- Keep at least 150 CM (5 FT) clearance on all sides of pressure washer including overhead.

How to Stop Your Pressure Washer

1. Let engine idle for two minutes.
2. Turn engine off according to instructions given in engine operator's manual.
3. ALWAYS point gun in a safe direction and squeeze spray gun trigger to release retained high water pressure.

WARNING: The high pressure stream of water that this equipment produces can pierce skin and its underlying tissues, leading to serious injury and possible amputation.

Spray gun traps high water pressure, even when engine is stopped and water is disconnected, which can cause injury.

- Keep high pressure hose connected to pump and spray gun while system is pressurized.
- ALWAYS point gun in safe direction and squeeze spray gun trigger, to release high pressure, every time you stop engine. Engage trigger lock when not in use.

IMPORTANT: Spray gun traps high water pressure, even when engine is stopped and water is disconnected.

4. Engage trigger lock on spray gun when not in use.

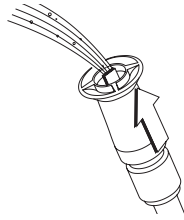
How to Use Adjustable Nozzle

You should now know how to **START** and **STOP** your pressure washer. The information in this section will tell you how to adjust the spray pattern and to apply detergent or other cleaning chemicals.

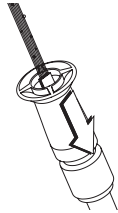
CAUTION: A pressure washer produces a high pressure spray which increases risk of injury and damage to unit.

- NEVER adjust spray pattern when spraying.
- NEVER put hands in front of nozzle to adjust spray pattern.

- Slide nozzle forward when you wish to adjust spray to low pressure mode.



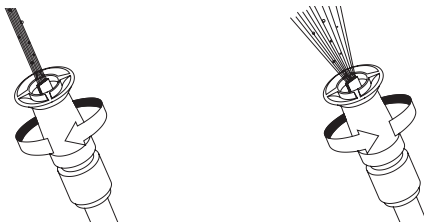
- Slide nozzle backward to achieve high pressure.



- Point nozzle down towards a firm surface and press trigger to test pattern.



- Twisting nozzle adjusts spray pattern from a narrow pattern to a fan pattern.



Usage Tips

- For most effective cleaning, keep spray nozzle from 20 to 60 CM (8 to 24 IN) away from cleaning surface.
- If you get spray nozzle too close, especially using high pressure mode, you may damage surface being cleaned.
- Do Not get closer than 15 CM (6 IN) when cleaning tires.

Applying Detergent with Adjustable Nozzle

IMPORTANT: Use soaps designed specifically for pressure washers. Household detergents could damage the pump.

CAUTION: You must attach all hoses before you start the engine.

- Starting the engine without all the hoses connected and without the water turned ON will damage the pump.
- Damage to equipment resulting from failure to follow this instruction will void warranty.

To apply detergent, follow these steps:

- Review use of adjustable nozzles.
- Prepare detergent solution as required by job.
- Place filter end of detergent siphoning tube into detergent container.

CAUTION: Keep the detergent siphoning tube from coming in contact with the hot muffler.

- When inserting the filter into a detergent solution bottle, route the tube so as to keep it from inadvertently contacting the hot muffler.
- Slide adjustable nozzle forward to low pressure mode. Detergent cannot be applied with nozzle in high pressure position.
 - Make sure garden hose is connected to water inlet. Check that high pressure hose is connected to spray gun and pump. Start engine.
 - Apply detergent to a dry surface, starting at lower portion of area to be washed and work upward, using long, even, overlapping strokes.
 - Allow detergent to "soak in" for 3-5 minutes before washing and rinsing. Reapply as needed to prevent surface from drying. DO NOT allow detergent to dry on (prevents streaking).

IMPORTANT: You must flush the chemical injection system after each use by placing the filter into a bucket of clean water, then run the pressure washer in low pressure for 1-2 minutes.

Pressure Washer Rinsing

For Rinsing:

- Slide the nozzle backward to high pressure, press the trigger and wait for the detergent to clear.

NOTE: You can also stop detergent from flowing by simply removing detergent siphoning tube from chemical container.

2. Keep the spray gun a safe distance from the area you plan to spray.

WARNING: High pressure spray could cause you to fall if you are too close to the cleaning surface.

- Keep spray nozzle between 20 to 60 CM (8 to 24 IN) away from cleaning surface.
 - Operate this unit on a stable surface.
 - Be extremely careful if you must use the pressure washer from a ladder, scaffolding or any other relatively unstable location.
 - Firmly grasp spray gun with both hands when using high pressure spray to avoid injury when gun kicks back.
3. Apply a high pressure spray to a small area, then check the surface for damage. If no damage is found, it is okay to continue cleaning.
 4. Start at the top of the area to be rinsed, working down with same overlapping strokes as you used for washing and applying detergent.

Cleaning Detergent Siphoning Tube

If you used the detergent siphoning tube, you must flush it with clean water before stopping the engine.

1. Place detergent siphoning tube filter in a bucket full of clean water.
2. Engage trigger lock on spray gun.
3. Slide adjustable nozzle forward to low pressure position.
4. Flush for 1-2 minutes.
5. Shut off engine.
6. ALWAYS point gun in a safe direction and squeeze spray gun trigger to release retained high water pressure.

IMPORTANT: Simply shutting off the engine will not release pressure in the pump/hose/spray gun. **After the engine has stopped, squeeze spray gun trigger to relieve pressure trapped in the system.**

Automatic Cool Down System (Thermal Relief)

If you run the engine on your pressure washer for 3-5 minutes without pressing the trigger on the spray gun, circulating water in the pump can reach temperatures above 52°C (125°F). The system engages to cool the pump by **discharging the warm water onto the ground.**

VI - MAINTENANCE

The pressure washer warranty does not cover items that have been subjected to operator abuse or negligence. To receive full value from the warranty, the operator must maintain the pressure washer as instructed in this manual.

NOTE: Should you have questions about replacing components on your pressure washer, please the technical helpline at **0845 300 2577**.

- Some adjustments will need to be made periodically to properly maintain your pressure washer.
- All maintenance in this manual and the engine owner's manual should be made at least once each season.
- Once a year you should check the spray gun and adjustable nozzle extension assembly for wear. Also clean or replace the spark plug and clean or replace the engine air filter. Please refer to engine operator's manual for more details.

Before Each Use

1. Check engine oil level.
2. Check water inlet screen for damage.
3. Check in-line filter for damage.
4. Check high pressure hose for leaks.
5. Check detergent siphoning tube and filter for damage.
6. Check spray gun and adjustable nozzle extension assembly for leaks.
7. Rinse out garden hose to flush out debris.

PRESSURE WASHER MAINTENANCE

Check and Clean Inlet Screen

Examine the screen on the water inlet. Clean it if the screen is clogged or replace it if screen is damaged.

Check High Pressure Hose

The high pressure hose can develop leaks from wear, kinking, or abuse. Inspect the hose each time before using it.

WARNING: The high pressure stream of water that this equipment produces can pierce skin and its underlying tissues, leading to serious injury and possible amputation.

- NEVER repair high pressure hose. Replace it.
- Replacement hose rating MUST exceed maximum pressure rating of unit.

Check for cuts, leaks, abrasions or bulging of cover, damage or movement of couplings. If any of these conditions exist, replace the hose immediately.

Check Detergent Siphoning Tube

Examine the filter on the detergent tube and clean if clogged. The tube should fit tightly on the barbed fitting. Examine the tube for leaks or tears. Replace the filter or tube if either is damaged.

Check Gun and Adjustable Nozzle Extension

Examine the hose connection to the spray gun and make sure it is secure. Test the trigger by pressing it and making sure it “springs back” into place when you release it. Put the trigger lock in the ON position and test the trigger. You should not be able to press the trigger.

Check In-Line Filter

Refer to Figure 3 and service the in-line filter if it becomes clogged, as follows:

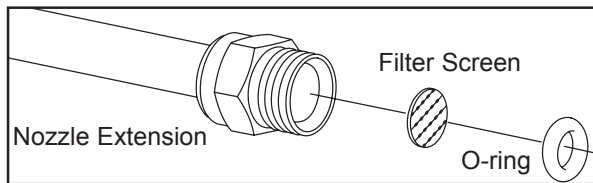


Figure 3

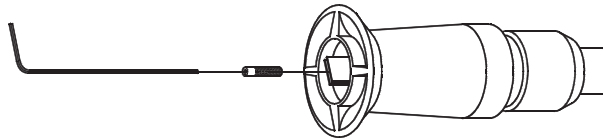
1. Detach spray gun and nozzle extension from high pressure hose. Detach nozzle extension from spray gun and remove o-ring and screen from nozzle extension. Flush screen, spray gun, and nozzle extension with clean water to clear debris.
2. If screen is damaged, o-ring kit contains a replacement in-line filter screen and o-ring. If undamaged, reuse screen.
3. Place in-line filter screen into threaded end of nozzle extension. Direction does not matter. Push screen in with eraser end of pencil until it rests flat at bottom of opening. Take care to not bend screen.

4. Place o-ring into threaded end of nozzle extension. Push o-ring snugly against in-line filter screen.
5. Assemble nozzle extension to spray gun, as described earlier in this manual.

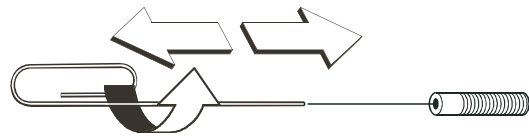
Nozzle Maintenance

A pulsing sensation felt while squeezing the spray gun trigger may be caused by excessive pump pressure. The principal cause of excessive pump pressure is a orifice clogged or restricted with foreign materials, such as dirt, etc. To correct the problem, immediately clean the orifice using the tools included with your pressure washer and follow these instructions:

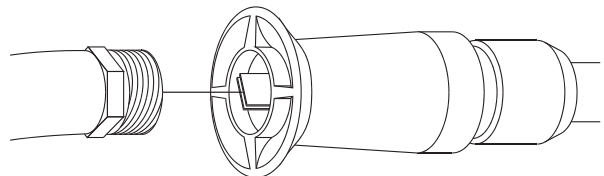
1. Shut off engine and turn off water supply.
2. Detach nozzle extension from spray gun. Twist nozzle clockwise to stream position. Using 2mm (5/64) allen wrench, remove orifice from end of nozzle extension.



3. Remove in-line filter from other end of nozzle extension.
4. Use wire (or small paper clip) to free any foreign material clogging or restricting orifice.



5. Using garden hose, remove additional debris by back flushing water through nozzle extension. Back flush between 30 to 60 seconds. Turn adjustable nozzle extension to stream spray and move nozzle from low to high while flushing.



6. Reinstall orifice and in-line filter into nozzle extension. Do Not overtighten orifice with allen wrench.
7. Reconnect nozzle extension to spray gun.
8. Reconnect water supply, turn on water, and start engine.
9. Test pressure washer by operating with nozzle in high and low positions.

O-Ring Maintenance

Through the normal operation of your pressure washer, o-rings are used to keep the connections of the hoses and spray gun tight and leak-free. These o-rings may become worn or damaged.

An O-Ring Maintenance Kit is provided with your pressure washer which includes replacement o-rings, rubber washer and water inlet filter. Refer to the instruction sheet provided in the kit to service your unit's o-rings. Note that you will not use all of the parts in the kit.

To remove a worn or damaged o-ring; use a small flathead screwdriver to get underneath the o-ring and pry it off.

WARNING: The high pressure stream of water that this equipment produces can pierce skin and its underlying tissues, leading to serious injury and possible amputation.

- NEVER repair leaking connections with sealant of any kind. Replace o-ring or seal.

Pump Maintenance

This model does not require any pump maintenance. The pump is pre-lubricated and sealed, requiring no additional lubrication for the life of the pump.

Engine Maintenance

See the engine operator's manual for instructions on how to properly maintain the engine.

CAUTION: Avoid prolonged or repeated skin contact with used motor oil.

- Used motor oil has been shown to cause skin cancer in certain laboratory animals.
- Thoroughly wash exposed areas with soap and water.



KEEP OUT OF REACH OF CHILDREN.
DON'T POLLUTE. CONSERVE
RESOURCES. RETURN USED OIL TO
COLLECTION CENTERS.

VII - STORAGE

Preparing Unit for Storage

Water should not remain in the unit for long periods of time. Sediments or minerals can deposit on pump parts and "freeze" pump action. If you do not plan to use the pressure washer for more than 30 days, follow this procedure:

1. Flush detergent siphoning tube by placing the filter into a pail of clean water while running pressure washer in low pressure mode. Flush for one to two minutes.
2. Shut off the engine and let it cool, then remove all hoses. Disconnect spark plug wire from spark plug.
3. Empty the pump of all pumped liquids by pulling the recoil handle about 6 times. This should remove most of the liquid in the pump.
4. Draw RV antifreeze (non-alcohol) into the pump by pouring the solution into a 1 M (3 FT) section of garden hose connected to inlet adapter and pulling recoil handle twice.
If available, use PumpSaver in place of RV antifreeze and follow package instructions.
5. Store unit in a clean, dry area.

Storing the Engine

See the engine operator's manual for instructions on how to properly prepare the engine for storage.

VIII - TROUBLESHOOTING

Problem	Cause	Correction
Pump has following problems: failure to produce pressure, erratic pressure, chattering, loss of pressure, low water volume.	<ol style="list-style-type: none"> 1. Nozzle in low pressure mode. 2. Water inlet is blocked. 3. Inadequate water supply. 4. Inlet hose is kinked or leaking. 5. Clogged inlet hose strainer. 6. Water supply is over 37°C (100°F) 7. High pressure hose is blocked or leaks. 8. Gun leaks. 9. Orifice is obstructed. 10. Pump is faulty. 	<ol style="list-style-type: none"> 1. Pull nozzle backward for high pressure mode. 2. Clear inlet. 3. Provide adequate water flow. 4. Straighten inlet hose, patch leak. 5. Check and clean inlet hose strainer. 6. Provide cooler water supply. 7. Clear blocks in outlet hose. 8. Replace gun. 9. Clean orifice. 10. Contact local service facility.
Detergent fails to mix with spray.	<ol style="list-style-type: none"> 1. Detergent siphoning tube is not submerged. 2. Chemical filter is clogged or cracked. 3. Dirty in-line filter. 4. Nozzle is in high pressure mode. 	<ol style="list-style-type: none"> 1. Insert detergent siphoning tube into detergent. 2. Clean or replace filter/detergent siphoning tube. 3. See "Check In-Line Filter". 4. Push nozzle forward for low pressure mode.
Engine runs good at no-load but "bogs" when load is added.	Engine speed is too slow.	Move throttle control to FAST position. If engine still "bogs down", contact Mac Allister service facility.
Pressure washer stops during operation.	Out of petrol.	Fill petrol tank.

E.C DECLARATION OF CONFORMITY

Description: Portable Pressure Washer

Model: MAC3.5PWA 020271

Noise Level*:

Measured LwA: 100 dB(A)/pW

Guaranteed LwA: 100 dB(A)/pW

Sound Pressure Level @ 7 M: 75 dB(A)

The guarantor certifies that the above product meets the requirements of the European Community Law and can carry the CE mark. The above model complies with the following Directives:

98/37/EC

89/366/EEC

93/68/EEC

2001/14/EC

and related Standards:

EN ISO 14982:1998

ISO 3744:1995

BS EN 55012:2002

Mac Allister Power Tools
1 Hampshire Corporate Park, Chandlers Ford,
Eastleigh, Hants SO53 3YX, U. K.

IX - WARRANTY

1. This product has been manufactured to a high quality standard. It is guaranteed against faulty materials and workmanship for three years from purchase. Please retain your till receipt as proof of purchase.
2. If the product is found to be defective within the relevant time period, we will either replace all defective parts or, at our discretion, replace the unit free of charge with the same item or items of a greater value and/or specification.
3. This guarantee does not cover defects caused by or resulting from:
 - (a) misuse, abuse or neglect;
 - (b) trade, professional or hire use;
 - (c) repairs attempted by anyone other than our authorized repair center (call 0845 300 2577);or
 - (d) damage caused by foreign objects, substances or accident.
4. In the unlikely event that this product does develop a fault, please call the Mac Allister helpline at 0845 300 2577.
5. This guarantee is offered in addition to, and does not effect, your statutory rights, which may additionally enable you to cancel the contract. The warranty is only valid within the UK. The guarantor is MacAllister Power Tools, 1 Hampshire Corporate Park, Chandlers Ford, Eastleigh, Hants SO53 3YZ, UK.

Mac Allister is a registered trademark of B&Q P.L.C. It is used under license to Briggs & Stratton Power Products L.L.C. and is distributed by IP Cleaning SpA.

MacAllister Power Tools
1 Hampshire Corporate Park
Chandlers Ford, Eastleigh
Hants SO53 3YZ, UK
0845 300 2577
