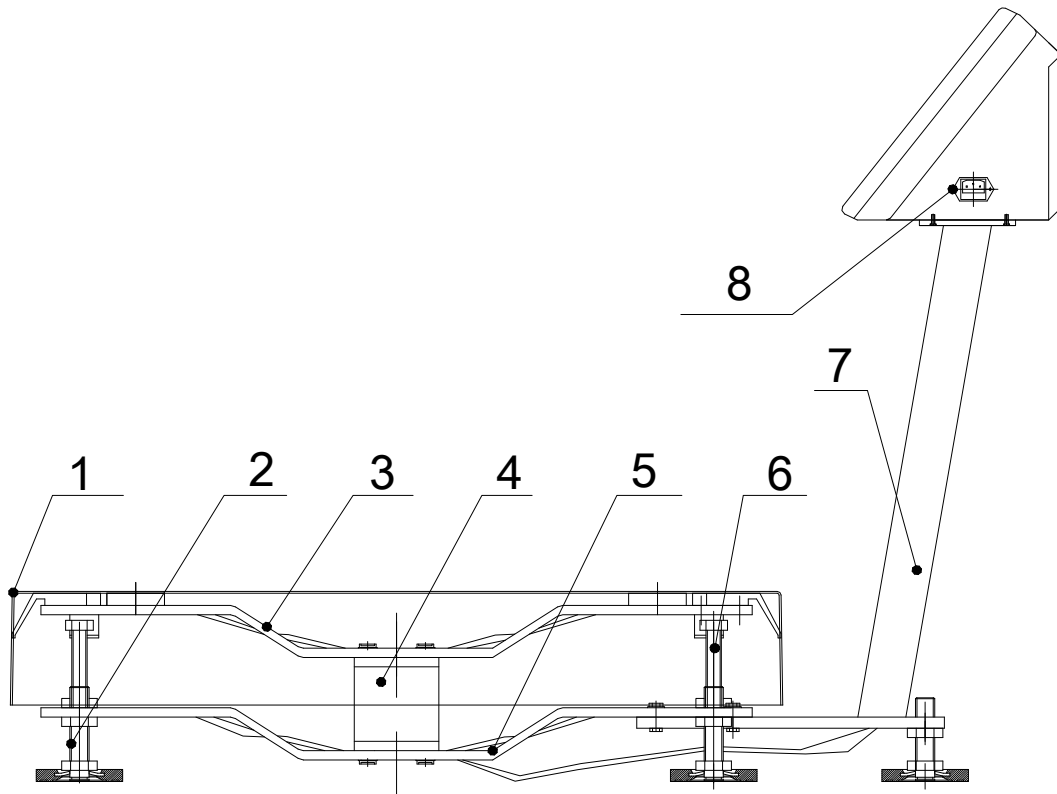


1.0 Profile

TCS Series is our company new structure bench scale with the high precision and durable features. It is equipped with high precision display and Load cell produced by our company. The pan material is stainless steel or carbon steel and it is suitable for industrial or commercial weighing. If connect with printer or computer, it can realize the computer weighing data management.

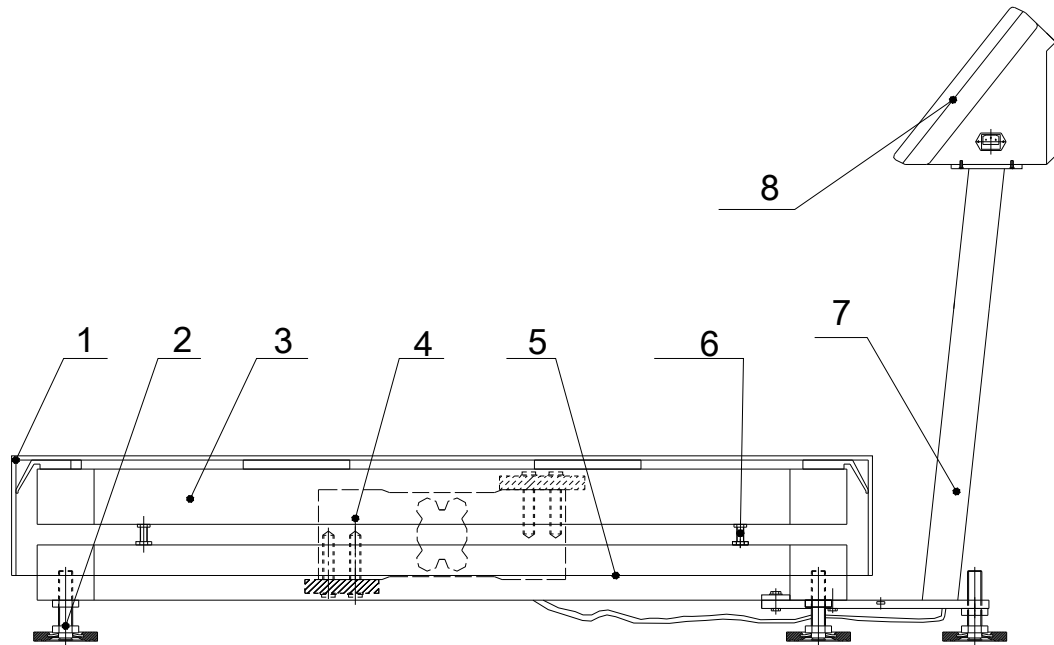
2.0 Installation and use instruction

2.1 Structure



- | | |
|----------------|-----------------------|
| 1. PAN | 5. UNDER PLATE |
| 2. FEET | 6. LIMITING BOLT |
| 3. UPPER PLATE | 7. COLUMN |
| 4. LOAD CELL | 8. WEIGHING INDICATOR |

Pic. 1 LP7610 Bench Scale Installation



- | | |
|----------------|-----------------------|
| 1. PAN | 5. UNDER PLATE |
| 2. FEET | 6. LIMITING BOLT |
| 3. UPPER PLATE | 7. COLUMN |
| 4. LOAD CELL | 8. WEIGHING INDICATOR |

Pic.2 LP7611/7612 Series Bench Scale Structure

2.2 Installation Instruction

Installation:

1. Take off the cover. Keep the bench scale stable on the floor and Adjust the 4 feet to center the Bubble
2. Adjust the 4 limiting bolt to make the distance between the upper and under plate 2-3mm
3. Use the bolt to install the column bracket under the plate. Then insert the column into the Bracket.
4. Put the load cell go through the column and bracket. And fasten the column by bolt (pls. note The bolt not on the cable) , then insert the cable plug into the connector jack according to the Indicator manual.
5. Install the indicator to the column. And put the extra cable into the column.
6. The calibration is finished before shipment.

2.3 Indicator

The TCS bench scale can match different indicator and suitable for different circumstance

1. LP7510 . XK3190-A12 indicator

Suitable for normal industrial/ commercial weighing.

2. Exploration proof indicator

Suitable for chemical industrial. Medicine. Storage etc. with exploration gas and powder circumstance.

IP Grade: Indicator is ib II CT 5

Scales is ib II CT 4

3. Main parameter

3.1 Specification

Type	Style NO.	Rated Cap. X division(kg)	Pan Size (mm)	Load cell Cap. (kg)	Column (mm)
TCS-30	LP7610-30-4050	30x0.01	400×500×100	50	400
TCS-60	LP7610-60-4050	60x0.02	400×500×100	100	600
	LP7611-60-4050		500×600×90	100	700
TCS-150	LP7610-150-4050	150x0.05	400×500×100	200	600
	LP7611-150-5060		500×600×90	200	700
TCS-300	LP7611-300-5060	300x0.1	500×600×130	500	700
	LP7612-300-6080		600×800×150	500	1000
TCS-600	LP7611-600-5060	600x0.2	500×600×130	750	700
	LP7612-600-6080		600×800×160	750	1000
TCS-1000	LP7612-1000-6080	1000x0.5	600×800×160	2000	1000

Note: S- carbon steel load-rack with stainless steel pan; SS- stainless steel load-rack and pan.

3.2 Main technical index

Accuracy class: OIML III

Scale Work temperature: -20°C~+60°C

Indicator Work temperature: -10°C~+40°C

Rated humidity : 0~95% no freeze

Max. over load: 125% F.S

3.3 Function

Indicator function and parameter: Refer to indicator manual

4.0 Packing list

Item No.	Product name	Qty	Remark
1	Scale(with load cell)	1	
2	Weighing indicator	1	
3	Column bracket	1	
4	Column	1	
5	Powder cable	1	
6	Bench scale manual	1	
7	Indicator manual	1	
8	Certification	1	
9	Accessories	1	
10	Guarantee book	1	

LIST

1.0	PROFILE	1
2.0	INSTALLATION AND USE INSTRUCTION	1
2.1	STRCTURE	1
2.2	INSTALLATION	2
2.3	INDICATOR	3
3.	MAIN TECHNICAL PARAMETER	3
3.1	SPECIFICATION	3
3.2	MAIN TECHNICAL INDEX	3
3.3	FUNCTION	4
4.0	PACKING LIST	4



CAUTION

Adjust the 4 limiting bolts to keep the distance 2-3mm before using

LOCOSC NINGBO PRECISION TECHNOLOGY CO.LTD

ADD: NO.137 Zhenyong RD. Yongjiang. Ningbo China Zip: 315021

TEL.:86-574-87233158

Fax:86-574-87233208

Website: www.locosc.com

E-mail: jay@locosc.com



(浙)制00000690号-1

**TCS (LP761X Series)
Bench Scale
Manual**

LOCOSC NINGBO PRECISION TECHNOLOGY CO.LTD

