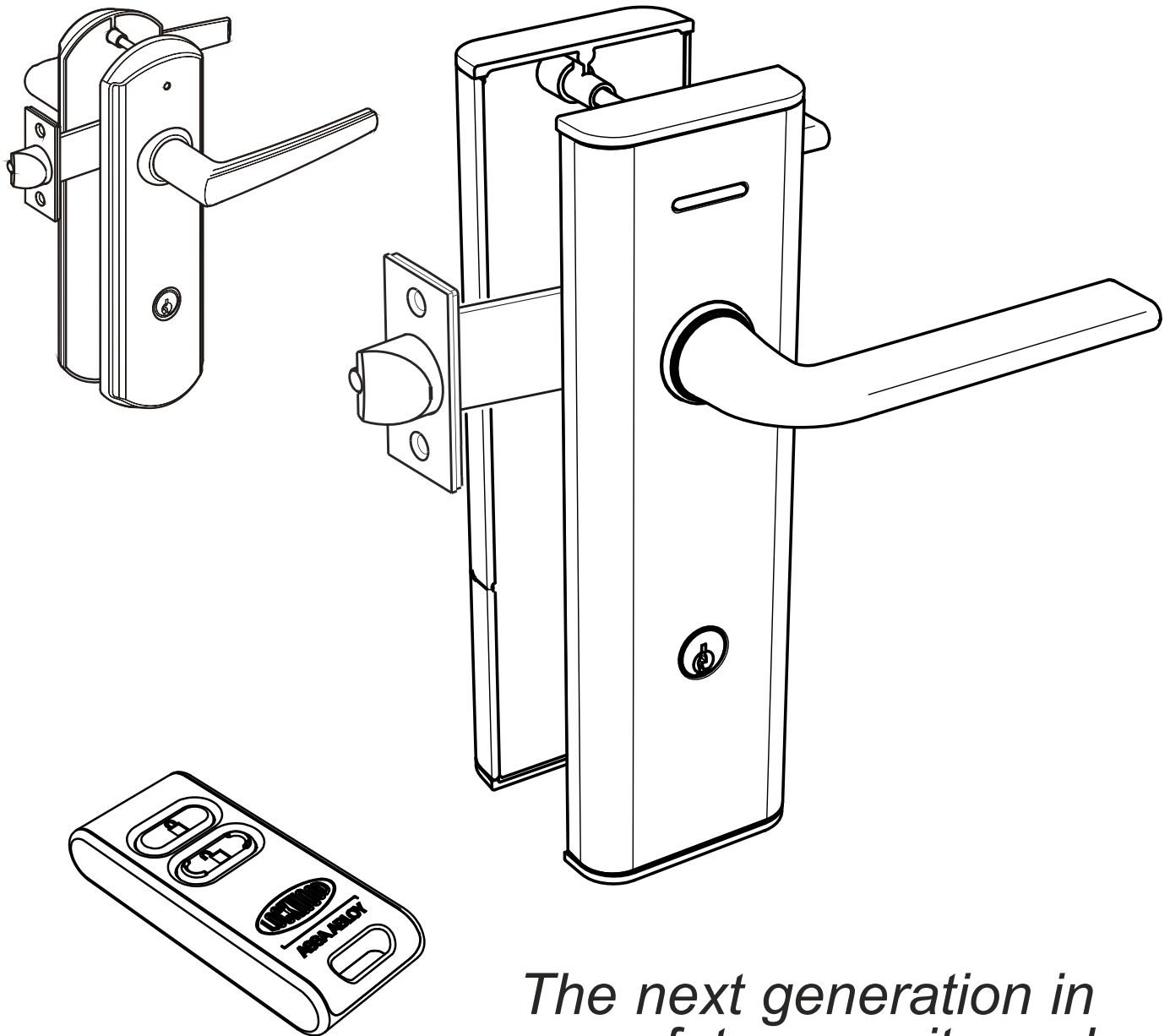


NEXION™

Keyless Entry Lockset User Manual



*The next generation in
safety, security and
convenience*



ASSA ABLOY

Product Overview

Congratulations on purchasing your **NEXION KeylessEntry Lockset**.

The **NEXION** multi-functional keyless entry lockset represents the next generation in home security, it combines the security of an automatic deadlatch with numerous safety features and the added convenience of keyless operation, ideal for modern day living.

This lockset can operate in three modes:

SecureMode – Handles and snib are locked from both inside and outside
(*LockAlert* RED).

SafetyMode – Handle is securely locked from outside and free from the inside
(*LockAlert* YELLOW).

PassageMode – Handles are free from both the inside and outside
(*LockAlert* GREEN).

Warning - For safety reasons the inside handle should never be locked while the building is occupied.

The lockset has both audible and visual confirmation of lockset activation by the *Q-Key* remote. A secure access cover is also featured on the lockset to prevent unauthorised tampering.

The *Q-Key* remote has a range of up to 3 metres and is simple and convenient to use and utilises the latest in Encrypted Rolling Code technology to provide the highest security possible.

In addition to the electric operation, the lockset has a number of mechanical safety features

- *LockAlert* indicator on the inside furniture plate that shows at a glance the lockset mode.
- *SafetyRelease* automatically unlocks the inside handle upon entry, by key or *Q-Key* remote, to prevent being unintentionally locked in.
- From *SafetyMode* a *LockoutRelease*, feature automatically unlocks the outside handle (ie. put the lock into *PassageMode*) when inside handle or snib is operated.

To operate your lockset it will require 4 x alkaline batteries. The lockset is preprogrammed to operate with the 2 x *Q-key* remotes supplied. Should additional *Q-Key* remotes be required, the lockset must be reprogrammed to accept all required *Q-key* remotes.

The **NEXION** can be keyed alike to other Lockwood door locks for one key convenience. For information on other special keyed options, please contact your local authorised Lockwood dealer.

The **NEXION** meets the highest security and durability requirements in Australian Standard AS4145.2:1993 when fitted to a quality exterior door.

Important: For the lockset to reach the security and durability levels stated, and function as described in this manual, it must be correctly installed on a quality exterior door in accordance with the manufacturer's installation instructions.

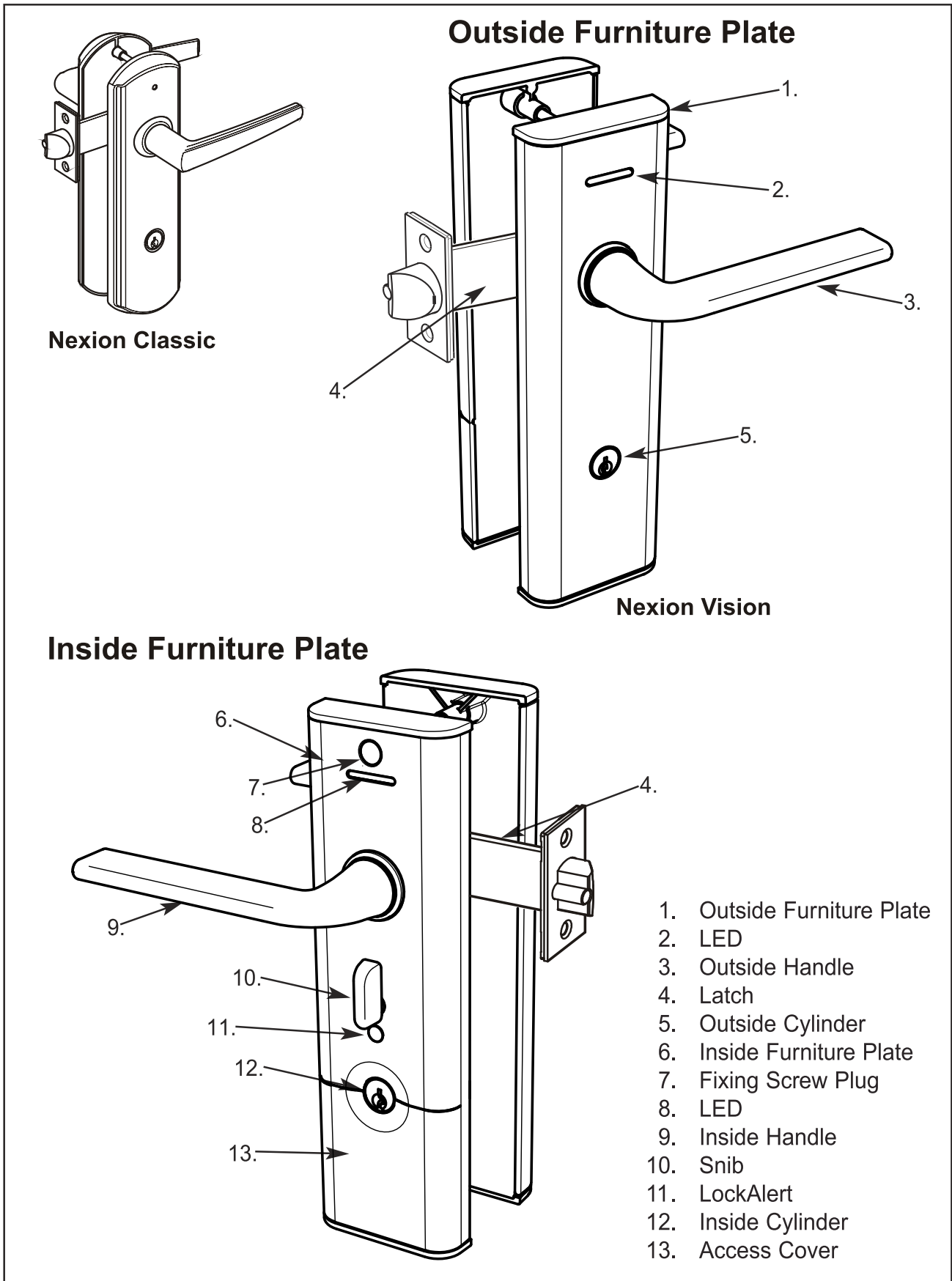


ASSA ABLOY

Contents

Main Features4
Installing & Replacing Batteries5
Programming the Lockset to Respond to Q-Keys6
Using the Lock	
Mechanical Functions7
Keyless Entry Functions8
Accessories9
Troubleshooting & Specifications10
Specifications10
Care and Maintenance11
Contact Details12

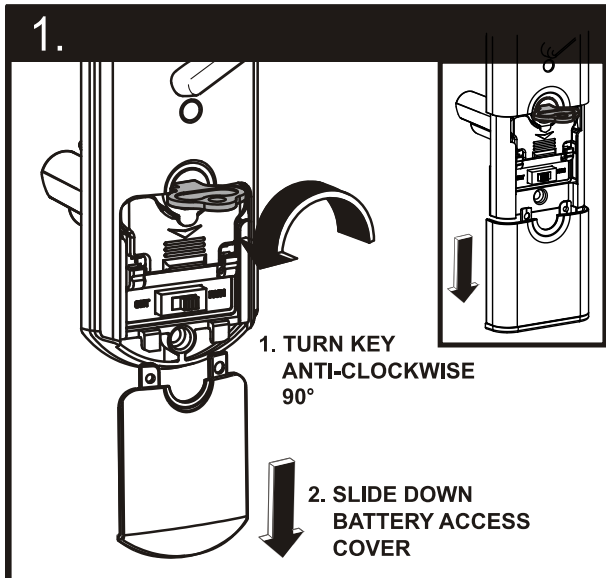
Main Features



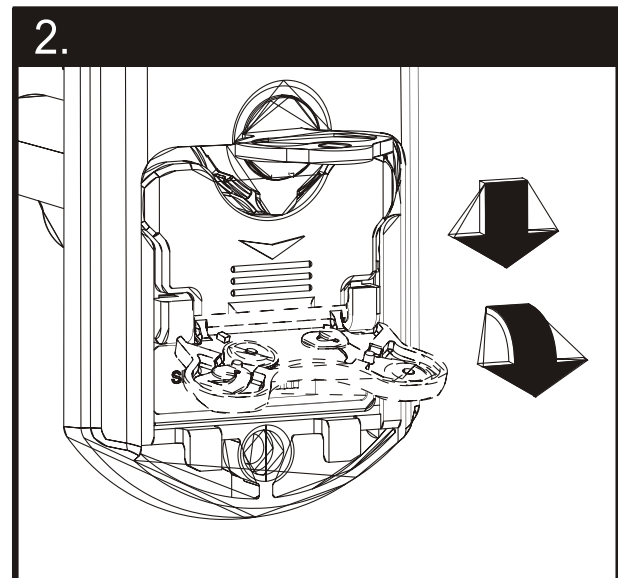
Installing & Replacing Batteries

Installing & Replacing the batteries in the lockset

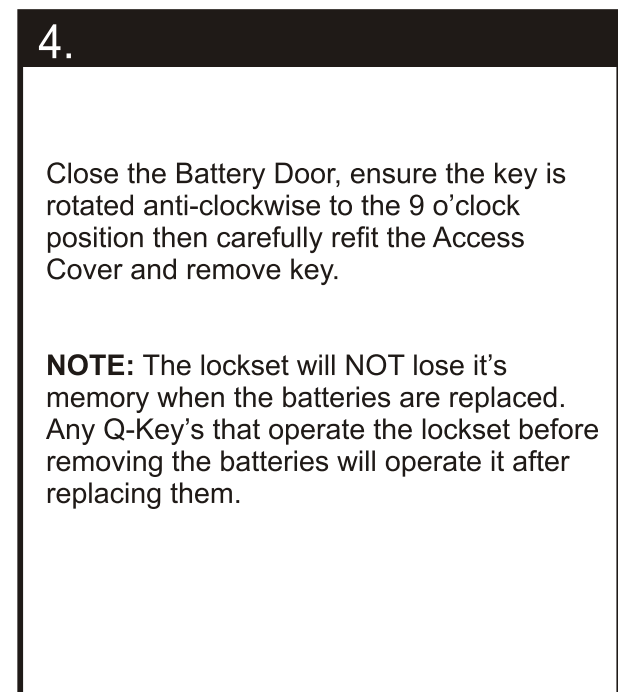
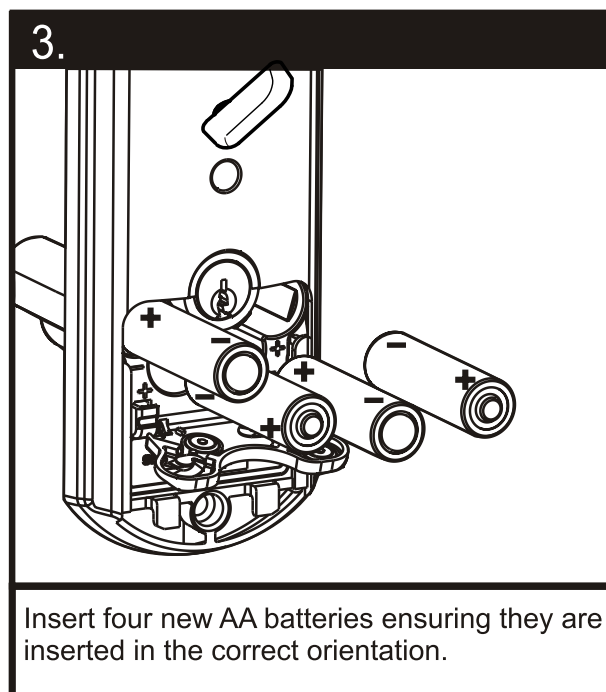
Important: Use only 4 x AA alkaline batteries in the lockset. Do not use rechargeable batteries.



Remove the Access Cover by inserting the key into the inside cylinder, rotating the key anti-clockwise to the 9 o'clock position, then carefully sliding the cover down.



Open the Battery Door by sliding it down, then hinging outward. The key may be removed to allow clearer access to the batteries.



Q-Key batteries

If the batteries in the Q-Key are found to be flat it should be taken to a Lockwood service agent for battery replacement, (Q-Key batteries can be replaced at own risk). Alternatively the Q-Key can be replaced and the lock unit reprogrammed to respond to all to all required Q-Keys (see page 6).

Programming the Lockset to Respond to Q-Keys

Note: The lockset is preprogrammed to respond to the two Q-Keys that are supplied with it. The lockset will only need to be reprogrammed when adding or replacing Q-Keys .

Warning: Once the first Q-key is stored, all existing Q-Keys will be erased from the lockset's memory. All Q-Keys required to operate the lockset must be present when programming.

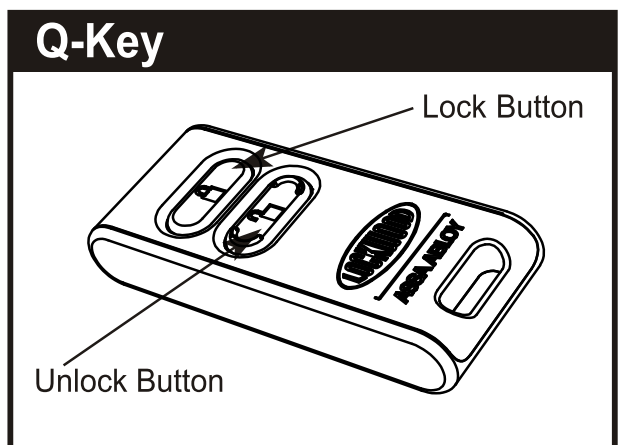
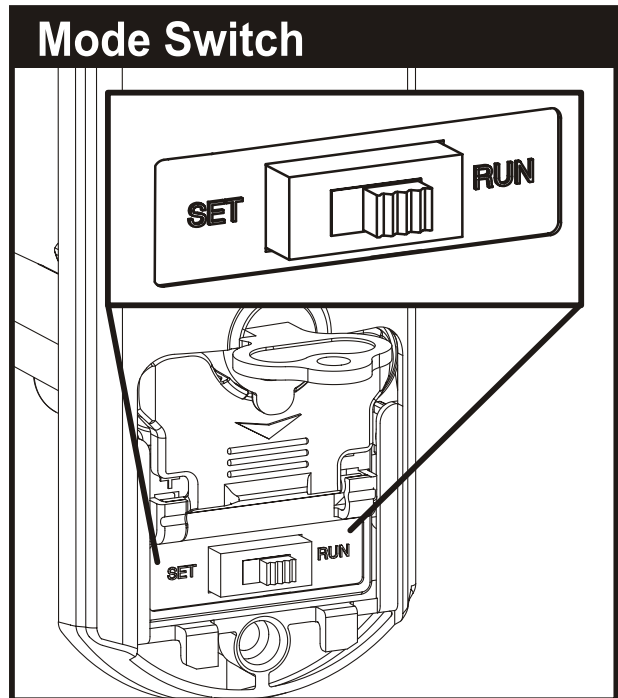
Placing the Lock into Programming Mode

1. Remove the Access Cover by inserting the key into the inside cylinder, rotating the key 90° to the horizontal position, then carefully sliding the cover down.
2. Slide the mode switch from the ' RUN' position to the ' SET' position.

Storing the Q-Keys

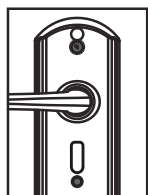
3. Ensure the Q-Key is within 1 metre of the lockset and press the 'LOCK' button. The lockset will indicate the memory has been cleared and the first Q-Key has been stored by giving one short then one long beep and GREEN flash.
4. To confirm the Q-Key, press the 'LOCK' button again. The lockset will confirm that the Q-Key is functional and has been stored correctly by giving one short beep and a GREEN flash. If the lockset gives five short beeps and RED flashes, the Q-Key has not been stored correctly (see Trouble Shooting).
5. Repeat Steps 3 & 4 for each Q-Key required to lock and unlock the door – a maximum of 50 Q-Keys can be stored in any one lockset. If, after attempting to store a Q-Key the lockset gives five short beeps and YELLOW flashes, 50 Q-Keys have already been successfully stored and you are attempting to store the 51st Q-Key.
6. When all Q-Keys have been stored, slide the mode switch from the ' SET' position back to the ' RUN' position, replace the cover and remove the key.

Note: If it is required to operate more than one NEXION lockset with the same Q-Keys, repeat all the above steps with the other NEXION lockset(s).



Using the Lock - Mechanical Functions

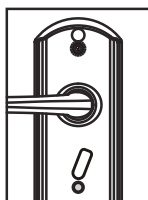
The NEXION deadlatch lockset operates in three modes:



1. **SecureMode** (*LockAlert RED*)

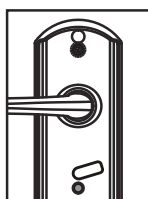
Both the inside and outside handles and snib are locked for maximum security when all occupants have left the property.

Warning - For safety reasons the inside handle should never be locked while the building is occupied.



2. **SafetyMode** (*LockAlert YELLOW*)

The handle is securely locked from the outside to prevent unauthorised entry, but free from the inside to make exiting easy when leaving the property or to escape safely in an emergency.



3. **PassageMode** (*LockAlert GREEN*)

The handles are free from both the inside and outside. The passage mode gives convenient access from inside and outside without the need for a key.

Locking the Door

To change the lockset into **SecureMode**

With the door open and the lockset in *SafetyMode* (*LockAlert YELLOW*), insert the key into the inside cylinder and rotate it 360° clockwise and remove the key. Exit the premises and close the door. The lockset is now in *SecureMode* (*LockAlert RED*).

Warning - For safety reasons the inside handle should never be locked while the building is occupied.

To change the lockset into **SafetyMode**

With the lockset in *PassageMode* (*LockAlert GREEN*), rotate the snib anti-clockwise to the 1 o'clock position. The lockset is now in *SafetyMode* (*LockAlert YELLOW*). The outside handle is locked, but when the inside handle is operated, the door will open and the lockset will automatically change to *PassageMode* (*LockAlert GREEN*).

Note: The lockset incorporates a LockoutRelease which automatically changes to *PassageMode* when the inside handle is operated. If you wish to leave the premises with the lockset in *SafetyMode* (*LockAlert YELLOW*), the snib must be rotated to the 1 o'clock position before the door is closed.

Unlocking the Door

From the outside

Insert the key into the outside cylinder and rotate clockwise to the 4 o'clock position – the lockset will change to *PassageMode* (*LockAlert GREEN*). Operate the handle and enter. As the key is returned to the vertical position and removed, the lockset will revert to *SafetyMode* (*LockAlert YELLOW*).

To change the lock into **PassageMode** from the inside

With the lockset in *SafetyMode* (*LockAlert YELLOW*), either rotate the snib clockwise to the 2 o'clock position or operate the inside handle to change the lockset mode to *PassageMode* (*LockAlert GREEN*).

Using the Lock – Keyless Entry Functions

Locking the Door

To change the lockset into SecureMode

After exiting and closing the door, press the 'LOCK' button on the Q-Key. The lockset will give three short beeps and RED flashes to confirm it has changed to *SecureMode (LockAlert RED)*.

Warning – for safety reasons the inside handle should never be locked while the building is occupied.

To change the lockset into SafetyMode

With the door in *PassageMode (LockAlert GREEN)*, press the 'UNLOCK' button. The lockset will give one short beep and a GREEN flash to show it is in *PassageMode (LockAlert GREEN)*. After six seconds, the lockset will give two short beeps and YELLOW flashes to confirm it has changed to *SafetyMode (LockAlert YELLOW)*.

Unlocking the door

To unlock the door from SecureMode or SafetyMode from the outside

Press the 'UNLOCK' button. The lockset will give one short beep and a GREEN flash to show it has moved to *PassageMode (LockAlert GREEN)*. The external handle will now be free to operate. After six seconds, the lockset will give two short beeps and YELLOW flashes to confirm it has reverted to *SafetyMode (LockAlert YELLOW)*.

Note: If the outside handle is not operated within six seconds, the lockset will still revert to *SafetyMode (LockAlert YELLOW)*.

To change the lock into PassageMode

If you wish to have the lock remain in *PassageMode (LockAlert GREEN)*, it must be placed in this mode by manually turning the snib as described previously in MECHANICAL FUNCTIONS.

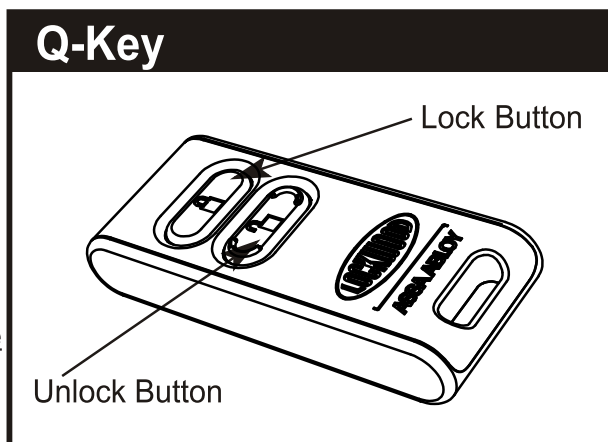
Note: If the lockset is unable to change modes, for example if the handle is operated while changing modes, the lockset will give an error signal of five short beeps and RED flashes, wait a short time then retry. It will repeat this until it is successful.

Low Batteries

When the lockset batteries become low in power and need replacing, the lockset will give a low battery warning signal. This signal will be given after the normal lockset conformation signal (refer above) and means the batteries must be replaced as soon as possible.

The low battery warning is red flashes and beeps in the following sequence:
Short, Long, Long Short, Long.

If either the lockset batteries or the Q-key batteries are flat, the key may be used to operate the lockset. It is recommended that the key be carried with the Q-key remote at all times.

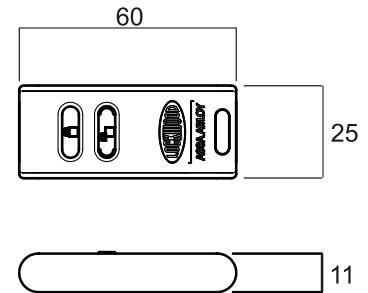


Accessories

NXV8/10 Q-Key Remote Control

Additional or replacement Q-Keys for use with the NEXION Keyless Entry Locksets.

Available in Display Pack only in Black.

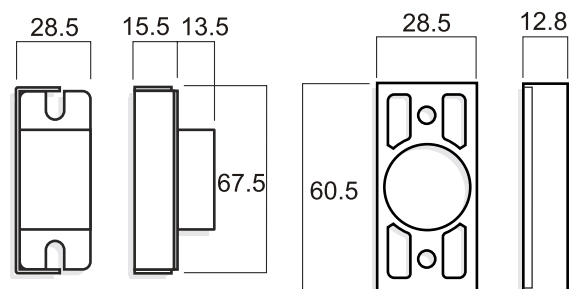


NX8/20 Rebate Kit

Suitable for rebated double doors.

Available in Trade Pack and Display Packs in the following finishes:

Bright Chrome, Gold Plate, Satin Chrome.



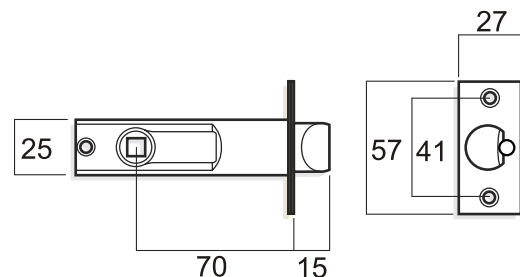
NX8/70 Latch with 70 mm Backset

For installations requiring a 70 mm backset.

Comes with mounting screws and fitting instructions.

Available in Trade Pack only in the following finishes:

Bright Chrome, Gold Plate, Satin Chrome.



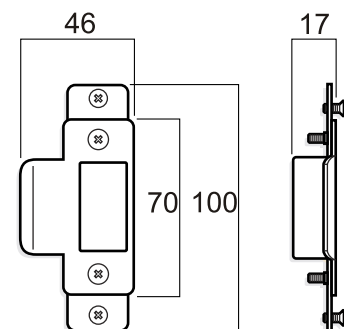
NX8/40 Metal Frame Strike Kit

For installations into doors with metal frames.

Consists of strike plate, metal strike box and fixing screws.

Available in Trade Pack only in the following finishes:

Bright Chrome, Gold Plate, Satin Chrome.





ASSA ABLOY

Troubleshooting & Specifications

Problem	Possible Cause	Possible Solution(s)	Page
The lockset gives five short beeps & RED flashes of short, long, long, short, long	Low batteries in the lockset	Replace lockset batteries as soon as possible	5
The lockset gives five short beeps & RED flashes when locking	Handle operated while changing modes	Don't operate handle while changing modes	
	Lock is misaligned or incorrectly installed	Check installation of lockset	
	Lockset has failed to change modes	Check that handle is not obstructed from returning fully	
Q-Key will only operate lockset when extremely close	Flat battery in Q-Key	Replace the Q-Key or batteries	5, 9
	Lock is fitted to a steel skinned door, or behind a security door	Operating range will be reduced in this installation	
No Q-Keys will operate lockset	Flat batteries in lockset	Fit Fresh Alkaline batteries 4 x AA	5
	Incorrectly fitted batteries in lockset	Check the polarity of the batteries	5
	The Q-Key(s) being used have not been programmed into the lockset	Reprogram the lockset for all Q-Keys required to operate it	6
One Q-Key will not operate lockset	Q-Key too far from lockset	Move Q-Key closer to lockset before operating	6
	The Q-Key being used has not been programmed into the lockset	Reprogram the lockset for all Q-Keys required to operate it	9
	Flat internal battery in the Q-Key	Try using another Q-Key, if the second Q-Key operates the lockset, replace the batteries in the non-functional Q-Key	
Q-Key fails to be properly stored in lockset	Flat battery in Q-Key	Replace the Q-Key or batteries	5, 9
	Damaged Q-Key	Replace the Q-Key	9
	Attempting to use a third party Remote Control unit with the lockset	Use a Lockwood supplied Q-Key	
Key will not operate the lockset	Key being rotated the wrong way	Check direction of rotation for relevant function	7
	Wrong key is being used	Use correct key	
	Key is damaged	Replace key	
Key will not rotate to put lockset in SecureMode	Snib is not in SafetyMode	Place lockset in SafetyMode, then operate key	
The door can be pulled open in all modes	Strike misalignment due to incorrect installation or door/frame warping	Reposition the strike and strike box to allow correct operation	

Specifications

Lockset

Door Thicknesses 35-45mm
 Backset 60mm
 (70mm with optional latch)

Lockset Receiver

Batteries
 Type 4 x AA Alkaline
 (not included in display pack)
 Battery Life Up to one year

Memory
 Type EEPROM
 (Retains memory when power is lost)

Capacity Up to 50 Q-Keys

Transmitter (Q-Key)

Batteries 2 x CR2025
 Battery Life Up to 18 months
 Operating Frequency 433MHz
 Operating Temperature -20 to 50°C
 Range Up to 3 metres

Note: Operating range will be reduced if the lockset is fitted to a steel skinned door, or if a metal security door is fitted in front of the lockset

Care and Maintenance

In order to gain the maximum life from your Lockwood product, correct maintenance procedures should be followed. The complete door and lock should be routinely inspected at least annually (more frequently in harsh environments). Particular attention should be given to the alignment of the lockset to the strike to ensure the lock will operate smoothly and remain secure.

To clean the lockset, only a dilute solution of mild detergent and warm water in conjunction with a cloth or soft bristled brush should be used. After cleaning, rinse surfaces thoroughly with fresh water ensuring no water enters the lockset.

The keyed cylinders should be lubricated using graphite powder applied to the key and then inserting the key into the cylinder. The bolt and strike lip may be lubricated using a small amount of Teflon based lubricant or a light machine oil.

For your convenience record the serial number of your lockset and the date you received your product below and attach your purchase receipt as proof of purchase. Please retain in the event that you need to claim against this guarantee.

Type: Nexion Keyless Entry Lockset Serial Number*: _____

Date: _____ Purchased from: _____

*The serial number can be found on the inside of the access cover. Refer to page 5 on how to remove the access cover.



ASSA ABLOY

ASSA ABLOY is the global leader in door opening solutions, dedicated to satisfying end-user needs for security, safety and convenience



Lockwood is the leading brand in the Australian locking industry. With an established reputation for high quality products, this iconic brand provides a wide range of locking solutions to residential housing, commercial building and industrial application markets. Lockwood is supported by an extensive distribution and after-sales support network. Their customers include retailers, architects, trade and industrial personnel, locksmiths and security dealers.

ASSA ABLOY

ASSA ABLOY is the global leader in door opening solutions, dedicated to satisfying end-user needs for security, safety and convenience.

ASSA ABLOY is represented in all major regions, in both mature and emerging markets, with leading positions in Australia, Europe and North America.

As the world's leading lock group, ASSA ABLOY offers a more complete product range of door opening solutions than any other company on the market.

1300 LOCK UP (1300 562 587)
lockweb.com.au

