

Multi V Air Conditioner

SVC MANUAL(Exploded View)

MODEL : ARNU073M2A4 ARNU283M3A4
 ARNU093M2A4 ARNU363M3A4
 ARNU123M2A4 ARNU423M3A4
 ARNU153M2A4 ARNU483M3A4
 ARNU183M2A4 ARNU543M3A4
 ARNU243M2A4
 ARNU283M2A4
 ARNU363M2A4
 ARNU423M2A4

CAUTION

Before Servicing the unit, read the safety precautions in General SVC manual.
Only for authorized service personnel.

1. Specification

Type			Ceiling Concealed Duct -Middle Static		
Model		Unit	ARNU073M2A4	ARNU093M2A4	ARNU123M2A4
Cooling Capacity		kW	2.2	2.8	3.6
		kcal/h	1 900	2 400	3 100
		Btu/h	7 500	9 600	12 300
Heating Capacity		kW	2.5	3.2	4
		kcal/h	2 200	2 800	3 400
		Btu/h	8 500	10 900	13 600
Power Input	Nominal	W	32	32	33
	Rated	W	430	430	430
Casing			Galvanized Steel Plate	Galvanized Steel Plate	Galvanized Steel Plate
Dimensions (WxHxD)	Body	mm	1 250 x 270 x 700	1 250 x 270 x 700	1 250 x 270 x 700
		inch	49-7/32 x 10-5/8 x 27-9/16	49-7/32 x 10-5/8 x 27-9/16	49-7/32 x 10-5/8 x 27-9/16
Coil	Rows x Columns x FPI		2 x 13 x 18	2 x 13 x 18	2 x 13 x 18
	Face Area	m ² (ft ²)	0.27(2.91)	0.27(2.91)	0.27(2.91)
Fan	Type		Sirocco Fan	Sirocco Fan	Sirocco Fan
	Motor Output x Number	W	350 x 1	350 x 1	350 x 1
	Running Current	A	2.3	2.3	2.3
	Air Flow Rate(H / M / L) (High Mode-Factory Set)	CMM	13.3 / 9.4 / 6.8	13.3 / 9.4 / 6.8	14.8 / 10.2 / 7.4
		CFM	470 / 332 / 240	470 / 332 / 240	523 / 360 / 261
	External static pressure	mmAq(Pa)	6(59)	6(59)	6(59)
	Air Flow Rate(H / M / L) (Standard mode)	CMM	13.3 / 9.4 / 6.8	13.3 / 9.4 / 6.8	14.8 / 10.2 / 7.4
		CFM	470 / 332 / 240	470 / 332 / 240	523 / 360 / 261
	External static Pressure	mmAq(Pa)	5(49)	5(49)	5(49)
Drive		Direct	Direct	Direct	
Motor type		BLDC	BLDC	BLDC	
Temperature Control			Microprocessor, Thermostat for cooling and heating	Microprocessor, Thermostat for cooling and heating	Microprocessor, Thermostat for cooling and heating
Sound Absorbing Thermal Insulation Material			Foamed polystyrene	Foamed polystyrene	Foamed polystyrene
Air Filter			-	-	-
Safety Device			Fuse	Fuse	Fuse
Pipe Connections	Liquid Side	mm(inch)	Ø6.35(1/4)	Ø6.35(1/4)	Ø6.35(1/4)
	Gas Side	mm(inch)	Ø12.7(1/2)	Ø12.7(1/2)	Ø12.7(1/2)
	Drain Pipe(Internal Dia.)	mm(inch)	25(1)	25(1)	25(1)
Net Weight	Body	kg(lbs)	37.6(83)	37.6(83)	37.6(83)
Sound Pressure Levels (H / M / L)		dB(A)	38 / 37 / 36	38 / 37 / 36	38 / 37 / 36
Sound Power Levels (H / M / L)		dB(A)	53 / 52 / 52	53 / 52 / 52	54 / 53 / 53
Power Supply		Ø, V, Hz	1, 208-230, 60	1, 208-230, 60	1, 208-230, 60
Refrigerant Control			EEV	EEV	EEV
Transmission Cable (AWG# -C)			AWG 18 x 2C	AWG 18 x 2C	AWG 18 x 2C

Notes:-

1. Capacities are based on the following conditions:

- Cooling
 - Indoor temp. 27°C[80.6°F]DB/ 19°C[66.2°F]WB
 - Outdoor temp. 35°C[95°F]DB/ 24°C[75.2°F]WB
 - Interconnecting Piping Length 7.5m(24.6ft)
 - Level Difference of Zero
- Heating
 - Indoor temp. 20°C[68°F]DB/ 15°C[59°F]WB
 - Outdoor temp. 7°C[44.6°F]DB/ 6°C[42.8°F]WB
 - Interconnecting Piping Length 7.5m(24.6ft)
 - Level Difference of Zero

2. Capacities are net capacities

3. Due to our policy of innovation some specifications may be changed without prior notification

4. To be added for more available Models

5. EEV : Electronic Expansion Valve

6. Noise Level is Standard Mode

(for actual High Mode(factory set) condition, Noise Level may exceed the standard level by 1.5dBA)

Conversion Formula

kcal/h= kW x 860
 Btu/h = kW x 3 412
 CFM = m³/min x 35.3
 l/s = CMM x 1 000/60

Type			Ceiling Concealed Duct -Middle Static		
Model		Unit	ARNU153M2A4	ARNU183M2A4	ARNU243M2A4
Cooling Capacity		kW	4.5	5.6	7.1
		kcal/h	3 900	4 800	6 100
		Btu/h	15 400	19 100	24 200
Heating Capacity		kW	5	6.3	8
		kcal/h	4 300	5 400	6 900
		Btu/h	17 100	21 500	27 300
Power Input	Nominal	W	33	50	50
	Rated	W	430	430	430
Casing			Galvanized Steel Plate	Galvanized Steel Plate	Galvanized Steel Plate
Dimensions (WxHxD)	Body	mm	1 250 x 270 x 700	1 250 x 270 x 700	1 250 x 270 x 700
		inch	49-7/32 x 10-5/8 x 27-9/16	49-7/32 x 10-5/8 x 27-9/16	49-7/32 x 10-5/8 x 27-9/16
Coil	Rows x Columns x FPI		2 x 13 x 18	2 x 13 x 18	2 x 13 x 18
	Face Area	m ² (ft ²)	0.27(2.91)	0.27(2.91)	0.27(2.91)
Fan	Type		Sirocco Fan	Sirocco Fan	Sirocco Fan
	Motor Output x Number	W	350 x 1	350 x 1	350 x 1
	Running Current	A	2.3	2.3	2.3
	Air Flow Rate(H / M / L) (High Mode-Factory Set)	CMM	14.8 / 10.2 / 7.4	18.5 / 14.8 / 10.2	18.5 / 14.8 / 10.2
		CFM	523 / 360 / 261	653 / 523 / 360	653 / 523 / 360
	External static pressure	mmAq(Pa)	6(59)	6(59)	6(59)
	Air Flow Rate(H / M / L) (Standard mode)	CMM	14.8 / 10.2 / 7.4	18.5 / 14.8 / 10.2	18.5 / 14.8 / 10.2
		CFM	523 / 360 / 261	653 / 523 / 360	653 / 523 / 360
	External static Pressure	mmAq(Pa)	5(49)	5(49)	5(49)
	Drive		Direct	Direct	Direct
Motor type		BLDC	BLDC	BLDC	
Temperature Control			Microprocessor, Thermostat for cooling and heating	Microprocessor, Thermostat for cooling and heating	Microprocessor, Thermostat for cooling and heating
Sound Absorbing Thermal Insulation Material			Foamed polystyrene	Foamed polystyrene	Foamed polystyrene
Air Filter			-	-	-
Safety Device			Fuse	Fuse	Fuse
Pipe Connections	Liquid Side	mm(inch)	Ø6.35(1/4)	Ø6.35(1/4)	Ø9.52(3/8)
	Gas Side	mm(inch)	Ø12.7(1/2)	Ø12.7(1/2)	Ø15.88(5/8)
	Drain Pipe(Internal Dia.)	mm(inch)	25(1)	25(1)	25(1)
Net Weight	Body	kg(lbs)	37.6(83)	37.6(83)	37.6(83)
Sound Pressure Levels (H / M / L)		dB(A)	38 / 37 / 36	39 / 38 / 37	39 / 38 / 37
Sound Power Levels (H / M / L)		dB(A)	53 / 53 / 52	54 / 53 / 53	54 / 53 / 53
Power Supply		Ø, V, Hz	1, 208-230, 60	1, 208-230, 60	1, 208-230, 60
Refrigerant Control			EEV	EEV	EEV
Transmission Cable (AWG# -C)			AWG 18 x 2C	AWG 18 x 2C	AWG 18 x 2C

Notes:-

1. Capacities are based on the following conditions:

- Cooling
 - Indoor temp. 27°C[80.6°F]DB/ 19°C[66.2°F]WB
 - Outdoor temp. 35°C[95°F]DB/ 24°C[75.2°F]WB
 - Interconnecting Piping Length 7.5m(24.6ft)
 - Level Difference of Zero
- Heating
 - Indoor temp. 20°C[68°F]DB/ 15°C[59°F]WB
 - Outdoor temp. 7°C[44.6°F]DB/ 6°C[42.8°F]WB
 - Interconnecting Piping Length 7.5m(24.6ft)
 - Level Difference of Zero

2. Capacities are net capacities

3. Due to our policy of innovation some specifications may be changed without prior notification

4. To be added for more available Models

5. EEV : Electronic Expansion Valve

6. Noise Level is Standard Mode

(for actual High Mode(factory set) condition, Noise Level may exceed the standard level by 1.5dBA)

Conversion Formula

kcal/h= kW x 860
 Btu/h = kW x 3 412
 CFM = m³/min x 35.3
 l/s = CMM x 1 000/60

Type			Ceiling Concealed Duct -Middle Static		
Model		Unit	ARNU283M2A4	ARNU363M2A4	ARNU423M2A4
Cooling Capacity		kW	8.2	10.6	12.3
		kcal/h	7 100	9 100	10 600
		Btu/h	28 000	36 200	42 000
Heating Capacity		kW	9.2	11.9	13.8
		kcal/h	8 000	10 200	11 800
		Btu/h	31 500	40 600	47 000
Power Input	Nominal	W	123	184	231
	Rated	W	430	430	430
Casing			Galvanized Steel Plate	Galvanized Steel Plate	Galvanized Steel Plate
Dimensions (WxHxD)	Body	mm	1 250 x 270 x 700	1 250 x 270 x 700	1 250 x 270 x 700
		inch	49-7/32 x 10-5/8 x 27-9/16	49-7/32 x 10-5/8 x 27-9/16	49-7/32 x 10-5/8 x 27-9/16
Coil	Rows x Columns x FPI		3 x 13 x 18	3 x 13 x 18	3 x 13 x 18
	Face Area	m ² (ft ²)	0.27(2.91)	0.27(2.91)	0.27(2.91)
Fan	Type		Sirocco Fan	Sirocco Fan	Sirocco Fan
	Motor Output x Number	W	350 x 1	350 x 1	350 x 1
	Running Current	A	2.3	2.3	2.3
	Air Flow Rate(H / M / L) (High Mode-Factory Set)	CMM	28.0 / 24.0 / 21.0	28.0 / 24.0 / 21.0	38.0 / 33.0 / 28.0
		CFM	989 / 848 / 742	989 / 848 / 742	1 342 / 1 165 / 989
	External static pressure	mmAq(Pa)	6(59)	6(59)	6(59)
	Air Flow Rate(H / M / L) (Standard mode)	CMM	28.0 / 24.0 / 21.0	28.0 / 24.0 / 21.0	38.0 / 33.0 / 28.0
		CFM	989 / 848 / 742	989 / 848 / 742	1 342 / 1 165 / 989
	External static Pressure	mmAq(Pa)	5(49)	5(49)	5(49)
	Drive		Direct	Direct	Direct
Motor type		BLDC	BLDC	BLDC	
Temperature Control			Microprocessor, Thermostat for cooling and heating	Microprocessor, Thermostat for cooling and heating	Microprocessor, Thermostat for cooling and heating
Sound Absorbing Thermal Insulation Material			Foamed polystyrene	Foamed polystyrene	Foamed polystyrene
Air Filter			-	-	-
Safety Device			Fuse	Fuse	Fuse
Pipe Connections	Liquid Side	mm(inch)	Ø9.52(3/8)	Ø9.52(3/8)	Ø9.52(3/8)
	Gas Side	mm(inch)	Ø15.88(5/8)	Ø15.88(5/8)	Ø15.88(5/8)
	Drain Pipe(Internal Dia.)	mm(inch)	25(1)	25(1)	25(1)
Net Weight	Body	kg(lbs)	39.1(86)	39.1(86)	39.1(86)
Sound Pressure Levels (H / M / L)		dB(A)	40 / 39 / 37	42 / 40 / 38	44 / 43 / 40
Sound Power Levels (H / M / L)		dB(A)	64 / 61 / 57	65 / 62 / 60	66 / 65 / 63
Power Supply		Ø, V, Hz	1, 208-230, 60	1, 208-230, 60	1, 208-230, 60
Refrigerant Control			EEV	EEV	EEV
Transmission Cable (AWG# -C)			AWG 18 x 2C	AWG 18 x 2C	AWG 18 x 2C

Notes:-

1. Capacities are based on the following conditions:

- Cooling
 - Indoor temp. 27°C[80.6°F]DB/ 19°C[66.2°F]WB
 - Outdoor temp. 35°C[95°F]DB/ 24°C[75.2°F]WB
 - Interconnecting Piping Length 7.5m(24.6ft)
 - Level Difference of Zero
- Heating
 - Indoor temp. 20°C[68°F]DB/ 15°C[59°F]WB
 - Outdoor temp. 7°C[44.6°F]DB/ 6°C[42.8°F]WB
 - Interconnecting Piping Length 7.5m(24.6ft)
 - Level Difference of Zero

2. Capacities are net capacities

3. Due to our policy of innovation some specifications may be changed without prior notification

4. To be added for more available Models

5. EEV : Electronic Expansion Valve

6. Noise Level is Standard Mode

(for actual High Mode(factory set) condition, Noise Level may exceed the standard level by 1.5dBA)

Conversion Formula

kcal/h= kW x 860
 Btu/h = kW x 3412
 CFM = m³/min x 35.3
 l/s = CMM x 1 000/60

Type			Ceiling Concealed Duct -Middle Static		
Model		Unit	ARNU283M3A4	ARNU363M3A4	ARNU423M3A4
Cooling Capacity		kW	8.2	10.6	12.3
		kcal/h	7 100	9 100	10 600
		Btu/h	28 000	36 200	42 000
Heating Capacity		kW	9.2	11.9	13.8
		kcal/h	8 000	10 200	11 800
		Btu/h	31 500	40 600	47 000
Power Input	Nominal	W	97	109	109
	Rated	W	650	650	650
Casing			Galvanized Steel Plate	Galvanized Steel Plate	Galvanized Steel Plate
Dimensions (WxHxD)	Body	mm	1 250 x 360 x 700	1 250 x 360 x 700	1 250 x 360 x 700
		inch	49-7/32 x 14-3/16 x 27-9/16	49-7/32 x 14-3/16 x 27-9/16	49-7/32 x 14-3/16 x 27-9/16
Coil	Rows x Columns x FPI		3 x 16 x 18	3 x 16 x 18	3 x 16 x 18
	Face Area	m ² (ft ²)	0.32(3.44)	0.32(3.44)	0.32(3.44)
Fan	Type		Sirocco Fan	Sirocco Fan	Sirocco Fan
	Motor Output x Number	W	500 x 1	500 x 1	500 x 1
	Running Current	A	2.5	2.5	2.5
	Air Flow Rate(H / M / L) (High Mode-Factory Set)	CMM	35.5 / 30.6 / 26.2	38.4 / 33.1 / 26.7	38.4 / 33.1 / 26.7
		CFM	1 254 / 1 081 / 925	1 357 / 1 170 / 943	1 357 / 1 170 / 943
	External static pressure	mmAq(Pa)	6(59)	6(59)	6(59)
	Air Flow Rate(H / M / L) (Standard mode)	CMM	35.5 / 30.6 / 26.2	38.4 / 33.1 / 26.7	38.4 / 33.1 / 26.7
		CFM	1 254 / 1 081 / 925	1 357 / 1 170 / 943	1 357 / 1 170 / 943
	External static Pressure	mmAq(Pa)	5(49)	5(49)	5(49)
	Drive		Direct	Direct	Direct
Motor type		BLDC	BLDC	BLDC	
Temperature Control			Microprocessor, Thermostat for cooling and heating	Microprocessor, Thermostat for cooling and heating	Microprocessor, Thermostat for cooling and heating
Sound Absorbing Thermal Insulation Material			Foamed polystyrene	Foamed polystyrene	Foamed polystyrene
Air Filter			-	-	-
Safety Device			Fuse	Fuse	Fuse
Pipe Connections	Liquid Side	mm(inch)	Ø9.52(3/8)	Ø9.52(3/8)	Ø9.52(3/8)
	Gas Side	mm(inch)	Ø15.88(5/8)	Ø15.88(5/8)	Ø15.88(5/8)
	Drain Pipe(Internal Dia.)	mm(inch)	25(1)	25(1)	25(1)
Net Weight	Body	kg(lbs)	43.6(96)	43.6(96)	43.6(96)
Sound Pressure Levels (H / M / L)		dB(A)	40 / 39 / 37	41 / 39 / 37	41 / 39 / 37
Sound Power Levels (H / M / L)		dB(A)	64 / 62 / 61	65 / 63 / 61	65 / 63 / 61
Power Supply		Ø, V, Hz	1, 208-230, 60	1, 208-230, 60	1, 208-230, 60
Refrigerant Control			EEV	EEV	EEV
Transmission Cable (AWG# -C)			AWG 18 x 2C	AWG 18 x 2C	AWG 18 x 2C

Notes:-

1. Capacities are based on the following conditions:

- Cooling
 - Indoor temp. 27°C[80.6°F]DB/ 19°C[66.2°F]WB
 - Outdoor temp. 35°C[95°F]DB/ 24°C[75.2°F]WB
 - Interconnecting Piping Length 7.5m(24.6ft)
 - Level Difference of Zero
- Heating
 - Indoor temp. 20°C[68°F]DB/ 15°C[59°F]WB
 - Outdoor temp. 7°C[44.6°F]DB/ 6°C[42.8°F]WB
 - Interconnecting Piping Length 7.5m(24.6ft)
 - Level Difference of Zero

2. Capacities are net capacities

3. Due to our policy of innovation some specifications may be changed without prior notification

4. To be added for more available Models

5. EEV : Electronic Expansion Valve

6. Noise Level is Standard Mode

(for actual High Mode(factory set) condition, Noise Level may exceed the standard level by 1.5dBA)

Conversion Formula

kcal/h= kW x 860
 Btu/h = kW x 3412
 CFM = m³/min x 35.3
 l/s = CMM x 1 000/60

Type			Ceiling Concealed Duct -Middle Static	
Model		Unit	ARNU483M3A4	ARNU543M3A4
Cooling Capacity		kW	14.1	15.8
		kcal/h	12 100	13 600
		Btu/h	48 100	54 000
Heating Capacity		kW	15.9	18
		kcal/h	13 600	15 500
		Btu/h	54 200	61 400
Power Input	Nominal	W	172	260
	Rated	W	650	650
Casing			Galvanized Steel Plate	Galvanized Steel Plate
Dimensions (WxHxD)	Body	mm	1 250 x 360 x 700	1 250 x 360 x 700
		inch	49-7/32 x 14-3/16 x 27-9/16	49-7/32 x 14-3/16 x 27-9/16
Coil	Rows x Columns x FPI		3 x 16 x 18	3 x 16 x 18
	Face Area	m ² (ft ²)	0.32(3.44)	0.32(3.44)
Fan	Type		Sirocco Fan	Sirocco Fan
	Motor Output x Number	W	500 x 1	500 x 1
	Running Current	A	2.5	2.5
	Air Flow Rate(H / M / L) (High Mode-Factory Set)	CMM	40.0 / 34.0 / 28.0	50.0 / 45.0 / 40.0
		CFM	1 413 / 1 201 / 989	1 766 / 1 589 / 1 413
	External static pressure	mmAq(Pa)	6(59)	6(59)
	Air Flow Rate(H / M / L) (Standard mode)	CMM	40.0 / 34.0 / 28.0	50.0 / 45.0 / 40.0
		CFM	1 413 / 1 201 / 989	1 766 / 1 589 / 1 413
	External static Pressure	mmAq(Pa)	5(49)	5(49)
Drive		Direct	Direct	
Motor type		BLDC	BLDC	
Temperature Control			Microprocessor, Thermostat for cooling and heating	Microprocessor, Thermostat for cooling and heating
Sound Absorbing Thermal Insulation Material			Foamed polystyrene	Foamed polystyrene
Air Filter			-	-
Safety Device			Fuse	Fuse
Pipe Connections	Liquid Side	mm(inch)	Ø9.52(3/8)	Ø9.52(3/8)
	Gas Side	mm(inch)	Ø15.88(5/8)	Ø15.88(5/8)
	Drain Pipe(Internal Dia.)	mm(inch)	25(1)	25(1)
Net Weight	Body	kg(lbs)	43.6(96)	43.6(96)
Sound Pressure Levels (H / M / L)		dB(A)	42 / 39 / 37	44 / 43 / 42
Sound Power Levels (H / M / L)		dB(A)	67 / 64 / 62	69 / 68 / 67
Power Supply		Ø, V, Hz	1, 208-230, 60	1, 208-230, 60
Refrigerant Control			EEV	EEV
Transmission Cable (AWG# -C)			AWG 18 x 2C	AWG 18 x 2C

Notes:-

1. Capacities are based on the following conditions:

- Cooling
 - Indoor temp. 27°C[80.6°F]DB/ 19°C[66.2°F]WB
 - Outdoor temp. 35°C[95°F]DB/ 24°C[75.2°F]WB
 - Interconnecting Piping Length 7.5m(24.6ft)
 - Level Difference of Zero
- Heating
 - Indoor temp. 20°C[68°F]DB/ 15°C[59°F]WB
 - Outdoor temp. 7°C[44.6°F]DB/ 6°C[42.8°F]WB
 - Interconnecting Piping Length 7.5m(24.6ft)
 - Level Difference of Zero

2. Capacities are net capacities

3. Due to our policy of innovation some specifications may be changed without prior notification

4. To be added for more available Models

5. EEV : Electronic Expansion Valve

6. Noise Level is Standard Mode

(for actual High Mode(factory set) condition, Noise Level may exceed the standard level by 1.5dBA)

Conversion Formula

kcal/h= kW x 860
 Btu/h = kW x 3412
 CFM = m³/min x 35.3
 l/s = CMM x 1 000/60

2. List of Functions

Category	Function	ARNU073M2A4, ARNU093M2A4, ARNU123M2A4, ARNU153M2A4 ARNU183M2A4, ARNU243M2A4, ARNU283M2A4, ARNU363M2A4 ARNU423M2A4, ARNU283M3A4, ARNU363M3A4, ARNU423M3A4 ARNU483M3A4, ARNU543M3A4
Air flow	Air supply outlet	1
	Airflow direction control(left & right)	-
	Airflow direction control(up & down)	-
	Auto swing(left & right)	-
	Auto swing(up & down)	-
	Airflow steps(fan/cool/heat)	3/3/3
	Chaos swing	-
	Chaos wind(auto wind)	-
	Jet cool(Power wind)	-
	Swirl wind	-
Air purifying	Deodorizing filter	X
	Plasma air purifier	X
	Prefilter(washable / anti-fungus)	O
Installation	Drain pump	O
	E.S.P. control	O
	Electric heater(operation)	X
	High ceiling operation	-
Reliability	Hot start	O
	Self diagnosis	O
	Soft dry operation	O
Convenience	Auto changeover	O (Heat recovery only)
	Auto cleaning	O
	Auto operation(artificial intelligence)	O (Heat pump or cooling only)
	Auto restart operation	O
	Child lock	O
	Forced operation	-
	Group control	O
	Sleep mode	O
	Timer(on/off)	O
	Timer(weekly)	O
Two thermistor control	O	
Individual control	Standard wired remote controller	Accessory
	Wide Character wired remote controller	Accessory
	Picto wired remote controller	Accessory
	Deluxe wired remote controller	Accessory
	Simple wired remote controller	Accessory
	Wired remote controller(for hotel use)	Accessory
	Wireless remote controller(simple)	X
	Wireless LCD remote control	Accessory
Special function kit	Zone control	Accessory
	CTIE	-
	Electro thermostat	-

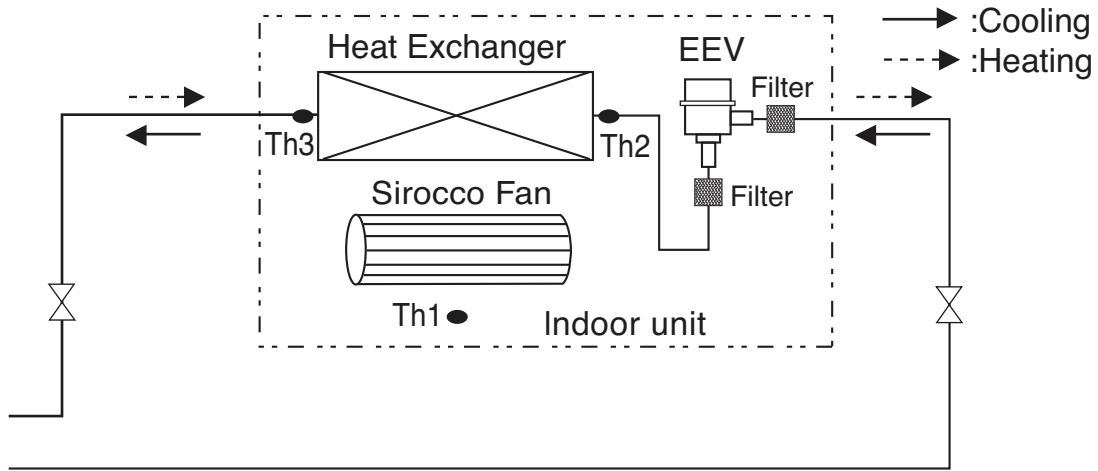
O : Applied X : Not applied - : No relation

Option : Model name & price are different according to options, and assembled in factory with main unit.

Accessory : Installed at field, ordered and purchased separately by the corresponding model name, supplied with separate package.

3. Piping Diagrams

M2/M3 Chassis



Refrigerant pipe connection port diameter

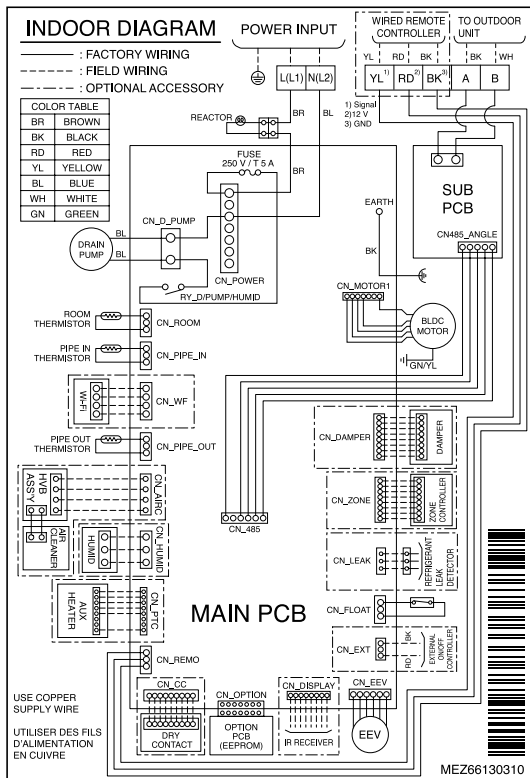
[Unit : mm(inch)]

CHASSIS	MODEL	GAS	LIQUID
M2	ARNU073M2A4	Ø12.7(1/2)	Ø6.35(1/4)
	ARNU093M2A4	Ø12.7(1/2)	Ø6.35(1/4)
	ARNU123M2A4	Ø12.7(1/2)	Ø6.35(1/4)
	ARNU153M2A4	Ø12.7(1/2)	Ø6.35(1/4)
	ARNU183M2A4	Ø12.7(1/2)	Ø6.35(1/4)
	ARNU243M2A4	Ø15.88(5/8)	Ø9.52(3/8)
	ARNU283M2A4	Ø15.88(5/8)	Ø9.52(3/8)
	ARNU363M2A4	Ø15.88(5/8)	Ø9.52(3/8)
M3	ARNU423M2A4	Ø15.88(5/8)	Ø9.52(3/8)
	ARNU283M3A4	Ø15.88(5/8)	Ø9.52(3/8)
	ARNU363M3A4	Ø15.88(5/8)	Ø9.52(3/8)
	ARNU423M3A4	Ø15.88(5/8)	Ø9.52(3/8)
	ARNU483M3A4	Ø15.88(5/8)	Ø9.52(3/8)
ARNU543M3A4	Ø15.88(5/8)	Ø9.52(3/8)	

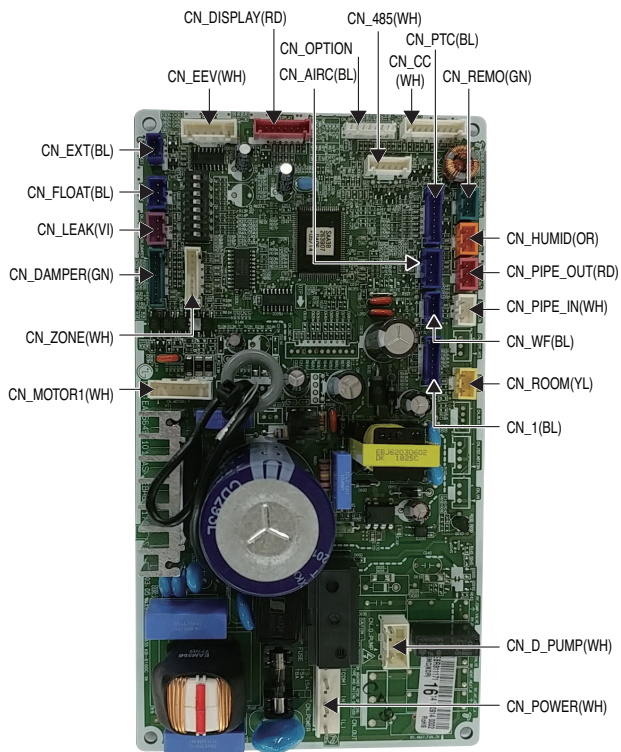
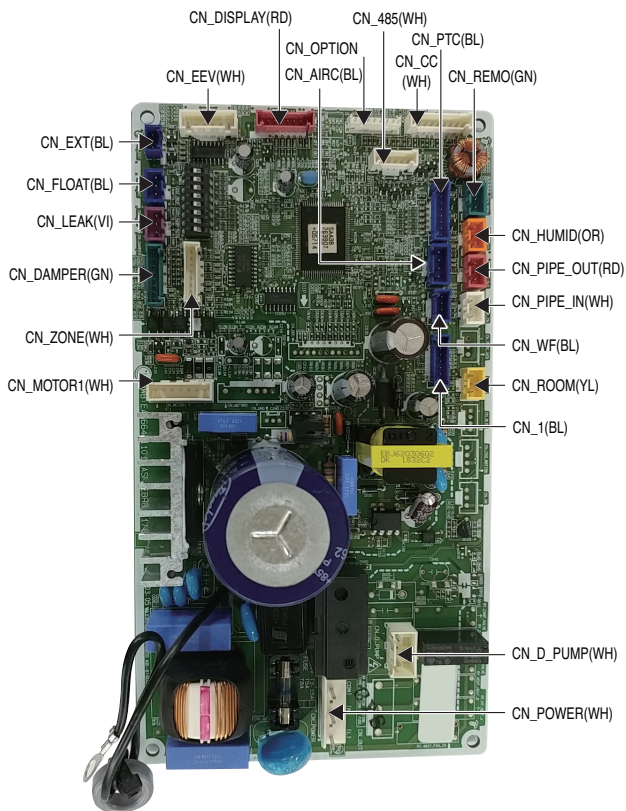
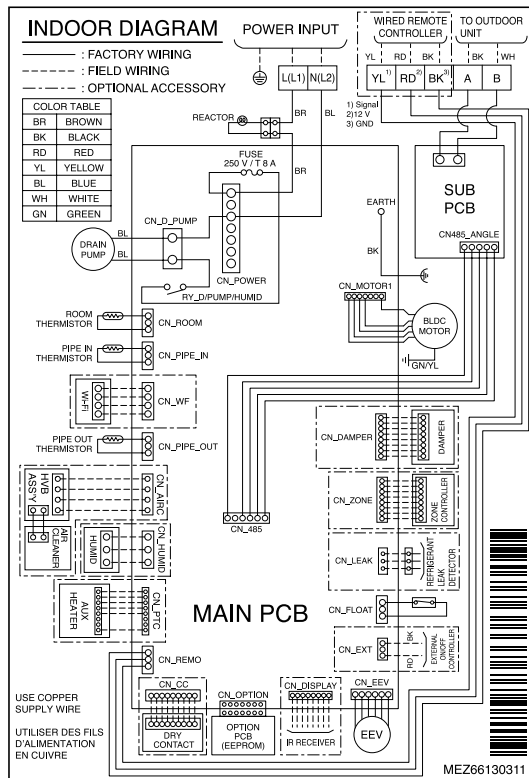
LOC.	Description	PCB Connector (Color)
Th1	Thermistor for room air temperature	CN-ROOM (Yellow)
Th2	Thermistor for pipe in temperature	CN-PIPE_IN (White)
Th3	Thermistor for pipe out temperature	CN-PIPE_OUT (Red)

4. Wiring Diagrams

M2 Chassis



M3 Chassis



5. DIP Switch Setting

1. Indoor Unit

	Function	Description	Setting Off	Setting On	Default
SW1	Communication	N/A (Default)	-	-	Off
SW2	Cycle	N/A (Default)	-	-	Off
SW3	Group Control	Selection of Master or Slave	Master	Slave	Off
SW4	Dry Contact Mode	Selection of Dry Contact Mode	Wired/Wireless remote controller Selection of Manual or Auto operation Mode	Auto	Off
SW5	Installation	Fan continuous operation	Continuous operation Removal	-	Off
SW6	Heater linkage	N/A	-	-	Off
SW7	Ventilator linkage	Selection of Ventilator linkage	Linkage Removal	Working	Off
	Vane selection (Console)	Selection of up/down side Vane	Up side + Down side Vane	Up side Vane Only	
	Region selection	Selection tropical region	General model	Tropical model	
SW8	Etc.	Spare	-	-	Off

⚠ CAUTION

For Multi V Models, DIP switch 1, 2, 6, 8 must be set OFF.

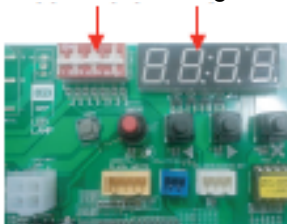
2. Outdoor Unit

In case that the products meet specific conditions, "Auto addressing" function can start automatically with the improved speed by turning the DIP switch #3 of the outdoor unit and resetting the power.

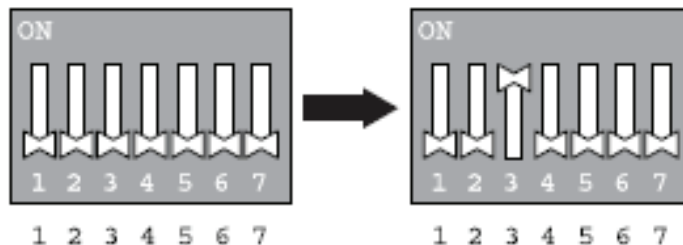
* Specific conditions:

- All names of the indoor units are ARNU****4.
- The serial number of Multi V super IV (outdoor units) is after October 2013.

DIP switch 7 segment



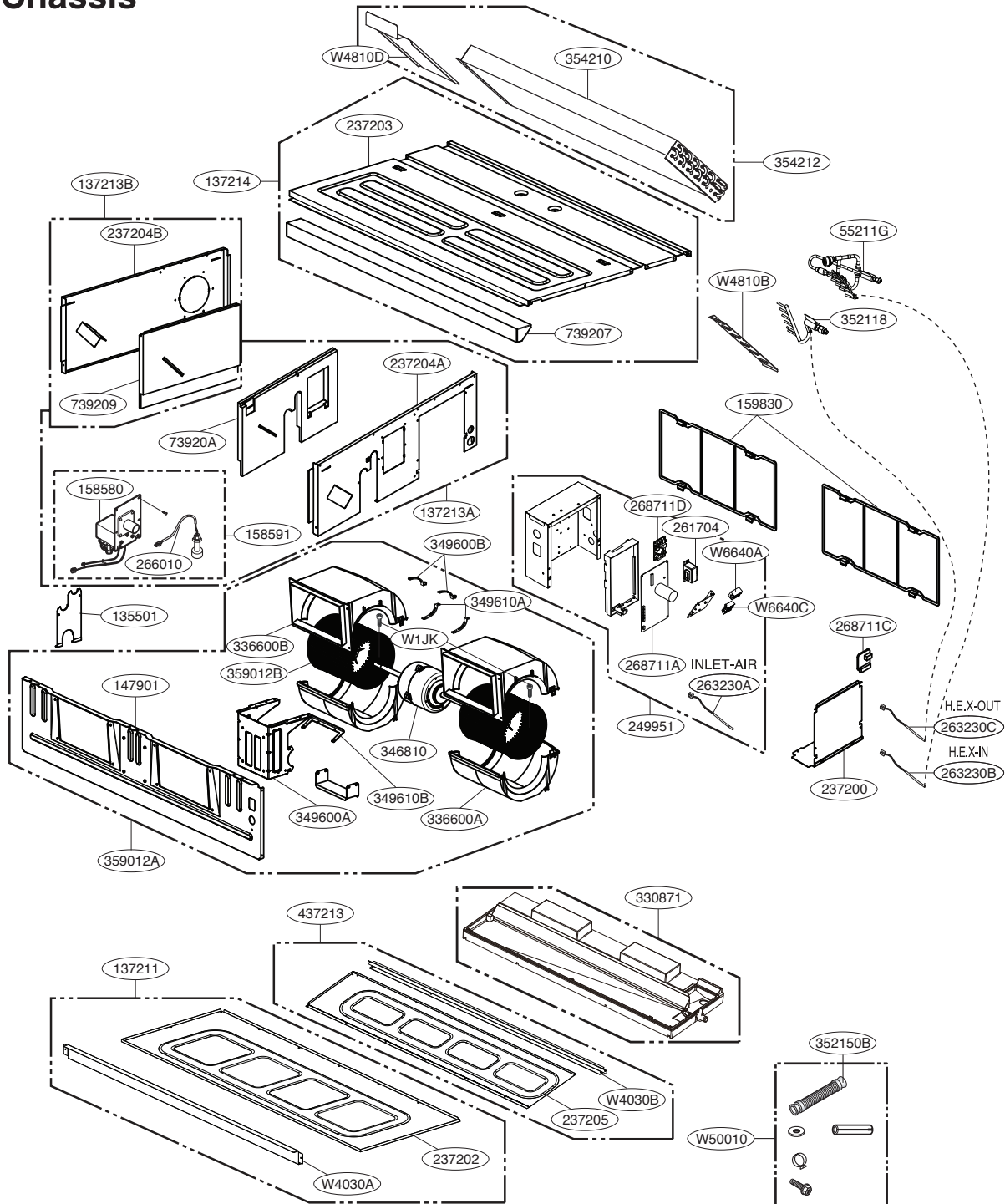
Outdoor Unit PCB



Outdoor Unit DIP Switch

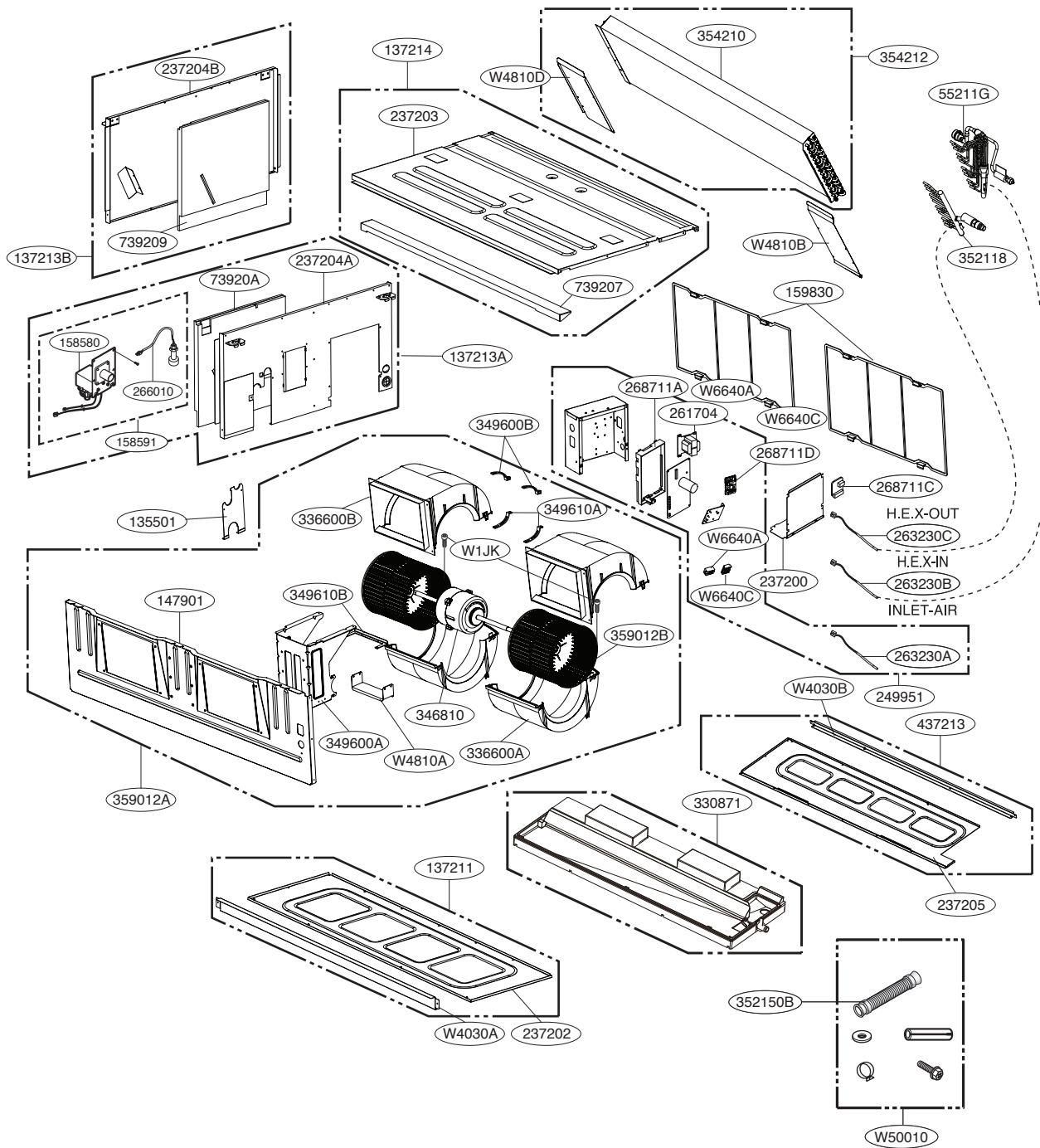
6. Exploded View

M2 Chassis



SVC No.	Description	Remark (Color)
263230A	Thermistor for room air temperature	CN-ROOM (Yellow)
263230B	Thermistor for pipe in temperature	CN-PIPE_IN (White)
263230C	Thermistor for pipe out temperature	CN-PIPE_OUT (Red)
268711A	PCB for main	210 mm(8-9/32 inch) X 115 mm(4-17/32 inch)
268711C	PCB for option	25 mm(31/32 inch) X 25 mm(31/32 inch)
268711D	PCB for communication	65 mm(2-9/16 inch) X 45 mm(1-25/32 inch)

M3 Chassis



SVC No.	Description	Remark (Color)
263230A	Thermistor for room air temperature	CN-ROOM (Yellow)
263230B	Thermistor for pipe in temperature	CN-PIPE_IN (White)
263230C	Thermistor for pipe out temperature	CN-PIPE_OUT (Red)
268711A	PCB for main	210 mm(8-9/32 inch) X 115 mm(4-17/32 inch)
268711C	PCB for option	25 mm(31/32 inch) X 25 mm(31/32 inch)
268711D	PCB for communication	65 mm(2-9/16 inch) X 45 mm(1-25/32 inch)

7. Self-diagnosis function

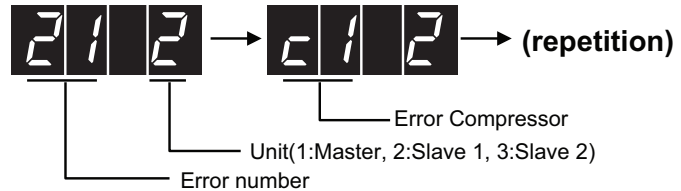
Error Indicator

- This function indicates types of failure in self-diagnosis and occurrence of failure for air condition.
- Error mark is displayed on display window of indoor units and wired remote controller, and 7-segment LED of outdoor unit control board as shown in the table.
- If more than two troubles occur simultaneously, lower number of error code is first displayed.
- After error occurrence, if error is released, error LED is also released simultaneously.

Error Display

- 1st,2nd,3rd LED of 7-segment indicates error number, 4th LED indicates unit number. Indicates unit number.
(* = 1:Master, 2 : Slave 1, 3 : Slave 2)

Ex) 211 : No.21 error of master unit
 213 : No.21 error of slave2
 1051 : No.105 error of master unit



※ Refer to the DX-Ventilation manual for DX-Ventilation error code

Display		Title	Cause of Error
Indoor unit related error	0 1 -	Air temperature sensor of indoor unit	Air temperature sensor of indoor unit is open or short
	0 2 -	Inlet pipe temperature sensor of indoor unit	Inlet pipe temperature sensor of indoor unit is open or short
	0 3 -	Communication error : wired remote controller ↔ indoor unit	Failing to receive wired remote controller signal in indoor unit PCB
	0 4 -	Drain pump	Malfunction of drain pump
	0 5 -	Communication error : Indoor communication PCB ↔ indoor unit	Indoor Unit PCB did not receive signal from Indoor communication PCB for over 3 minutes continuously
	0 6 -	Outlet pipe temperature sensor of indoor unit	Outlet pipe temperature sensor of indoor unit is open or short
	0 9 -	Indoor EEPROM Error	In case when the serial number marked on EEPROM of Indoor unit is 0 or FFFFFFFF
	1 0 -	Poor fan motor operation	Disconnecting the fan motor connector / Failure of indoor fan motor lock
	2 3 0	Refrigerant leakage sensing error	Refrigerant leakage sensing error and sensor defect error
	2 3 7	Communication defect in indoor communication PCB ↔ outdoor communication PCB	Indoor communication PCB did not receive signal from outdoor communication PCB for over 3 minutes continuously
2 3 8	Communication error in outdoor communication PCB ↔ outdoor unit	Outdoor communication PCB did not receive communication signal from outdoor unit for over 3 minutes continuously	



P/NO : MFL69041302