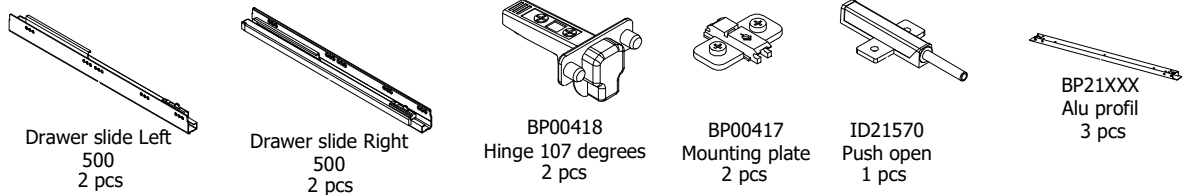
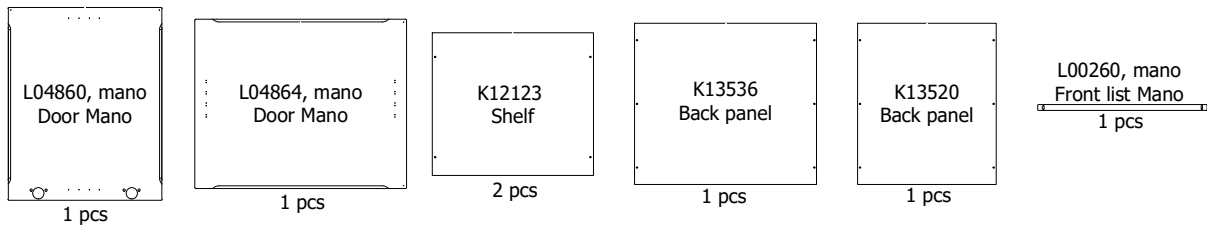
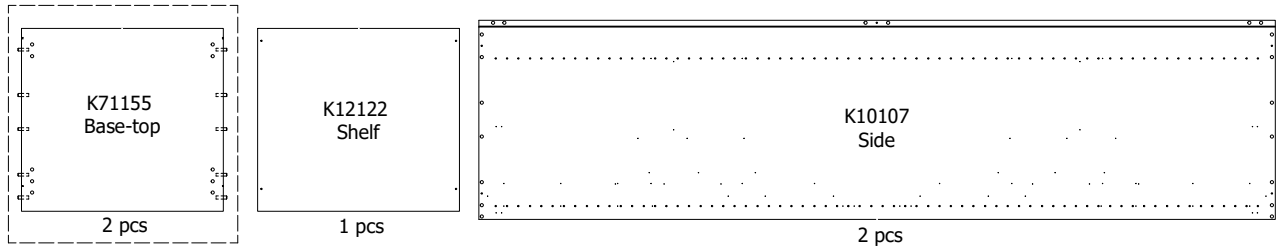


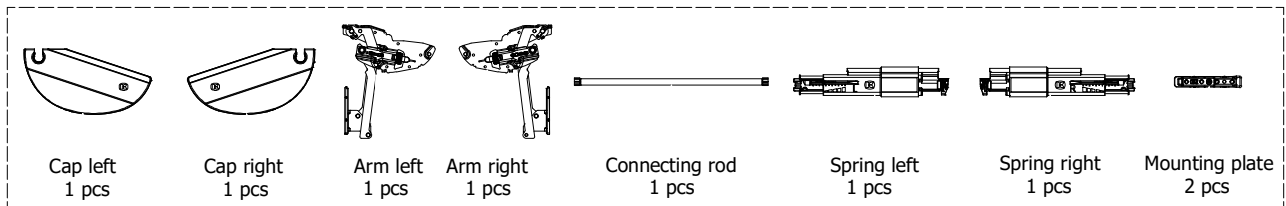
kvik

MH969,060

DH196,060,000



H00060 EWIVA



[BP00020]-BP00032-BP00033-BP00491(2x)-BP01906

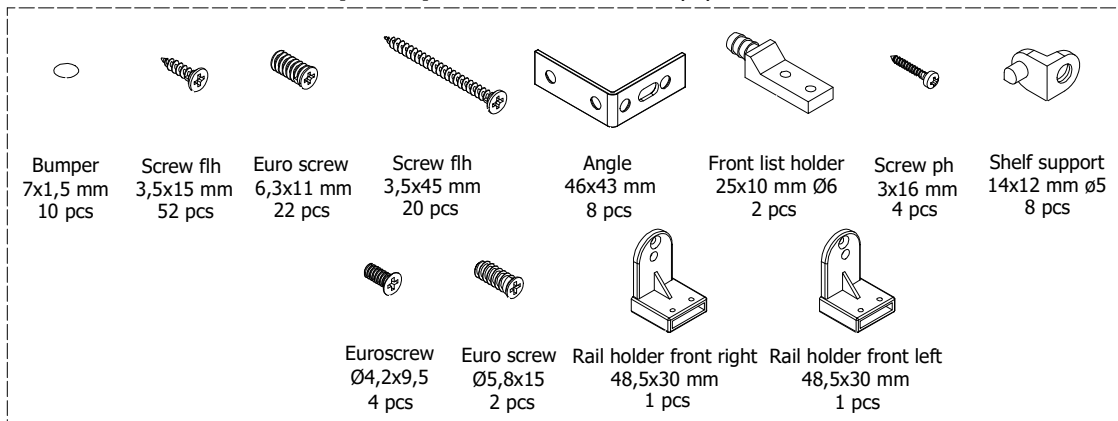


FIG. 1

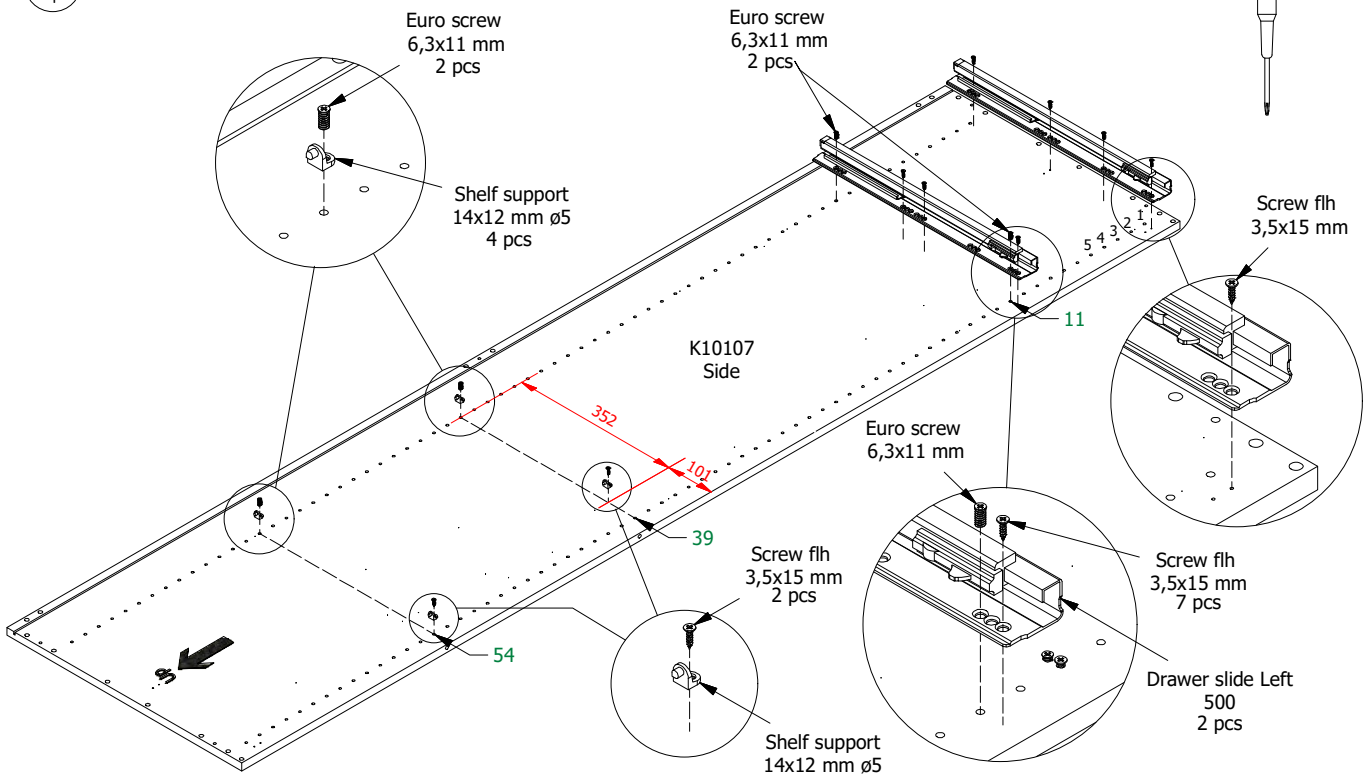


FIG. 2

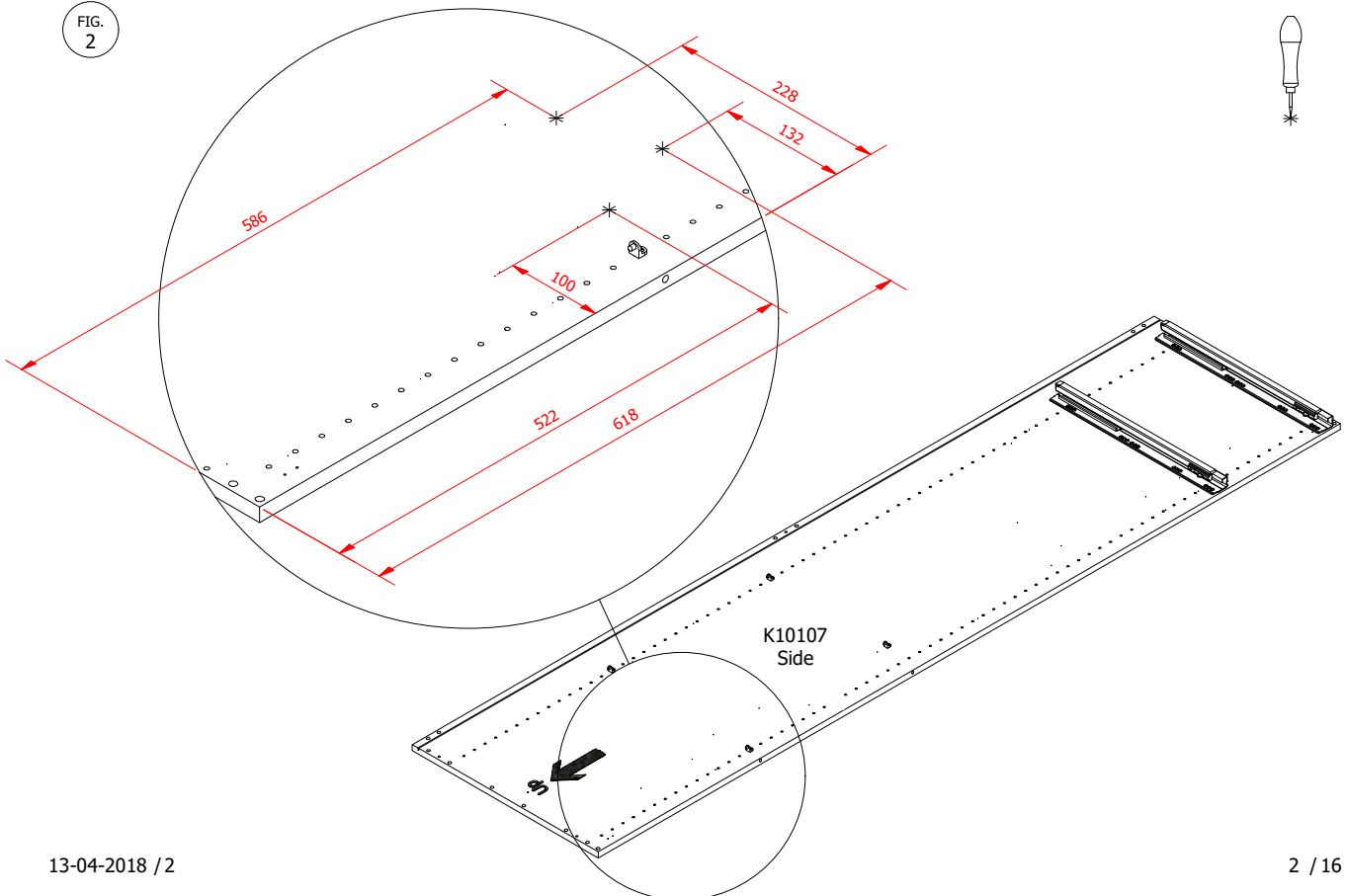


FIG. 3

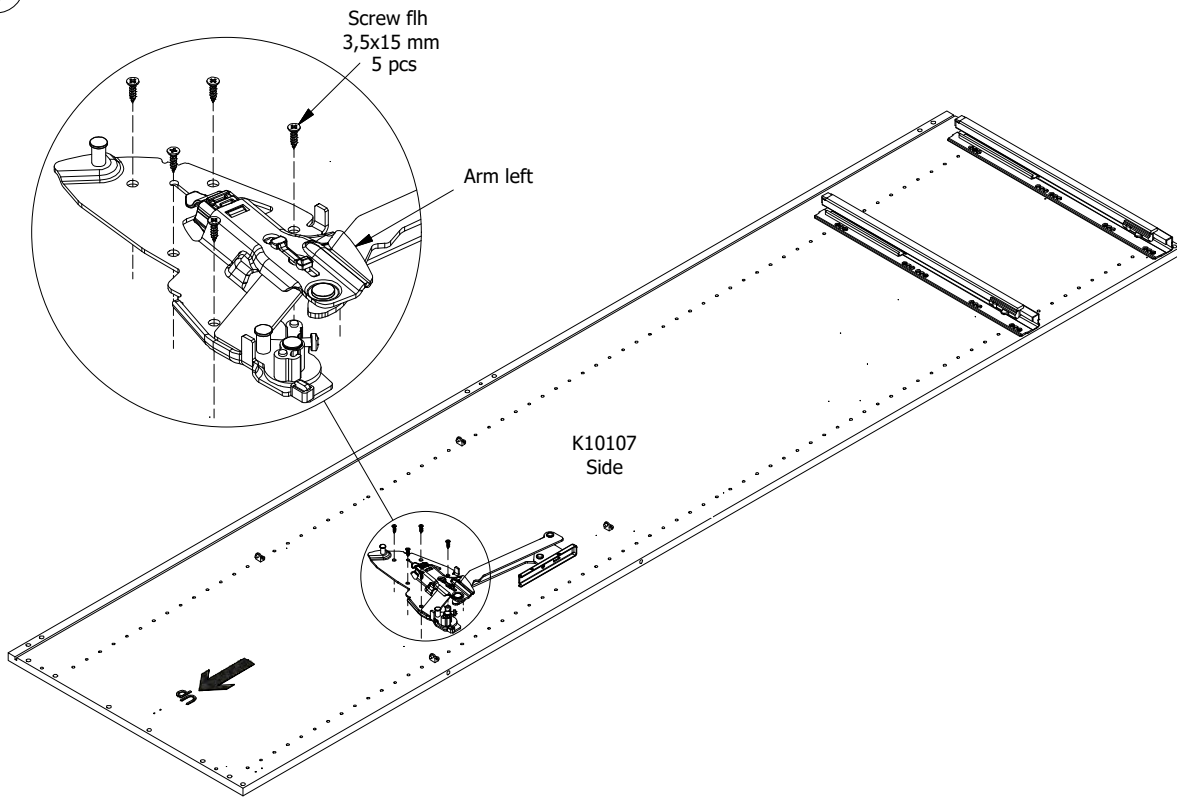


FIG. 4

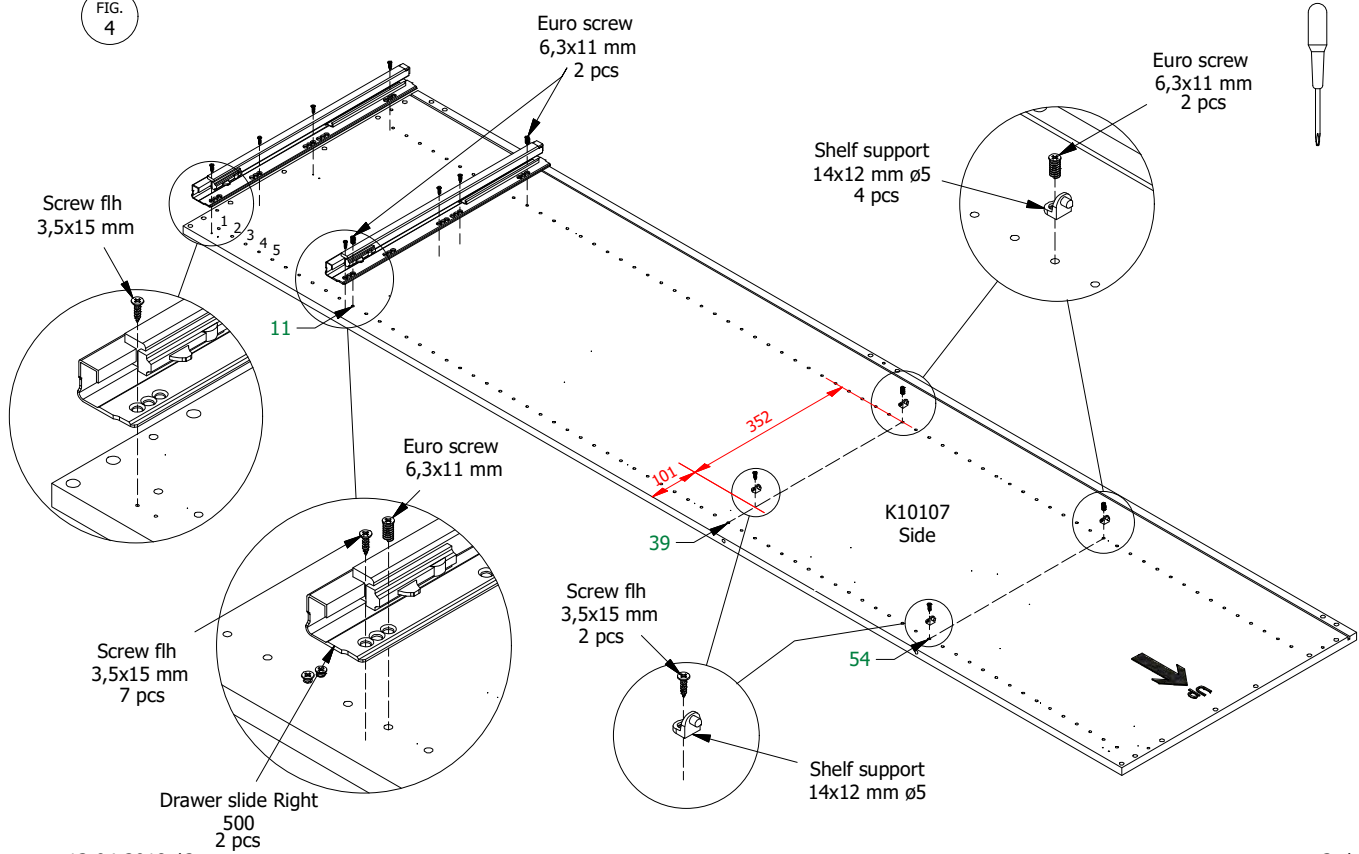


FIG. 5

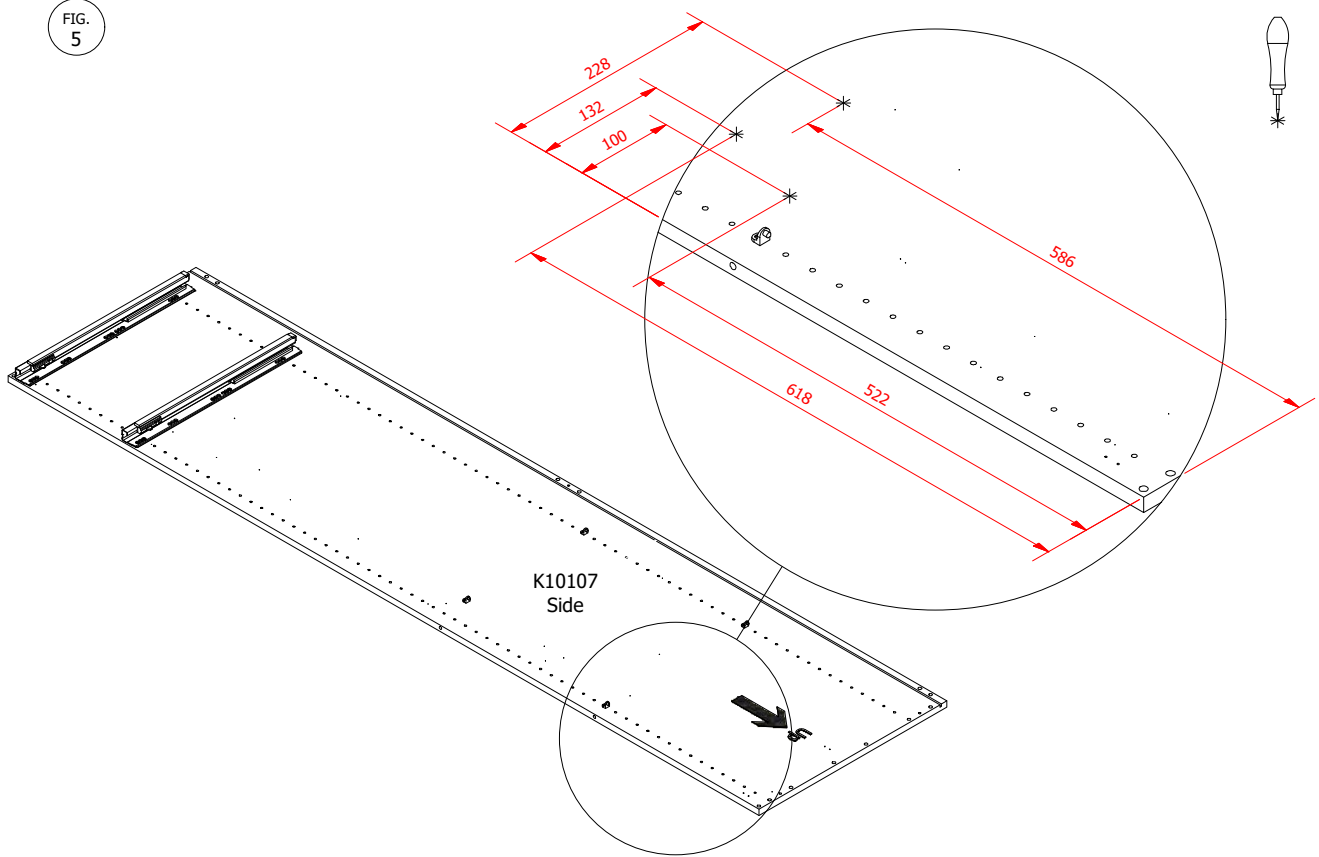


FIG. 6

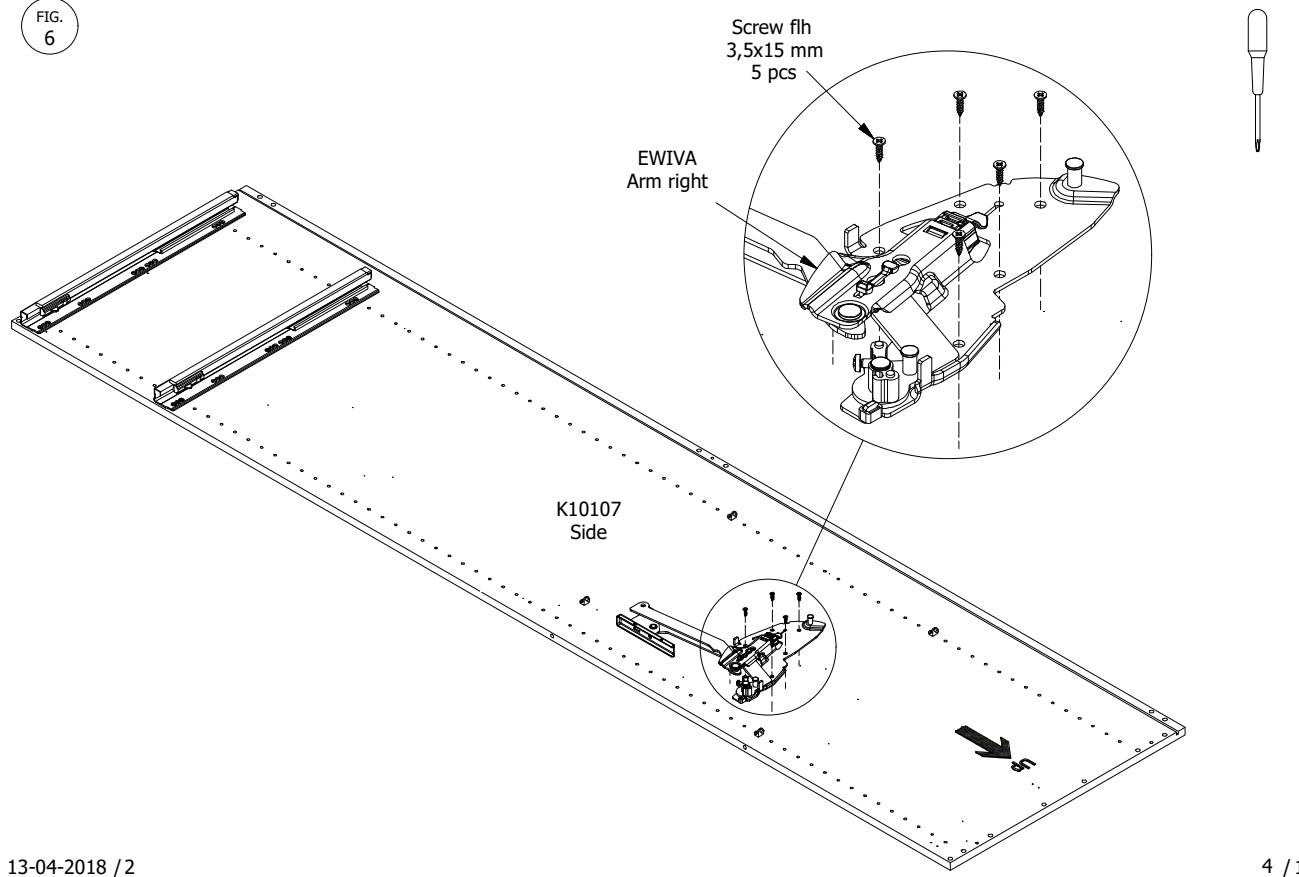


FIG. 7

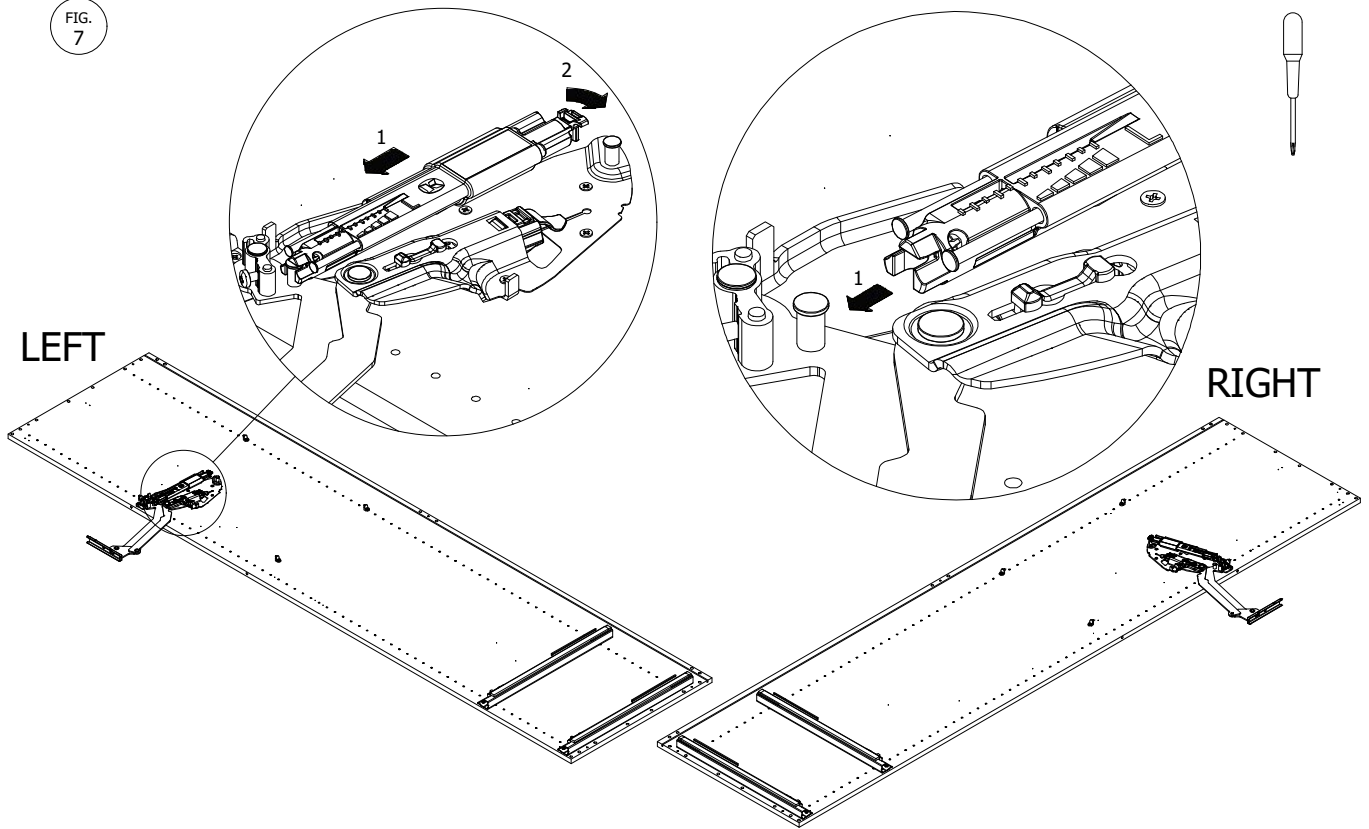


FIG. 8

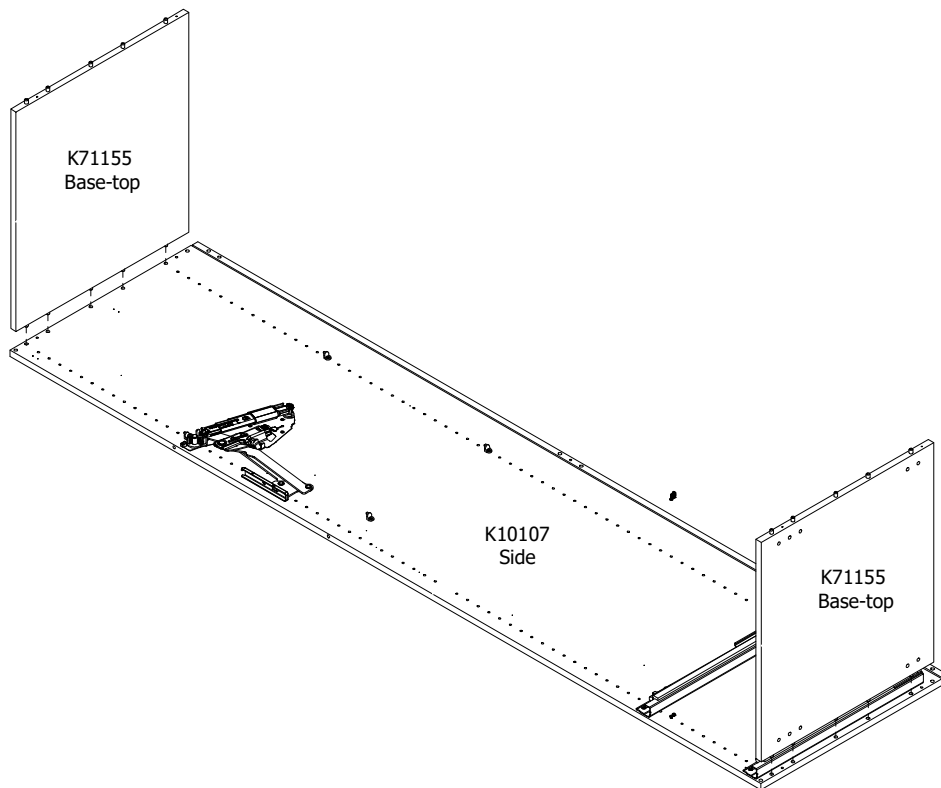


FIG. 9

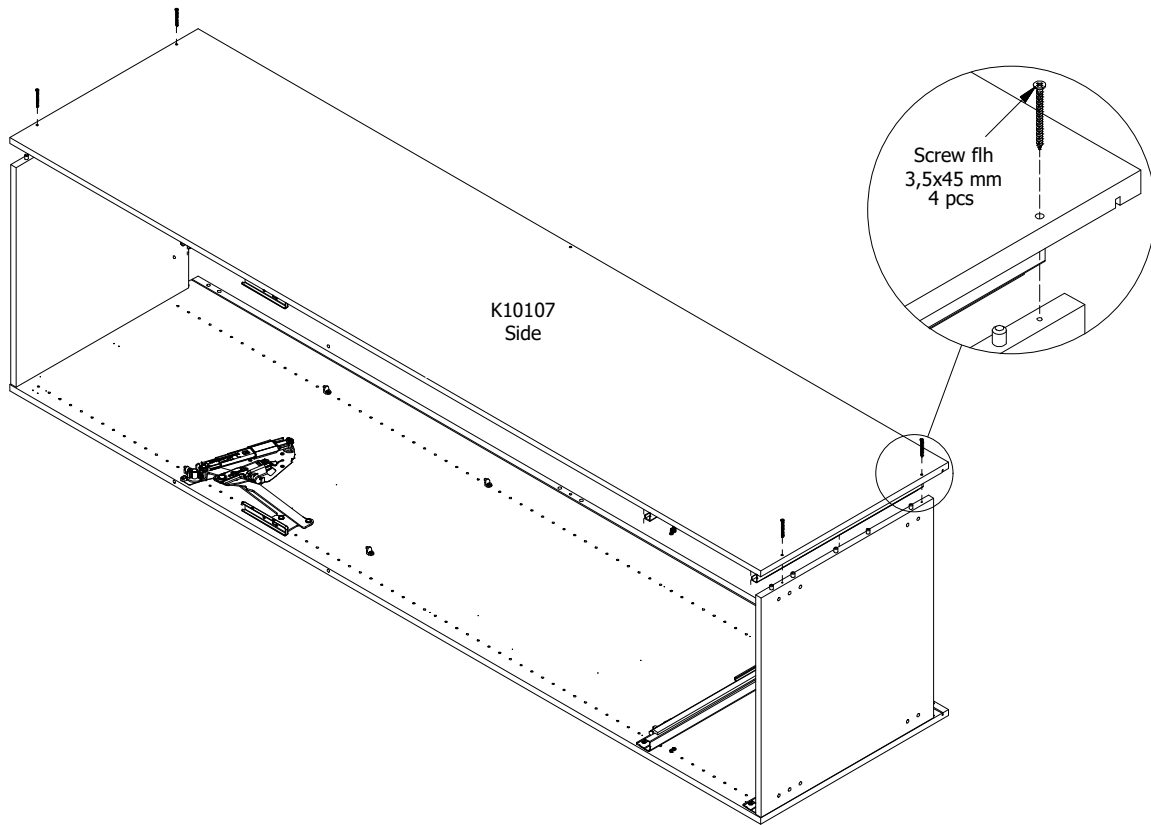


FIG. 10

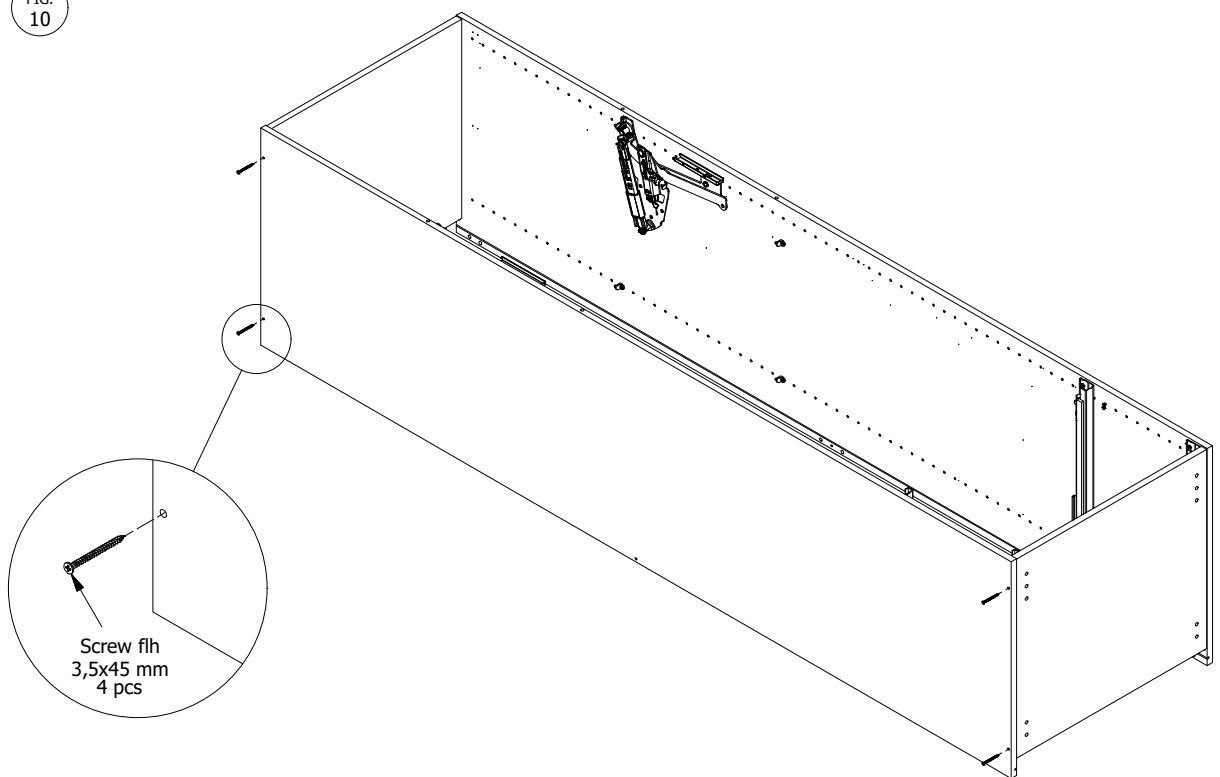


FIG. 11

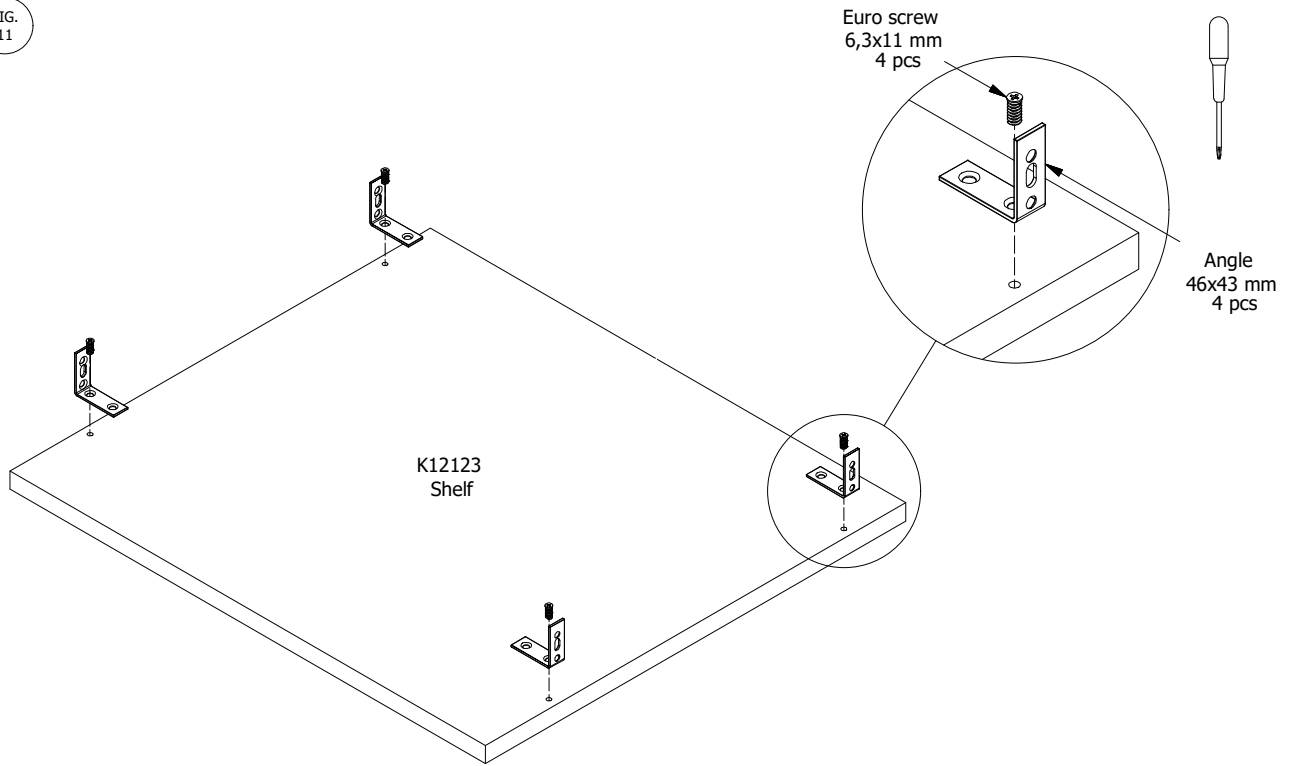


FIG. 12

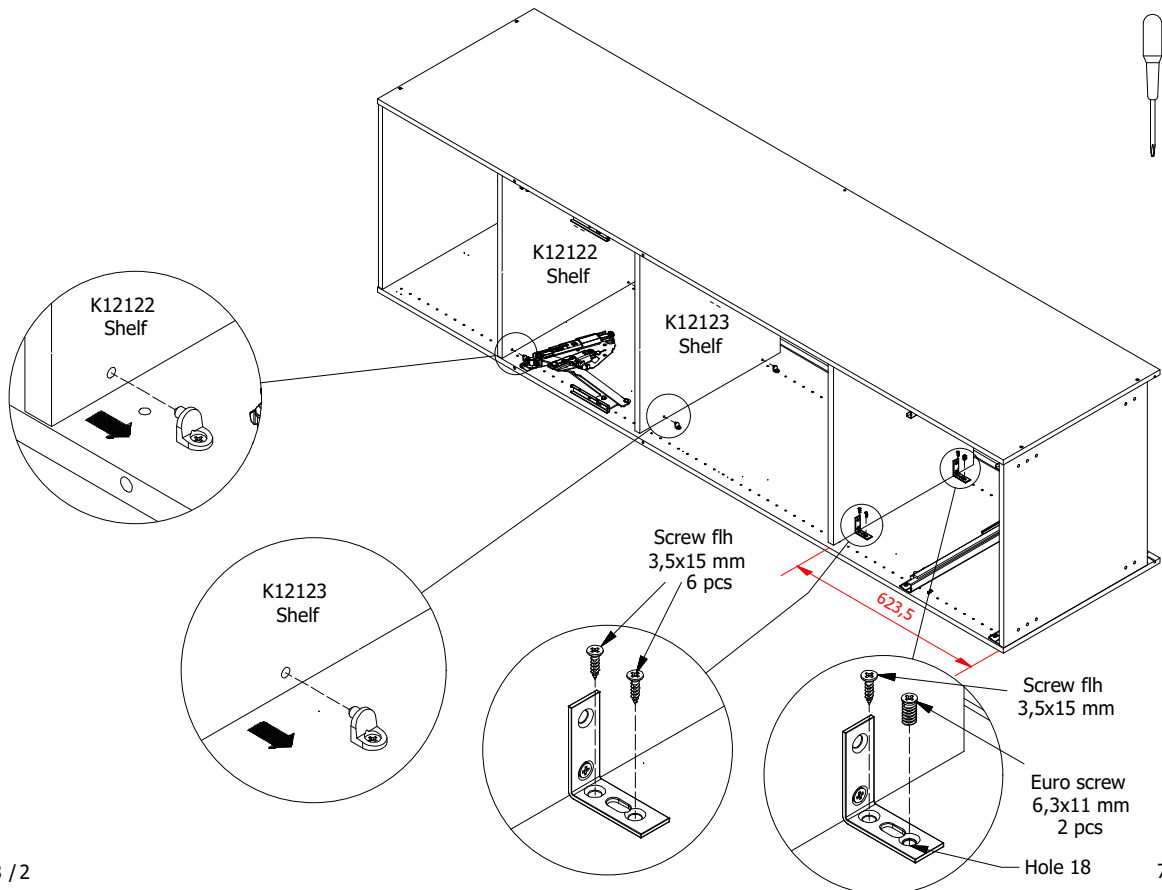


FIG. 13

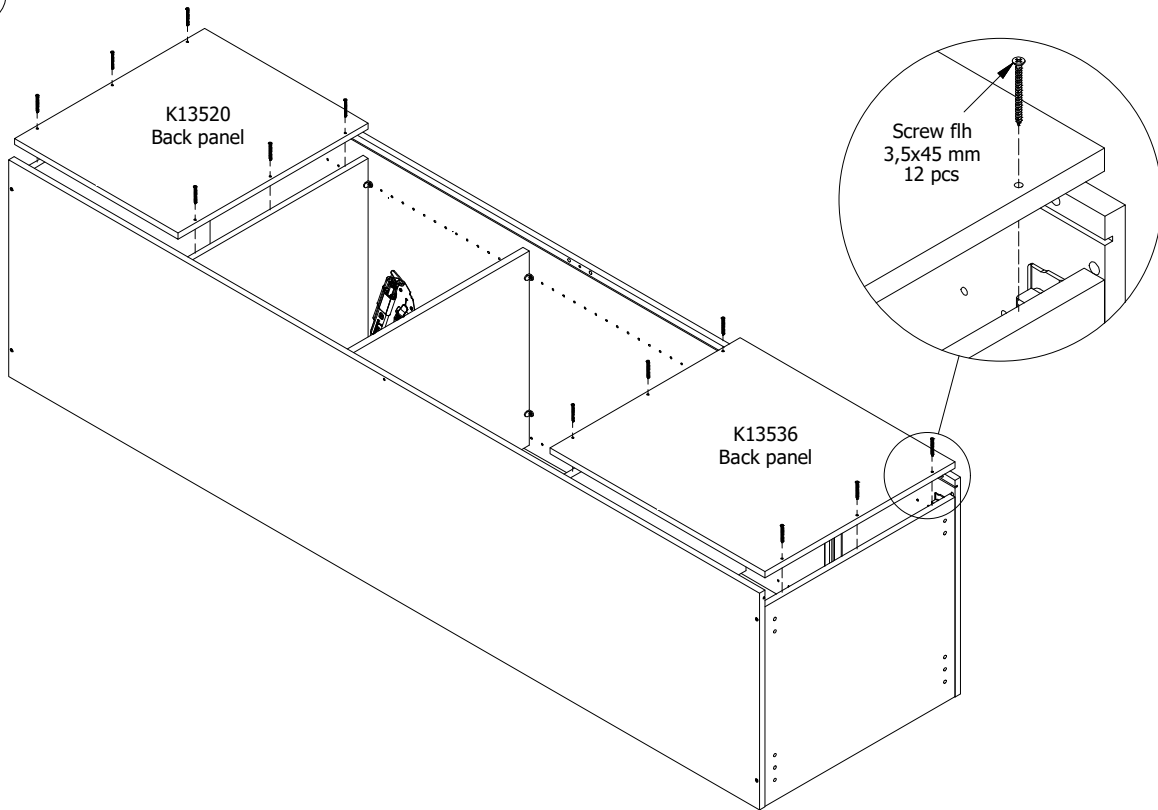


Fig 14

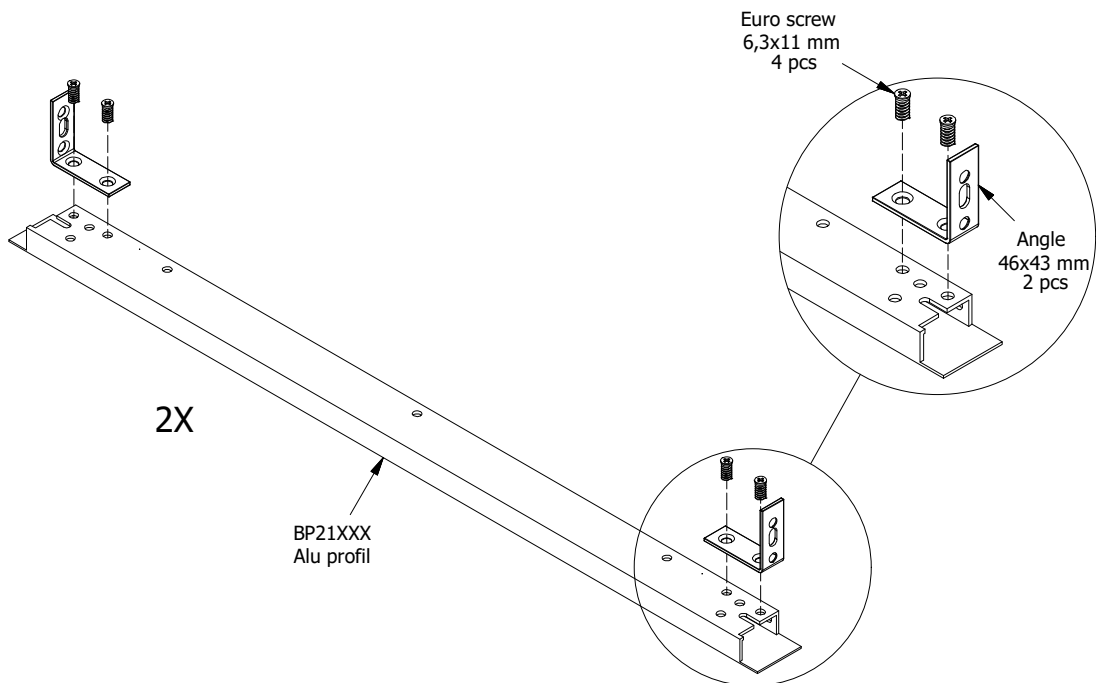


Fig 15

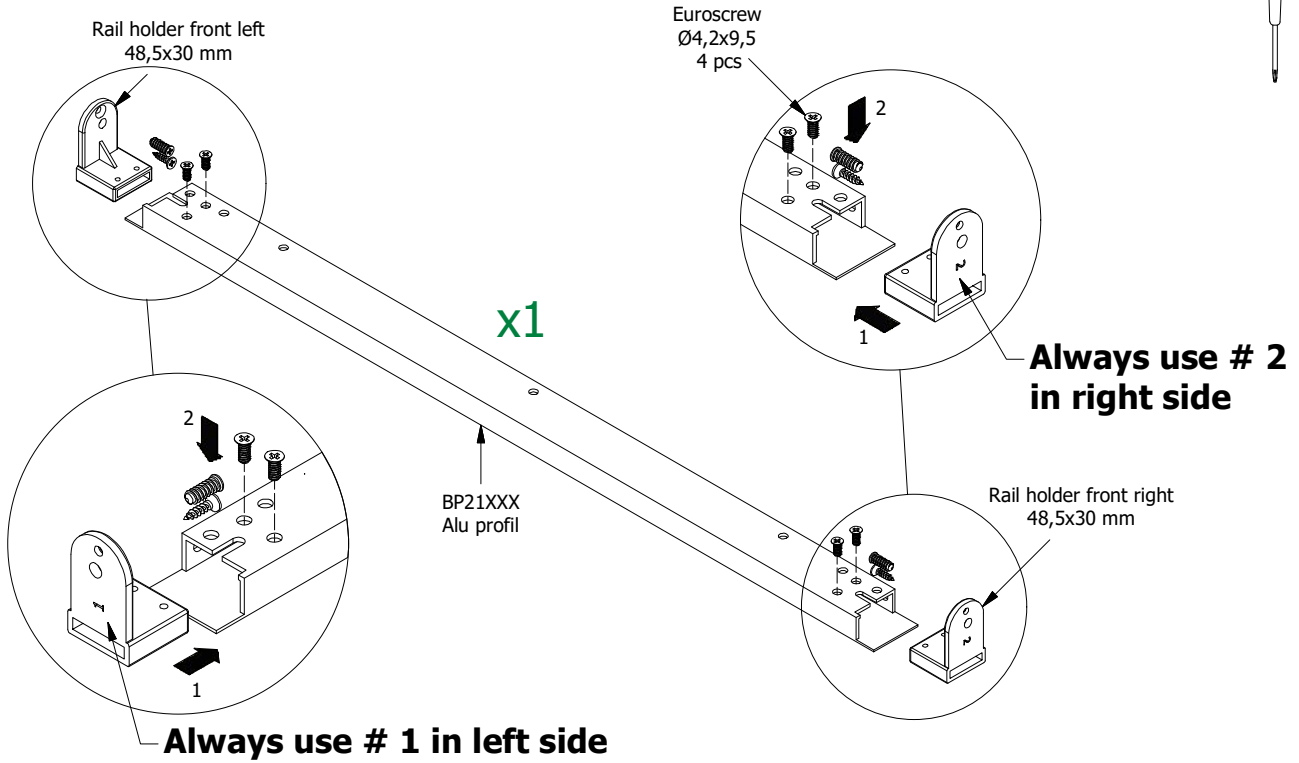


Fig 16

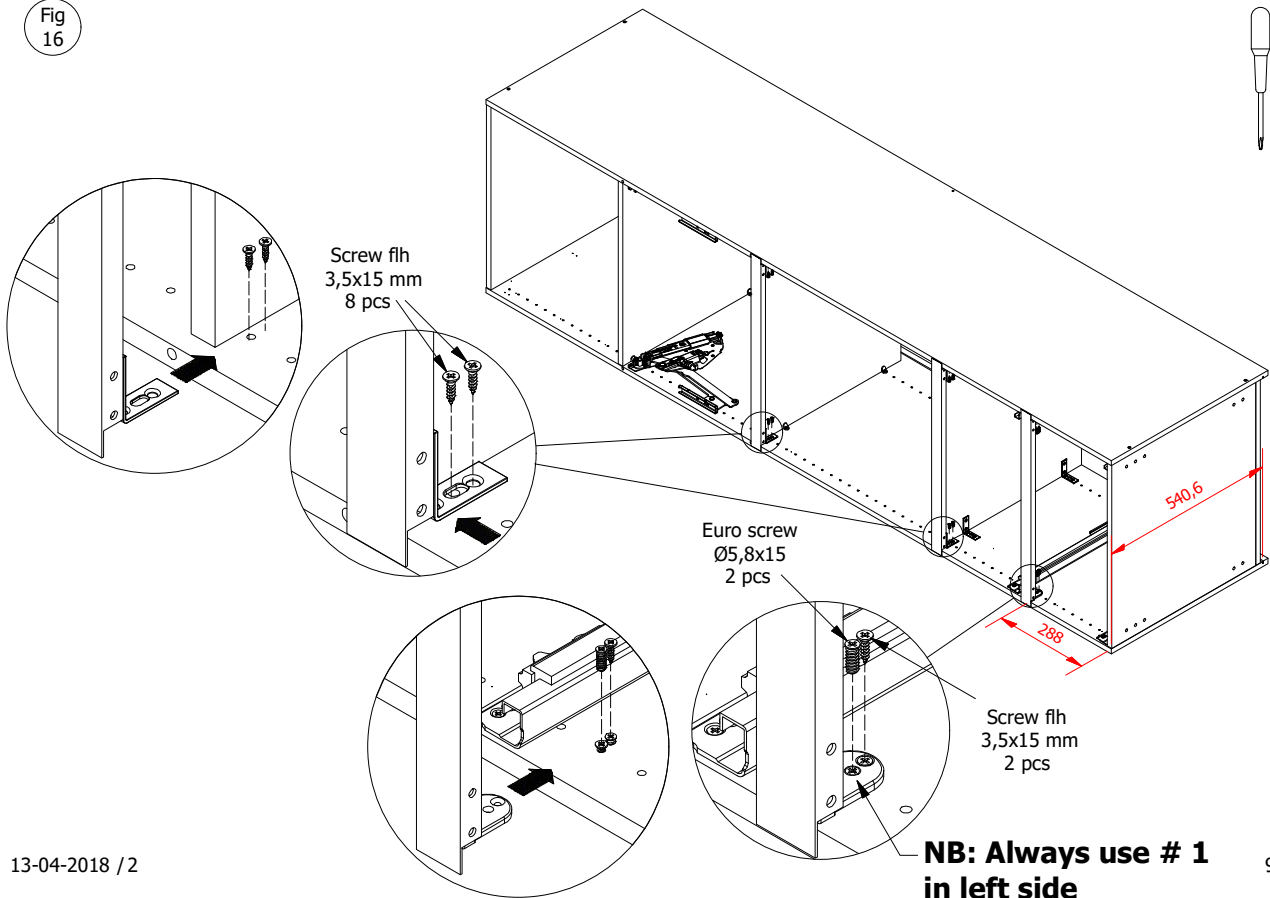


Fig 17

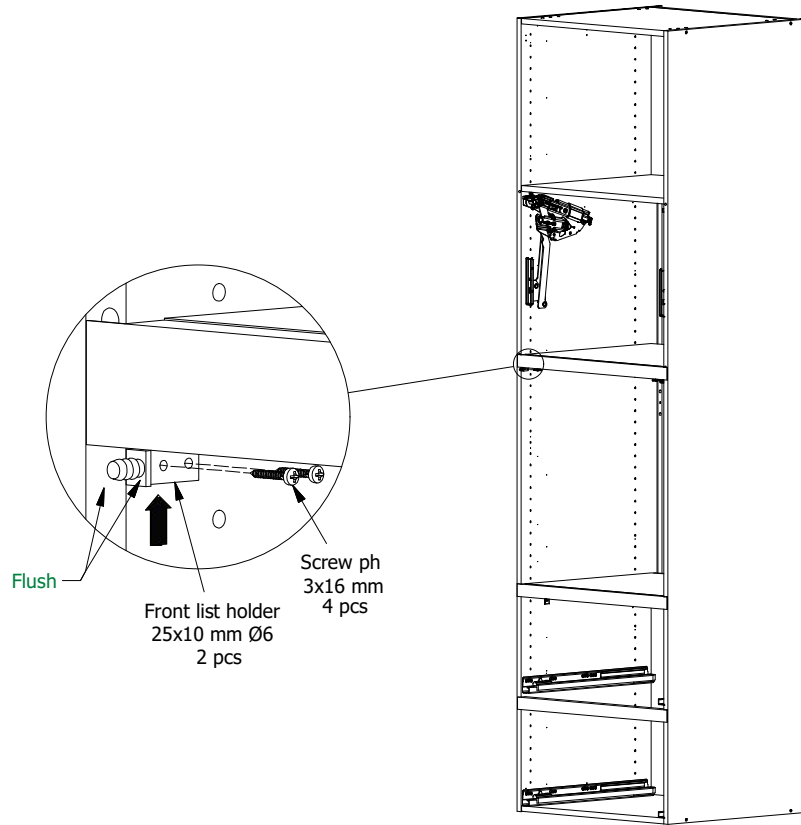


Fig 18

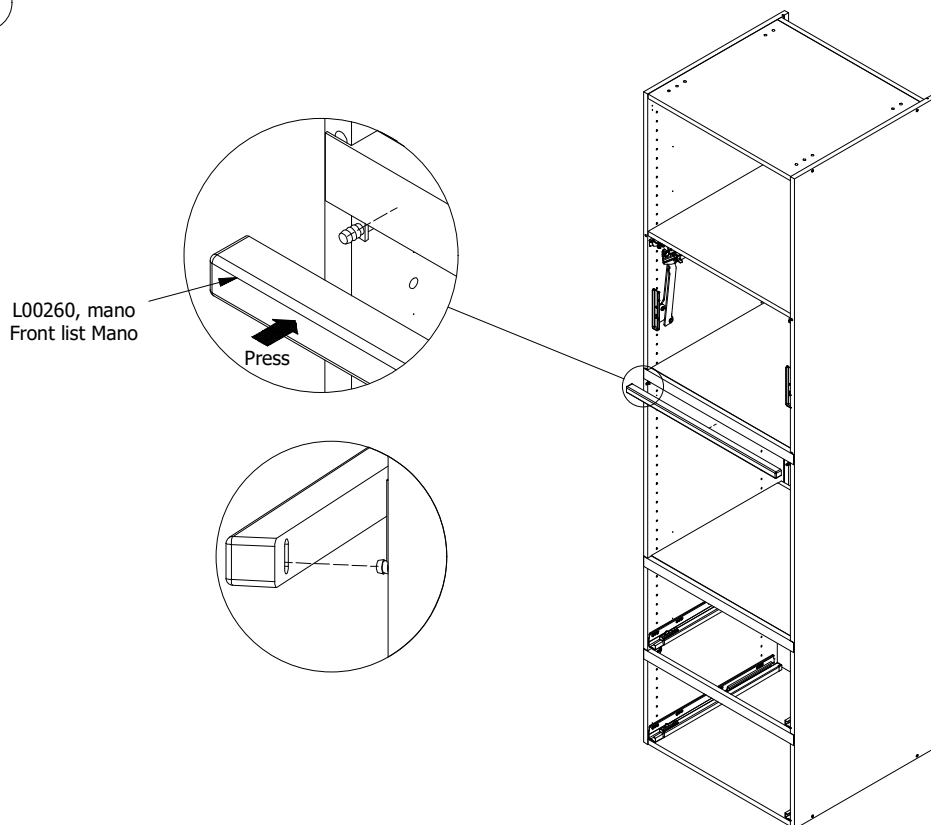


Fig 19

Adjustment

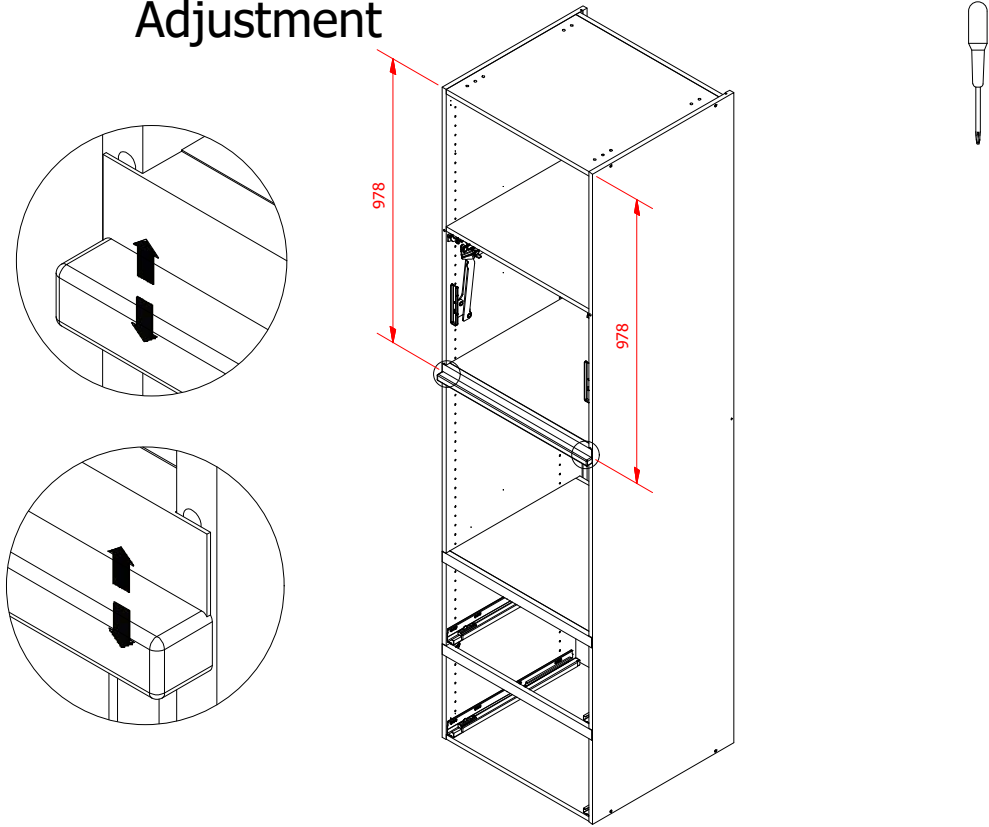


Fig 20

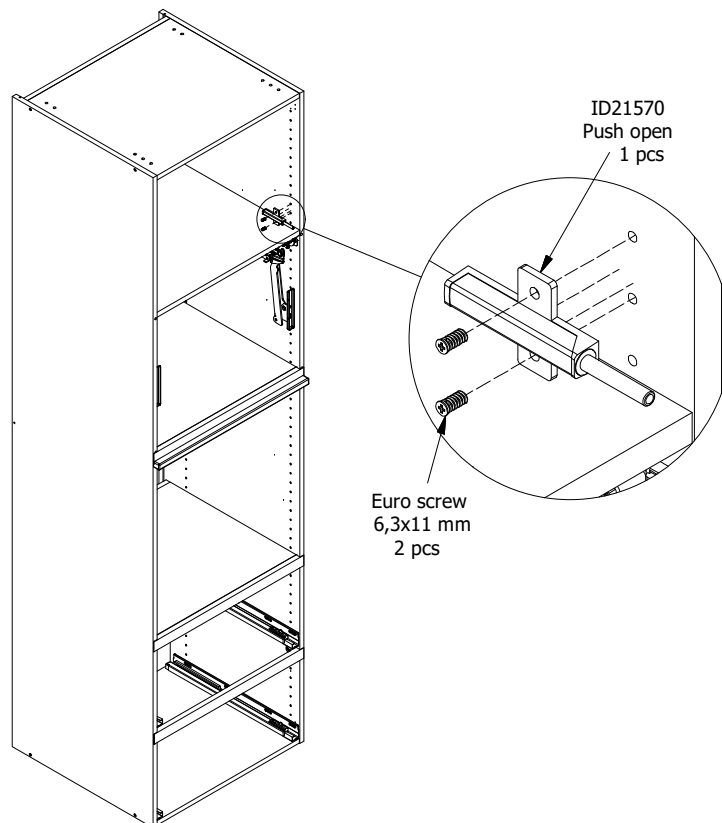
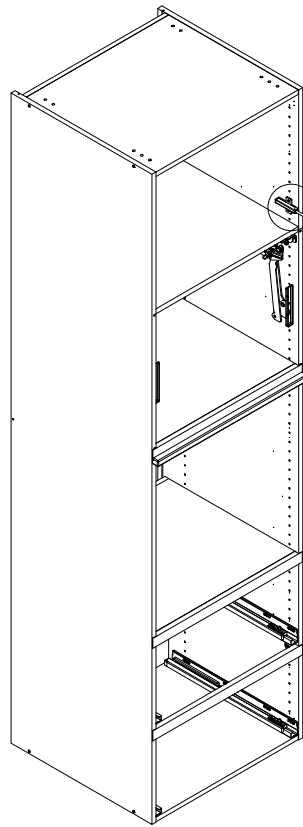


Fig 21



Adjustment

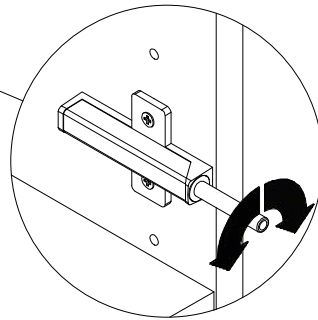


Fig 22

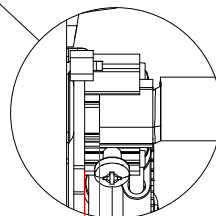
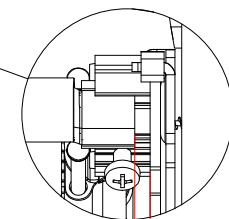
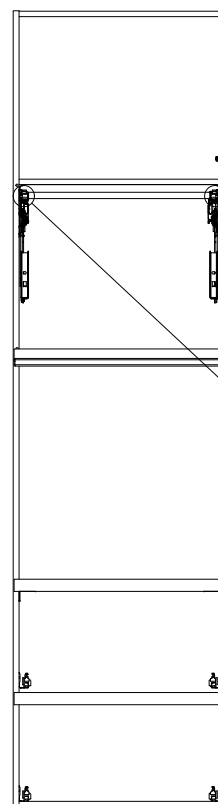
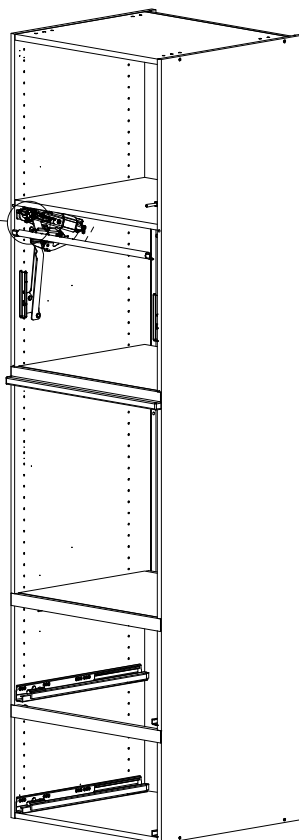
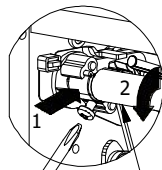
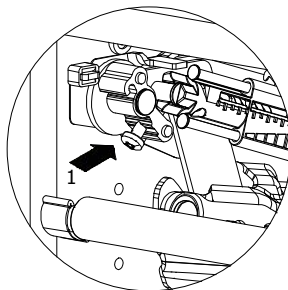


Fig 23

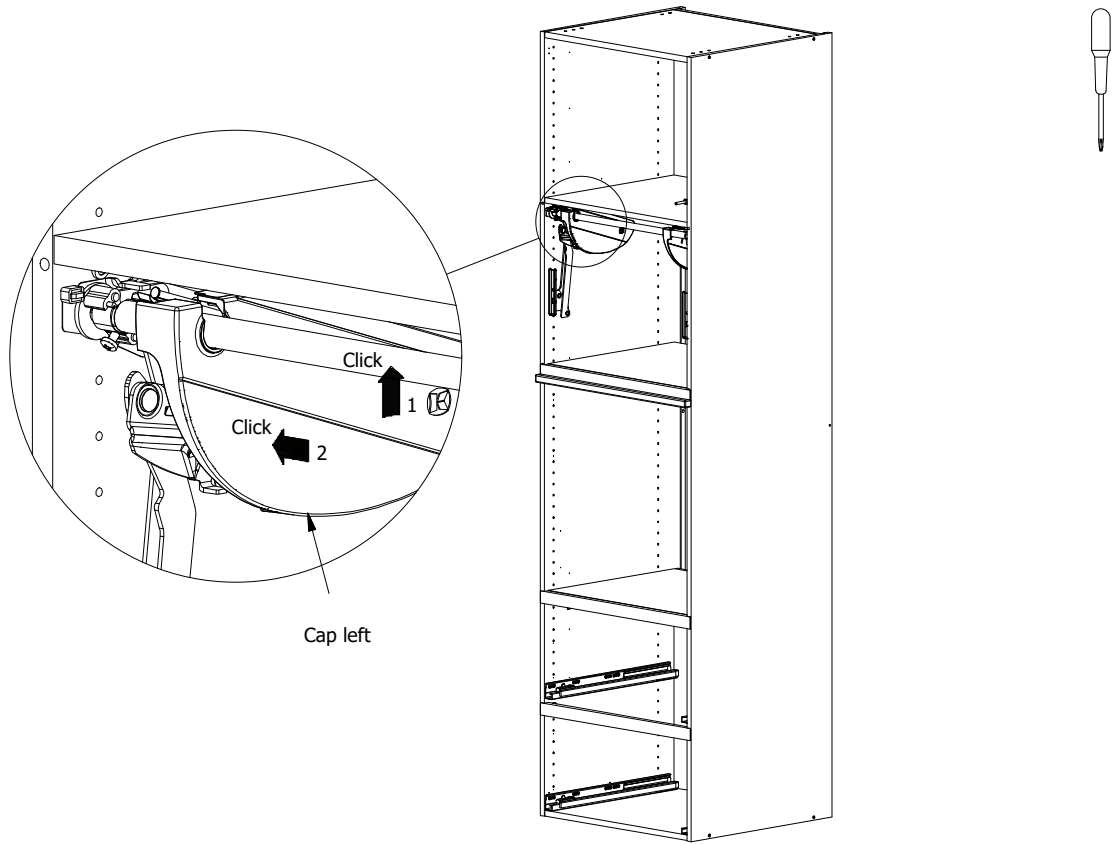


Fig 24

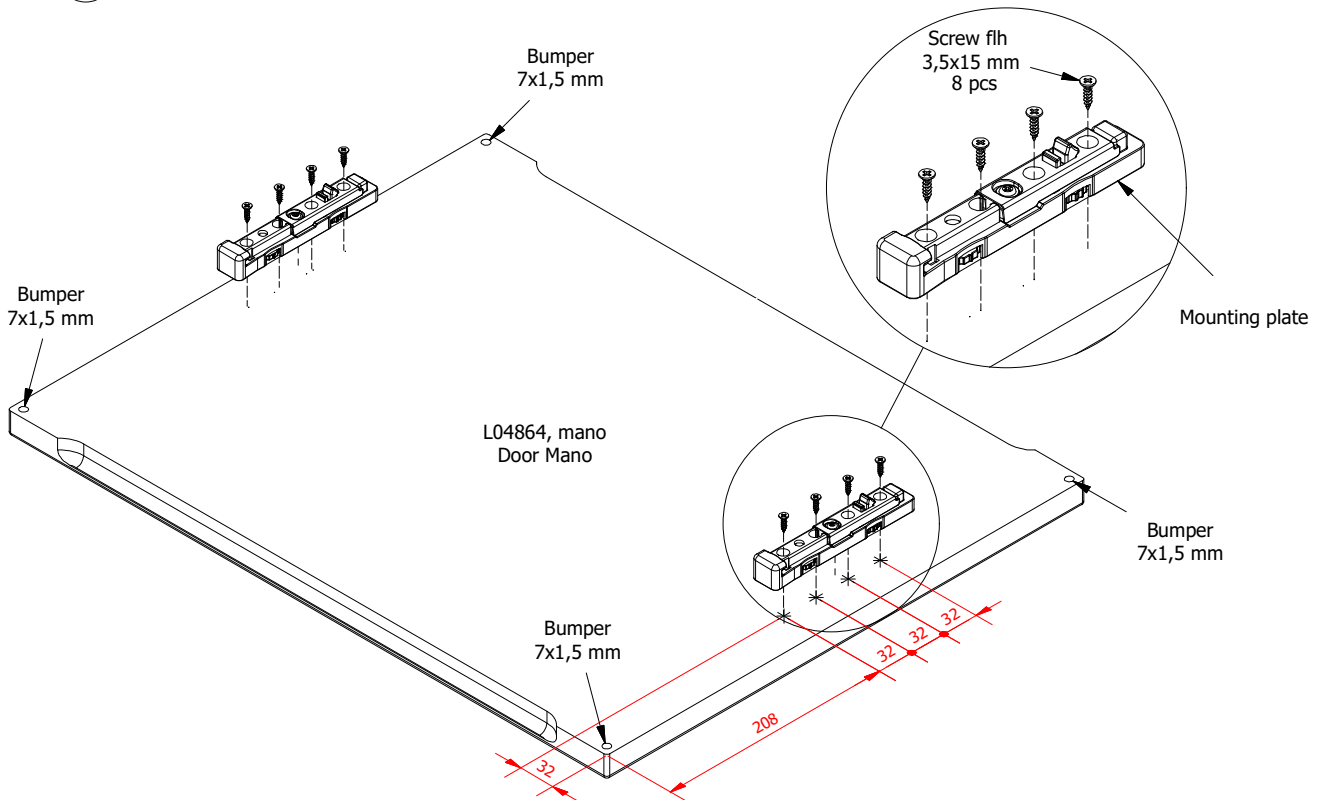


Fig 25

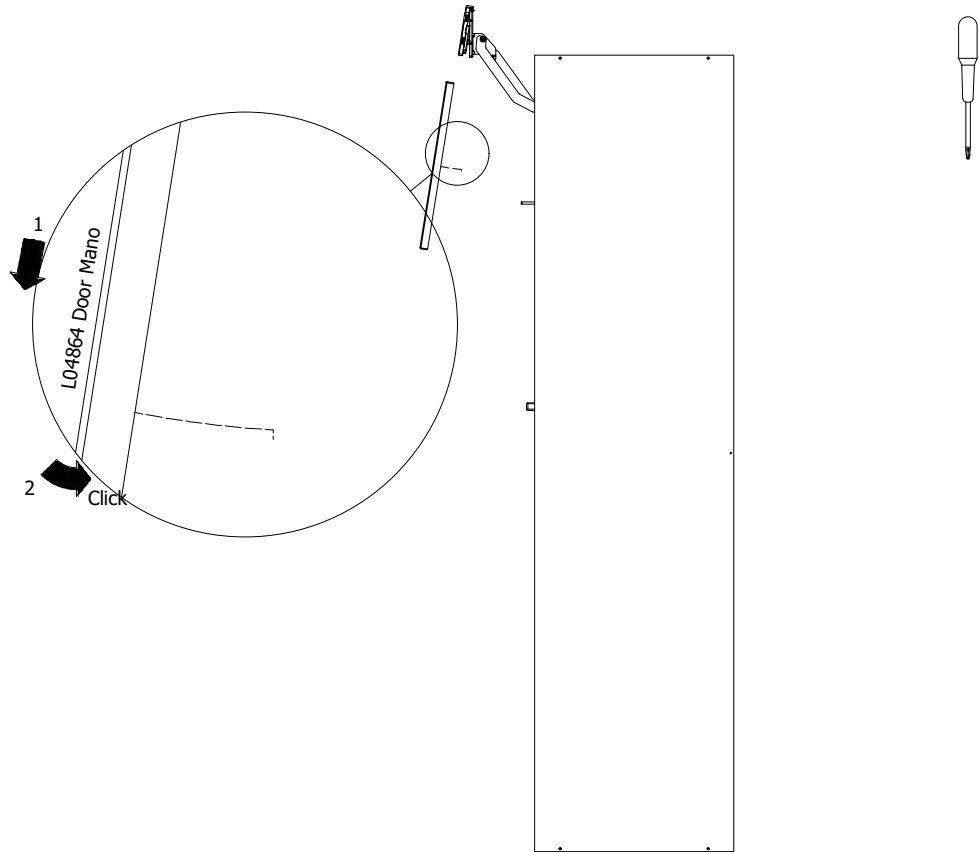


Fig 26

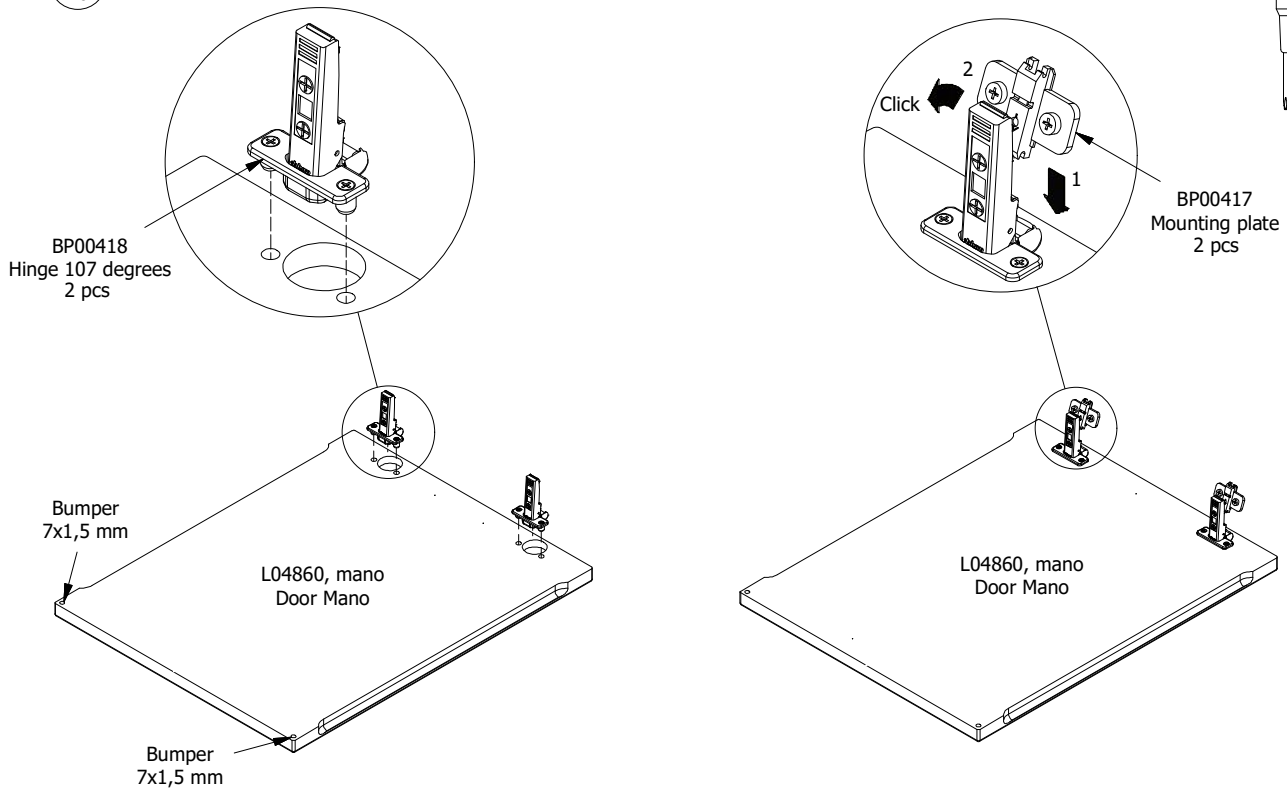


Fig 27

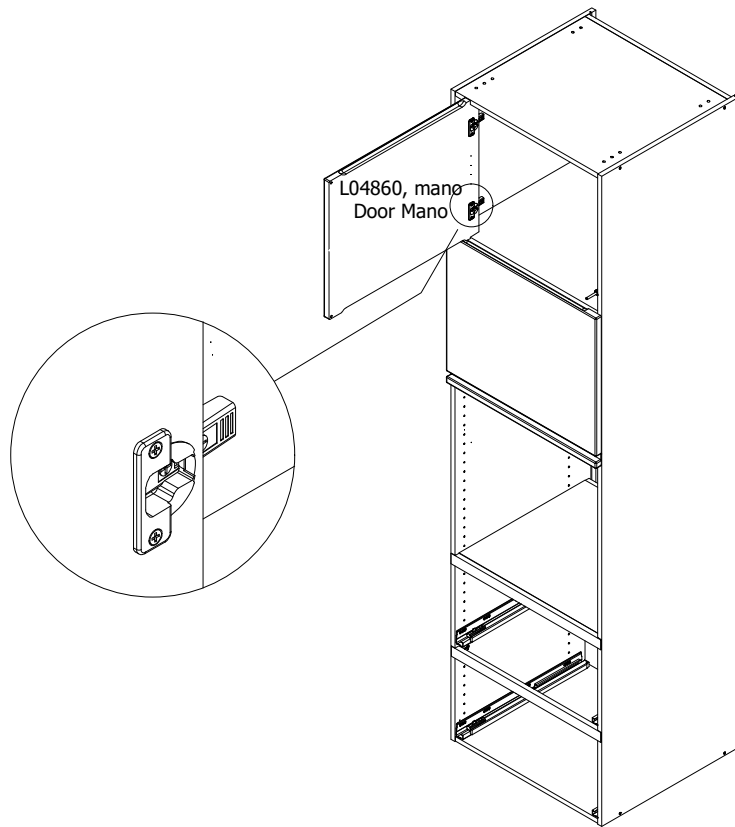


Fig 28

Adjustment

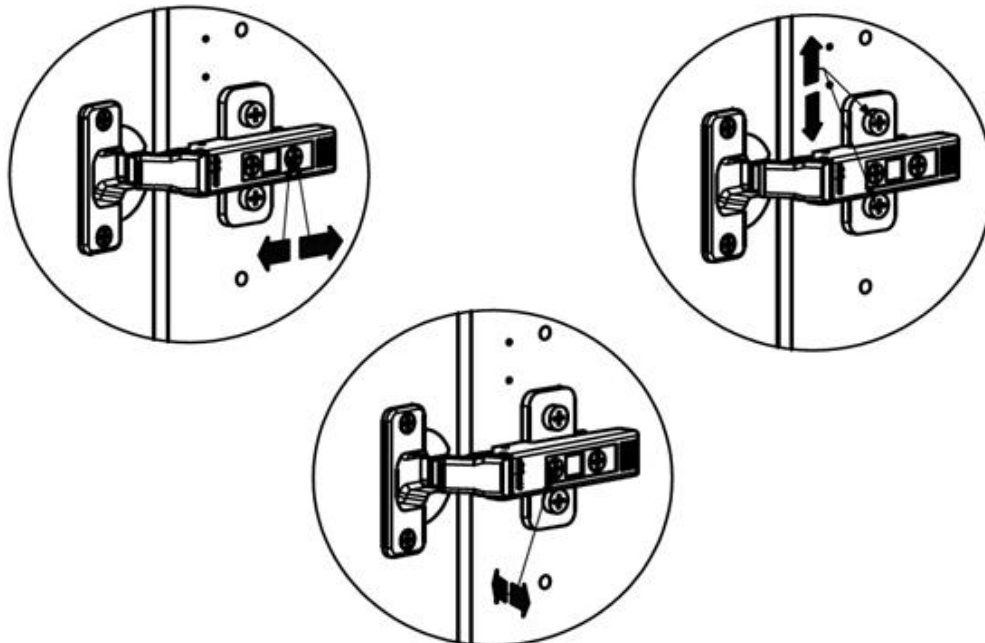


Fig
29

