

I N S T R U C T I O N S F O R
I N S T A L L A T I O N A N D U S E

SCAN 25/25-5

Krog Iversen & Co. A/S - DK-5492 Vissenbjerg



Declaration of Conformity

Manufacturer:
Krog Iversen & Co. A/S
DK - 5492 Vissenbjerg

Product:
SCAN 25

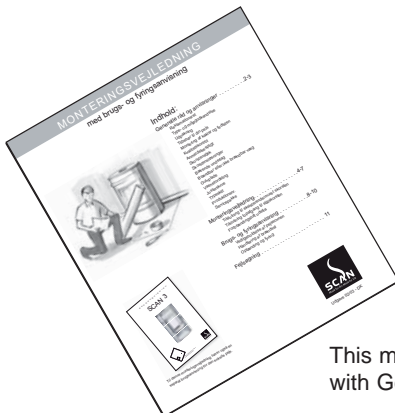
Description of product:
Room heater for closed operation

This product complies with the requirements
of the directive
CPD 89/106/EEC

Applied to harmonized standard EN 13240

Signature: 
Managing director Henning Krog Iversen

Approved according to EN 13240 2003



This manual is accompanied by a pamphlet
with General Instructions for Installation.

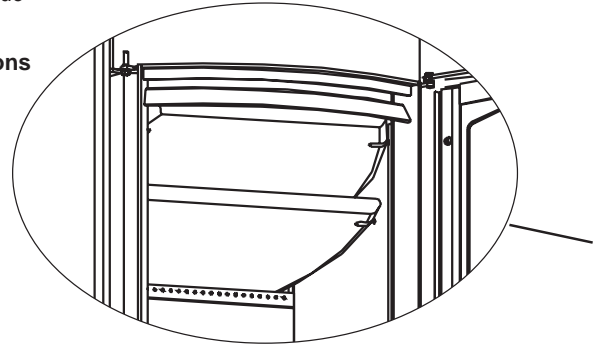


Edition 12.05 - GB

Congratulations on your new SCAN stove!

You have chosen a product from one of Europe's leading manufacturers of wood-burning stoves. We are convinced that your stove will be to your full satisfaction and give you many hours of pleasure if you follow the advice and instructions of this manual.

Please read this manual as well as the **General Instructions for Installation** before beginning the installation.

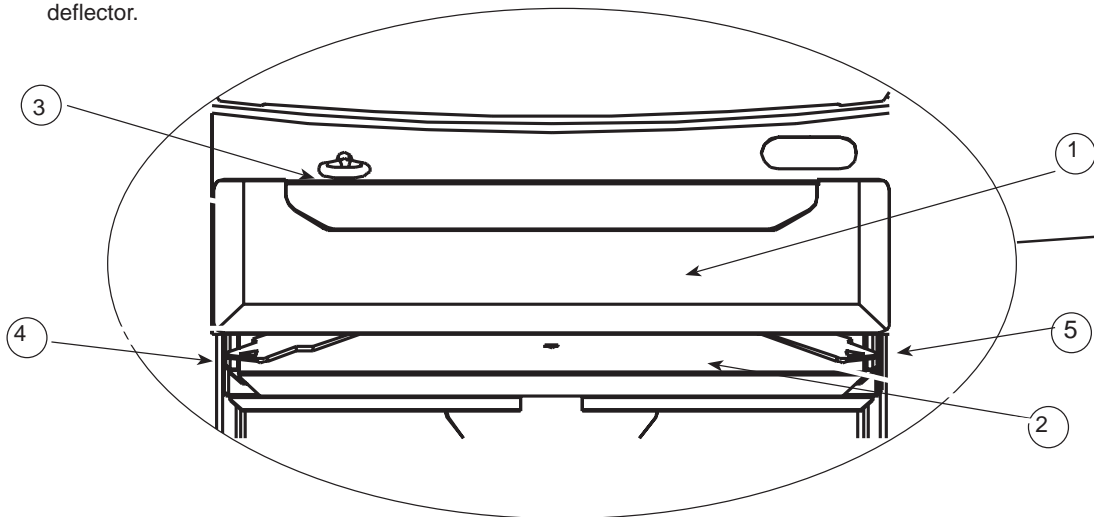


Clean combustion

The SCAN 25 uses the "CB technique" (Clean-Burn) to ensure an optimally clean combustion. The extra combustion air is preheated and led into the combustion chamber close to the ceramic smoke deflector.

Ceramic smoke deflectors

Lift up the lower ceramic smoke deflector, pull out the pins in the lateral combustion chamber plates and remove the deflector. The upper deflector is removed in the same way.



1 **Ashtray.** When you open the door, you have access to the ashtray, which is placed below the combustion chamber. **Attention! Be careful when you empty ashes from the stove. There may be embers left for up to 24 hours after the stove was last used.**

2 **Lid for ashtray.** Under the ashtray you will find a lid to put on top of the ashtray when you carry it out for emptying.

3 **Handle for shaking grate.** The stove is equipped with a shaking grate. When you activate the grate handle, the ashes from the combustion chamber are emptied into the ashtray.

4 **Regulation for primary air.** Push the button sideways. Left position is closed and right position is open. The primary air is used when lighting and refuelling the stove. It should always be closed during continuous firing.

5 **Regulation for combustion air.** Push the button sideways. Left position is closed and right position is open. The air is used for combustion and regulates the output of the stove.

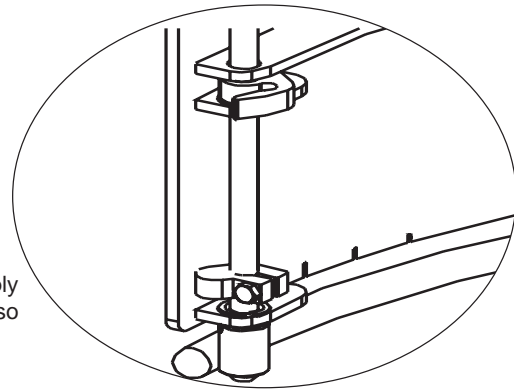
The ashtray, shaking grate, and primary air should always be closed during continuous firing.

Accessories

For this model you can have the following accessories:

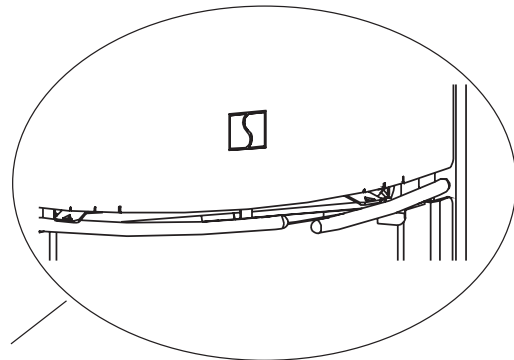
- Special elbow with wall sleeve and cover ring for SCAN 25 with revolving base (see separate instructions)
- Special adaptor for steel chimney for SCAN 25 with revolving base (see separate instructions)
- Shaped floor plate (steel or glass)
- Connection piece for fresh-air intake (with firm base)

The stove (with firm base) can be prepared for an external air supply where fresh air is let directly into the combustion chamber (can also be done subsequently by the authorized dealer).



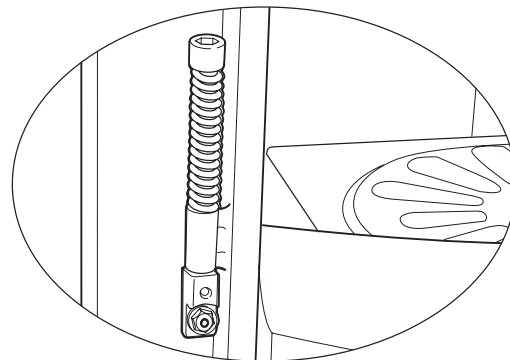
Adjustment of the handle

The handle can be loosened and adjusted at the lower closing hook with a hexagon spanner.



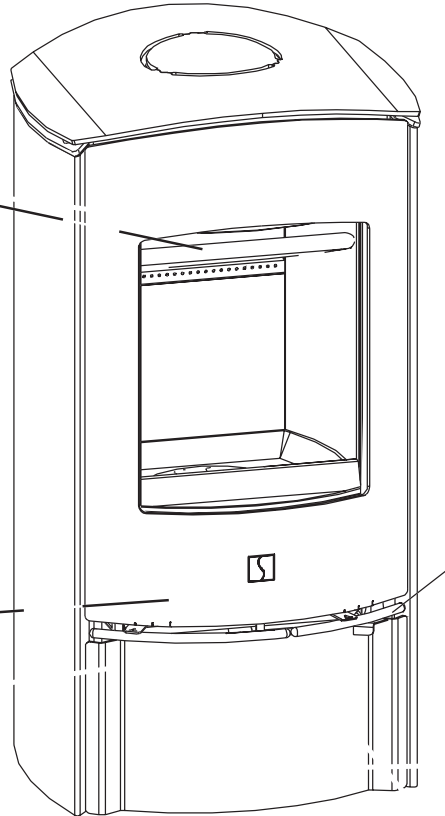
Handle

The handle is elegantly integrated on the moulding below the door. Pull out the handle to



Self-closing door (BA 1)

The door is prepared with a self-closing function at the factory. If you tighten the spring with the hexagon spanner, the door will close automatically when you let go of it.



SCAN 25 with revolving base (SCAN 25-5)

Mounting with elbow:

See separate instructions delivered with the stove.

Mounting with direct connection to steel chimney:

Should only be done in accordance with the instructions from an authorised SCAN dealer. See separate instructions delivered with the stove.

The warranty is invalid if the above is not followed.

Adjustment of the air + fuel consumption (EN 13240):

Combustion air %	Primary air %	Max. fuel, kg	Fuel consumption, kg/h
90	60	2	2

Warranty conditions

All SCAN wood-burning stoves and inserts are made of first-class material and are subject to a strict quality control before they leave the factory. However, if an error should occur, we back all SCAN wood-burning stoves and inserts with an extensive, five-year limited warranty.

See also the **General Instructions for Installation** delivered with your stove for more details.

64.4.800

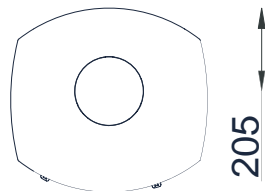
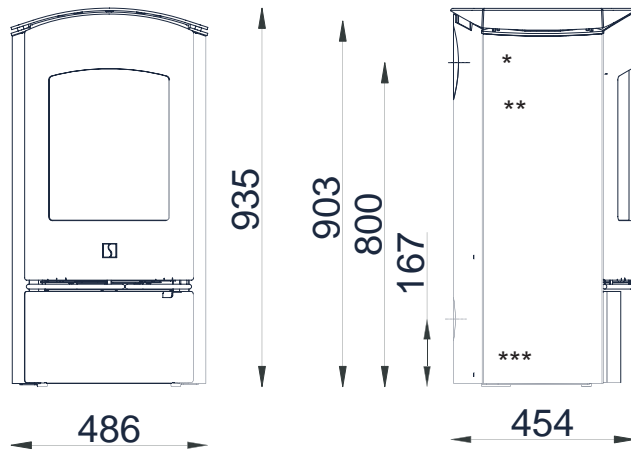
Production number



Write the production number of your stove here so that you have it at hand in case you need to contact us.

Technical info

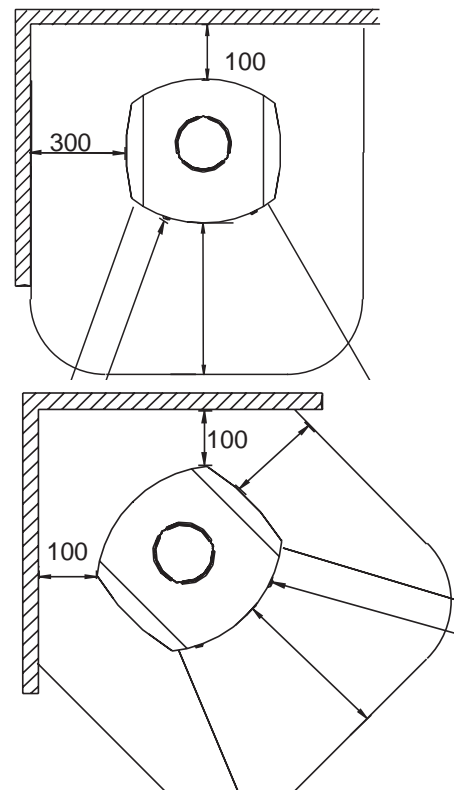
Emission (% CO at 13% O ₂):	0.08%
Efficiency:	84%
Rated output:	6 kW
Chimney temperature:	215 °C
Flue outlet flow:	5.0 g/sec
Recommended low pressure in conn. piece:	15 Pa
Recommended fuel:	Wood
Amount of fuel:	1,9 kg
Min./max. (information from the factory):	2-8 kW
Weight, stove with convection:	100 kg
Weight, stove with soap stone:	150 kg
Connection piece, int. diameter:	135 mm
Connection piece, ext. diameter:	148 mm



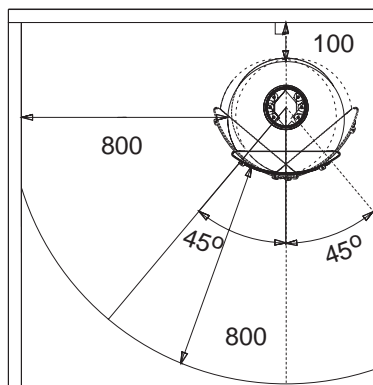
SCAN 25-5 with revolving base is 5 mm higher.

- * Height to the beginning of the flue pipe at top outlet
- ** To the middle of the rear outlet (only SCAN 25 with firm base)
- *** Connection piece to fresh-air intake

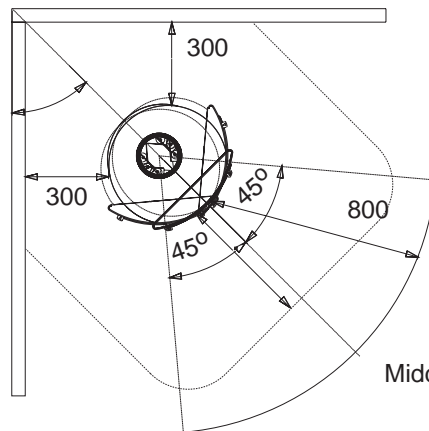
Distances to flammable materials (mm) SCAN 25 with firm base:



Distances to flammable materials: SCAN 25-5 with revolving base:



Middle position



Middle position

Important: SCAN 25-5 with revolving base: all distances to flammable materials must be observed in all the possible positions of the stove.