

INTRODUCTION

Congratulations on your new E1! The E1 is an innovative and fun personal transportation device, ready to take on everyday use. Before your first ride, check whether the wheels are damaged, or parts are loose. If there are any exceptions, please contact the service website:

www.koowheel.com

This product manual can help you understand, use, and maintain your E1. In order to avoid danger caused by collisions, falls, and loss of control, please use caution and learn how to ride the E1 safely. Koowheel and authorized dealers cannot be held liable for injury or damage caused from riding the E1. Falling, losing control, and collisions (including failure to obey the E1 manual) may cause injury. In order to minimize the risk, ensure you read the E1 manual carefully. Users ride at their own risk.

The user is responsible for consequences caused by violating warnings or improper operations.

If for any reason you want to return this product, please email us at www.koowheel.com before returning it to the store.

FEATURES & SPECS

MOTOR:	250W
MOTOR TYPE:	BRUSHLESS HUB
BATTERY:	25.55V,4.3Ah
CHARGING TIME:	UP TO 3 HOURS
MAX RANGE:	15 MILES
MAX SPEED:	14 MPH
BLUE TOOTH:	VERSION 4.0
WEIGHT LIMIT:	250LBS
PRODUCT WEIGHT:	24LBS
USE TEMPERATURE:	-10°C ~ 40°C
CHARGING TEMPERATURE:	0°C ~ 40°C
BRAKE:	FRONT: ELECTRIC BRAKE; REAR: FOOT BRAKE
WHEEL SIZE:	FRONT: 8 "SOLID; REAR: 8 "INFLATABLE TIRE
LIGHTS:	LED HEADLIGHT & STEM
THROTTLE TYPE:	THUMB
DISPLAY:	INTEGRATED LCD
CLIMBING ANGLE:	10 DEGREES
CHARGER:	UL LISTED.100V-240V AOI-08294155DD1

DONG GUAN AOI ELECTRONIC TECHNOLOGY CO.,LTD

RECOMMENDED AGE:	13+
UL2272 CERTIFIED:	YES
DIMENSIONS:	FOLDED:35.04"L×13.8"H×6.5"W UNFOLDED:35.04"L×44.5"H×17"W
IN THE BOX:	FOLDING SCOOTER,CHARGER,MANUAL

WARNINGS & GENERAL INFORMATION

FOR YOUR SAFETY...

- This product is intended for ages 13+. Always drive defensively, and watch out for potential obstacles that may catch your wheel or cause you to swerve suddenly.
- Always check any local laws or regulations which may affect where the E1 can be used. This product is intended to be used on private property.
- Ride at your own risk and use common sense. Any rider that is unable to fit comfortably on the vehicle should not attempt to ride it. All decisions on who can ride the E1 should be made based on their maturity, skill, and ability to follow the rules.
- Keep this product away from small children. It is intended for use by people who are, at a minimum, comfortable and competent when operating the E1.
- The E1 is designed for one rider. Never carry passengers, and do not attach the E1 to other objects.
- This product was manufactured for performance and durability, but is not impervious to damage. Aggressive riding can over-stress and damage the E1. The rider assumes all responsibility and risk associated with high-stress activity.
- Keep your fingers and other body parts away from the wheels and all other moving components when operating the E1. Only activate the speed control when you are on the E1 and in a safe environment suitable for riding.
- Do not wear headphones or use a cell phone while operating the E1.
- Do not operate the E1 in wet or icy weather, and never immerse the product in water. The components can be damaged by water and create other unsafe conditions.
- Avoid excessive speeds when riding downhill, as it increases the risk of accident and injury. Avoid wet, slick, bumpy, uneven or rough surfaces while using the E1. Never risk damaging surfaces such as carpet and flooring by using the product indoors.
- Do not ride at night, or when visibility is limited.
- Always wear proper protective equipment, such as a helmet, elbow pads, and knee pads. Athletic shoes with rubber soles are best for riding the E1.
- Never operate the product barefooted or in sandals, and keep shoelaces tied and out of the wheels, motor, and drive system.
- Riding with improperly adjusted brakes or worn brake pads is dangerous and can result in serious injury or death.
- Applying brakes too hard or too suddenly can lock up a wheel, which could cause you to lose control and fall. Sudden or excessive application of the front brake may pitch the rider over the handlebars, which may result in injury or death.
- Prolonged Exposure to UV Rays, Rain and the Elements May Damage the Enclosure Materials, Store Indoors When Not in Use.
- WARNING - Risk of Fire and Electric Shock - No User Serviceable Parts.

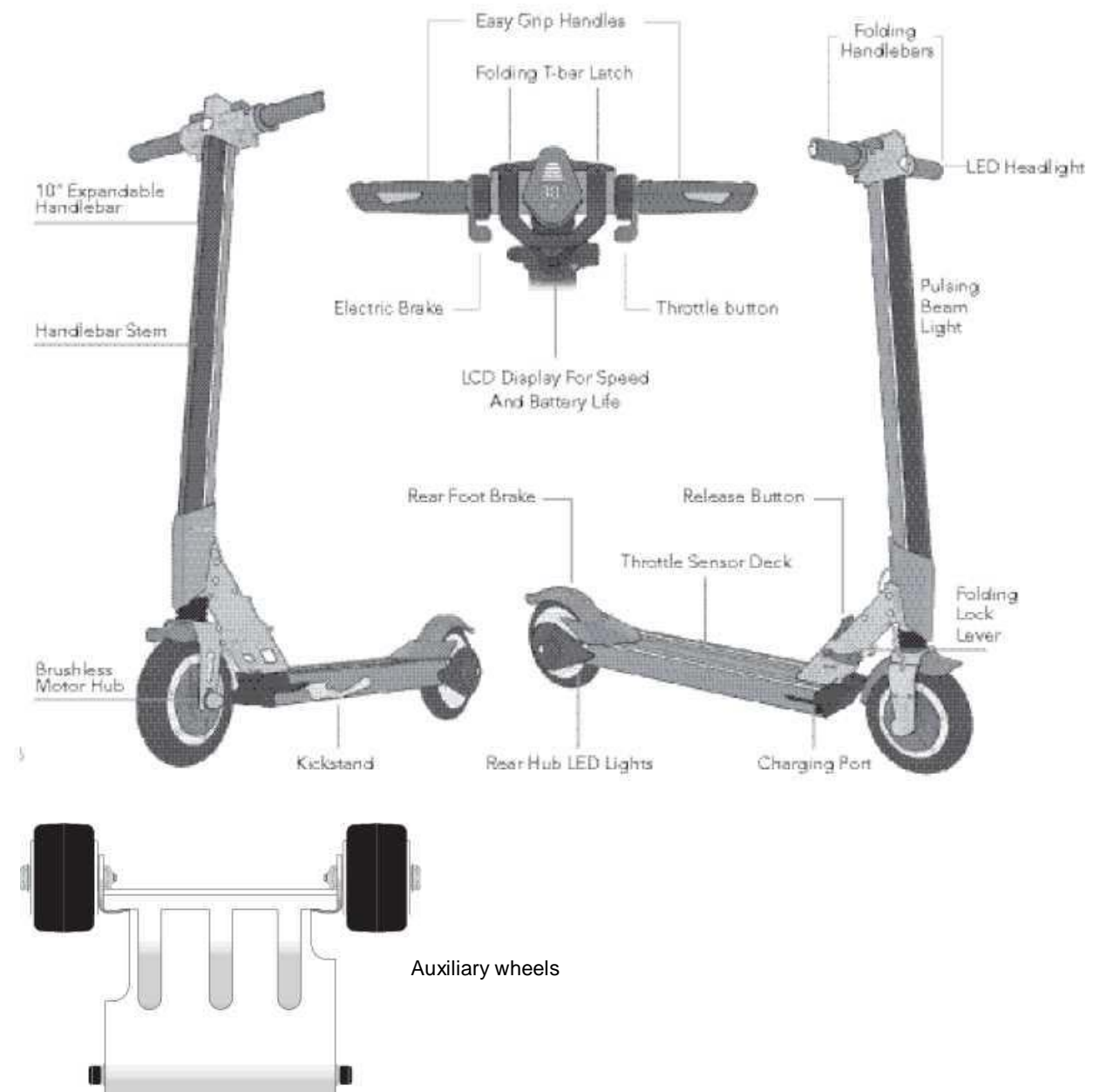
UNBOXING

After opening the box, please carefully remove the scooter and all the accessories slowly to avoid scratching the frame. Please check the carton for loose parts before discarding.

INCLUDED IN THE BOX

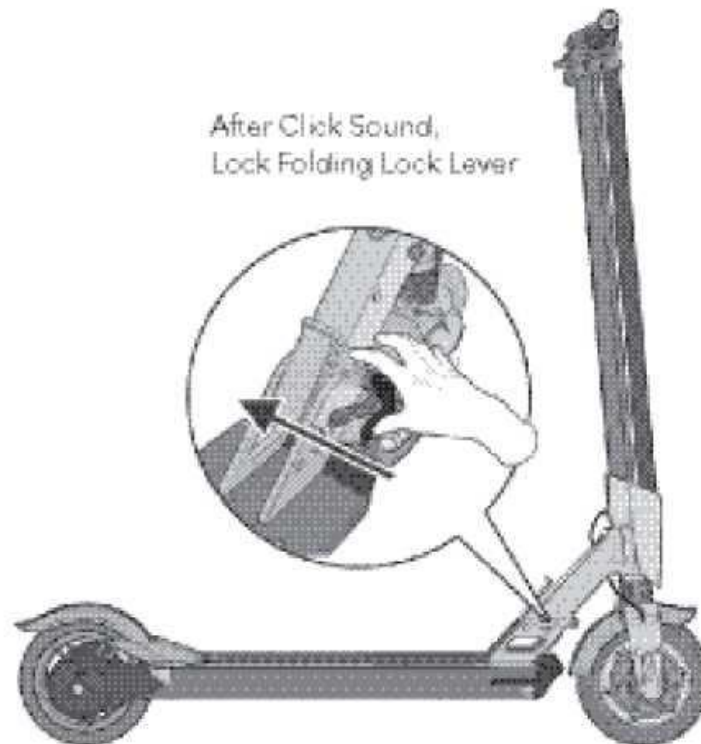
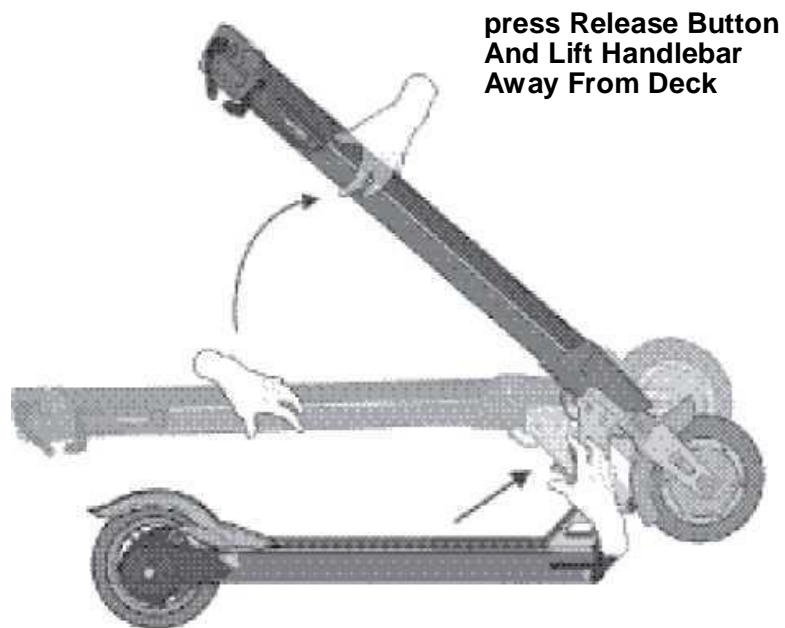
With its stylish and futuristic appearance, and powerful lithium battery, the E1 is created to give you a wonderful riding experience.

NOTE: Actual product may differ from images shown in manual.

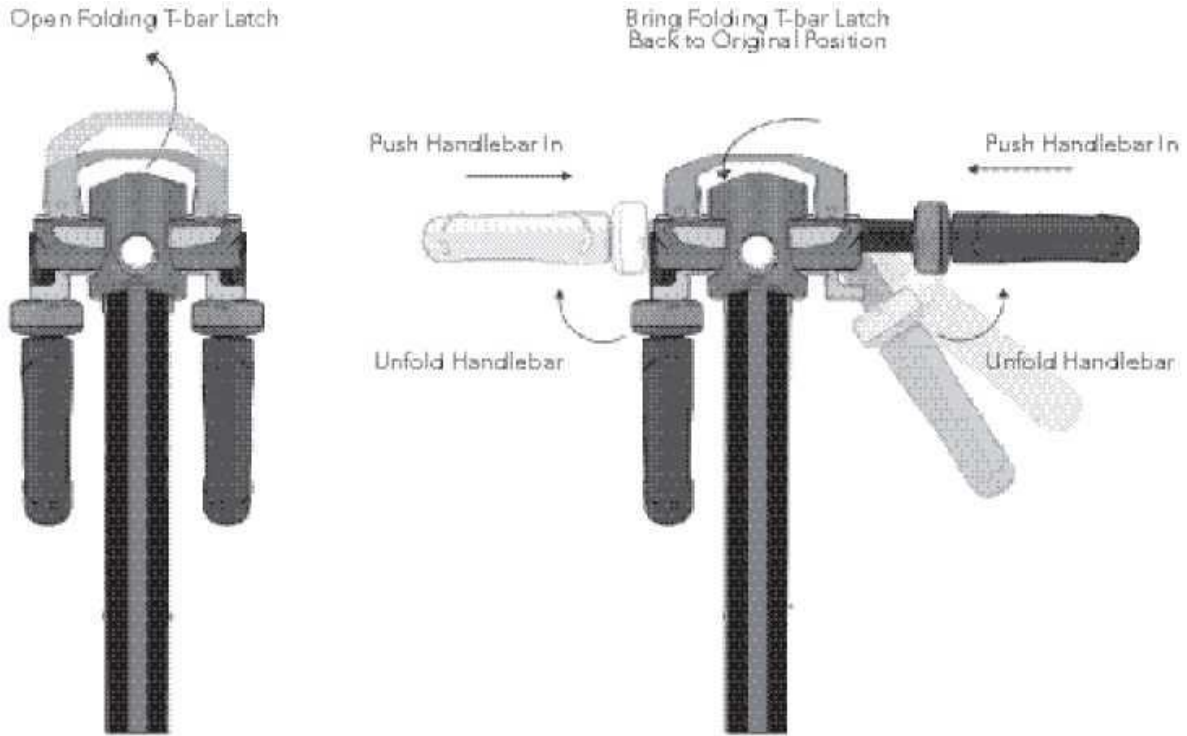


OPENING AND UNFOLDING YOUR E1

Step 1 Open the Folding Lock Lever, then press the Release Button while gently lifting the handlebar away from the deck. Once you hear a “click” sound, lock the Folding Lock Lever. The handlebar stem should now be secure.



Step 2 Open Folding T-bar Latch by lifting upwards, and unfold one handlebar at a time. Once unfolded, push handlebars in, and bring Folding T-bar Latch back to its original position by pushing down. Make sure handlebars and Folding T-bar Latch are secure before continuing.



Step 3 Open Handlebar Quick Release Lever and pull handlebar up to adjust height. Once adjusted, lock Handlebar Quick Release Lever by pushing back in.

Step 4 Check to make sure everything is secure and locked before continuing.

OVERVIEW

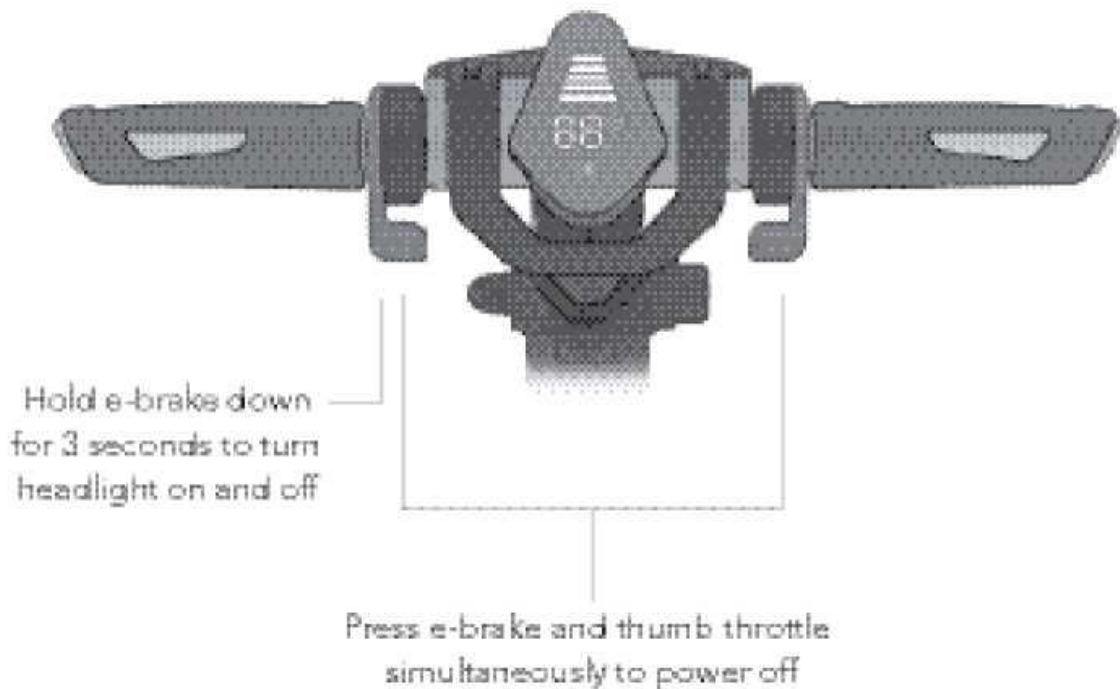
TURNING YOUR E1 SCOOTER ON AND OFF

To turn your E1 Scooter on, place one foot on scooter and kick off with your other foot to put it in motion, while simultaneously holding down the thumb throttle (on right side of handlebar) for 5 seconds.

To turn your E1 Scooter off, make sure scooter is not in motion, then press the thumb throttle and electric brake (on left side of handlebar) down simultaneously.

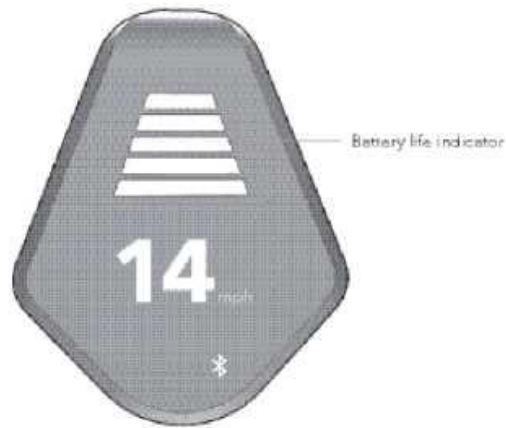
TURNING HEADLIGHT ON/OFF

When parking your E1, press and hold e-brake down for 3 seconds. This will turn your headlight off. Pressing and holding the e-brake for 3 seconds can turn your headlight back on.



DISPLAY SCREEN

The LCD display screen is an interface that shows the battery life, speed, and Bluetooth connectivity of your E1 while in operation.



Bluetooth 4.0 connects to kooheel App

Your E1 is Bluetooth 4.0 enabled, so you can pair it with kooheel app on your personal Bluetooth enabled device. It can be paired with Androids and iPhones.

The kooheel app is available for download from the App Store and the Google Play Store, and unlocks extra features on your E1. Simply install the app (it's free!) and connect to your E1 via Bluetooth (as detailed on the next page).

Extra features available through the app:

- Turn your Beam light on/off, increase or decrease light's intensity, choose the light pattern (solid or pulsing)
- Turn your headlight on/off, and increase or decrease light's intensity
- Lock and unlock scooter remotely, for added safety



To pair your E1 with your Bluetooth enabled device, follow these steps:

1. Turn on the E1 so that it will become discoverable on your device.
2. Make sure the Bluetooth function in your handheld device and in the E1 is turned on.
3. Open the koowheel app in your device, and locate the Bluetooth icon in the top left corner.
4. Tap on the Bluetooth icon, and from the device list, select your E1.
5. You will be prompted to enter a password. Default password is "000000"
6. Your koowheel app should now be paired with your E1, and ready to use.

NOTE: When your app is not connected via Bluetooth, the Bluetooth logo in the app will be white. When your app is connected via Bluetooth, the Bluetooth logo in the app will turn green.

Pulsing Beam Light

Once your E1 Scooter is in motion, the pulsing beam light located on the handlebar stem will automatically turn on. The throttle sensor on deck senses when you step of - once you step off, the pulsing beam light will auto-matically shut off after 60 seconds.

Rear Wheel

Rear wheel LED lights will change from color (matching your E1 model) when in motion, to red when braking.

HOW TO ATTACH AUXILIARY WHEELS

Your E1 comes with auxiliary wheels you can attach, which provide a more practical and comfortable way of carrying your Beam. To attach:

1. Lay your Beam on its side, and locate 4 screws (2 on each side) that are towards the front wheel, close to the bottom of the deck.



2. Unscrew the 4 screws.

3. Line up the holes on the platform attached to the auxiliary wheels, with the holes on the Beam where the screws were. Make sure the auxiliary wheels are closest to the front end of your Beam.

4. Place a screw in each hole and tighten to secure the auxiliary wheels to your Beam.

Once properly attached, you can use the auxiliary wheels to roll your E1 when it's not in use. Simply fold up the Beam and lift it up by the handlebar (in a position where the wheels are on the bottom and the handlebar is on top), with the auxiliary wheels being the only wheels that should be touching the ground. Pull it behind you for easy transporting. Adjust the handlebar to a height that's comfortable for you.

HOWTO USE YOUR E1

RIDING THE E1

SAFETY GEAR

Helmet Most serious injuries that occur while riding are head injuries. This could be prevented by wearing a helmet.

Elbow and Knee Pads For added protection, always wear elbow and knee pads when riding your E1, to prevent any serious injuries.

DRIVING TECHNIQUE

Foot Position - before riding put your foot as close as possible to the front section of the scooter, and your other foot on the ground. Make sure that your driving route is clear.

To start riding, boost yourself forwards (as on non-motorized scooters) with your foot that is on the ground. Please do not push the thumb throttle all the way down, get accustomed to the acceleration of the throttle.

Immediately after boosting yourself forward, slowly press the thumb throttle downwards, tilt your body forwards so you shouldn't fall backwards during acceleration. The E1 will be in motion.

Avoid putting your body pressure on the handlebars in acceleration and deceleration! Keep one foot behind the other, (it's more comfortable to place one foot forward and the other one turned backwards at 70-90° , like on skate/ surfboard). It will help you gain more stability.

NOTICE: Riding, like most sports, involves risk of injury and damage. By choosing to ride the E1 the responsibility and all inherent risk is on you. It is crucial that you know, understand and act according to safety rules.

Turns - The turns on the E1 are commanded by the direction you turn the handlebar/front wheel in, and leaning your body in the direction you are turning. Before turning look at the approaching direction and make sure turning is safe.

Braking - You have two options to brake: e-brake and foot brake. To use the e-brake, the E1 must be powered on. Press the e-brake while on the scooter to make it stop (being careful not to press too fast, as it may cause too sudden of a stop/jerking motion).

To use the foot brake, tilt your weight backwards so that the brake action will come through the feet and not through the handlebar and steering system. Lift your back foot and step down on the back wheel cover. It is best to learn how to adjust your center of gravity when braking, otherwise, you could fall forward.

SAFE DRIVING

1. Get to know the E1 before driving it. Test your control over it. Make your turns slowly and cautiously, and give yourself stopping distance.
2. Your driving capability - to gain control over your scooter, practice your first ride on the E1 in an open space with no obstacles to disturb you.
3. Recommended tires pressure in back tire: 70psi

FOLDING YOUR E1

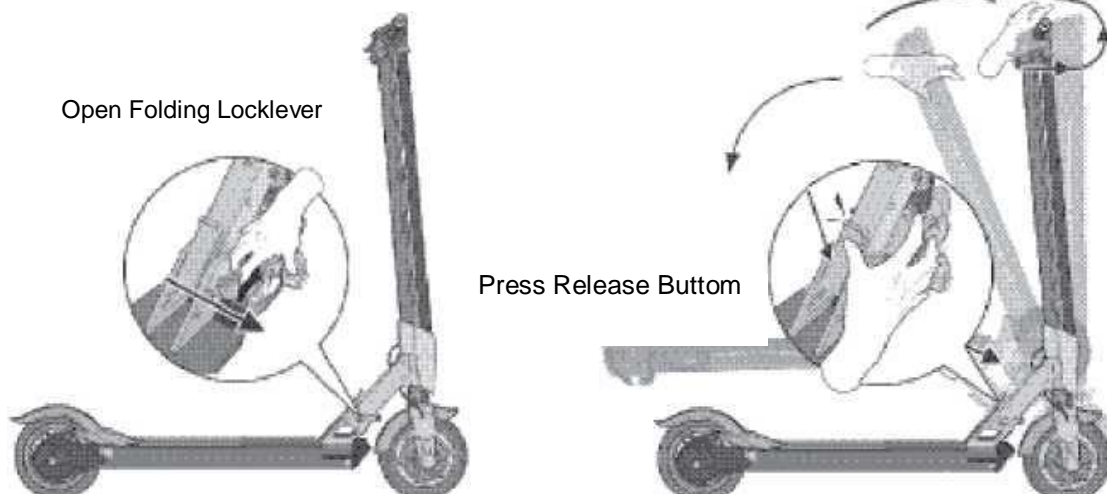
Your E1 Scooter folds up conveniently to store away easily in the trunk of a car, in a closet, or to carry with you onto a train or bus!

Step 1 Open the Quick Release Lever and slide the expandable handlebar all the way down. Once it's completely stored away, lock the Quick Release Lever.

Step 2 Pull the Folding T-bar Latch out, and pull the handlebars out to the side. Push one handlebar down at a time, and press in until they are fully stored. Once both handlebars are folded down, bring the Folding T-bar Latch back to its original position.

Step 3 Open the Folding Lock Lever and press the Release Button. Fold the handlebar down towards the rear wheel until you hear a “click” .Once it's fully folded, close the Folding Lock Lever to secure.

Fold Handlebar Down Towards Rear Wheel,
Listen for "click" sound,
close folding lock lever.



OPERATION

MECHANICAL SAFETY TESTS

Before using the E1: Perform a visual inspection that all screws and nuts are tight and in place. Tires and wheels: check the tires for signs of wear. To do this- spin them to make sure that they are not yet in the need of replac-ing. Make sure that the wheels are freely rotating from the brakes. If not, take the E1 to the authorized distributor. Before each ride, always check your brakes and mechanical function.

BATTERY

- Do not operate the motor while charging
- Battery level indicator in the LCD display is intended for general knowledge (full/empty) only, and does not give a precise indication to the battery status.
- If storing the E1 for long periods of time, make sure you store it with a fully charged battery, and make sure to charge it once a month.

DO NOT USE THE BATTERY IF THE SCOOTER

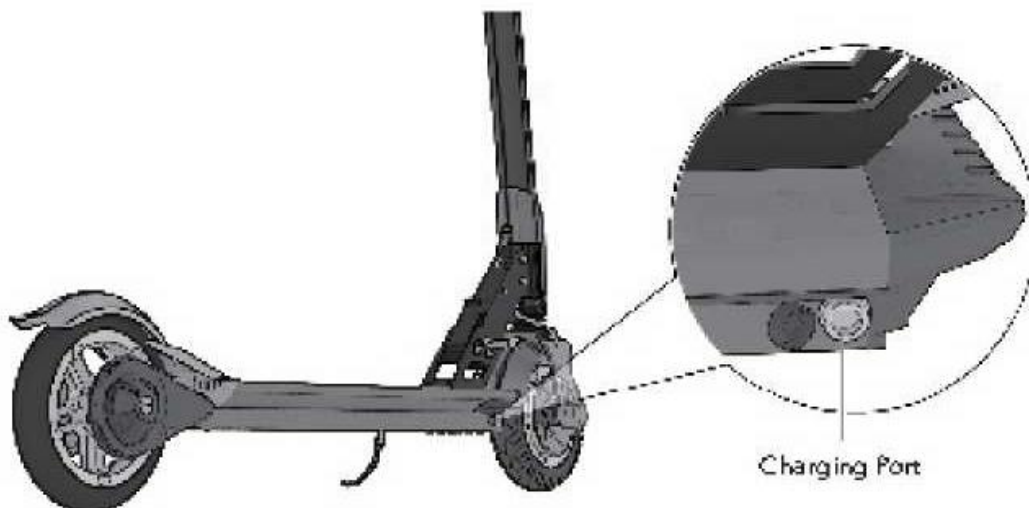
- Is broken
- Emits an unusual odor or excessive heat
- Presents any leakage

Avoid contact with any substance oozing from the battery. Keep the battery away from children and pets. Exposure to the battery voltage can cause death or serious injury.

The use, storage or charging of the E1 battery outside specified limits may result in the annulment of the warranty, battery damage, and an inef-fective battery charging.

CHARGING AND BATTERY

Your E1 has a charging port located at the front of the deck.



Connect the charger's electric cable to an electrical outlet. Open the cover to the charging port in your scooter (note: be sure to keep any liquids away from charging port and cable), and then connect the charging cable to the scooter's charging port under the footboard, on the right side at the front. Always plug the charger into the wall first before the device. The charger offers a charging status on the top of the charger:

Charging Light Red Battery is charging.

Charging Light Green Charging is complete.

Once the charger is plugged into the wall and then the charging port, the charging light should turn red, indicating that it is charging. If it does not turn red, either the battery is full or the charger is not properly connected to the Beam. Once the light has turned green and charging is complete, unplug the cable from the charging port, as overcharging your scooter can affect the service life of the batteries.

(Please note: Always plug the charger into the wall first before the device. If the wall outlet doesn't have power and you plug the charger into the unit, it will light green, even if the battery is not full. So always plug into the wall first to make sure there is power.)

Average charge time is 3 hours. Charge the battery only using tools approved for the E1.

To maximize your scooter's battery performance, fully charge it for 3 hours, once a month, or after each use of twelve hours. It is dangerous to use the E1 when plugged into an AC outlet. Electrical shock can cause serious injury and damage the scooter. Do not attempt to open the battery. Do not insert anything in the battery and do not attempt to open its case with any tool. Inserting an object into openings or in the battery can cause electrical shock, injury, burns or fire. Any attempt to open the battery case will damage it and cause release of dangerous toxic substances. Unplug the E1 from the outlet before performing any maintenance. Carry the E1 according to all applicable local and national requirements.

PROTECTION AGAINST OVER-DISCHARGING

The E1 has a built-in smart over-discharging protection system that will actively cut off the power when the scooter is in a locked or shutdown state and battery power is too low. Once the scooter goes into the over-discharging protection mode, it needs to be awakened by charging. If the scooter remains un-awakened after 30 minutes of charging, please contact the authorized dealer of the E1, or koowheel's customer service.

safety warning

- Risk of fire.
- No User Serviceable Parts.
- Use only the specified charger.
- When not riding, stored in the house, to avoid exposure to UV and water

- The user must read the manual to reduce the risk of injury.

This device complies with Part 15 of the FCC Rules. Operation is subject to the following two conditions:

- (1) this device may not cause harmful interference, and
- (2) this device must accept any interference received, including interference that may cause undesired operation.

Note: This equipment has been tested and found to comply with the limits for a Class B digital device, pursuant to part 15 of the FCC Rules. These limits are designed to provide reasonable protection against harmful interference in a residential installation. This equipment generates, uses and can radiate radio frequency energy and, if not installed and used in accordance with the instructions, may cause harmful interference to radio communications. However, there is no guarantee that interference will not occur in a particular installation. If this equipment does cause harmful interference to radio or television reception, which can be determined by turning the equipment off and on, the user is encouraged to try to correct the interference by one or more of the following measures:

- Reorient or relocate the receiving antenna.
- Increase the separation between the equipment and receiver.
- Connect the equipment into an outlet on a circuit different from that to which the receiver is connected.
- Consult the dealer or an experienced radio/TV technician for help.

Caution: The user is cautioned that changes or modifications not expressly approved by the party responsible for compliance could void the user's authority to operate the equipment.

FCC RF Radiation Exposure Statement (within 20cm distance in actual use between the device and user)

E1 CARE AND MAINTENANCE

STORAGE

If you plan on storing your E1 for a substantial amount of time, please do the following:

- You should bring the scooter into a warm environment (above 32 degrees Fahrenheit) for charging.
- To prevent dust, cover the E1 when storing.
- Store the E1 indoors, in a dry and suitable temperature.
- Do not leave the E1 plugged into the charger for long periods of time.

MAINTENANCE

The E1 was assembled by professional technicians. Any attempt to independently fix or change the E1 or parts of it in any way, can cause damage to the E1 folding electric scooter, and can cancel the manufacturer warranty given upon delivery. Please contact your authorized E1 dealer, or koowheel's customer service for any maintenance needs.

LIMITED 1 YEAR WARRANTY

TO QUALIFY FOR WARRANTY SERVICE

- 1.You must present a copy of the sales receipt from an approved retail partner within 90 days of purchase.
- 2.This product can not be used for rental or commercial use.
- 3.This product can not be used for competition.

LIMITATIONS OF LIABILITY

- his Limited 1 Year Warranty is non-transferable after the Product's initial sale.
- No unapproved modifications can be made to the Product, its performance or otherwise, in order for this Limited 1 Year Warranty to remain in effect.
- No reimbursement is provided for towing, loss of time, loss of use, inconvenience, incidental or consequential damages.
- Warranty is void if weather related water damage is determined. Owner is responsible for storage and protection from weather.
- koowheel® makes no warranty with respect to products or trade accessories not made by koowheel®, including, but not limited to, motors, tires, wheels and batteries, such products or trade accessories, such items being subject to the original manufacturer's warranty, if any.
- This Limited 1 Year Warranty does not cover minor surface blemishes, rips, tears, or other cosmetic damages due to normal use, or other intentional or unintentional damage to the Product.
- This Limited 1 Year Warranty will not cover any damage which results from the application of improper cleaners, solvents or chemicals to the Product, water damage, smoke or soot, or from exposure to salt-water, sea breeze or salt.
- This Limited 1 Year Warranty will not cover any damage which results from aging, such as fading of paint, deterioration of plated surfaces, deterioration of rubber or plastics, or rusting.
- This Limited 1 Year Warranty does not cover improper repair or misdiagnosis of problem.
- This Limited 1 Year Warranty covers only parts and labor due to manufacturer defect.
- Damage due to misuse or neglect, use other than as specified in the Owner's Manual, or use under abnormal conditions are not covered by this Limited 1 Year Warranty.

OWNER'S WARRANTY RESPONSIBILITIES

As the vehicle owner, you are responsible for the performance of the required maintenance. You should maintain a record of all maintenance performed your vehicle and retain all receipts covering maintenance on your vehicle. You may be denied a warranty claim solely because of your failure to ensure the performance of all scheduled maintenance or lack of maintenance records or receipts. As the vehicle owner, you should be aware that you may be denied your warranty coverage if your vehicle or a part has failed due to abuse, neglect, improper maintenance, or unapproved modifications. For any questions about your koowheel product, please visit our website at www.koowheel.com.