

OPERATING INSTRUCTIONS
AIR-CHIEF-
“LOW-RIDER”



1. **Front Adjustable Armrests (Rotate knob to set arm resting point)**
2. **Backrest Adjuster (Rotate to adjust to comfortable position – lay flat)**
3. **ICP- Install tetherbelt system here**
4. **Side Bolster Adjustment (Press and hold “+” to tighten back cushion side bolsters, Press and hold “-“ to widen back cushion side bolsters)**
5. **Air-Lumbar Controls (Press and hold “+” to increase lumbar support, Press and hold “-“ to decrease lumbar support)**
6. **Seat Height adjustment control**
 - a. **Press on arrow tip to raise seat.**
 - b. **Press on arrow origin to lower seat**
7. **Isolator Lockout Control (Push left to Lock; Push right to unlock) {NOTE: Isolator does not work when there is no air in the suspension system}**
8. **Cushion Extension and Angle Adjustment (Lift up and pull out to adjust in 3 positions, Lift up and push in to shorten cushion)**
9. **Seat fore and Aft Adjustment (Pull lever to left to unlock and slide seat to desired position. Please make sure seat is locked into position after adjusting.)**



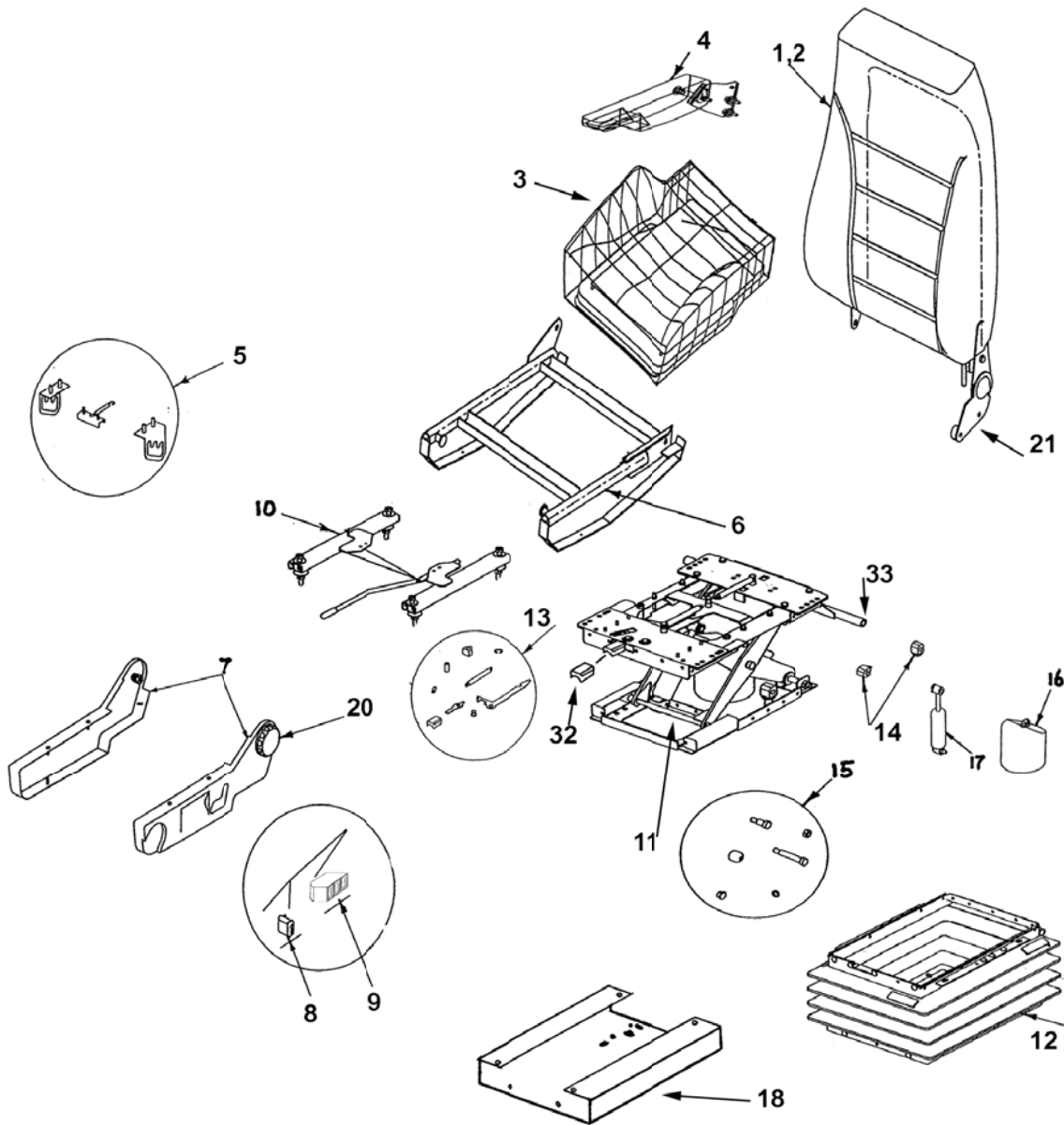
“LOW-RIDER” SERVICE PARTS LISTING

| Key | PARTNO. | Qty | Description | Key | PART NO. | Qty | Description |
|-----|------------|-----|---------------------------------------------------|-----|-------------------------------------|-----|--------------------------------------------------------|
| | 7034 | 1 | SLIDE-SLAVE-SERVICE-9200 | 32 | 730083-000 | 1 | SWITCH-ELEC-POWER_RH-SERV-9800 |
| | 9417 | 1 | CAP-LUMBAR-LOWER-BAG-SERVICE-9400 | 21 | 730084-000 | 1 | SEAT_BELT_KIT_3PT_ELE_9IN_CABLE BUCKLE_BLACK_PRT_98 |
| | 9418 | 1 | CAP-LUMBAR-UPPER-BAG-SERVICE-9400 | 8 | 9400-04 | 1 | VALVE-LUMBAR-LH-SERVICE-9400 |
| | 9421 | 1 | SLIDE-SLAVE-SERVICE-9400 | 4 | 9400-600 | 1 | Comfort Front Adjust. Armrest Right |
| | 730085-000 | 1 | ADJUSTER-BACK-COMPLETE-SERVICE-9800 | 4 | 9400-61 | 1 | SEATFRAME-SERVICE-9400 |
| | 87133 | 1 | SPRING-CUSHION-SERVICE-9200 | 3 | 9800-325-CH-XXX | 1 | BACK-SERV-MB-LRC-98-CHIEF |
| | 87134 | 1 | DISC-RETAINER-BACK-ADJUSTER-SERVICE-9200 | 3 | 9800-326-CH-XXX | 1 | BACK-SERV-HB-LRC-98-CHIEF |
| | 87135 | 1 | HANDLE-BACK-REST-ADJUST | 1 | 9800-326-LR-LXX | 1 | BACK-SERV-HB-LRC-98-LORIDE-ULTRA- LEATHER |
| 20 | 87161 | 1 | CAP-BACK-ADJUSTER-BLACK-SERVICE-9200 | 1 | 9800-326-LR-XXX | 1 | BACK-SERV-HB-LRC-98-LORIDE |
| 20 | 94253 | 1 | COVER-HANDLE-LOCKOUT-RED-SERVICE-9400 | 2 | 9800-325-GC-LXX | 1 | BACK-SERV-MB-LRC-98-GRCHIEF- ULTRA-LEATHER |
| 5 | 730004-000 | 1 | RECLINER-TRIM-RH-SERV-92 | 2 | 9800-325-GC-XXX | 1 | BACK-SERV-MB-LRC-98-GRCHIEF |
| 17 | 730008-098 | 1 | SHOCK-KIT-98-MEDIUM-SERV-98 | | | | |
| 16 | 730011-000 | 1 | ROLLER-BEARING-PIN-KIT-SERV-98 | | PZ002015 | 4 | PUSHNUT-SERVICE-9200 |
| 15 | 730012-000 | 1 | UPDOWN-LUMBAR-LH-VALVE-KIT-SERV-98 | | | | |
| 13 | 730014-004 | 1 | UP-DOWN-BUMPER KIT-4IN-SERV-98 | 11 | 730024-000 | 1 | RISER-BUSINESS-CLASS-KIT-SERV-98 |
| 12 | 730016-000 | 1 | CUSHION-BRACKETRY-KIT-SERV-CF | 18 | RR00-2201-000 | 1 | RISER-BOX-2.25-TRAY-SERVICE-9800 |
| 10 | 730018-000 | 1 | SEAT-FRAME-KIT-SERV-98-CF | | 730087-000 | 1 | RECLINER_KIT_RH_98_SERV |
| | 730600-000 | 1 | DISC_AIR-SPRING_SUPPORT_SERVICE_P005 | | 730023-004 | 1 | SUSP-4IN-ISO-SSH-SERV-98 |
| | 730504-000 | 1 | AIR SPRING-(P) | | | | |
| 6 | 730028-000 | 1 | VALVE-UP-DOWN-ELEC-LH-SERV-98 | | | | |
| | 730036-021 | 1 | CONSOLE-KIT-RH-STANDARD-UPD-GRA-PLA- SERV-98 | | | | |
| 9 | 730070-000 | 1 | VALVE-KIT-UP/DOWN-LUMBAR-RH-PRIMUS-SERV | | XXX- Add Color Material Code | | |
| 8,9 | 730073-000 | 1 | VALVE-KIT-UPD-FAS-LH-PRIMUS-SERV-98 | | | | |
| 7 | 730074-011 | 1 | CONSOLE-KIT-LH-GRA-ABS-UPD-AL-SERV-9800 | | | | |
| 7 | 730074-611 | 1 | CONSOLE-KIT-LH-BLK-ABS-UPD-AL-SERV-9800 | | | | |
| 33 | 730074-635 | 1 | CONSOLE-KIT-LH-BLK-ABS-UPD-FAS-SWCH-SERV- 9800 | | | | |
| | 730075-000 | 1 | AIR-LUMBAR-SERVICE-98 | | | | |
| | 730076-000 | 1 | SIDE-BOLSTER-SERVICE-98 | | | | |
| | 730076-000 | 1 | SIDE-BOLSTER-SERVICE-98 | | | | |

Customer Service: 800-550-1150, www.knoedler.com, info@knoedler.com

Fax: 450-445-0086

“LOW-RIDER” SERVICE PARTS LISTING





OPERATING INSTRUCTIONS
“LOW-RIDER”

Seat Cushion & Backrest Cushion Ordering Information

1. The backrest assembly includes the frame, foam, upholstery cover and the back adjuster.
2. The seat cushion assembly, includes the seat board, foam, upholstery cover and tilt bracket hardware.
3. To order the correct Backrest or Seat cushion assembly, select the base number from the service parts list. Replace the (x) in the part number with a selection from the trim code table shown below.

Example: To order a high back cushion in black Ultra-Leather upholstery you would order a “9800-336-L21”.

GRAND-CHIEF and LOW-RIDER SERIES TRIM CODE TABLE

| Color Code | Cloth | Velour | S-Leather | Leather |
|-------------------|--------------|---------------|------------------|----------------|
| Black | -T31 | -C51 | -L01 | -L21 |
| Brown | -T38 | -C32 | -L02 | |
| Blue | -T36 | -C34 | | |
| Grey | -T33 | -C55 | -L04 | -L24 |
| Red | -T32 | -C56 | -L05 | -L25 |

Armrest Installation Instructions:

1. Locate the armrest bracket on the backrest, this is located under the upholstery.
2. Locate the top two threaded holes in the bracket. Top hole in the bracket is located 6.25 in above the bottom of the back frame tube. Only two bolts are required to fasten the armrest to the back frame.
3. Pierce the upholstery (keep hole as small as possible) so the armrest bolts can be installed into the threaded holes in the back frame. Two holes must be pierced in the upholstery for each armrest.
4. Install a bolt (M8X1.25-30mm) through the middle hole of the armrest bracket. Install the thick flat washer on the bolts between the armrest bracket and back frame.
5. Align the bolt with the top hole in the backrest frame. Install the bolt into the back frame and tighten until it is engaged, (4-5 turns), do not yet tighten securely.
6. Install the second bolt into the bottom hole of the armrest bracket. Install the thick flat washer on the bolt between the armrest bracket and the back frame.
7. Align the bolt (M8X1.25-30mm) with the remaining hole in the backrest frame. Install the bolt into the back frame and tighten until the armrest bracket is drawn against the back frame.
8. Tighten the top bolt securely.
9. Tighten the lower bolt securely.
10. Repeat steps 1 through 9 for armrest on the opposite side.

