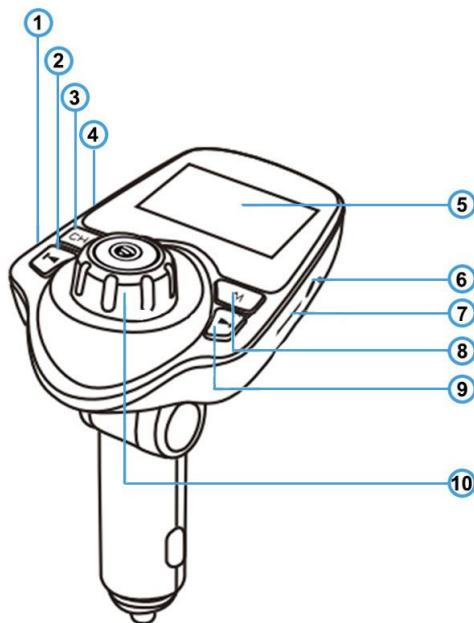


User manual for T11 Bluetooth FM Transmitter & Car Charger



Specifications

- Bluetooth Version: V3.0+EDR
- Frequency: 20Hz - 20kHz
- USB Charging Output: 5V 2.1A
- Working Current: 45mA (Max)
- Standby Current: 25mA (Max)
- FM: 87.5MHz - 108.0MHz



Buttons and ports

1. USB charging port
2. Previous track
3. Frequency down (CH)
4. USB port for streaming music
5. Display
6. AUX port
7. SD card slot
8. Function button (M)
9. Next track
10. Multifunction button

First use

The FM transmitter automatically powers on when you plug it into the car cigarette lighter. Set the frequency on the FM transmitter and match it on your car stereo. You can now enjoy the music from your SD card, USB flash drive or your smartphone via Bluetooth.

To change the language, simply press and hold the M button for 5 seconds. You can switch between the English and Chinese languages.

Playing music from USB drive or SD card

To play music from your removable drive, all you have to do is insert it into the designated slot. The music will automatically start. Please, bear in mind that the FM transmitter supports only mp3 and WMA audio formats.

If you want to Pause music, simply press the multifunction button once. To play it back on, just press the multifunction button again. To change the song to next or previous, press the corresponding buttons (Next track or Previous track). Press and hold the CH button for 3 seconds to select “Repeat all” or “Repeat songs in the folder” options. To select folders simply press and hold Previous or Next track buttons.

Pairing and playing music via Bluetooth

When you plug the FM transmitter, it will automatically turn on the Bluetooth. When the Bluetooth logo is blinking on display, search for “T11” on your device and pair it. Once paired, the FM transmitter memorizes your device, and next time it will automatically pair when the Bluetooth is on.

When you pair your device with the FM transmitter, simply play music, and the transmitter will automatically stream it on the set frequency. You can control music on your device or the transmitter at the same time.

When there is an incoming call, short-press the multifunction button to answer, and short-press again to end the call. To reject the incoming call press and hold the multifunction button for 3 seconds. If you want to redial the last number, short-press the multifunction button twice

When you have two or three sources (SD card, USB flash drive and Bluetooth paired) simply press the M button to change the music source.

AUX input

The T11 FM transmitter supports external audio source input, so you can connect your additional source by plugging it into the AUX input. You can connect mp4 player, CD player, or some other AUX input device.

Car charging function

This FM transmitter also can charge your device while on the road. All you have to do is plug your cable into the USB charging port. The USB charging port has the maximal output power of DC 5V, 2.1A.