



Contents

Important Safety Instructions	1
Safety	1
Warning	2
What's in the Box	4
Identifying the Parts	5
Main Unit	5
Wire Subwoofer.....	5
Remote Control	6
Preparations	6
Prepare the Remote Control.....	6
Replace the Remote Control Battery.....	6
Placement and Mounting.....	7
Wall Mounting (if using option-B)	7
Connections	8
Use the OPTICAL Socket.....	8
Use the COAXIAL Socket.....	8
Use the AUX Socket.....	8
Connect Power.....	9
Pairing the Wireless Subwoofer with the Main Unit.....	9
Automatic pairing.....	9
Manual pairing.....	9
Basic Operation	10
Standby/ON	10
Select Modes	10
Adjust the Volume.....	10
Select a Preset Sound Effect	10
AUX/OPTICAL/COAXIAL Operation	10
Bluetooth Operation.....	11
Pair Bluetooth-enabled Devices.....	11
Listen to Music from Bluetooth Device	11
USB Operation	12
Troubleshooting.....	12
Specifications	13

Important Safety Instructions

	CAUTION RISK OF ELECTRIC SHOCK DO NOT OPEN	
CAUTION: TO REDUCE THE RISK OF ELECTRIC SHOCK, DO NOT REMOVE COVER (OR BACK). NO USER-SERVICEABLE PARTS INSIDE. REFER SERVICING TO QUALIFIED SERVICE PERSONNEL.		




The lightning flash with arrowhead symbol, within an equilateral triangle, is intended to alert the user to the presence of uninsulated “dangerous voltage” within the product’s enclosure that may be of sufficient magnitude as to constitute a risk of electric shock to persons.



The exclamation point within an equilateral triangle is intended to alert the user to the presence of important operating and maintenance (servicing) instructions in the literature accompanying the appliance.

Safety

- 1 Read these instructions** – All the safety and operating instructions should be read before this product is operated.
- 2 Keep these instructions** – The safety and operating instructions should be retained for future reference.
- 3 Heed all warnings** – All warnings on the appliance and in the operating instructions should be adhered to.
- 4 Follow all instructions** – All operating and usage instructions should be followed.
- 5 Do not use this apparatus near water** – The appliance should not be used near water or moisture – for example, in a wet basement or near a swimming pool and the like.
- Clean only with a dry cloth.
- Do not block any ventilation openings. Install in accordance with the manufacturer’s instructions.
- Do not install near any heat sources such as radiators, heaters, stoves, or other apparatus (including amplifiers) that produce heat.
- Do not defeat the safety purpose of the polarized or grounding plug. A polarized plug has two blades with one wider than the other. A grounding plug has two blades and a third grounding prong. The wide blade or the third prong is provided for your safety. If the provided plug does not fit into your outlet, consult an electrician for replacement of the obsolete outlet.
- 10 Protect the power cord from being walked on or pinched particularly at plugs, convenience receptacles, and the point where they exit from the apparatus.
- 11 Only use attachments/accessories specified by the manufacturer.
- 12  Use only with the cart, stand, tripod, bracket or table specified by the manufacturer, or sold with the apparatus. When a cart or rack is used, use caution when moving the cart/apparatus combination to avoid injury from tip-over.
- 13 Unplug the apparatus during lightning storms or when unused for long periods of time.
- 14 Refer all servicing to qualified personnel. Servicing is required when the apparatus has been damaged in any way, such as power supply cord or plug is damaged, liquid has been spilled or objects have fallen into the apparatus, the unit has been exposed to rain or moisture, does not operate normally, or has been dropped.
- 15 This equipment is a Class II or double insulated electrical appliance. It has been designed in such a way that it does not require a safety connection to electrical earth.
- 16 The apparatus shall not be exposed to dripping or splashing. No objects filled with liquids, such as vases, shall be placed on the apparatus.
- 17 Minimum distance around the apparatus for sufficient ventilation is 5cm.
- 18 The ventilation should not be impeded by covering the ventilation openings with items, such as newspapers, table-cloths, curtains, etc...
- 19 No naked flame sources, such as lighted candles, should be placed on the apparatus.
- 20 Batteries should be recycled or disposed of as per state and local guidelines.
- 21 The use of apparatus in moderate climates.

- **Caution:**
- Use of controls or adjustments or performance of procedures other than those described herein, may result in hazardous radiation exposure or other unsafe operation.
- To reduce the risk of fire or electric shock, do not expose this apparatus to rain or moisture. The apparatus must not be exposed to dripping or splashing and objects filled with liquids, such as vases, must not be placed on apparatus.
- The mains plug/appliance coupler is used as the disconnect device, the disconnect device must remain readily operable.
- Danger of explosion if battery is incorrectly replaced. Replace only with the same or equivalent type.

Warning

- The battery (batteries or battery pack) shall not be exposed to excessive heat such as sunshine, fire or the like.
- Before operating this system, check the voltage of this system to see if it is identical to the voltage of your local power supply.
- Do not place this unit close to strong magnetic fields.
- Do not place this unit on the amplifier or receiver.
- Do not place this unit close to damp areas as the moisture will affect the life of the laser head.
- If any solid object or liquid falls into the system, unplug the system and have it checked by qualified personnel before operating it any further.
- Do not attempt to clean the unit with chemical solvents as this may damage the finish. Use a clean, dry or slightly damp cloth.
- When removing the power plug from the wall outlet, always pull directly on the plug, never yank on the cord.
- Changes or modifications to this unit not expressly approved by the party responsible for compliance will void the user's authority to operate the equipment.
- The rating label is pasted on the bottom or back of the equipment.
- This equipment complies with FCC radiation exposure limits set forth for an uncontrolled environment. This equipment should be installed and operated with minimum distance 20cm between the radiator & your body.

DO NOT INGEST BATTERY, CHEMICAL BURN HAZARD

The remote control supplied with this product contains a coin/button cell battery. If the coin/button cell battery is swallowed, it can cause severe internal burns in just 2 hours and lead to death. Keep new and used batteries away from children. If the battery compartment does not close securely, stop using the product and keep it away from children. If you think batteries might have been swallowed or placed inside any part of the body, seek immediate medical attention.



Correct Disposal of this product. This marking indicates that this product should not be disposed with other household wastes throughout the EU. To prevent possible harm to the environment or human health from uncontrolled waste disposal, recycle it responsibly to promote the sustainable reuse of material resources. To return your used device, please use the return and collection systems or contact the retailer where the product was purchased. They can take this product for environmental safe recycling.



We hereby declares that this product is in compliance with the essential requirements and other relevant provisions of Directive 2014/53/EU.



The Bluetooth® word mark and logos are registered trademarks owned by Bluetooth SIG, Inc. We are the licensee to use such marks. Other trademarks and trade names are those of their respective owners.



Manufactured under license from Dolby Laboratories. Dolby and the double-D symbol are trademarks of Dolby Laboratories.

For U.S. models

FCC Information

Warning:

Changes or modifications to this unit not expressly approved by the party responsible for compliance could void the user's authority to operate the equipment."

NOTE:

- This equipment has been tested and found to comply with the limits for a Class B digital device, pursuant to Part 15 of the FCC Rules. These limits are designed to provide reasonable protection against harmful interference in a residential installation. This equipment generates, uses and can radiate radio frequency energy and, if not installed and used in accordance with the instructions, may cause harmful interference to radio communications.
- However, there is no guarantee that interference will not occur in a particular installation. If this equipment does cause harmful interference to radio or television reception, which can be determined by turning the equipment off and on, the user is encouraged to try to correct the interference by one or more of the following measures:
 - Reorient or relocate the receiving antenna.
 - Increase the separation between the equipment and receiver.
 - Connect the equipment into an outlet on a circuit different from that to which the receiver is connected.
 - Consult the dealer or an experienced radio / TV technician for help.
- This device complies with Part 15 of the FCC Rules. Operation is subject to the following two conditions:
 - (1) this device may not cause harmful interference, and
 - (2) this device must accept any interference received, including interference that may cause undesired operation.

- **IC Notice:**

This device complies with Canada Industry licence-exempt RSS standard(s). Operation is subject to the following two conditions: (1) this device may not cause interference. and (2) this device must accept any interference. Including interference that may cause undesired operation of the device.

CAN ICES-3 (B) / NMB-3 (B)

Avis d'Industrie Canada

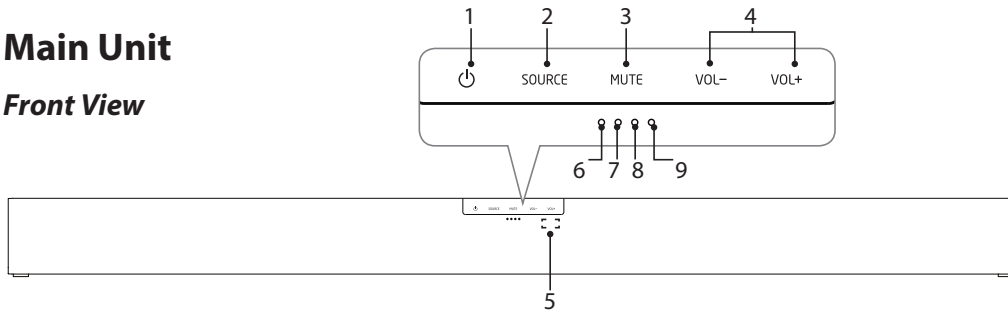
Le présent appareil est conforme aux CNR d'industrie Canada applicables aux appareils radio exempts de licence L'exploitation est autorisée aux deux conditions suivantes:

(1) l'appareil ne doit pas produire de brouillage, et (2) l'utilisateur de l'appareil doit accepter brouillage radioélectrique subi même si le brouillage est susceptible d'en compromettre le fonctionnement. mauvais fonctionnement de l'appareil.

Product Overview

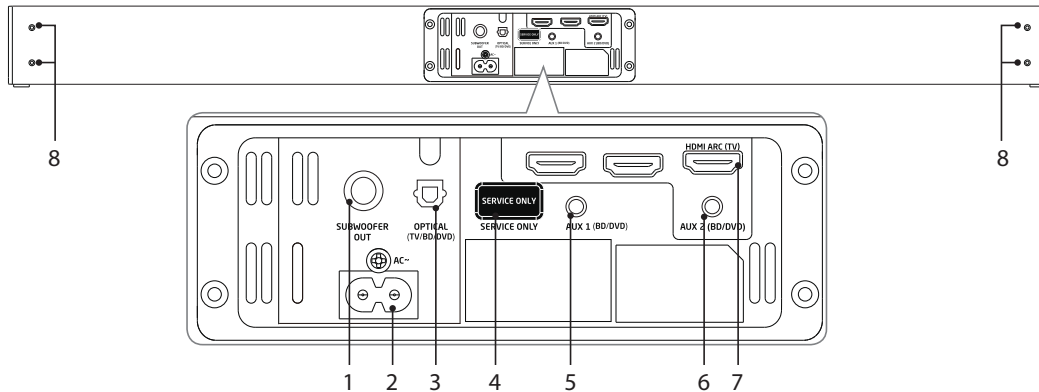
Main Unit

Front View



1. **⏻ Button**
Switch the unit between **On** and **Standby** mode.
2. **SOURCE** Button
Select the input source.
3. **MUTE** button
Mute or resume the sound.
4. **VOL - / +** Button
Adjust the volume.
5. **Remote Control Sensor**
Receive signal from the remote control.
6. **STANDBY Indicator**
In STANDBY mode: Light up Red.
7. **AUX 1 / AUX 2 Indicator**
In AUX 1 mode: Light up Green.
In AUX 2 mode: Flash in Green.
8. **OPTICAL Indicator**
In OPTICAL mode: Light up Orange.
9. **HDMI FUNCTION Indicator**
In HDMI ARC mode: Light up White.

Rear View




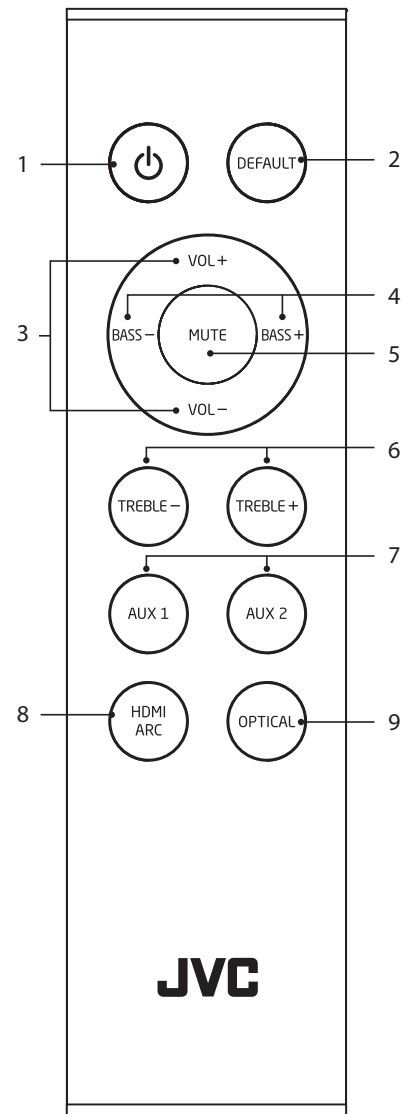
1. **SUBWOOFER OUT** Socket
2. **AC~**Socket
Connect a power cord.
3. **OPTICAL (TV/BD/DVD)** Socket
Connect to an external audio device.
4. **SERVICE ONLY** Socket
The USB socket is for service only. It is not designed to charge smartphones, tablets or similar devices.
5. **AUX 1 (BD/DVD)** Socket
Connect to an external audio device.
6. **AUX 2 (BD/DVD)** Socket
Connect to an external audio device.
7. **HDMI** Socket
8. **Wall Bracket Screws**

Subwoofer



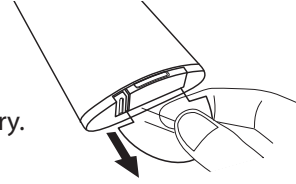
Remote Control

1.  Button
Switch the unit between **On** and **Standby** mode.
2. **DEFAULT** Button
Press to resume the default sound effect setting.
3. **VOL + / -** Buttons
Adjust the volume.
4. **BASS - / +** Buttons
Adjust the bass sound level.
5. **MUTE** Button
Mute the unit or resume the sound.
6. **TREBLE - / +** Buttons
Adjust the treble sound level.
7. **AUX 1 / 2** Button
Switch between **AUX 1 / AUX 2** mode.
8. **HDMI ARC** Button
Press to switch to **HDMI ARC** mode.
9. **OPTICAL** Button
Press to switch to **OPTICAL** mode.



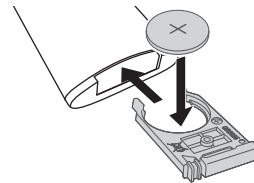
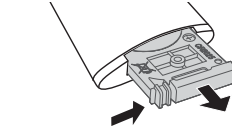
First-time Use of Remote Control

The unit has a pre-installed lithium CR2025 battery.
Remove the protective tab to activate the remote control battery.



Battery Replacement for the Remote Control

1. Gently push the tab of the battery tray in and slide it free from the remote control.
2. Replace with a new CR2025 battery.
3. Slide the tray back into the remote control. There will be a click once it is back in place.



Handling the Battery

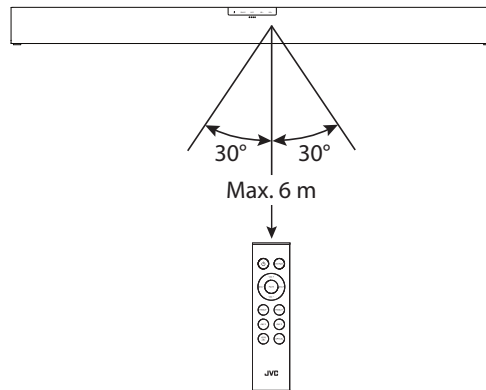
- Improper or incorrect use of batteries may cause corrosion or battery leakage, which could cause fire, personal injury or damage to property.
- Only use the battery type indicated in this manual.
- Do not install new batteries with used ones and do not mix different types of batteries.
- Do not dispose of used batteries as domestic waste. Dispose of them in accordance with local regulations.

Handling the Remote Control

- Do not drop the remote control.
- Do not allow anything to impact the remote control.
- Do not spill water or any liquid on the remote control.
- Do not place the remote control on a wet object.
- Do not place the remote control under direct sunlight or near sources of excessive heat.
- Remove the battery from the remote control when not in use for a long period of time, as corrosion or battery leakage may occur and result in physical injury, and / or property damage, and / or fire.
- When the battery is exhausted, the remote control will not function.

Remote Control Operation Range

- The remote control sensor on the front unit is sensitive to the remote control's commands up to a maximum of 6 metres away and within a maximum of a 60° arc.
- Please note that the operating distance may vary depending on the brightness of the room.

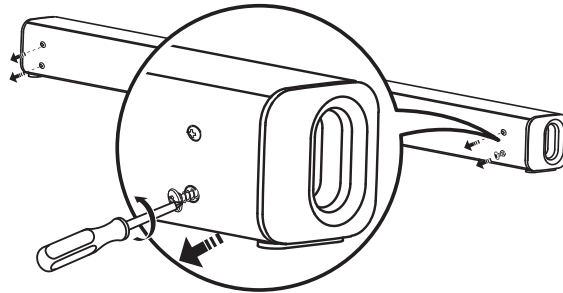


Wall Mounting

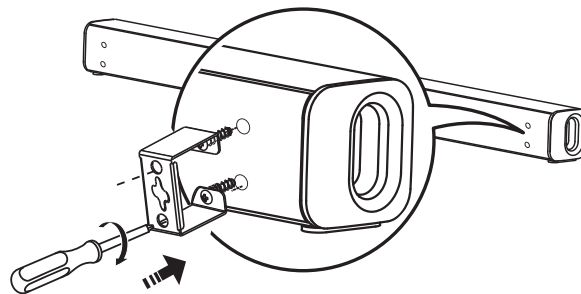


- Installation must be carried out by qualified personnel only. Incorrect assembly can result in severe personal injury and property damage (if you intend to install this product yourself, you must check for installations such as electrical wiring and plumbing that may be buried inside the wall). It is the installer's responsibility to verify that the wall will safely support the total load of the soundbar.
- Additional tools (not included) are required for the installation.
- Do not overtighten screws.
- Keep this instruction manual for future reference.
- Use an electronic stud finder to check the wall type before drilling and mounting.

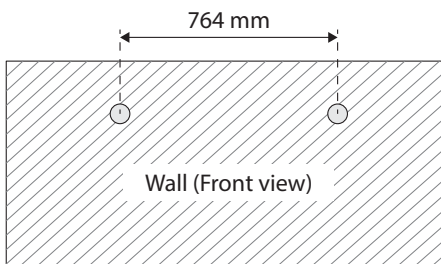
1. Remove the screws from the main unit.



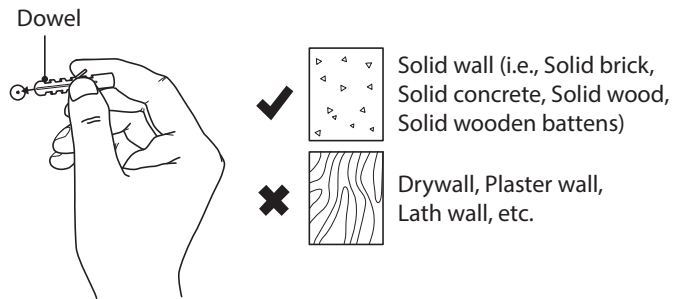
2. Attach the wall brackets to the main unit with the screws removed from the main unit.



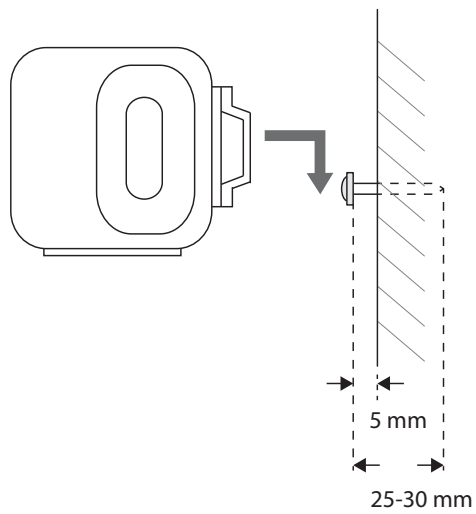
3. Drill 2 parallel holes (Ø 3-8 mm each according to wall type) in the wall. The distance between the holes should be 764 mm.



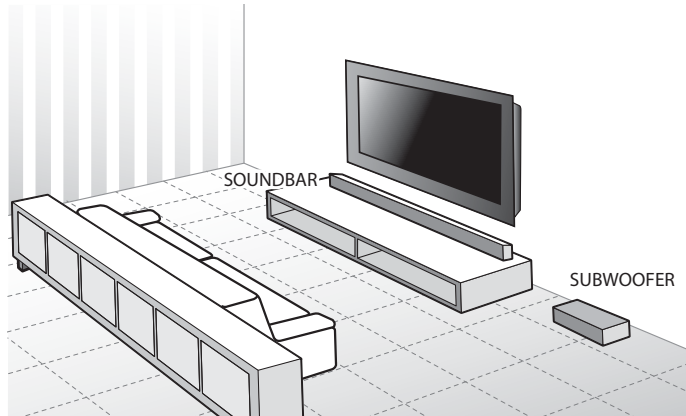
4. Firmly fix 1 dowel (included) into each hole in the wall if necessary.



5. Insert 1 screw (included) into each dowel. Be sure to leave a 5 mm gap between the wall and the screw's head. Lift the unit over the heads of the screws and slot into place.



Speakers Placement



- The subwoofer should be within 5 metres of the soundbar in an open area (the closer the better).
- Do not put anything on the top of the subwoofer.

Soundbar

Soundbar carries most of the dialogue as well as music and effects.

- If your TV is placed on a table, you can place the soundbar on the table directly in front of the TV stand, centred with the TV screen.
- If your TV is attached to a wall, you can mount the soundbar on the wall directly below the TV screen.

Subwoofer

A subwoofer is designed to reproduce powerful low bass effects (explosions, the rumble of spaceships, etc.).

- The performance of a subwoofer is directly related to its placement in the listening room. Experiment with placement before choosing a final location for your subwoofer. Find the location where the bass performance is best.

Connections

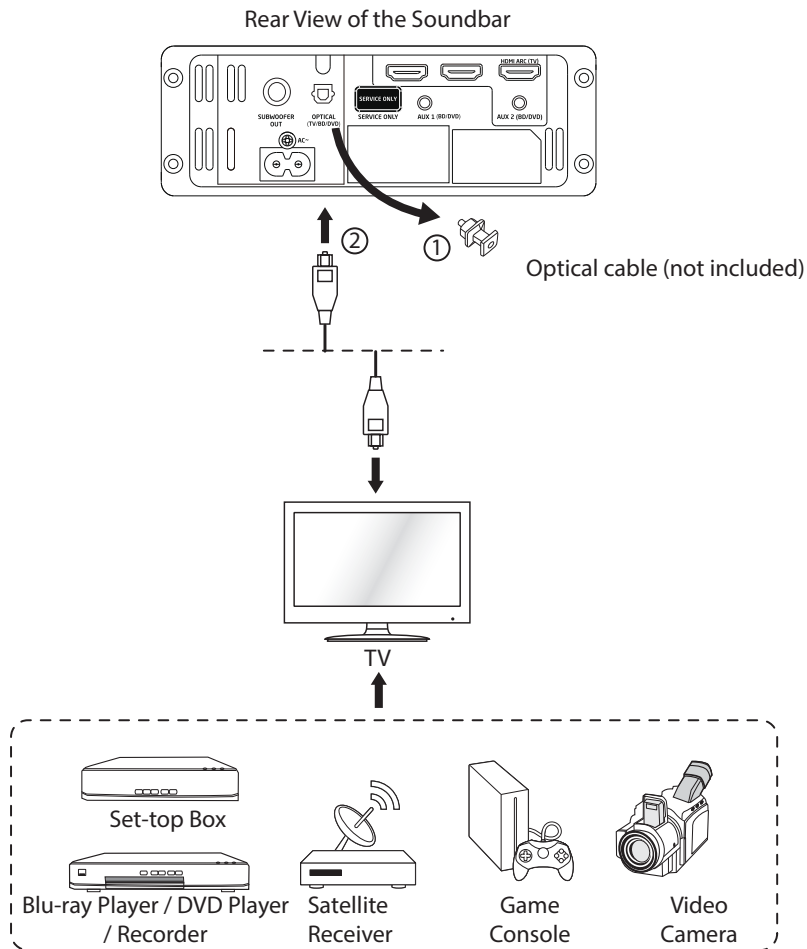


This section involves various methods of connecting the product to other external components. Ensure all audio connections of the unit are connected before connecting to the mains power socket.

Method 1: Optical Connection

Use an optical cable (not included) to connect the soundbar's **OPTICAL** socket to the **OPTICAL OUT** socket of the external device. The simplest option is to connect your soundbar directly to your TV. If you connect the soundbar to another external device (e.g. Blu-Ray player), you will hear the sound from that device through the soundbar.

1. After connection, press **⏻** button on the unit or remote control to switch the unit on.
2. Press **SOURCE** on the unit or **OPTICAL** on the remote control to select **OPTICAL** to play audio from your input device.



The unit may not be able to decode all digital audio formats from the input source. In this case, the unit will mute. This is NOT a defect. Ensure that the audio setting of the input source (e.g. TV, game console, DVD player, etc.) is set to **PCM** (Refer to the user manual of the input source device for its audio setting details) with **Optical** input.

Method 2: HDMI Hub Connection



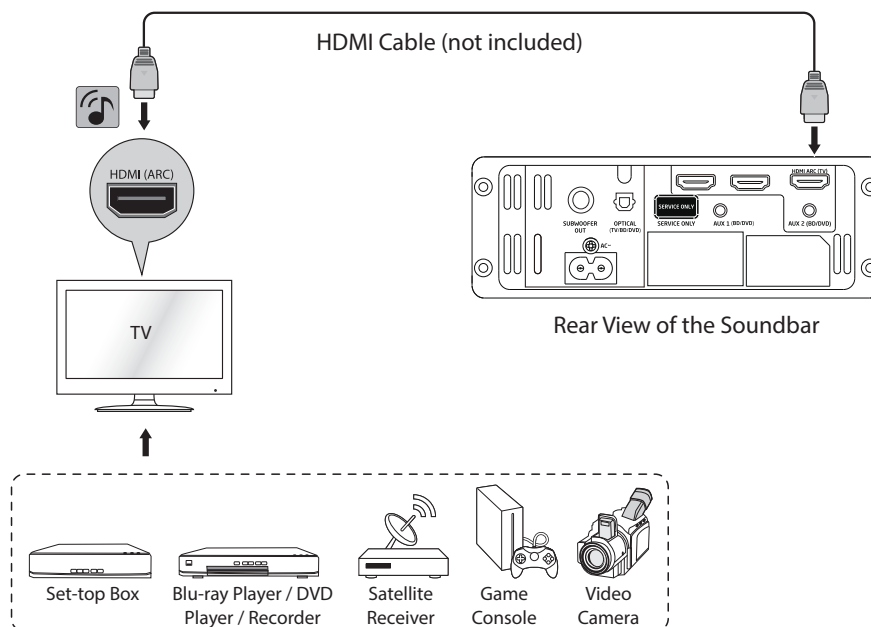
- Ensure HDMI cables that can support the ARC function are used.
- HDMI-CEC will be called different names by different manufacturers – please refer to your owner’s manual for details on setting up HDMI-CEC and ARC.
- While using a HDMI cable for ARC function, CEC (Consumer Electronics Control) provides interoperability between the unit and various devices (e.g. TV). However, this unit is not guaranteed to fully operate with all HDMI-CEC enabled devices. This is NOT a defect.

Using Your TV as a Hub

The ARC (Audio Return Channel) function allows sound to travel to and from your ARC-compliant TV to your soundbar through a single HDMI connection. To enjoy the ARC function, please ensure that your TV is both HDMI-CEC and ARC compliant and set up accordingly. When correctly set up, the CEC feature allows you to adjust the volume output (**VOL +/-** and **MUTE**) of the soundbar with the TV remote control. When you switch your TV on/off with your remote control, your soundbar will also be switched on/off. Be patient that it might take a few seconds for your TV to tell your soundbar to switch on or off.

Use this method to connect all your devices into your TV.

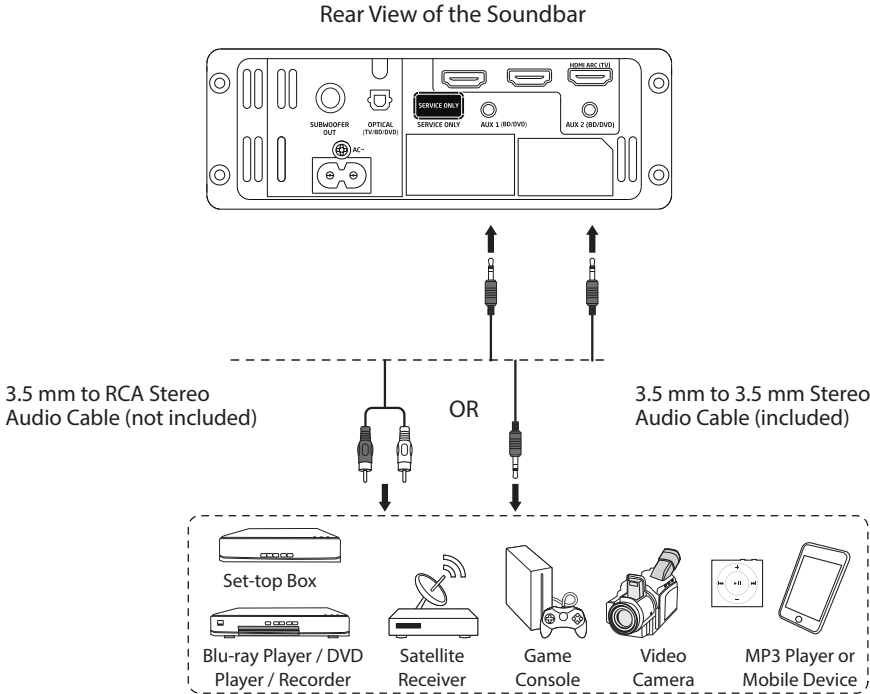
1. Connect an HDMI cable (not included) from your soundbar’s **HDMI ARC (TV)** socket to the **HDMI (ARC)** socket on your ARC-compliant TV.
2. After connection, press **⏻** button on the unit or remote control to switch the unit on.
3. Press **SOURCE** on the unit or **HDMI ARC** on the remote control to select **HDMI ARC** mode to play audio from your input device.



The unit may not be able to decode all digital audio formats from the input source. In this case, the unit will mute. This is NOT a defect. Ensure that the audio setting of the input source (e.g. TV, game console, DVD player, etc.) is set to **PCM** (Refer to the user manual of the input source device for its audio setting details) with **HDMI** input.

Method 3: AUX Connection

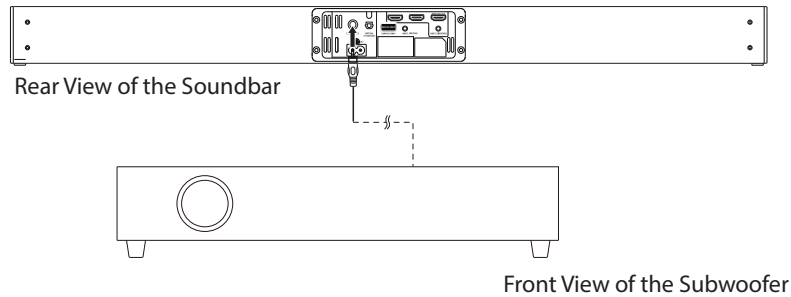
1. Use a 3.5 mm to RCA stereo audio cable (not included) or a 3.5 mm to 3.5 mm stereo audio cable (included) to connect the soundbar's **AUX 1 / AUX 2** socket to the **AUDIO OUT / HEADPHONES** sockets of the external device.
2. After connection, press **⏻** button on the unit or remote control to switch the unit on.
3. Press **SOURCE** on the unit or **AUX 1 / AUX 2** on the remote control repeatedly to select **AUX 1 / AUX 2** to play audio from your input device.



Ensure the colours on the cable plugs match with the colours on the input and output sockets.

Connecting the Subwoofer to the Soundbar

Connect the subwoofer cable into the **SUBWOOFER OUT** socket of the soundbar.

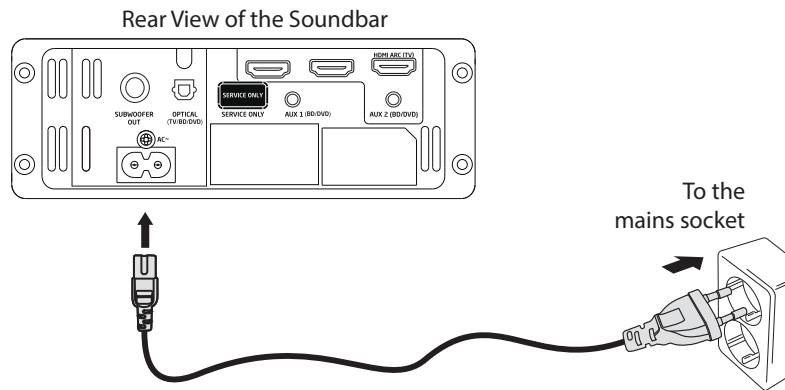


Connecting to the Mains Supply

The soundbar is designed to operate with the supplied mains cable.



- Connecting the unit to any other power source may damage the unit.
- Ensure all audio connections of the unit are connected before connecting to the mains power socket.
- Make sure the mains plug is firmly inserted into the mains socket.
- To switch the unit off completely, remove the mains plug from the mains socket.
- Please turn the unit off completely to save energy when not in use.
- The mains cable are designed for this JVC soundbar only. DO NOT use the mains cable for other purposes.



Soundbar

Unwind the mains cable to its full length. Connect the end of the cable to the **AC~** Socket at the rear of the unit and then connect the mains plug to the mains socket. Make sure the mains plug is fully inserted into the mains socket.

Standby / ON

When you first connect the unit to the mains socket, the unit will be in **Standby** mode.

- Press **⏻** on the unit or on the remote control to switch the unit on.
- Press **⏻** on the unit or on the remote control again to switch the unit back to **Standby** mode. The Power Indicator will light up red.

Automatic Power Off Function

The unit automatically turns to **Standby** mode after about 15 minutes if the TV or the external unit is disconnected, switched off or the volume is too close to mute.



- To switch the unit off completely, remove the mains plug from the mains socket.
- Please turn the unit off completely to save energy when not in use.

Selecting Modes

Press **SOURCE** on the unit repeatedly to select between **AUX 1**, **AUX 2**, **OPTICAL**, and **HDMI ARC** mode.



Alternatively,

- press **AUX 1 / AUX 2** on the remote control to select **AUX 1** and **AUX 2** mode.
- press **OPTICAL** on the remote control to select **OPTICAL** mode.
- press **HDMI ARC** on the remote control to select **HDMI ARC** mode.

Adjusting the Speaker Level Settings and Effects

Adjusting the Volume

- Press **VOL + / -** to adjust the volume.
- If you wish to turn the sound off, press **MUTE** on the remote control. Press **MUTE** again, or press **VOL + / -** on the unit or on the remote control to resume normal listening.

Adjusting the Bass Volume Level

Press **BASS + / -** repeatedly to adjust the bass volume level.

Adjusting the Treble Volume Level

Press **TREBLE + / -** repeatedly to adjust the treble volume level.

AUX / Optical / HDMI Operation

There are **OPTICAL / AUX 1 / AUX 2** and **HDMI ARC** sockets located at the rear of the unit.

1. Before connecting to the mains socket, ensure all the connections are completed.
2. While in the **On** mode, press **SOURCE** on the unit repeatedly to select between **AUX 1**, **AUX 2**, **OPTICAL**, and **HDMI ARC** mode.



Alternatively,

- press **AUX 1 / AUX 2** on the remote control to select **AUX 1** and **AUX 2** mode.
- press **OPTICAL** on the remote control to select **OPTICAL** mode.
- press **HDMI ARC** on the remote control to select **HDMI ARC** mode.

3. Operate your audio device directly for playback features.



While in **OPTICAL/HDMI ARC** mode, if there's no sound output from the unit, ensure that the audio setting of the input source (e.g. TV, game console, DVD player, etc.) is set to **PCM** (Refer to the user manual of the input source device for its audio setting details) with **OPTICAL/HDMI** input.

Maintenance



Ensure the unit is fully unplugged from the mains socket before cleaning.

- To clean the units, wipe the case with a slightly moist, lint-free cloth.
- Do not use any cleaning fluids containing alcohol, ammonia or abrasives.
- Do not spray aerosol at or near the unit.

Hints and Tips

If a problem does occur, it may often be due to something very minor. The following table contains various tips. If you require additional assistance please click on the link for Support Centre:

Norway: www.elkjop.no/service

Sweden: www.elgiganten.se/service

Denmark: www.elgiganten.dk/service

Finland: www.gigantti.fi/huolto

Problem	Solution
No power.	<ul style="list-style-type: none">• Ensure the mains plug is connected.• Make sure that you select the On mode.
The remote control does not function.	<ul style="list-style-type: none">• Use the remote control near the unit.• Point the remote control at the remote sensor on the unit.• Replace the battery in the remote control with a new one.• Remove any obstacles between the remote control and the unit.
Loud hum or noise is heard.	<ul style="list-style-type: none">• The plugs and sockets are dirty. Wipe them with a cloth slightly moistened with alcohol.
No sound from the soundbar and subwoofer.	<p>Please try either one of the solutions below:</p> <ul style="list-style-type: none">• Make sure that the unit is not muted. Press MUTE or VOL +/- button to resume normal listening.• Press ⏻ on the unit or on the remote control to switch the soundbar to standby mode. Then press the ⏻ button again to switch the soundbar on.• Unplug the soundbar from the mains socket, then plug it in again. Switch on the soundbar.• Ensure the audio setting of the input source (e.g. TV, game console, DVD player, etc.) is set to PCM mode while using digital (e.g. HDMI, OPTICAL) connection.• The unit may not be able to decode all digital audio formats from the input source. In this case, the unit will mute. This is NOT a defect.
The unit does not respond when pressing any buttons.	<ul style="list-style-type: none">• The unit may freeze up during use. Switch the unit off and then on again at the mains socket to reset the unit.

Specifications

Sound Bar

Power Supply	AC120V~ 60Hz
Power Consumption	30 W
Output Power	30 W x 2
USB Socket.....	5V == 0.5A
Audio input sensitivity.....	700mV
Frequency Response	120Hz - 20KHz
Unit Dimension (W x H x D).....	952 x 63 x 65.7 mm
Speaker Impedance	8 Ω x 2

Bluetooth

Version	V 4.2
Maximum power transmitted	<20 dbm
Frequency bands.....	2402 MHz ~ 2480 MHz

Remote Control

Distance.....	6m
Angle	30°
Battery Type	CR2025

- Design and specifications are subject to change without notice.