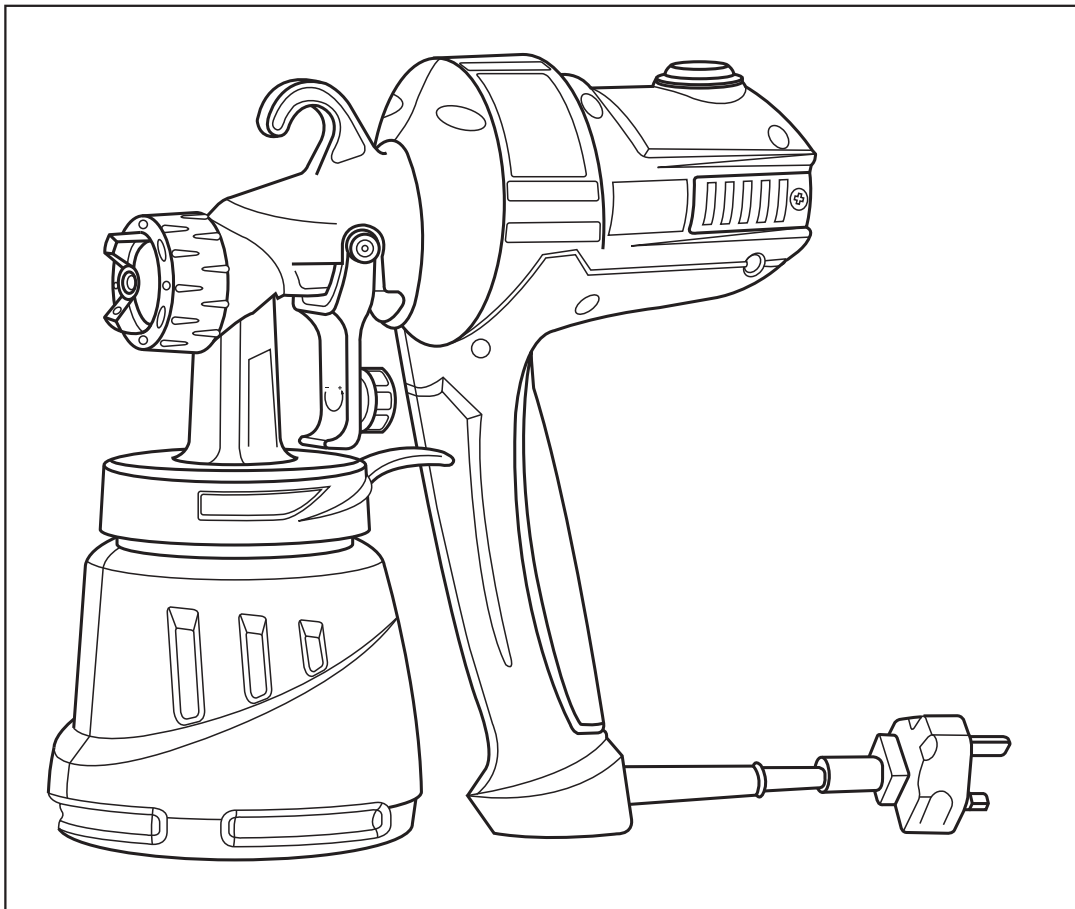




paint SPRAYER ELITE

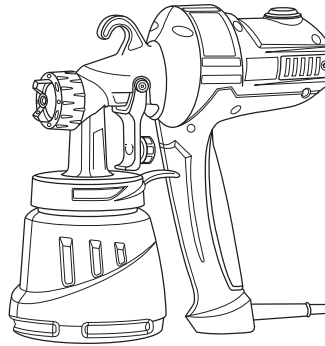


Original Instructions





paint SPRAYER ELITE



Thank you for purchasing the Paint Sprayer Elite from JML. This improved paint spraying system will help you to enjoy fast, simple, superior painting results on surfaces large and small, with no drips or spills. The 360° spray technology means that you can spray in a horizontal or vertical pattern, and there's even a detailing spray setting so you can paint in every awkward nook, cranny and corner. It's never been easier to achieve the perfect finish every time.

To make the best use of this product and to use it safely, please read these instructions thoroughly and keep for future reference.

Contents

Safety Warnings & Advice	3
Components	8
Before Use - Preparation	9
Aligning the Suction Tube	10
Spray Pattern	11
Using Paint Sprayer Elite	12
After Use	13
Maintenance	16
Troubleshooting	17
Guarantee	18



Safety Warnings & Advice

This appliance is not intended for use by persons (including children) with reduced physical, sensory or mental capabilities, or a lack of experience and knowledge, unless they have been given supervision or instruction concerning the use of this appliance by a person responsible for their safety.



This symbol indicates a hazardous situation, which, if not avoided, could result in death or serious injury.

KEEP OUT OF REACH OF CHILDREN

The Paint Sprayer Elite is not designed for, and should not be used to apply any kind of self tanning solution - failure to follow this warning could result in serious injury.


HAZARD: EXPLOSION OR FIRE

Solvent and paint fumes can explode or ignite.

Property damage and/or severe user injury can occur.

PREVENTION

- **PROVIDE** plenty of ventilation in the spray area at all times to ensure no build-up of flammable vapours; flammable vapours are often heavier than air and can accumulate along the floor or ground.
- **KEEP** your work area clean, well lit and free of paint or solvent containers, rags and other flammable materials - spontaneous combustion may occur.

- **AVOID** all ignition sources such as: static electric sparks, open flames, pilot lights, other electrical products and hot objects, engines, cigarettes, sparks from plugging and unplugging power cords, and operating switches. 

- Connecting or disconnecting power cables or working light switches can cause sparks.


- **DO NOT SMOKE IN THE SPRAY AREA!**

- **DO NOT** clean the spray gun with inflammable solvents.

- **DO NOT USE** materials with a flashpoint below **70°F (21°C)**. **What is a flashpoint?** The flashpoint of a volatile material is the lowest temperature at which it can vaporise to form an ignitable mixture in air. (consult coating supplier)

- **ALWAYS** follow material and solvent manufacturer's warnings and instructions.

- **PLASTIC CAN CAUSE SPARKS.** Never hang plastic to enclose a spray area. **DO NOT** use plastic drop clothes when spraying any flammable materials.

- **A fire extinguisher** must be present and in good working order. 

HAZARD: HAZARDOUS VAPOURS

Paints, solvents, insecticides and other materials can be harmful if inhaled or if they come into contact with the body.


Vapours can cause severe nausea, fainting, poisoning and death.

Safety Warnings & Advice continued

PREVENTION

- **ALWAYS** use a respirator or protective mask when spraying. 
- **ALWAYS** use eye and ear protection when spraying.
- **ALWAYS** wear protective clothing.

HAZARD: ELECTRIC SHOCK

Can cause severe injury. 

PREVENTION

- **KEEP** the electrical cable, plug and spray gun trigger free from paint and any other liquids.
- **DO NOT** abuse the power cord. **DO NOT** use if the power cord is damaged in anyway. **NEVER** use the power cord for carrying, pulling or unplugging the Paint Sprayer. **KEEP** the cord away from heat, oil, sharp edges and/or objects with moving parts.
- **DO NOT USE** the Paint Sprayer if the power switch does not turn it on or off. Any power tool that cannot be controlled by the power switch is dangerous and must be repaired.
- **ALWAYS** switch off and disconnect from the power supply before making any adjustments to settings, changing accessories or storing the Paint Sprayer.
- The Paint Sprayer Elite's plug **MUST** match the power outlet. **NEVER** modify the plug in anyway.
- **NEVER** use adaptors with earthed (grounded) power tools.
- **AVOID** body contact with earthed or grounded surfaces, such as pipes,

radiators, cookers and refrigerators - there is an increased risk of electrical shock if your body is earthed or grounded.

- **DO NOT** expose your Paint Sprayer Elite to rain or wet conditions.
- **WHEN** operating the Paint Sprayer outdoors, use an extension cord suitable for outdoor use.
- **IF** operating the Paint Sprayer in a damp environment is unavoidable, use a residual current device (RCD) protection system.

Failure to observe these recommendations may result in an electrical shock.

HAZARD: EXPLOSION

Explosion hazard due to incompatible materials will cause property damage and/or severe user injury.

PREVENTION

- **DO NOT USE** materials containing bleach or chlorine.
 - **DO NOT USE** halogenated hydrocarbon solvents such as bleach, mildewicide, methylene chloride and 1, 1,1-trichloroethane **if you are painting aluminium.**
- Contact your coating supplier about the compatibility of painting material with aluminium.
- **DO NOT** use cleaning or thinning solvents or lubricants containing silicone - these are **NOT** compatible with the spray gun.



Safety Warnings & Advice continued

HAZARD: GENERAL

PREVENTION

- **ALWAYS** stay alert and be aware. Watch what you are doing and use common sense when handling and/or operating the Paint Sprayer.
- **USE SAFETY EQUIPMENT** - Always use eye protection and a respirator or protective mask when spraying or handling chemicals. Safety equipment such as non-slip shoes, hard hats, safety gloves, steel toe cap boots and hearing protection when used in the appropriate conditions will reduce the risk of personal injury.
- **NEVER** point, aim and/or trigger the spray jet against yourself, other persons or animals. Keep your hands and fingers away from the spray jet. If the spray jet should penetrate the skin, seek medical advice immediately from a qualified doctor or nurse.
- **DO NOT TREAT** skin penetration as a simple cut. High pressure spray is able to inject toxins into the body and cause serious bodily injury. In the event that injection occurs, seek medical advice immediately from a qualified doctor or nurse.
- **DO NOT USE** the Paint Sprayer if you are tired, or under the influence of drugs, alcohol or medication.
- **ALWAYS** keep the Paint Sprayer Elite **OUT OF THE REACH OF CHILDREN** and **DO NOT** allow persons unfamiliar with Paint Sprayer Elite or these instructions to operate the appliance.
- **DRESS PROPERLY** - Loose fitting clothing and jewellery can increase the risk of injury.
- **Maintain** your Paint Sprayer, check for misalignment or binding of moving parts, breakage of parts and any other conditions that may affect the operation. If damaged in anyway, contact: **JML customer service on freephone - 0800 781 7831.**
- **USE** the Paint Sprayer Elite, accessories and application tools in accordance with these instructions, taking into account the working conditions and the work to be carried out.
- **ONLY** use nozzles / nozzle inserts provided by the manufacturer. **NEVER** spray without the nozzle protection in place.
- **ALWAYS** exercise caution when cleaning or adjusting the nozzle, if the nozzle becomes clogged during spraying, please refer to the cleaning instructions supplied with this instructional guide.
- **DO NOT** overreach, keep proper footing and balance at all times.
- **BEWARE** of possible hazards from the spray material. Observe the information on any drums, tanks or tins as well as the manufacturer's information about the spray material. **Manufacturer's instructions are to be observed in order to reduce the risk to the user.**
- **DO NOT** spray any materials where the hazard is not known.
- **PREVENT** unintentional operation; ensure the power switch is in the off

Safety Warnings & Advice continued

position before connecting to the power supply, picking up or carrying the Paint Sprayer Elite.

- **DO NOT SPRAY** outdoors on windy or rainy days.
- **Household use only.**
- **Intended for indoor/outdoor use ONLY with materials with a flashpoint above 70°F (21°C).**

CE - DECLARATION OF CONFORMITY

Manufacturer:
Company: UQS Global Ltd.
Address: 2nd floor, Building 9, No.1555 West Jinshajiang Road, Shanghai, China 201803
Contact: Hunter Zhang (Chief Representative)


EU- Importer:
Company: JML Direct Ltd.
Address: JML House, Regis Road, London NW5 3EG, UK
Contact: Fergal Furey (Product Development Manager)

Product:
Product designation: Electric Spray Gun
Model: Q1P-WYT10-800

In accordance with guidelines:
2006/42/EC
2006/95/EC
2004/108/EC
2002/95/EC
2002/96/EC

The manufacturer hereby declares that the above mentioned product complies with all fundamental safety and healthy requirements of the guideline stated above including their amendments valid at the time of this declaration.

The following harmonised standards have been compiled with:
EN 60745-1:2009+A11:2010
EN 60745-2-7:201X
EN 50144-1:1998+A1:2002+A2:2003
EN 50144-2-7:2000
EN 55014-1:2006/+A1:2009
EN 55014-2:1997/+A1:2001/+A2:2008
EN 61000-3-2:2006/+A1:2009/+A2:2009
EN 61000-3-3:2008

 2011-10-8

Noise and Vibration Information

Measured values determined according to EN 60745

LpA - Sound Pressure	87 dB(A)
KpA - Sound Pressure Uncertainty	3 dB(A)
LwA - Acoustic Power	98 dB(A)
LwA - Acoustic Power Uncertainty	3 dB(A)
Hand-arm Vibration	ah10.67 m/s ²
Hand-arm Vibration Uncertainty	1.5 m/s ²

WARNING - The vibration emission during actual use of the Paint Sprayer can differ from the declared total value depending on the way the tool is used. Identify safety measures to protect the operator based on estimated exposure in use.





Safety Warnings & Advice continued

U.S. ONLY: GENERAL HAZARDS

If used incorrectly, Paint Sprayer Elite can cause property damage and/or severe user injury.

PREVENTION

- Read all appropriate safety precautions before operating the appliance.
- Follow all appropriate local, state and national codes governing ventilation, fire prevention and operation.
- The United States Government Safety Standards have been adopted under the Occupational Safety and Health Act (OSHA). These standards, particularly part 1910 the general Standards and part 1926 of the construction Standards should be consulted.
- Use only manufacturer authorised parts. User assumes all risk and liabilities when using parts that do not meet the minimum specifications and safety devices of the turbine manufacturer.
- Power cable must be connected to a grounded circuit.
- All swivels, guns and accessories must be rated at or above 10 PSI.
- **ALWAYS WEAR** protective clothing to keep paint off skin and hair.
- **NEVER** aim the spray gun at any part of the body of either a human or animal.

GROUNDING INSTRUCTIONS

This product must be grounded. In the event of an electrical short circuit, grounding reduces the risk of electrical shock by providing a cord with a grounding wire and the appropriate grounding plug. The plug must be plugged into an outlet that is properly installed and grounded in accordance with all local codes and ordinances.

WARNING - Improper installation of the grounding plug can result in an electrical shock.



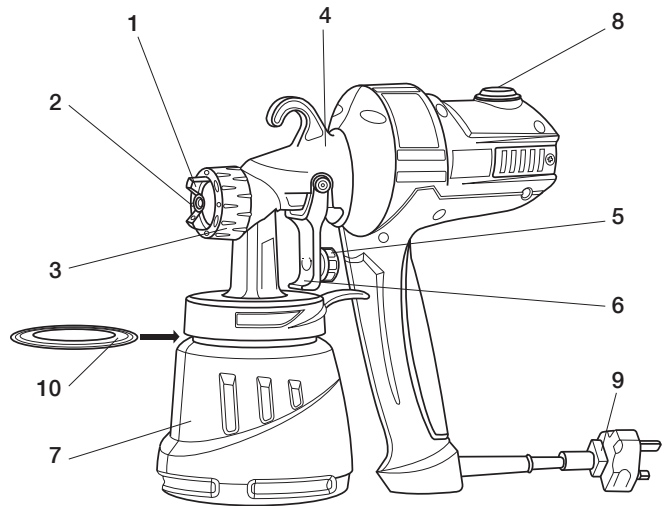
If repair or replacement of the cord or plug is necessary, **DO NOT** connect the green grounding wire to either flat blade terminal. The wire with insulation having a green outer surface with or without yellow stripes is the grounding wire and must be connected to the grounding pin.

Check with a qualified electrician or serviceman if the grounding instructions are not completely understood or if you are in doubt as to whether the product is properly grounded.

DO NOT modify the plug provided.

If the plug does not fit the outlet, have a proper outlet installed by an approved, qualified electrician.

Components



- | | |
|----------------------------|---------------|
| 1. Air cap | 6. Trigger |
| 2. Nozzle | 7. Container |
| 3. Nut | 8. Switch |
| 4. Gun body | 9. Power plug |
| 5. Volume adjustable screw | 10. Seal |





Before Use - Preparation

This unit cannot be used for textured paints. Use of these materials will cause premature wear to the unit, which will void the guarantee. To obtain the best results from the Paint Sprayer, please read the instructions fully before use and retain for future reference.

! Intended for use **ONLY** with painting liquids with a flashpoint above 70°F (21°C).

DO NOT use materials with a flashpoint below 70°F (21°C).

What is a flashpoint? The flashpoint of a volatile material is the lowest temperature at which it can vaporize to form an ignitable mixture in air.

This Paint Sprayer can be used with products having a viscosity ranging from 25 to a maximum of 50 seconds.

IMPORTANT - Always read the manufacturer's warnings and guidance on the container before use.

DO NOT spray any material where any hazards are not known.

To test the viscosity

- Dip the viscosity cup supplied into the painting material and fill to the top.
- Time how long it takes the viscosity cup to empty.
- Refer to the guide below or the paint manufacturer's instructions to determine if the paint requires thinning.



Thinning Chart

Material	Runout Time in Seconds
1) Oil enamel	25-40
2) Oil based primer	30-45
3) Oil stain	No thinning required
4) Clear sealer	No thinning required
5) Polyurethane	No thinning required
6) Varnish	20-50

If the painting material requires thinning

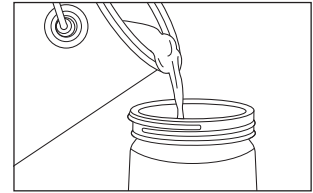
- To select the correct thinning agent, determine if the material is water based or oil based. **For water based paint use water based thinner. For oil based paints use oil based thinner.**
- Start with a 10% dilution of the painting material.
- To do this, fill the Paint Sprayer Elite container with the required amount of paint or material. The viscosity cup supplied holds 1/10 of a litre; block the hole in the cup and fill-up with the required thinner.
- Add the thinner to the paint and stir. Then measure the viscosity again.
- If the painting material requires further thinning, dilute by another 5% (5% is equal to half the viscosity cup) with the correct thinner and measure the viscosity. If the paint requires further thinning, repeat the process until the correct viscosity is reached.

TIP - Keep a small amount of paint to one side to add if you over dilute with thinners.

Before Use - Preparation continued

Filling the Paint Sprayer Elite

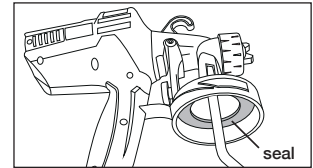
- Ensure the unit is unplugged and switched to the off position.
- Unscrew the container from the spray gun.
- After the paint / material has been properly thinned, fill the container to the top of the neck.
- Carefully screw the container back on to the spray gun.



IMPORTANT - Never fill over the max fill level of 800ml.

NOTE - Ensure the seal is in place before screwing the container back onto the spray gun.

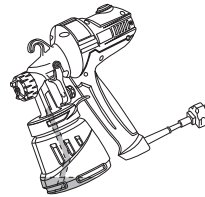
The seal is located in the collar of the Paint Sprayer and is used to create an air-tight seal between the paint container and the Paint Sprayer.



Aligning the Suction Tube

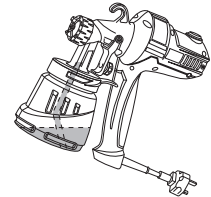
The suction tube inside the container **MUST** be in place each time you use the Paint Sprayer.

If you are going to be spraying in a downward direction, the angled end of the suction tube should be pointing toward the front of the gun.



NOTE - The Paint Sprayer is not suitable for painting ceilings and/or any surface where the Paint Sprayer requires more than a 45 degree angle for spraying.

If you are going to be spraying in an upward direction, the angled end of the suction tube should be pointing toward the rear of the gun.



By pointing the suction tube in the proper direction, you will not have to refill the container as often.

IMPORTANT - Never tip the Sprayer upwards at more than a 45 degree angle. Material could get into the turbine and damage the Sprayer.





Spray Pattern

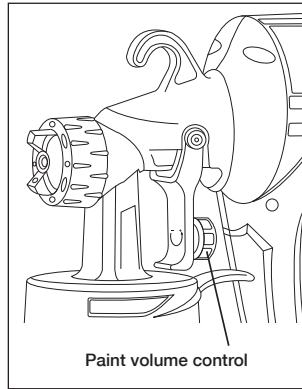
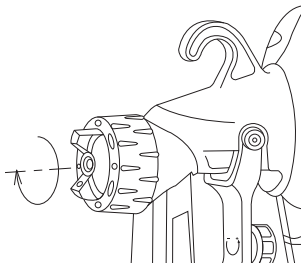
The spray gun has 3 different spray patterns: Vertical - Horizontal - Round.

The vertical and horizontal patterns are recommended for larger surfaces. The round spray pattern is used for small objects or for areas - such as corners - that are difficult to reach.

Test each spray pattern to determine which is the most suitable for your spraying task.

To adjust the pattern

1. Ensure the Paint Sprayer is turned off.
2. Loosen the air cap - turn anticlockwise.
3. Adjust the position of the air cap to obtain the vertical, horizontal or round pattern.
4. Retighten the air cap

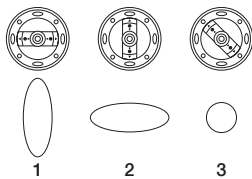


DO NOT trigger the gun while adjusting the air cap.

Material flow adjustment

The Paint Sprayer has an adjustable paint volume control located on the rear of the trigger.

To adjust: Simply turn the paint volume control to increase (+) or decrease (-) the flow.



1. Air cap running left to right: Vertical jet
2. Air cap running top to bottom: Horizontal jet
3. Air cap running diagonal: Round jet



Using Paint Sprayer Elite

How to spray

If spraying with a paint sprayer spray system is new or unfamiliar to you, it is advisable to practice on an area of scrap wood or cardboard before beginning on your intended work surface.

Preparation

All objects and surfaces you intend to paint should be cleaned before you begin spraying.

All areas **NOT** intended for painting should be covered or masked off.

Preparation - outdoor use only

IMPORTANT - Observe the wind direction when operating the Sprayer outdoors and wear suitable eyewear, ear, breathing and clothing protection.

The spray area **MUST** be clean and free of dust in order to prevent any unwanted materials making contact with the painted surface.

IMPORTANT - Please follow all environmental guidelines if spraying outdoors. Be aware of your environment and dispose of any unused materials in the correct manner.

Spraying

- First, carry out a test-spray run and adjust the spray pattern and the spray material quantity according to the spray material (for adjustments please refer to page 11)
- Make sure you hold the Sprayer vertical and parallel to the target area, at a distance of between 5 - 15cm.
- Always begin spraying outside of the target area to prime the trigger.
- Move the spray gun evenly cross-wise or up and down, depending on the spray pattern.
- An even surface quality is achieved when the spray paths overlap by 4 - 5 cm.
- To ensure a complete even finish, you may need to spray over the edge of the target area. This will avoid a thin coat around the edges of the target area.

NOTE - An even movement of the spray gun results in an even spray.

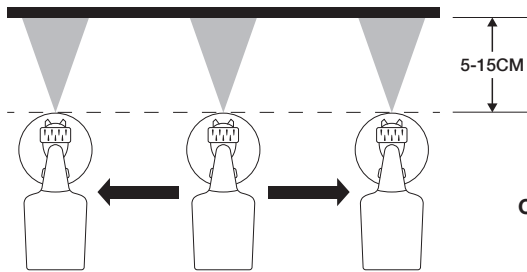
Keep your wrist straight and parallel to the surface.

If you bend your wrist or arm while painting, the angle of the spray may lead to a heavy paint formation in certain areas, resulting in an uneven finish.

TIP - Never spray the container completely empty, when the suction tube no longer immerses in the spray material, air bubbles will be created causing a break in the flow from the jet spray, resulting in an uneven spray pattern.



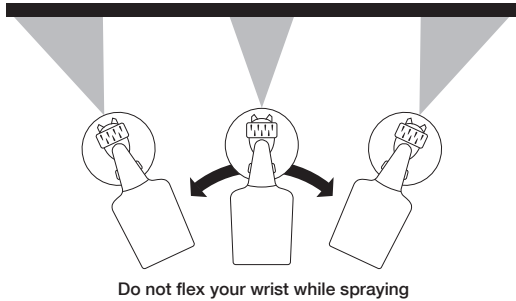
Using Paint Sprayer Elite continued



Correct



Light coat Heavy coat Light coat



Incorrect



After Use

Cleaning



For use with inflammable solvents - must have a flashpoint above 70°F (21°C).

What is a flashpoint? The flashpoint of a volatile material is the lowest temperature at which it can vaporise to form an ignitable mixture in air.

13

After Use continued

Proper cleaning is required for flawless operation of the Sprayer. Improper or lack of cleaning voids warranty claims.

DO NOT clean the spray gun with inflammable solvents.

ALWAYS clean the spray gun and container with the respective diluting agent (paint thinner or water) for the spray material being used.

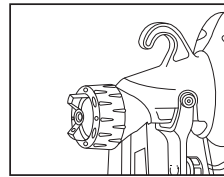
DO NOT use any cleaning or thinning solvents or lubricants containing silicone - these are not compatible with the spray gun.

DO NOT SUBMERGE THE SPRAY GUN.

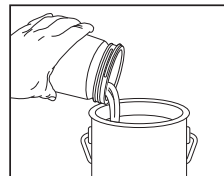
ALWAYS clean the spray gun outside in a safe area.

ENSURE the area is free from any flammable vapours and the area is well ventilated.

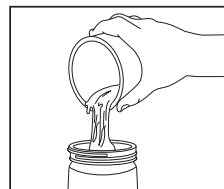
Instructions for cleaning



1. Turn off and unplug the spray gun, and press the trigger so any painting material inside the spray gun flows back into the container.



2. Unscrew the container. Empty any remaining paint back into its original container. **NOTE - DO NOT** return any paint that has been diluted/thinned back into its original container - dispose of in the correct manner or store in a separate sealed container.



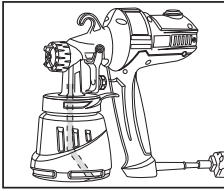
3. Pour a small amount of appropriate cleaning solution into the Paint Sprayer container. Clean the container and dispose of the cleaning solution in an appropriate manner.
4. Refill the container with a small amount of **NEW** cleaning solution.

14

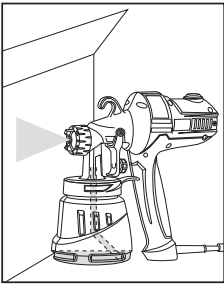




After Use



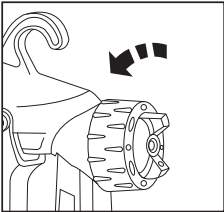
5. Re-attach the container to the gun, plug in the Sprayer and turn on.



6. **IN A SAFE AREA** - In an empty material tin, spray the solution through the gun for approximately 2 seconds, release the trigger and spray again for approximately 2 seconds. Repeat this process until clear cleaning solution emerges from the spray gun.

7. Unplug the Sprayer and then pull the trigger so the remaining material flows back into the container.

8. Unscrew the container again. Empty the container of any remaining cleaning solution and dispose of the liquid in the correct manner. Wipe the exterior of the paint container and the gun until clean.



9. Unscrew the nut (clean), then remove the air cap and nozzle and clean. Remove the suction tube and clean – use an appropriate cleaning solution. Check the container seal and clean with water if required.

NOTE - There is a small rubber washer located inside the nozzle, ensure this is in place before reassembly.

10. After cleaning the spray gun carefully reassemble.

NOTE - If the spray nozzle becomes clogged during spraying, please refer to cleaning points 1, 9 and 10 above.



After Use continued

IMPORTANT - NEVER clean the nozzle or the air holes in the spray gun with sharp metal objects as this may cause damage.

Material disposal

Diluting/thinning agents and remainders of paint material must be disposed of in an

environmentally friendly manner. Observe the manufacturer's disposal information and local regulations for the disposal of hazardous waste.

Chemicals harmful to the environment may not be disposed of into soil, groundwater or bodies of water. Never pour chemicals harmful to the environment down the drain and/or into the sewerage system.

Maintenance

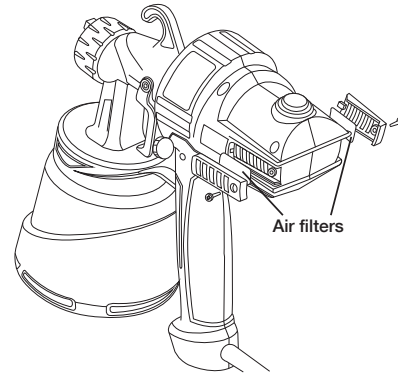
You should inspect the side air filters in the turbine regularly to see if they are excessively dirty. If they are dirty, follow the steps below to clean.

1. Switch off the Sprayer and unplug from the mains.
2. Remove the screws on the two turbine filter covers (one on each cover).
3. Slide off the filter covers to remove.

4. Check if the filters are dirty.

5. If the filters are dirty, rinse in clean water and leave to air dry.

IMPORTANT - NEVER operate the Sprayer without the air filters in place. Dirt could be sucked into the turbine and may interfere with the operation of the spray gun.





Troubleshooting

Problem	Cause	Solution
Little or no painting material being sprayed	Nozzle clogged	Clean
	Suction tube clogged	Clean
	Material volume setting turned too low (-)	Increase paint volume setting (+)
	Suction tube loose	Re-insert tube
	No pressure build-up in the container	Tighten container
	Air filter clogged	Change
Material or paint leaking	Nozzle loose	Tighten
	Nozzle worn	Replace
	Nozzle seal worn	Replace
	Material build-up on air cap & nozzle	Clean
Atomisation too coarse	Viscosity of material too high	Thin material by 10%
	Material volume too large	Decrease paint volume (-)
	Material volume too high (+)	Decrease paint volume (-)
	Nozzle clogged	Clean nozzle
	Air filter clogged	Clean or change
	Too little pressure build-up in the container	Tighten container / check seal
Spray jet pulsates	Material in container is running out	Refill container
	Air filter is clogged	Clean / replace
	Spray material is too viscous	Thin material by 10%
Pattern runs	Applying too much painting material	Decrease paint volume setting (-)
Too much overspray	Gun too far from spray object	Reduce distance from object
	Too much painting material applied	Decrease paint volume setting (-)

17



Guarantee

This product is unconditionally guaranteed for one year against all defects of workmanship and materials. This guarantee does not affect your statutory rights. If you have any problems or queries about this product please contact JML.

JML Customer Helpline: 0800 781 7831

Technical Information

Technical Information	
Model number	Q1P-WYT10-800
Power (W)	400W
Voltage (V)	230 -240V
Rating frequency	50Hz
Protection class	II
Spraying capacity	380ml/min
Container capacity	800 ml
Mass of Paint Sprayer	1.13kg
Ingress protection	IP20



Disposal and the environment

This product is covered by the waste electrical and electronic equipment (WEEE) regulations. It should not be discarded with normal household waste, but taken to your local collection centre for recycling. For further information, please contact the local authority or approved disposal agency.

18



Product code: V16017



JML

JML House, Regis Road, London NW5 3EG

Tel: 020 7691 3800, Fax: 020 7691 3801

E-mail: info@JMLgroup.co.uk

Web: www.jmldirect.com

