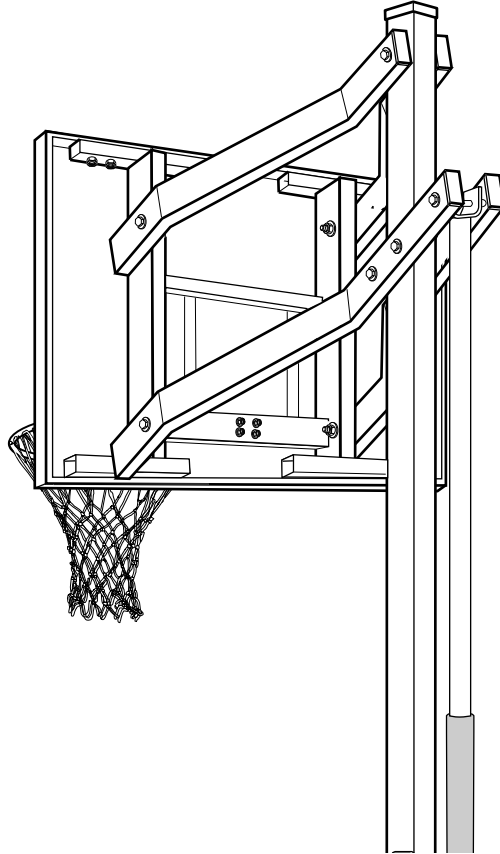


In-Ground Basketball System Owners Manual

Customer Service Center
• N53 W24700 South Corporate Circle • Sussex, WI 53089 • U.S.A.



Write Model Number
From Box Here:

! WARNING!

READ AND UNDERSTAND OPERATOR'S MANUAL BEFORE USING THIS UNIT.

FAILURE TO FOLLOW OPERATING INSTRUCTIONS COULD RESULT IN INJURY OR DAMAGE TO PROPERTY.

REQUIRED TOOLS AND MATERIALS:

<ul style="list-style-type: none"> • 3 People • Carpenter's Level • 15' Tape Measure • Shovel & Post Hole Digger • Wood Board (scrap) • Masking Tape • Marker 	<ul style="list-style-type: none"> • (2) Stepladders 8 ft. (2.4 m) • Safety Goggles • (2 each) Wrenches and/or Socket Wrenches and Sockets (Deep-Well Sockets are Recommended). <div style="display: flex; justify-content: space-around; align-items: center;"> <div style="text-align: center;"> <p>3/8" 1/2" 9/16" 3/4" 15/16"</p> </div> <div style="text-align: center;"> <p>• Optional: Large & Small Adjustable Wrenches</p> </div> </div>	<ul style="list-style-type: none"> CONCRETE • 1260 LBS. (572 KG.) • Container to Mix • Drill
---	---	---

Toll-Free Customer Service Number for U.S: 1-800-558-5234 Canada Only: 1-800-284-8339
Internet Address: <http://www.hydra-rib.com>

SAFETY INSTRUCTIONS

FAILURE TO FOLLOW THESE SAFETY INSTRUCTIONS MAY RESULT IN SERIOUS INJURY, PROPERTY DAMAGE AND WILL VOID WARRANTY.

Owner must ensure that all players know and follow these rules for safe operation of the system.

To ensure safety, do not attempt to assemble this system without following the instructions carefully. Proper and complete assembly, use and supervision is essential for proper operation and to reduce the risk of accident or injury. A high probability of serious injury exists if this system is not installed, maintained, and operated properly. Check entire box and inside all packing material for parts and/or additional instructional material. Before beginning assembly, read the instructions and identify parts using the hardware identifier and parts list in this document.

- If using a ladder during assembly, use extreme caution.
- Three (3) people are recommended for this operation.
- Seat the pole sections properly. Failure to do so could allow the pole sections to separate during play.
- Before digging, contact utility company to locate underground power cables, gas, and water lines. Ensure there are no overhead power lines within 20 ft. (7 m) radius of pole location.
- Climate, corrosion, excessive use, or misuse could result in system failure.
- If technical assistance is required, contact Huffy Sports.
- Minimum operational height is 6'6" (1.98 m) to the bottom of backboard.
- This equipment is intended for home recreational use only and NOT excessive competitive play.
- Read and understand the warning label affixed to pole. Label is shown on page 2.
- The life of your basketball pole depends on many conditions. The climate, placement of the pole, the location of the pole, exposure to corrosives such as pesticides, herbicides or salts are all important.
- Adult supervision is recommended when adjusting height.
- Serious injury could occur if teeth/face come in contact with backboard, net, or rim.

Most injuries are caused by misuse and/or not following instructions. Use caution when using this system.

For more information on assembly, placement, proper use and maintenance, visit The American Basketball Council website at <http://www.smarthoops.com>.

WARNING

FAILURE TO FOLLOW THESE WARNINGS MAY RESULT IN SERIOUS INJURY AND/OR PROPERTY DAMAGE.

Owner must ensure that all players know and follow these rules for safe operation of the system.

- See instruction manual for proper installation.
- DO NOT HANG on the rim or any part of the system including backboard, support braces or net.
- During play, especially when performing dunk type activities, keep player's face away from the backboard, rim and net. Serious injury could occur if teeth/face come in contact with backboard, rim or net.
- Do not slide, climb, shake or play on pole.
- When adjusting height, keep hands and fingers away from moving parts.
- Do not allow children to move or adjust system.
- During play, do not wear jewelry (rings, watches, necklaces, etc.); objects may entangle in net.
- Keep organic material away from pole base. Grass, litter, etc. could cause corrosion and or deterioration.
- Check pole system for signs of corrosion (rust, pitting, chipping) and repaint with with exterior enamel paint. If rust has penetrated through the steel anywhere, replace the pole immediately.
- Check system before each use for proper ballast, loose hardware, excessive wear and signs corrosion and repair before using.
- Check system before each use for instability.
- Never play on damaged equipment.
- Keep pole top covered with cap at all times.

HYDRA-RIB™

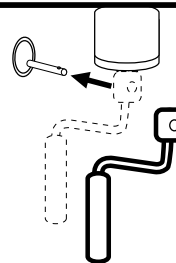
1-800-558-5234

201255 2/99

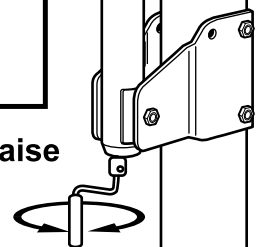
26

HEIGHT ADJUSTMENT

Remove locking pin to remove handle.



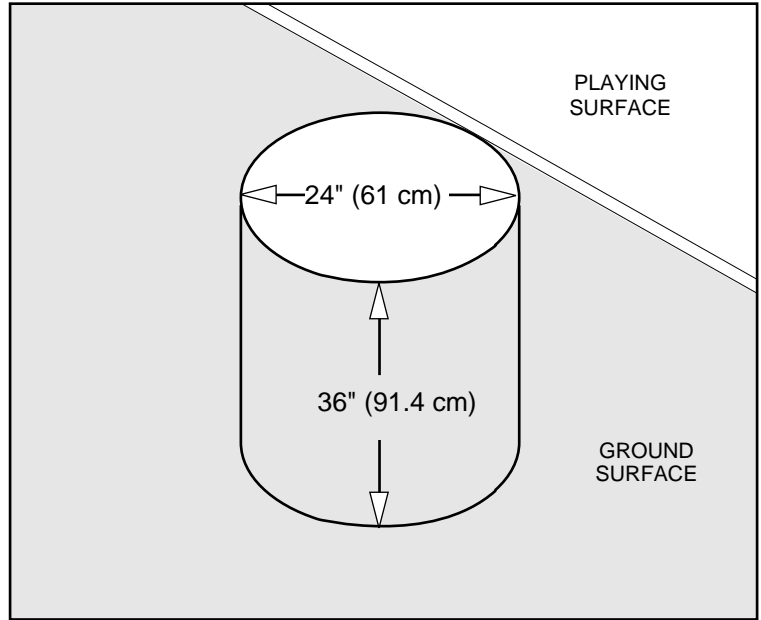
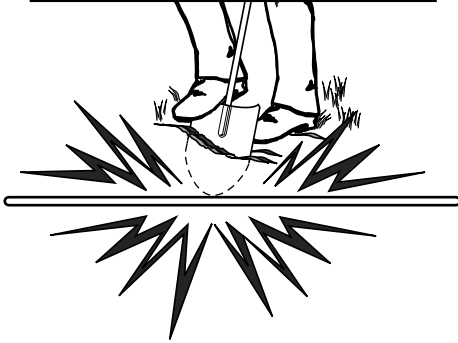
Rotate crank handle to raise and lower backboard.



200685 4/01

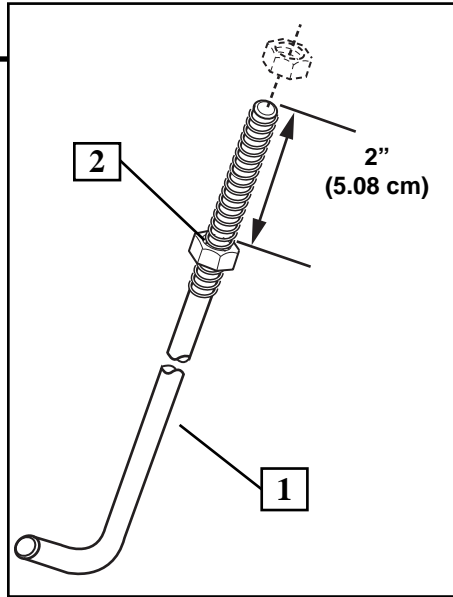
1. Ensure ground is level with playing surface, then dig pole hole.

⚠ WARNING
CONTACT UTILITIES
BEFORE DIGGING.



2. Install nut (2) to J-bolt (1) as shown. Repeat procedure for other three J-bolts (1).

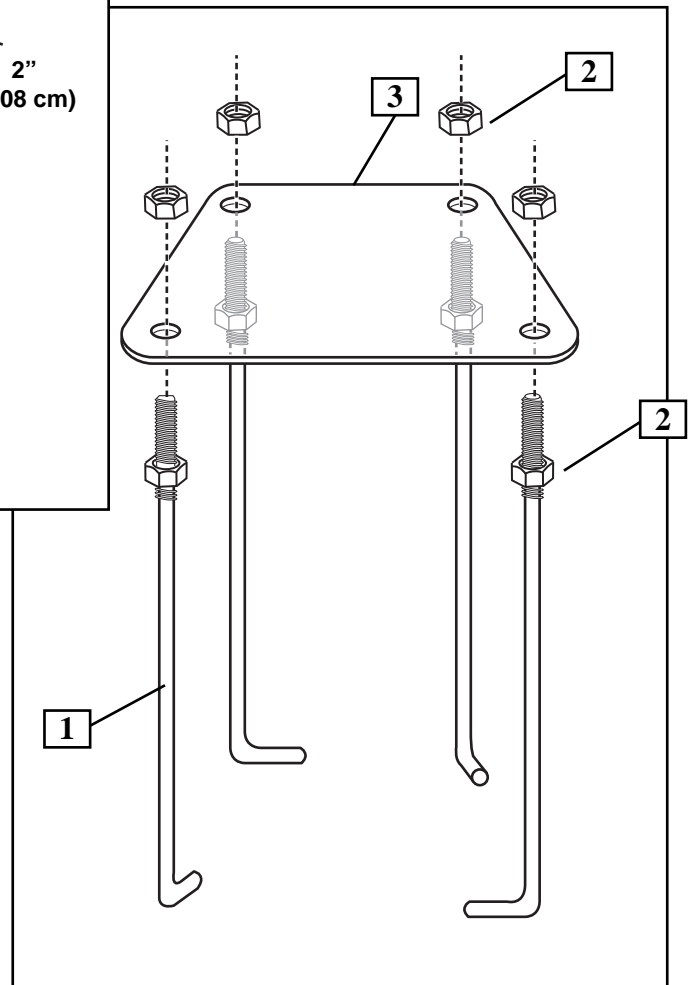
IMPORTANT!
 Make sure nuts are 2"
 (5.08 cm) from top of J-Bolts.

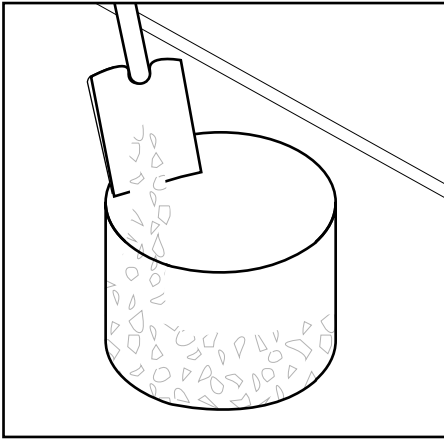


3. Install threaded ends of J-bolts (1) through holes in mounting plate (3) and secure as shown.

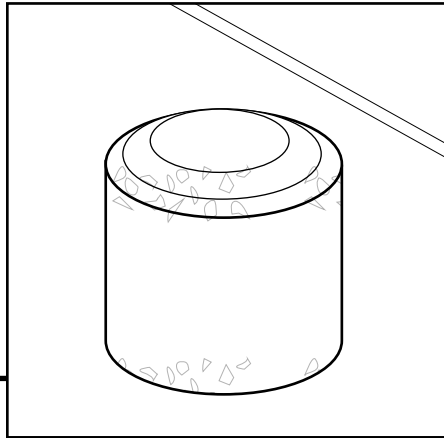
NOTE: Make sure J-bolts (1) are in the illustrated position.

NOTE: Nuts on the top of plate are used for leveling the pole after system is fully assembled.

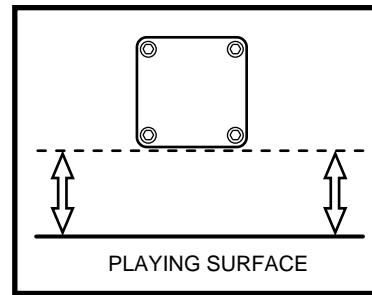




4. Fill hole with concrete. Tamp down concrete to release air pockets and build drainage hill.



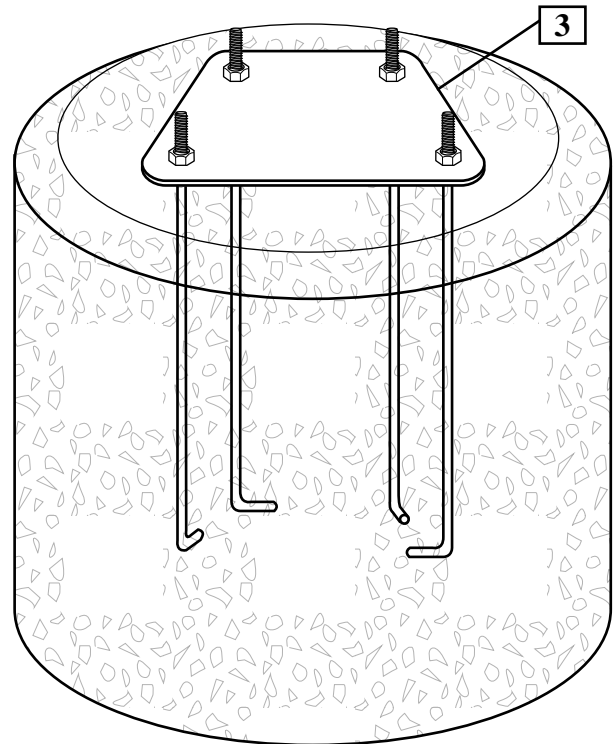
5. Insert J-bolts (1) from mounting plate (3) into cement as shown. Move assembly around to release any air pockets in cement, then rest mounting plate on cement drainage hill. Apply some pressure to level mounting plate on top of drainage hill. Level mounting plate and square with playing surface. Clean off any excess cement on mounting plate at this time.



NOTE: Check leveling of mounting plate (3) several times while concrete is curing.

IMPORTANT!
Front of mounting plate (3) must be parallel with playing surface.

⚠ WARNING
DO NOT PROCEED TO STEP 6 UNTIL CONCRETE HAS CURED FOR A MINIMUM OF 72 HOURS. ALLOW ADDITIONAL TIME FOR COLD, WET OR HUMID WEATHER.



⚠️ WARNING

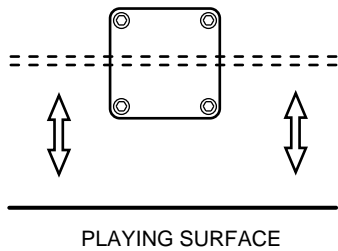
THREE PERSON MINIMUM REQUIRED FOR THIS PROCEDURE. NOT FOLLOWING RECOMMENDATION MAY RESULT IN SERIOUS BODILY INJURY AND/OR PROPERTY DAMAGE.

6. Upright pole (5). Assemble lower pole flange onto protruding J-bolts (1) as shown. The flange will then rest on the nuts (2) from Step 2.

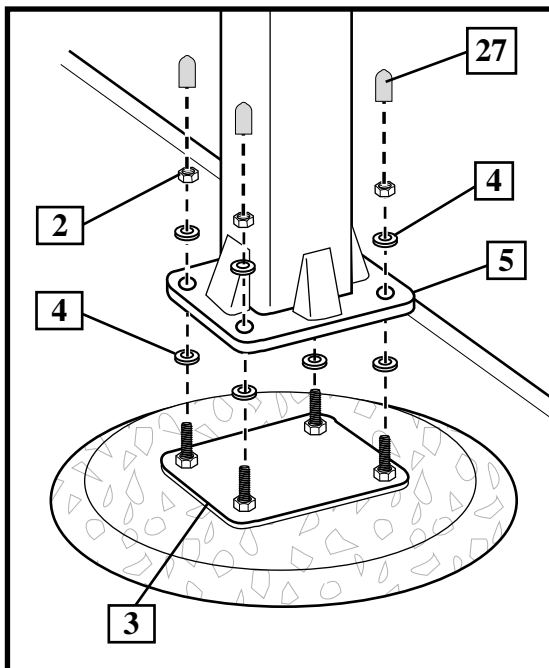
Install pole cap (6).

IMPORTANT!

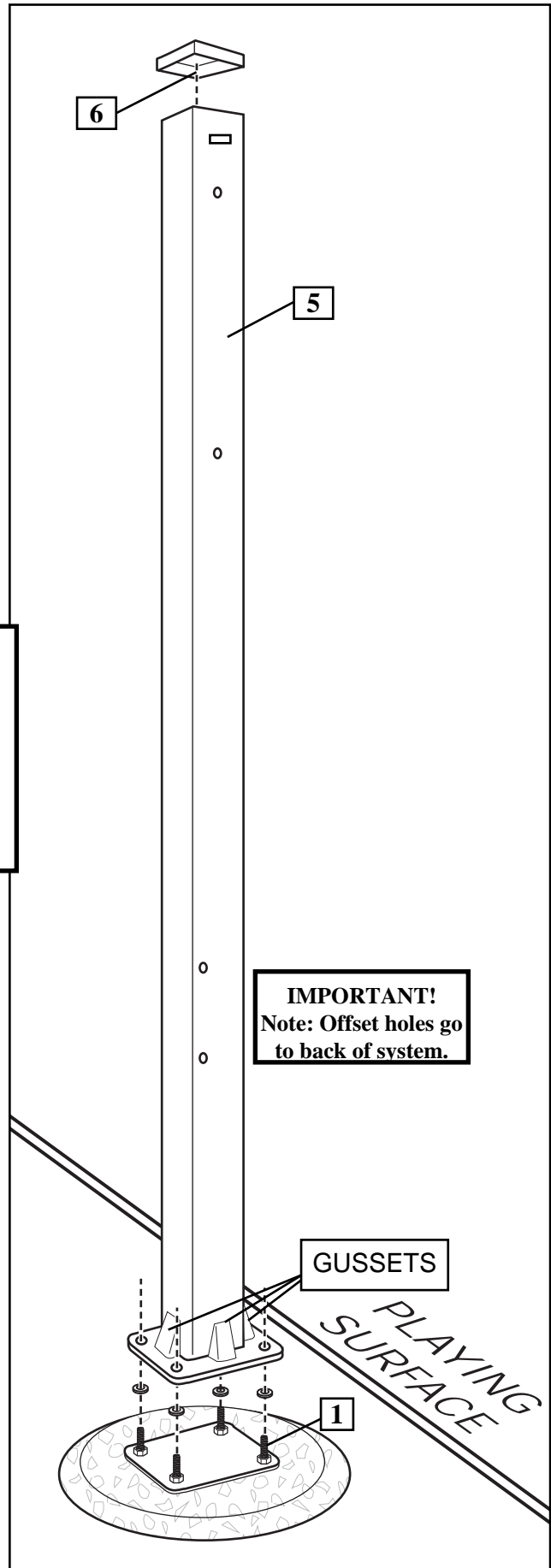
Holes in pole must be parallel with playing surface.



7. Secure pole (5) flange to mounting plate (3) as shown. Tighten completely.



IMPORTANT!
Note: Offset holes go to back of system.



8. Insert caps (8) into end of each support arm (9 & 10) as shown. Tap firmly in position.

9. Apply logo label (11) to lower support arms (10) as shown. Repeat for opposite side.

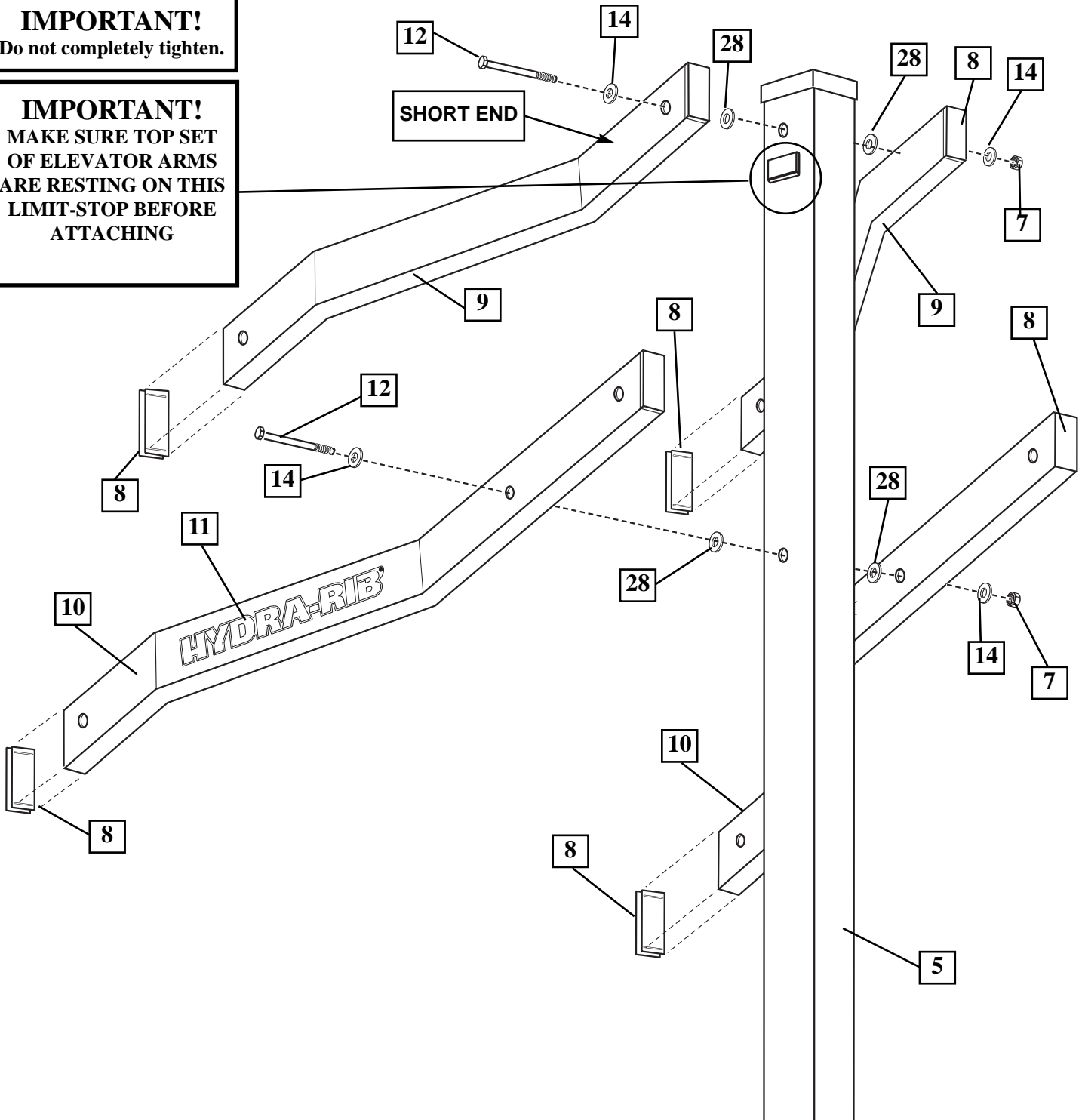
10. Beginning with upper support arms (9) secure support arms to pole. Continue by securing lower support arms (10) as shown.

⚠ WARNING

THREE PERSON MINIMUM REQUIRED FOR THIS PROCEDURE. NOT FOLLOWING RECOMMENDATION MAY RESULT IN SERIOUS BODILY INJURY AND/OR PROPERTY DAMAGE.

IMPORTANT!
Do not completely tighten.

IMPORTANT!
MAKE SURE TOP SET OF ELEVATOR ARMS ARE RESTING ON THIS LIMIT-STOP BEFORE ATTACHING



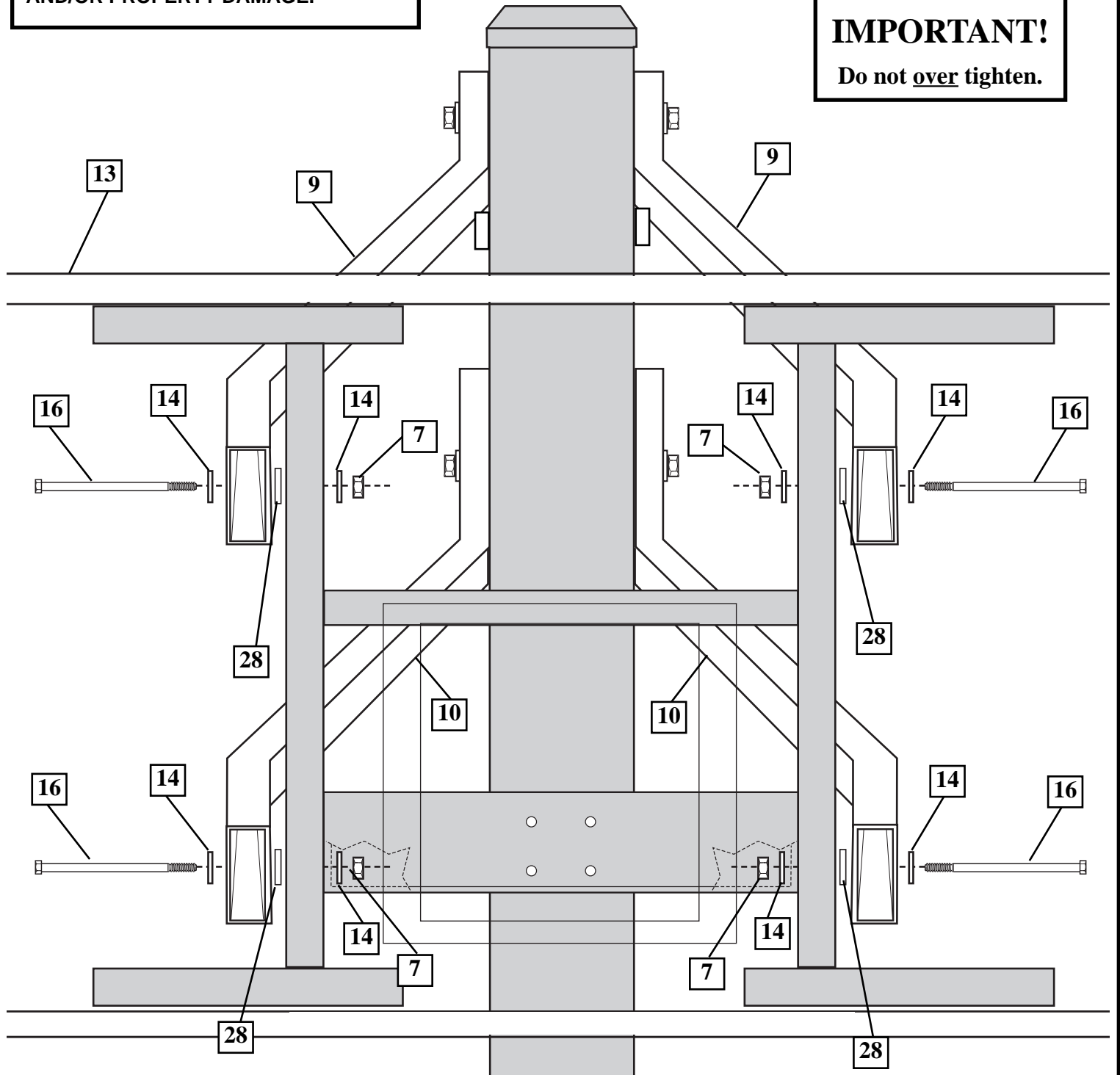
11. Secure H-frame board assembly to support arms (9 & 10).

!WARNING

THREE PERSON MINIMUM REQUIRED FOR THIS PROCEDURE. NOT FOLLOWING RECOMMENDATION MAY RESULT IN SERIOUS BODILY INJURY AND/OR PROPERTY DAMAGE.

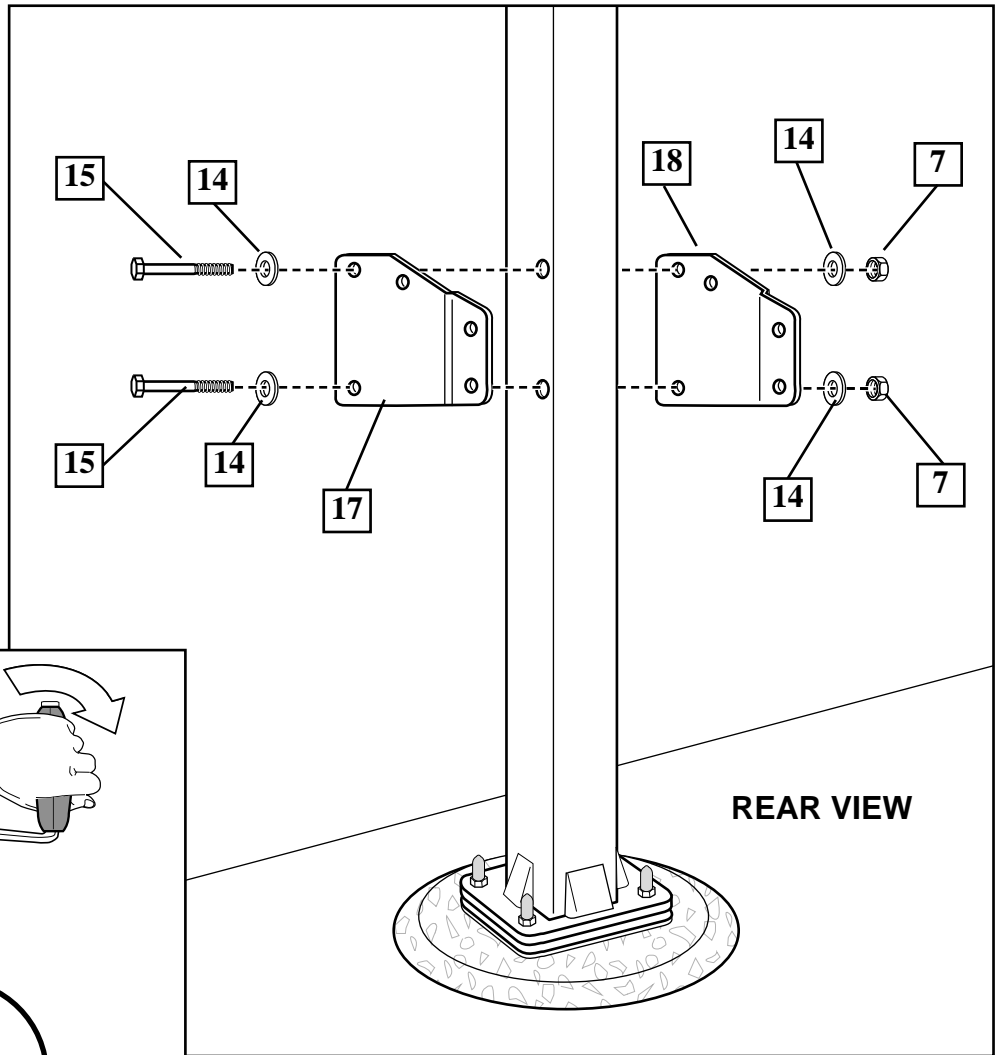
IMPORTANT!
At this time, completely tighten upper and lower support arms.

IMPORTANT!
Do not over tighten.



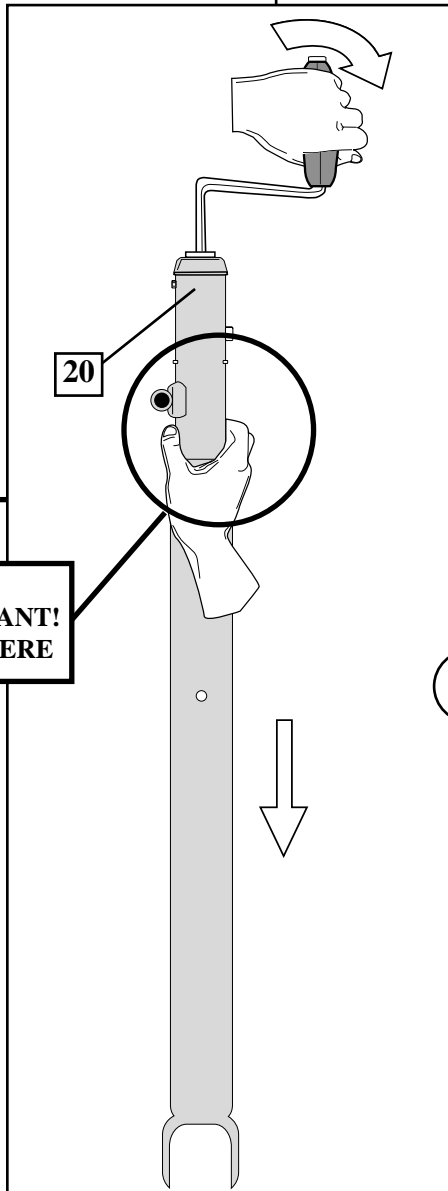
12.

Secure jack brackets (17 & 18) to lower holes in pole as shown.



20

**IMPORTANT!
HOLD HERE**



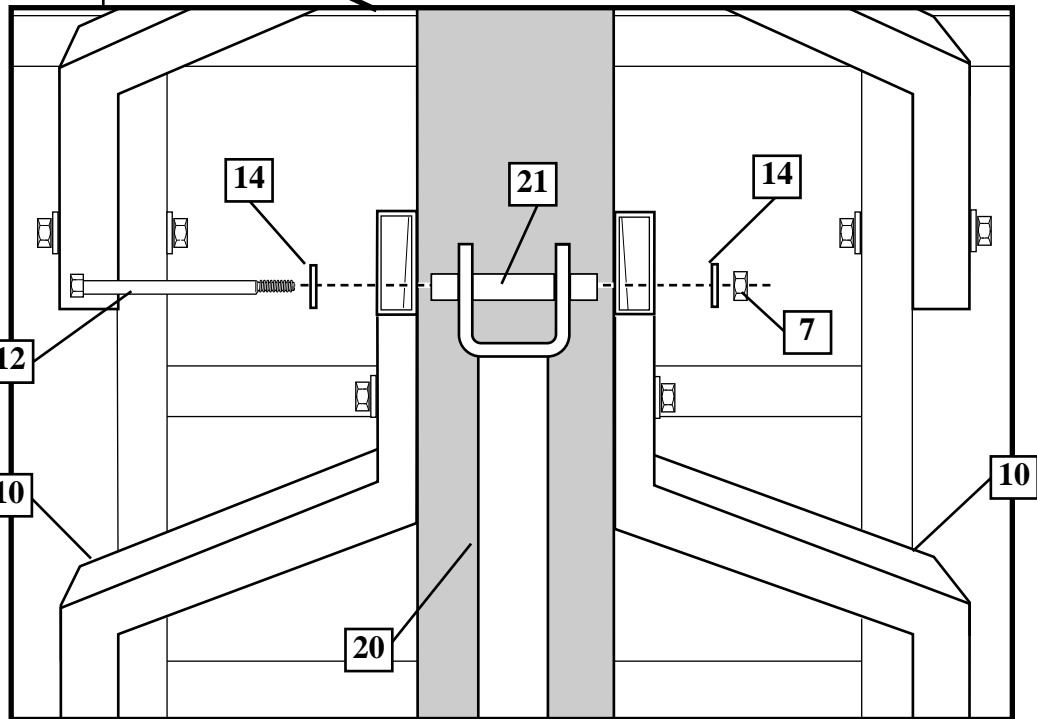
13.

Position U-joint of crank jack (20) as shown. Where tubes on crank jack join, hold steady to keep both tubes from rotating. Rotate handle clockwise on crank jack to the fully extended position. Upright crank jack.

⚠ WARNING

THREE PERSON MINIMUM REQUIRED FOR THIS PROCEDURE. NOT FOLLOWING RECOMMENDATION MAY RESULT IN SERIOUS BODILY INJURY AND/OR PROPERTY DAMAGE.

14. Install crank jack (20) U-joint to lower set of support arms (10) as shown.



REAR VIEW

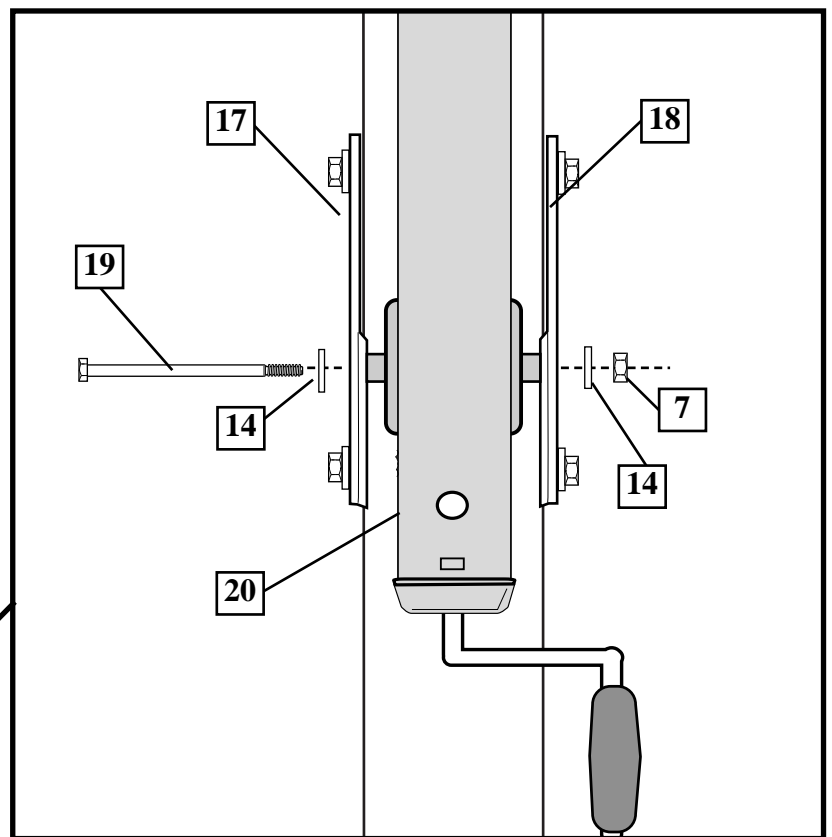
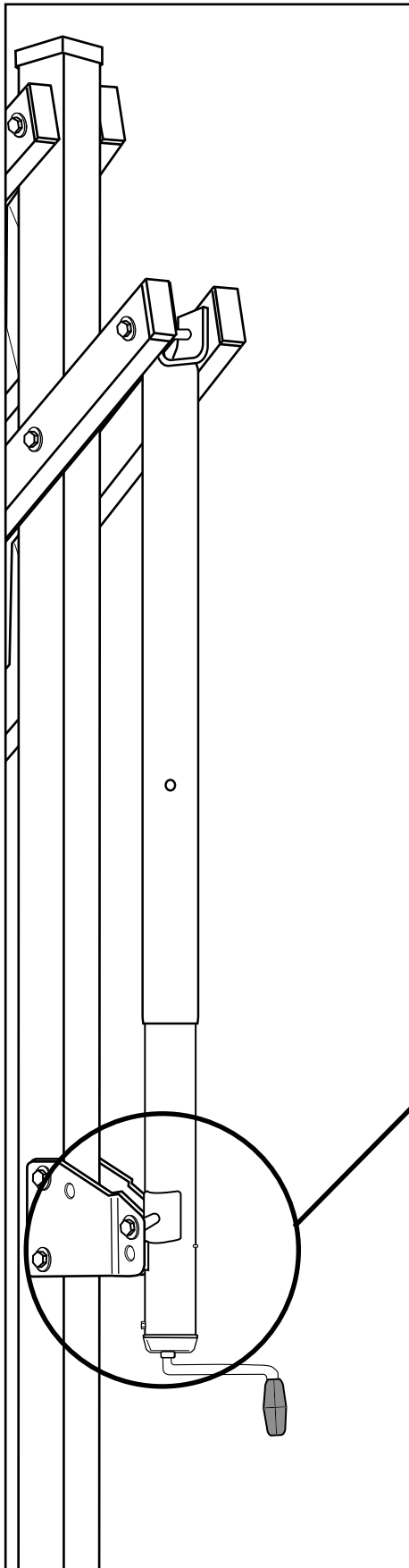
IMPORTANT!
Do not over tighten.

⚠ WARNING

THREE PERSON MINIMUM REQUIRED FOR THIS PROCEDURE. NOT FOLLOWING RECOMMENDATION MAY RESULT IN SERIOUS BODILY INJURY AND/OR PROPERTY DAMAGE.

- 15.** Rotate jack handle clockwise to raise H-frame (13) to approximately 7' (2.1 m) from ground. Secure crank jack (20) to jack brackets (17 & 18) as shown.

NOTE: Some adjustment will be necessary to align the lower crank jack bushing to jack brackets (17 & 18).



REAR VIEW

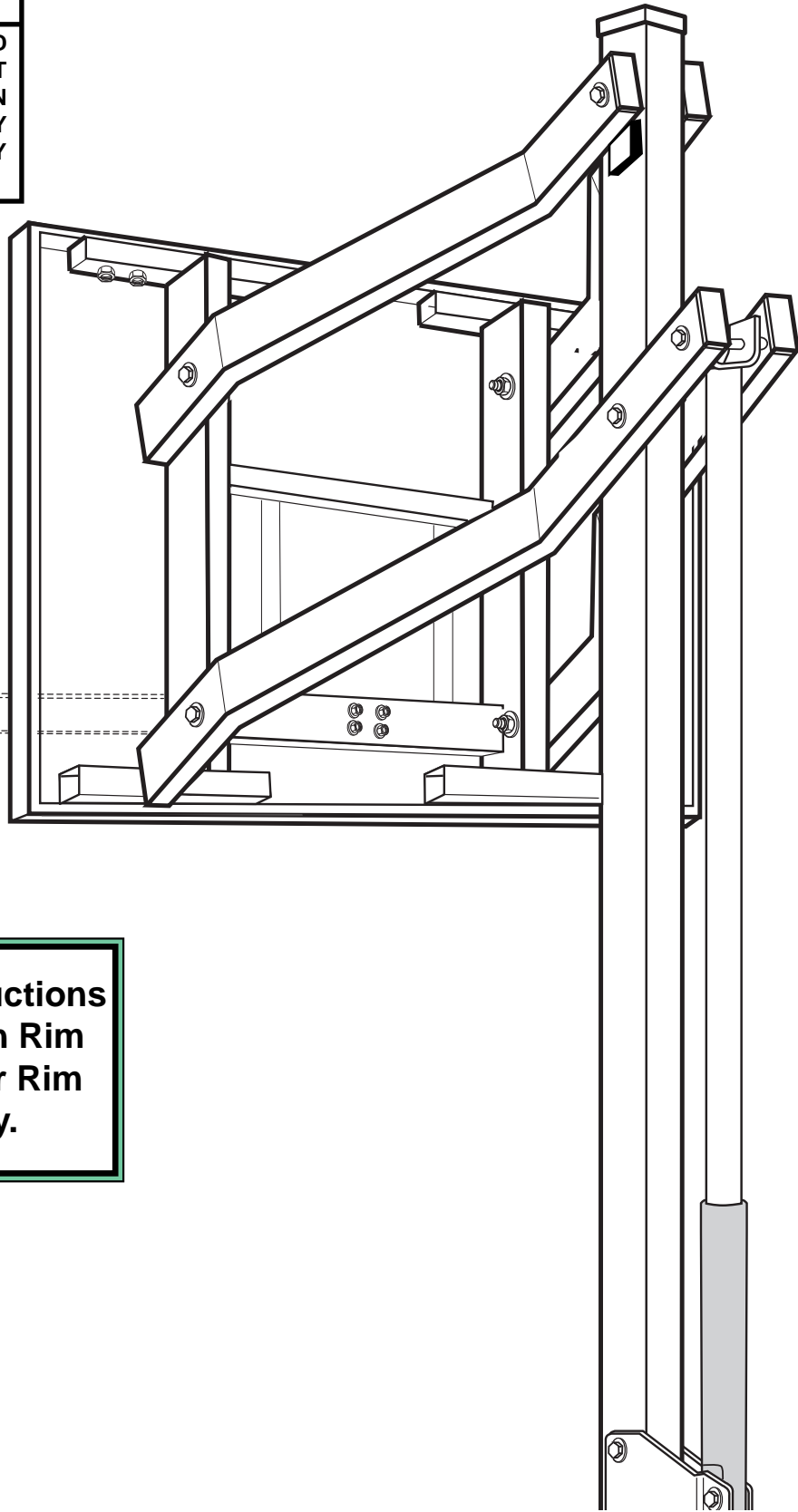
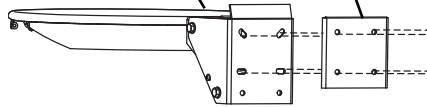
- 16.** Attach rim assembly and foam pad (22). *For rim assembly see instructions included with rim.*

⚠ WARNING

TWO PERSON MINIMUM REQUIRED FOR THIS PROCEDURE. NOT FOLLOWING RECOMMENDATION MAY RESULT IN SERIOUS BODILY INJURY AND/OR PROPERTY DAMAGE.

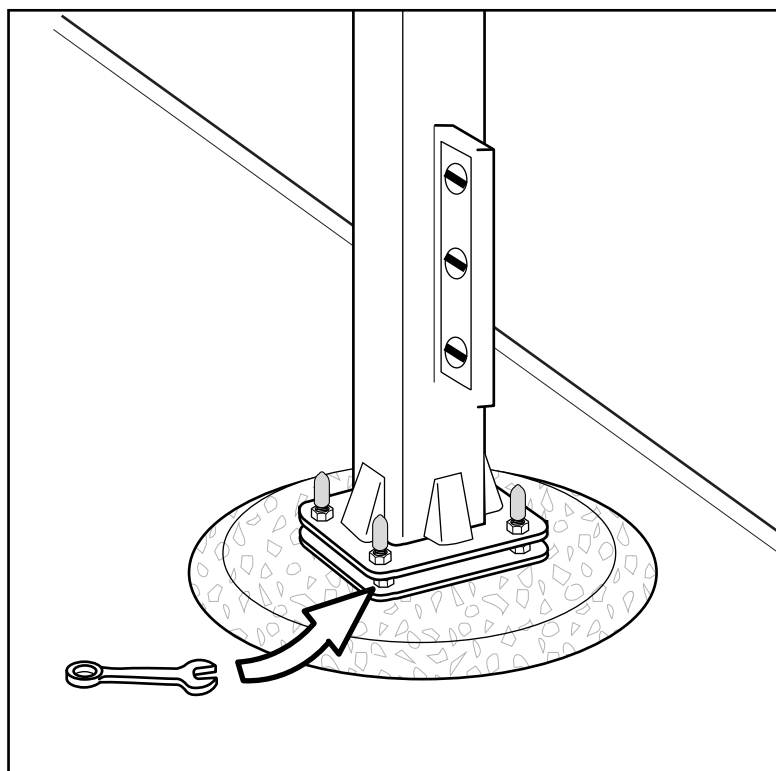
Rim Assembly

22

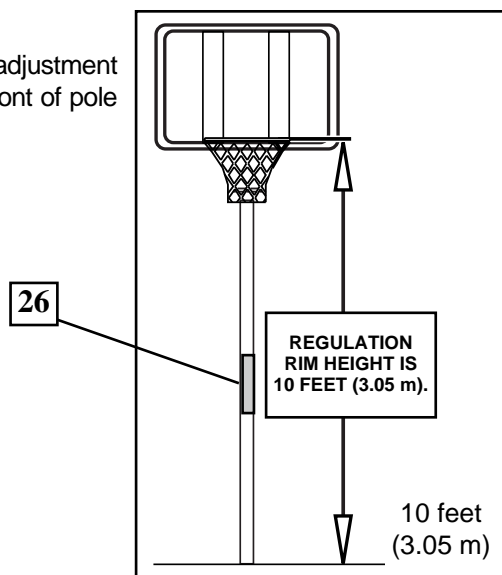


**Refer To Instructions
Included With Rim
Hardware For Rim
Assembly.**

- 17.** Check leveling at this time. Pole should be level in all directions. **NOTE: If adjustment is necessary, adjust system by rotating the nuts (2) between mounting plate (3) and pole flange. (Referred to in Step 6.)** After system is leveled, completely tighten nuts (7) above pole flange.



- 18.** Apply height adjustment label (26) to front of pole as shown.



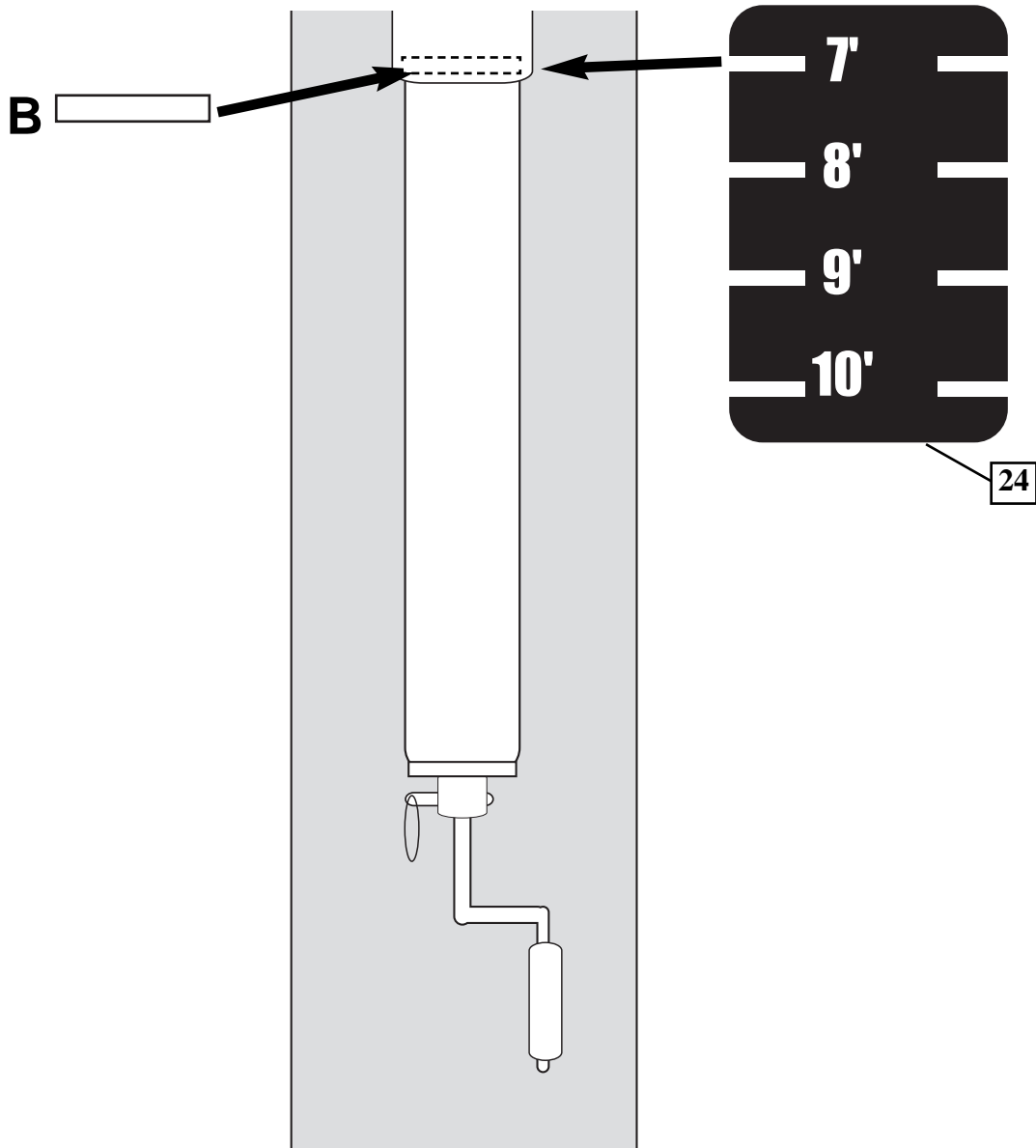
ADDING HEIGHT INDICATORS

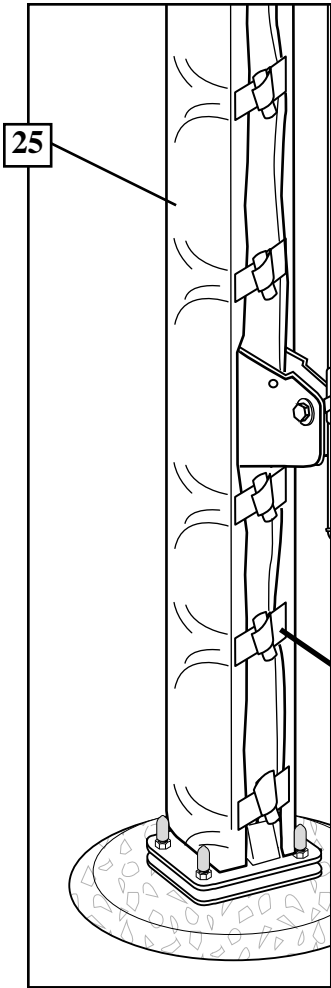
19. Add height adjustment decal (24)

A. LOWER BACKBOARD UNTIL RIM IS 7 FEET OFF THE GROUND.

B. APPLY THIN WHITE STRIP TO BOTTOM EDGE OF OUTER CRANK TUBE AS SHOWN.

C. APPLY LARGE DECAL TO BACK OF POLE SO THAT 7 FOOT MARK ON LARGE DECAL IS LINED UP WITH THIN WHITE STRIP.

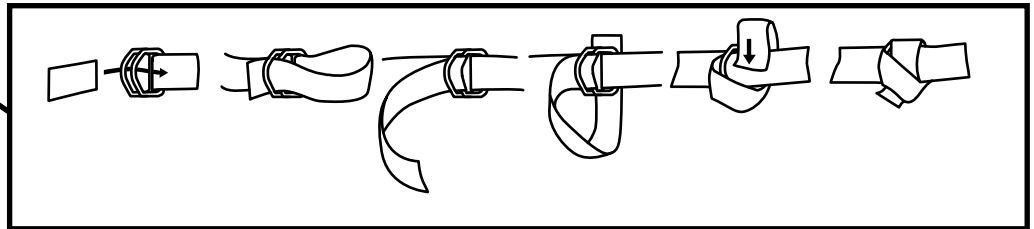
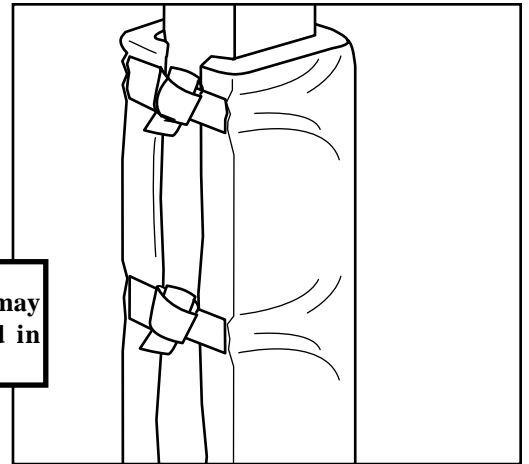




20.

Secure pole pad (25) as shown.

NOTE: Pole pad may NOT be included in this model.

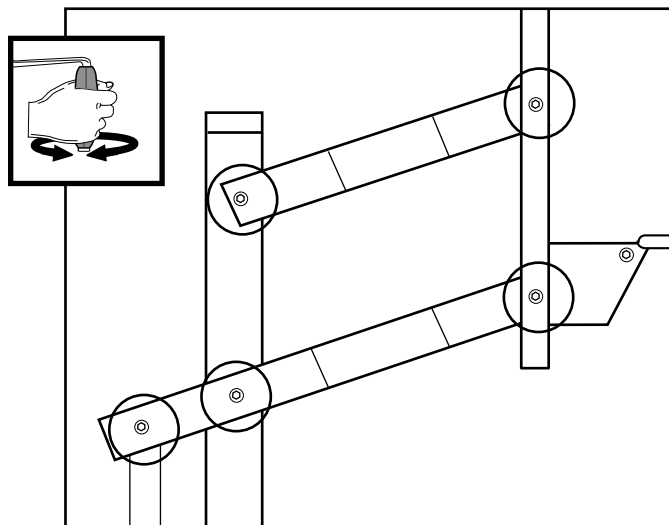


Height Adjustment

21.

Rotate crank handle to raise and lower backboard.

NOTE: If height adjustment is difficult to operate, you may have over tightened the areas indicated. Refer to Step 10 and Step 14.



PARTS LIST

<u>Item</u>	<u>Qty.</u>	<u>Part No.</u>	<u>Description</u>	<u>Item</u>	<u>Qty.</u>	<u>Part No.</u>	<u>Description</u>
1	4	200573	J-Bolt, 5/8"-11"	15	2	214050	Bolt, Hex, Black Zinc, 1/2"-13 x 7.25"
2	12	214057	Nut, Hex, Black Zinc, 5/8"-11"	16	4	213627	Bolt, Hex Head, Black Zinc, 1/2"-13 x 4"
3	1	920880	Mounting Plate	17	1	901656	Bracket, Jack Support (Left)
4	8*	214046	Washer, Flat, Black Zinc, 5/8" I.D. x 1.5" O.D.	18	1	901658	Bracket, Jack Support (Right)
5	1	982880	Pole	19	1	213630	Bolt, Hex, Black Zinc, 1/2"-13 x 5"
6	1	200544	Pole Cap, Square	20	1	222880	Crank Jack
7	10*	213637	Nylon Insert Lock Nut, Hex, Black Zinc 1/2"-13	21	1	214045	Spacer, Black Zinc, .75" x 6"
8	8	220589	Cap, Arm Support Insert	22	1	203274	Foam Pad 5x 5
9	2	917880	Support Arm, 42" Long, (Upper)	23	1	204282	Net
10	2	927880	Support Arm, 52" Long, (Lower)	24	1	200787	Label, Height Indicator
11	2	202666	Logo Label, 15" x 1 3/4"	25	1	206555	Pole Pad (May Not Be Included)
12	3	214034	Bolt, Hex Flange, Black Zinc, 1/2"-13 x 10"	26	1	200685	Label, Height Adjustment
13	1	91173	H-Frame Board Assembly	27	4	200655	Bolt Covers
14	20	213635	Washer, Flat, Black Zinc, 1/2"x 1" O.D.	28	8	203815	Washer, Nylon, 1.25 x .516 x .062 Thk.

* You May Have Extra Parts With This Model.

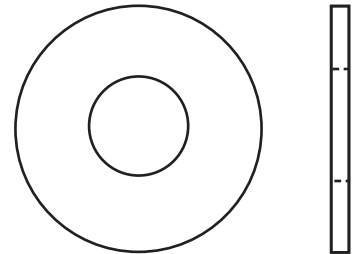
HARDWARE IDENTIFIER



Item #4 (8)*



Item #7 (10)*



Item #28 (8)



Item #16 (4)



Item #19 (1)



Item #14 (20)



Item #15 (2)