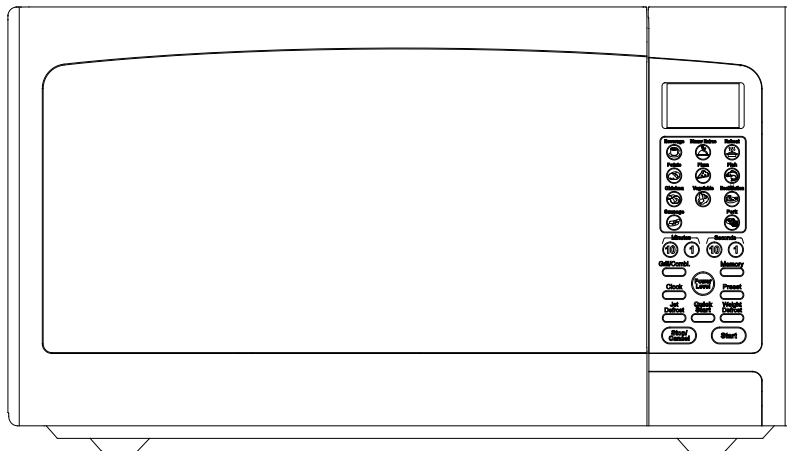




# 30L Electronic Stainless Steel Microwave with Grill

## User Manual

Model Number: HMW30G



**IMPORTANT SAFETY INSTRUCTIONS. READ CAREFULLY AND KEEP FOR  
FUTURE REFERENCE.**

## IMPORTANT

---

Read and follow the instructions in this user manual even if you feel you are familiar with the product, and find a place to keep it handy for future reference.

For your convenience record the complete model number (located on the product identification plate) and the date you received the product, together with your purchase receipt and attach to the warranty and service information booklet. Retain in the event that warranty service is required.

NOTE: The rating of this product (as marked on the product identification plate) is based on specific loading tests. Normal use or the use of other recommended attachments may draw significantly less power.

### **PRECAUTIONS TO AVOID POSSIBLE EXPOSURE TO EXCESSIVE MICROWAVE ENERGY**

Failure to observe the following safety precautions may result in harmful exposure to microwave energy.

1. DO NOT attempt to operate this oven with the door open or to tamper with the safety interlocks or to insert anything into the safety interlock holes.
2. DO NOT place any object between the oven front face and the door or allow food or cleaner residues to accumulate on sealing surfaces. Ensure that the door and sealing surfaces are kept clean, by wiping after use.
3. DO NOT operate the oven if it is damaged. It is particularly important that the oven door closes properly and that there is no damage to the:
  - a. Door (bent)
  - b. Door hinges and latches (broken or loose)
  - c. Door seals and sealing surfaces.
4. The oven should not be adjusted or repaired by anyone other than a properly qualified service microwave service technician.

## CONTENTS

---

PRECAUTIONS TO AVOID POSSIBLE EXPOSURE TO EXCESSIVE MICROWAVE ENERGY	1
IMPORTANT SAFEGUARDS	2
SPECIFICATIONS	4
BEFORE YOU CALL FOR SERVICE	4
INSTALLATION	5
GROUNDING INSTRUCTIONS	5
RADIO INTERFERENCE	5
MICROWAVE COOKING PRINCIPLES	6
UTENSILS GUIDE	6
PART NAMES	6
CONTROL PANEL	7
HOW TO SET THE OVEN CONTROLS	8
<i>Setting the clock</i>	8
<i>Microwave cooking</i>	8
<i>Grill cooking</i>	8
<i>Combination cooking</i>	9
<i>Quick start</i>	9
<i>Jet defrost</i>	9
<i>Weight defrost</i>	9
<i>Multi-stage cooking</i>	10
<i>Preset</i>	10
<i>Child lock</i>	10
<i>Auto cook</i>	11
CLEANING AND CARE	11
AUSTRALIAN CUSTOMER SERVICE	12

## IMPORTANT SAFEGUARDS

---

**When using any electrically powered product, basic safety precautions should always be followed, including the following:**

PLEASE READ ALL INSTRUCTIONS CAREFULLY BEFORE USING THIS PRODUCT

**WARNING:** To reduce the risk of burns, electric shock, fire, injury to persons or exposure to excessive microwave energy:

1. Read all instructions before using the appliance.
2. Use this appliance only for its intended use as described in this manual. Do not use corrosive chemicals or vapors in this appliance. This type of oven is specifically designed to heat, cook or dry food. It is not designed for industrial or laboratory use.
3. Do not operate the oven when empty.
4. Do not operate this appliance if it has a damaged cord or plug, if it is not working properly or if it has been damaged or dropped. If the supply cord is damaged, it must be replaced by the manufacturer or its service agent or a similarly qualified person in order to avoid a hazard.
5. **WARNING:** Only allow children to use the oven without supervision when adequate instructions have been given so that the child is able to use the oven in a safe way and understands the hazards of improper use.
6. **WARNING:** It is hazardous for anyone other than a trained person to carry out any service or repair operation which involves the removal of any cover which

gives protection against exposure to microwave energy.

7. To reduce the risk of fire in the oven cavity:
  - a. When heating food in a plastic or paper container, keep an eye on the oven due to the possibility of ignition.
  - b. Remove wire twist-ties from paper or plastic bags before placing bag in oven.
  - c. If smoke is observed, switch off or unplug the appliance and keep the door closed in order to stifle any flames.
  - d. Do not use the cavity for storage purposes. Do not leave paper products, cooking utensils or food in the cavity when not in use.
8. **WARNING:** Liquid or other food must not be heated in sealed containers since they are liable to explode.
9. Microwave heating of beverage can result in delayed eruptive boiling, therefore care has to be taken when handling the container.
10. Do not fry food in the oven. Hot oil can damage oven parts and utensils and even result in skin burns.
11. Eggs in their shell and whole hard-boiled eggs should not be heated in microwave ovens since they may explode even after microwave heating has ended.
12. Pierce foods with heavy skins such as potatoes, whole squashes, apples and chestnuts before cooking.
13. The contents of feeding bottles and baby jars should be stirred or shaken and the temperature should be checked before serving in order to avoid burns.
14. Cooking utensils may become hot because of heat transferred from the heated food. Potholders may be needed to handle the utensil.
15. Utensils should be checked to ensure that they are suitable for use in microwave ovens.
16. This product is a Group 2 Class B ISM equipment. The definition of Group 2 which contains all ISM (Industrial, Scientific and Medical) equipment in which radio-frequency energy is intentionally generated and/or used in the form of electromagnetic radiation for the treatment of material, and spark erosion equipment. For Class B equipment is equipment suitable for use in domestic establishments and in establishments directly connected to a low voltage power supply network which supplies buildings used for domestic purpose.
17. This appliance is not intended for use by persons (including children) with reduced physical, sensory or mental capabilities, or lack of experience and knowledge, unless they have been given supervision or instruction concerning use of the appliance by a person responsible for their safety.
18. Children should be supervised to ensure that they do not play with the appliance.
19. The microwave oven is to be used freestanding only.
20. **WARNING:** Do not install oven over a range cook top or other heat-producing appliance otherwise warranty will be voided.
21. The microwave oven shall not be placed in a cabinet.
22. The door or the outer surface may get hot when the appliance is operating.
23. The temperature of accessible surfaces may be high when the appliance is operating.
24. The appliance shall be placed against a wall.
25. **WARNING:** If the door or door seals are damaged, the oven must not be operated until it has been repaired by a qualified person
26. This appliance is not intended to be operated by means of an external timer or separate remote-control system.
27. The microwave oven is for household use only and not for commercial use.
28. Never remove the distance holder in the back or on the sides, as it ensures a minimum distance from the wall for air circulation.
29. Please secure the turn table before you move the appliance to avoid damages.
30. **Caution:** It is dangerous to repair or maintain the appliance by no other than a specialist because under these circumstances the cover has to be removed which assures protection against microwave radiation. This applies to changing the power cord or the lighting as

well.

31. Use gloves if you remove any heated food.
32. Caution! Steam will escape, when opening lids.
33. If smoke is emitted, switch off or unplug the appliance and keep the door closed in order to stifle any flames.

34. **WARNING:** The microwave oven is intended for heating, cooking, steaming & defrosting food only. Drying of food or clothing and heating of warming pads, slippers, sponges, damp cloth and similar may lead to risk of injury, ignition or fire.

## SPECIFICATIONS

---

<b>Power Consumption</b>	230-240V/50Hz, 1400W(Microwave) 1100W(Grill)
<b>Rated Microwave Power Output:</b>	900W
<b>Operation Frequency:</b>	2450MHz
<b>Outside Dimensions:</b>	H300 × W539 × D407mm
<b>Oven Cavity Dimensions:</b>	H240 × W354 × D358mm
<b>Oven Capacity:</b>	30 Litres
<b>Cooking Uniformity:</b>	Turntable System
<b>Net Weight:</b>	Approx.16.4 kg

## BEFORE YOU CALL FOR SERVICE

---

If the oven fails to operate:

1. Check to ensure that the oven is plugged in securely. If it is not, remove the plug from the outlet, wait 10 seconds, and plug it in again securely.
2. Check for a blown circuit fuse or a tripped main circuit breaker. If these seem to be operating properly, test the outlet with another appliance.
3. Check to ensure that the control panel is programmed correctly and the timer is set.

4. Check to ensure that the door is securely closed engaging the door safety lock system. Otherwise, the microwave energy will not flow into the oven.

**IF NONE OF THE ABOVE RECTIFIES THE SITUATION, THEN CONTACT A QUALIFIED TECHNICIAN. DO NOT TRY TO ADJUST OR REPAIR THE OVEN YOURSELF.**

## INSTALLATION

---

1. Make sure that all the packing materials are removed from the inside of the door.
2. **WARNING:** Check the oven for any damage, such as misaligned or bent door, damaged door seals and sealing surface, broken or loose door hinges and latches and dents inside the cavity or on the door. If there is any damage, do not operate the oven and contact qualified service

personnel.

3. This microwave oven must be placed on a flat, stable surface to hold its weight and the heaviest food likely to be cooked in the oven.
4. Do not place the oven where heat, moisture, or high humidity are generated, or near combustible materials.
5. For correct operation, the oven must have

sufficient airflow. Allow 20cm of space above the oven, 10cm at back and 5cm at both sides. Do not cover or block any openings on the appliance. Do not remove feet.

6. Do not operate the oven without glass tray, roller support, and shaft in their proper positions.

7. Make sure that the power supply cord is undamaged and does not run under the oven or over any hot or sharp surface.
8. The socket must be readily accessible so that it can be easily unplugged in an emergency.
9. Do not use the oven outdoors.

## GROUNDING INSTRUCTIONS

---

This appliance must be grounded. This oven is equipped with a cord having a grounding wire with a grounding plug. It must be plugged into a wall receptacle that is properly installed and grounded. In the event of an electrical short circuit, grounding reduces risk of electric shock by providing an escape wire for the electric current. It is recommended that a separate circuit serving only the oven be provided. Using a high voltage is dangerous and may result in a fire or other accident causing oven damage.

**WARNING** Improper use of the grounding plug can result in a risk of electric shock.

### **Note:**

1. If you have any questions about the grounding or electrical instructions, consult a qualified electrician or service person.
2. Neither the manufacturer nor the dealer can accept any liability for damage to the oven or personal injury resulting from failure to observe the electrical connection procedures.

The wires in this cable main are colored in accordance with the following code:

**Green and Yellow = EARTH**

**Blue = NEUTRAL**

**Brown = LIVE**

## RADIO INTERFERENCE

---

Operation of the microwave oven can cause interference to your radio, TV, or similar equipment.

When there is interference, it may be reduced or eliminated by taking the following measures:

1. Clean door and sealing surface of the oven.
2. Reorient the receiving antenna of radio or television.

3. Relocate the microwave oven with respect to the receiver.
4. Move the microwave oven away from the receiver.
5. Plug the microwave oven into a different outlet so that microwave oven and receiver are on different branch circuits.

## MICROWAVE COOKING PRINCIPLES

---

1. Arrange food carefully. Place thickest areas towards outside of dish.
2. Watch cooking time. Cook for the shortest amount of time indicated and add more as needed. Food severely overcooked can smoke or ignite.
3. Cover foods while cooking. Covers prevent spattering and help foods to cook evenly.
4. Turn foods over once during microwaving to speed cooking of such foods as chicken and hamburgers. Large items like roasts must be turned over at least once.
5. Rearrange foods such as meatballs halfway through cooking both from top to bottom and from the center of the dish to the outside.

## UTENSILS GUIDE

---

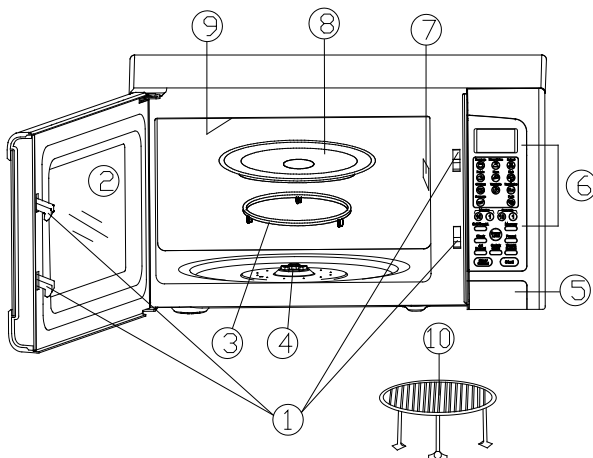
1. The ideal material for a microwave utensil is transparent to microwave, it allows energy to pass through the container and heat the food.
2. Microwave cannot penetrate metal, so metal utensils or dishes with metallic trim should not be used.
3. Do not use recycled paper products when microwave cooking, as they may contain small metal fragments which may cause sparks and/or fires.
4. Round /oval dishes rather than square/oblong ones are recommend, as food in corners tends to overcook.

The list below is a general guide to help you select the correct utensils.

COOKWARE	MICROWAVE	GRILL	COMBINATION
Heat-Resistant Glass	Yes	Yes	Yes
Non Heat-Resistant Glass	No	No	No
Heat-Resistant Ceramics	Yes	Yes	Yes
Microwave-Safe Plastic Dish	Yes	No	No
Kitchen Paper	Yes	No	No
Metal Tray	No	Yes	No
Metal Rack	No	Yes	No
Aluminum Foil & Foil Containers	No	Yes	No

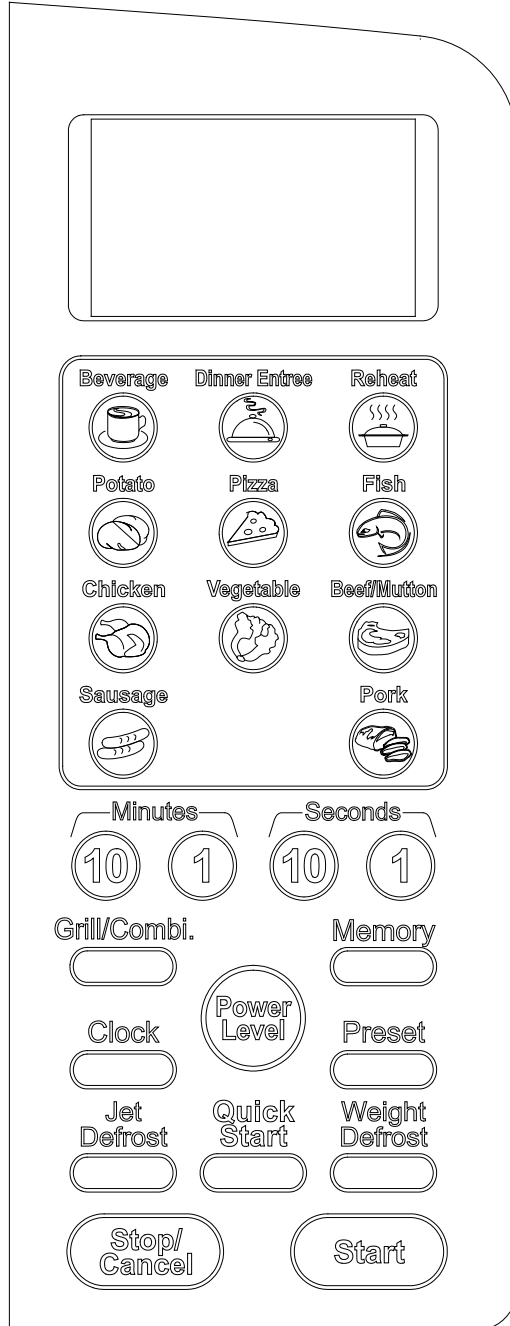
## PART NAMES

---



1. Door Safety Lock System
2. Oven Window
3. Turntable Support
4. Shaft
5. Door Release Button
6. Control Panel
7. Wave Guide
8. Glass Tray
9. Grill Heater
10. Metal Rack

## CONTROL PANEL



- **MENU ACTION SCREEN**

Cooking time, power, action indicators, and clock time is displayed.

- **NUMBER PADS**

Touch to set clock, cooking time or enter food weight.

- **QUICK COOK BUTTONS**

Instant settings to cook popular foods.

- **POWER LEVEL**

Used to set a microwave-cooking program.

- **GRILL/COMBI.**

Press up to three times to choose a cooking mode.

- **MEMORY**

Used for setting a multistage cooking program.

- **CLOCK**

Touch to set the digital clock.

- **PRESET**

Preset function allows you to put food into the oven and program it to start cooking at a later time.

- **JET DEFROST**

Quick defrost function that alternates defrost and stand times to quickly and effectively defrost foods.

- **WEIGHT DEFROST**

Programmed defrosting based on the weight of the foods to be defrosted.

- **QUICK START**

Touch to start cooking or start the oven quickly.

- **START**

Touch to start cooking program.

- **STOP/CANCEL**

Touch to clear entry before setting a cooking program

Touch once to temporarily stop cooking or twice to cancel cooking.

Touch and hold to set child lock.



## HOW TO SET THE OVEN CONTROLS

---

Each time a button is touched, a beep will sound to acknowledge the touch.

### SETTING THE CLOCK

---

The clock works in 12 or 24 hour cycle, you can select it by pressing CLOCK repeatedly. For example: to set the time of 8:30.

- Touch CLOCK button once or twice.
- Touch number pads to set the clock time.
- Touch CLOCK button again to confirm.

**Note:** You can check the clock time during cooking by touching the CLOCK button.

### MICROWAVE COOKING

---

To cook with the microwave, both the time and power level should be set. The longest cooking time to be set by touching the number pads is 99 min. 99 sec.

Suppose you want to cook for 5 minutes at 60% of microwave power.

- Touch POWER LEVEL button a number of times to set power level.
- Touch number pads to set cooking time.
- Touch START button.

By pressing the POWER LEVEL button repeatedly, you are selecting one of the following microwave power levels:

Press	Power Level	Description
Once	100%	High
Twice	80%	Medium High
3 times	60%	Medium
4 times	40%	Medium Low
5 times	20%	Low
6 times	0%	Zero

### GRILL COOKING

---

Grill cooking is particularly useful for thin slices of meat, steaks, chops, kebabs, sausages or a piece of chicken. It is also suitable for hot sandwiches and gratin dishes. The longest cooking time is 99 min, 99 sec.

Suppose you want to grill for 12 minutes.

- Touch GRILL/COMBI. button once.
- Touch number pads to set cooking time.
- Touch START button.

## COMBINATION COOKING

---

### Combination 1:

The longest cooking time is 99 min. 99 sec.

35% time for microwave cooking, 65% for grill cooking - recommended for fish or gratin.

### Combination 2:

55% time for microwave cooking, 45% for grill cooking - use for puddings, omelets, baked potatoes and poultry.

Suppose you want to set the oven to COMBINATION cooking for 25 minutes.

- Touch GRILL/COMBI. button twice or 3 times.
- Touch number pads to set cooking time.
- Touch START button.

## QUICK START

---

This feature allows you to start the oven quickly.

In standby mode, touch QUICK START in quick succession to set time (each touch for 30 seconds, up to 99 minutes), the oven starts cooking automatically at full power.

## JET DEFROST

---

With Jet Defrost, you need to input the desired defrosting time. The longest defrosting time is 99 min, 99 sec.

Suppose you want to set the oven to Jet Defrost for 5 minutes.

- Touch JET DEFROST button.
- Touch number pads to enter defrosting time.
- Touch START button.

**Note:** During defrosting, the system will sound to remind you to turn over the food. Press START to resume defrosting.

## WEIGHT DEFROST

---

The oven allows the defrosting of meat, poultry, and seafood. The time and the defrosting power are adjusted automatically once the weight of food is programmed.

The maximum allowable weight for each category is shown below.

FOOD CATEGORY	MAXIMUM WEIGHT	DISPLAY
Meat	2300g	d1
Poultry	3000g	d2
Seafood	1000g	d3

Suppose you want to defrost 600g of shrimp.

- Place food to be defrosted into the oven.
- Touch WEIGHT DEFROST repeatedly until "d3" appears in the display.
- Touch number pad 1 MIN. repeatedly to enter weight 600g.

- Touch START pad.

**Note:** During defrosting, the system will sound to remind you to turn over the food. Press START to resume defrosting.

#### MULTI-STAGE COOKING

---

The oven can be programmed to do several consecutive functions.

Suppose you want to set the following cooking program:

① Jet Defrost.;

② Microwave cooking;

③ Grill cooking.

1. If necessary, touch STOP/CANCEL pad once to reset the oven.
2. Input Jet Defrost program.
3. Press MEMORY pad.
4. Input Microwave cooking program.
5. Touch MEMORY pad.
6. Input Grill cooking program.
7. Touch START pad.

**Note:** Jet Defrost or Weight Defrost should be included only when it is set foremost in a multistage cooking program. Neither Quick Start nor Auto Cook can be set in the multistage cooking program.

The respective lights will come on to indicate which stage the oven is operating in. After total time has elapsed, an end signal will sound.

#### PRESET

---

Preset function allows the oven to start up in a later time. Suppose now the clock running at 11:10 and you want the oven to start cooking at 11:30.

Set a cooking program

- Touch PRESET pad.
- Use the number pads to enter the time 11:30 when it should start.
- Touch START pad.

**Note:** Make sure that the food is placed into the oven in advance before any cooking starts.

#### CHILD LOCK

---

Used to prevent unsupervised operation of the oven by children. The child lock indicator will show up on the display screen. The oven cannot be operated while the Child Lock is set.

- To set, in standby mode, press and hold the STOP/CANCEL button for 3 seconds, a beep sounds and lock indicator lights up.
- To cancel, press and hold the STOP/CANCEL button for 3 seconds until lock indicator on display goes off.

## AUTO COOK

---

For food or the following cooking mode, it is not necessary to program the duration and the cooking power. It is sufficient to indicate the type of food that you wish to cook as well as the weight of this food.

For example, to cook a certain amount of potato:

- Place potato in the oven.
- Press POTATO a number of times to select weight.
- Press START button.

### Auto Cook Menu

Food	Note
Beverage (each 200ml)	For beverage and dinner entree, parameters on screen are not weight but number of servings.
Dinner Entree (unit)	
Reheat (g)	For some foods, oven will pause during cooking to let you turn over food. Be careful when handling the very hot food in the oven. To resume cooking, just close the door, the oven will cook for the remaining time.
Potato (g)	
Pizza (g)	
Fish (g)	Power fluctuation and other factors may cause the auto cooking function not to be cooked exactly to your liking; the user may adjust cooking time accordingly.
Chicken (g)	
Vegetable (g)	
Beef/Mutton (g)	
Sausage (g)	
Pork (g)	

## CLEANING & CARE

---

1. Turn off the oven and remove the power plug from the wall socket before cleaning.
2. Keep the inside of the oven clean. When food splatters or spilled liquids adhere to oven walls, wipe with a damp cloth. Mild detergent may be used if the oven gets very dirty. Avoid the use of spray and other harsh cleaners as they may stain, streak or dull the door surface.
3. The outside surfaces should be cleaned with a damp cloth. To prevent damage to the operating parts inside the oven, water should not be allowed to seep into the ventilation openings.
4. Wipe the door and window on both sides, the door seals and adjacent parts frequently with a damp cloth to remove any spills or splatters. Do not use abrasive cleaner.
5. Do not allow the control panel to become wet. Clean with a soft, damp cloth. When cleaning the control panel, leave oven door open to prevent oven from accidentally turning on.
6. If steam accumulates inside or around the outside of the oven door, wipe with a soft cloth. This may occur when the microwave oven is operated under high humidity condition. And it is normal.
7. It is occasionally necessary to remove the glass tray for cleaning. Wash the tray in warm sudsy water or in a dishwasher.

8. The roller ring and oven floor should be cleaned regularly to avoid excessive noise. Simply wipe the bottom surface of the oven with mild detergent. The roller ring may be washed in mild sudsy water or dishwasher. When removing the roller ring from cavity floor for cleaning, be sure to replace in the proper position.
9. Remove odors from your oven by combining a cup of water with the juice and skin of one lemon in a deep microwaveable bowl, microwave for 5 minutes. Wipe thoroughly and dry with a soft cloth.
10. When it becomes necessary to replace the oven light, please consult a serviceman/electrician to have it replaced.
11. The oven should be cleaned regularly and any food deposits removed. Failure to maintain the oven in a clean condition could lead to deterioration of the surface that could adversely affect the life of the appliance and possibly result in a hazardous situation.
12. Please do not dispose this appliance into the domestic rubbish bin; it should be disposed to the particular disposal center provided by the municipalities.
13. When the microwave oven with grill function is first used, it may produce slight smoke and smell. This is a normal phenomenon, because the oven is made of a steel plate coated with lubricating oil, and the new oven will produce fumes and odor generated by burning the lubricating oil. This will disappear after a few uses.

## AUSTRALIAN CUSTOMER SERVICE

---

GAF Control (Sales) Pty Ltd

P.O Box 19

Altona North Victoria 3025

Phone: 1300 659 489

Hours: 9am-5pm (EST) Mon-Fri

**[www.gafcontrol.com.au](http://www.gafcontrol.com.au)**

\*This product may vary slightly to the product illustrated due to ongoing product development.