

Grizzly **Industrial, Inc.**®

1½ HP HEAVY-DUTY SHAPER

MODEL G1035 PARTS LIST



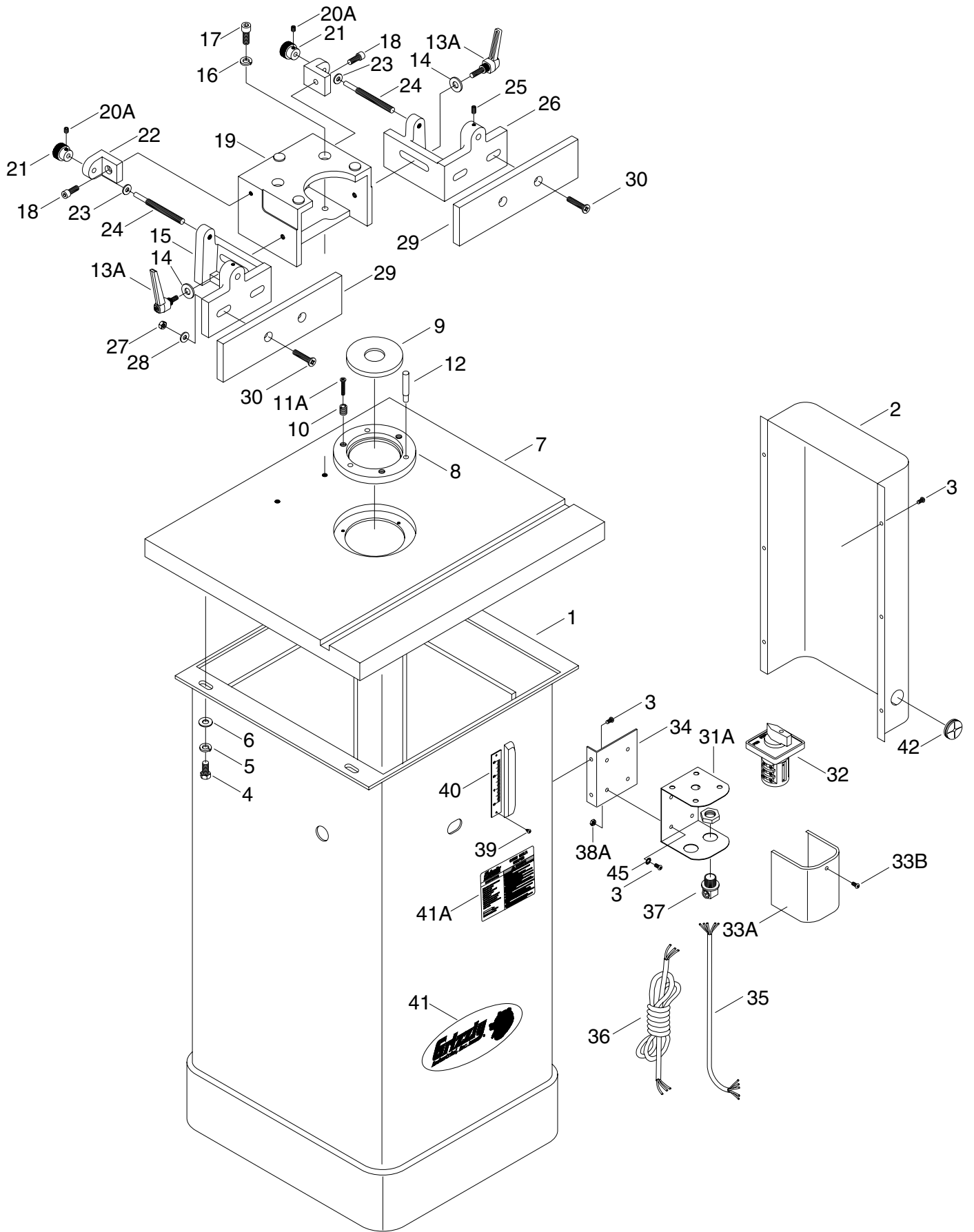
COPYRIGHT © 1990 BY GRIZZLY INDUSTRIAL, INC.

**WARNING: NO PORTION OF THIS MANUAL MAY BE REPRODUCED IN ANY SHAPE
OR FORM WITHOUT THE WRITTEN APPROVAL OF GRIZZLY INDUSTRIAL, INC.**

REVISED OCTOBER, 2002. PRINTED IN TAIWAN

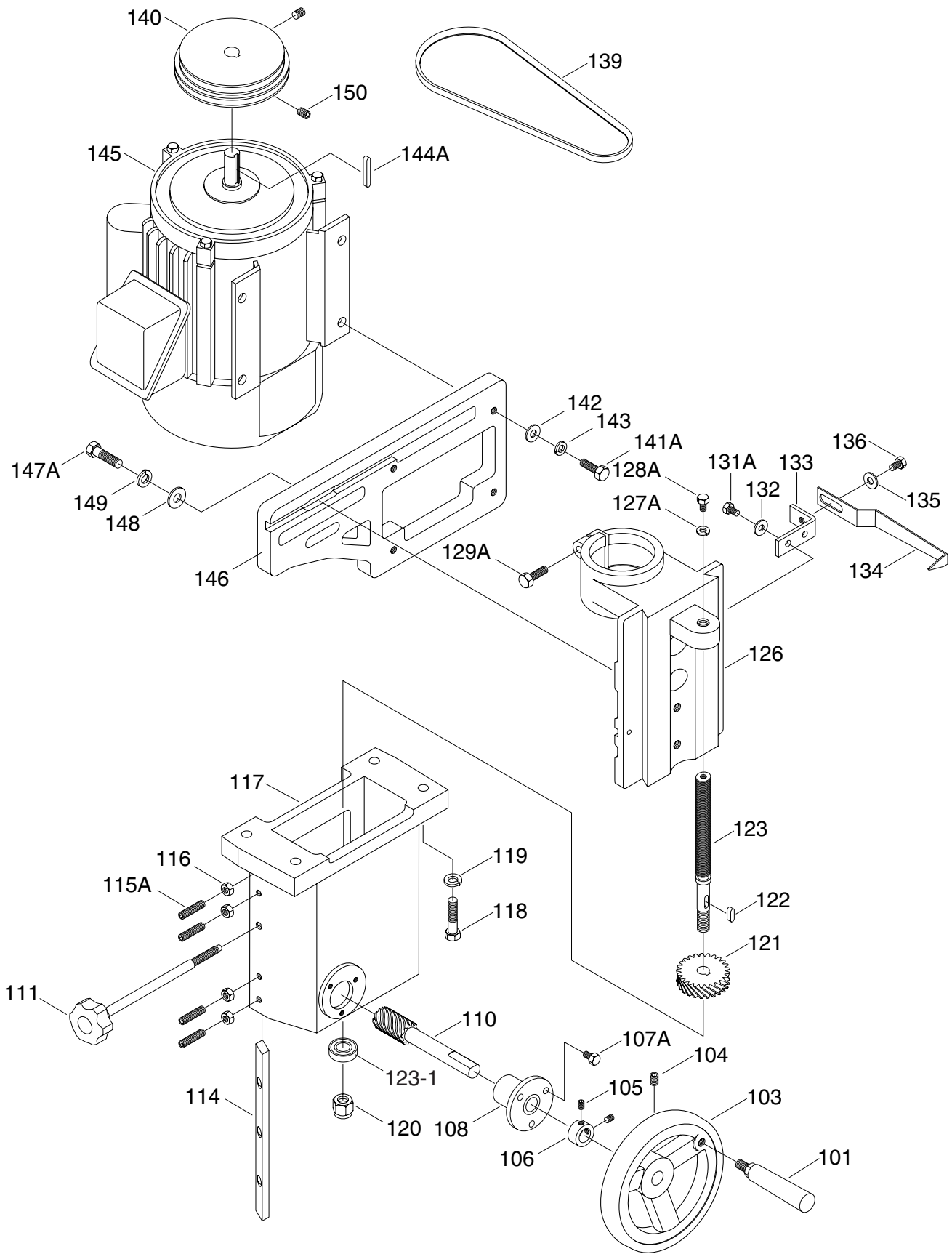
ONLINE PARTS LIST DISCLAIMER

THESE PARTS REPRESENT THE CONFIGURATION OF THE MACHINE AS IT IS CURRENTLY BEING SHIPPED. THE MACHINE CONFIGURATION CAN CHANGE AS PRODUCT IMPROVEMENTS ARE INCORPORATED. IF YOU OWN AN EARLIER VERSION OF THE MACHINE, THIS PARTS LIST MAY NOT EXACTLY DEPICT YOUR MACHINE. CONTACT CUSTOMER SERVICE IF YOU HAVE ANY QUESTIONS ABOUT PART DIFFERENCES. PREVIOUS PARTS LIST VERSIONS ARE NOT AVAILABLE ONLINE.



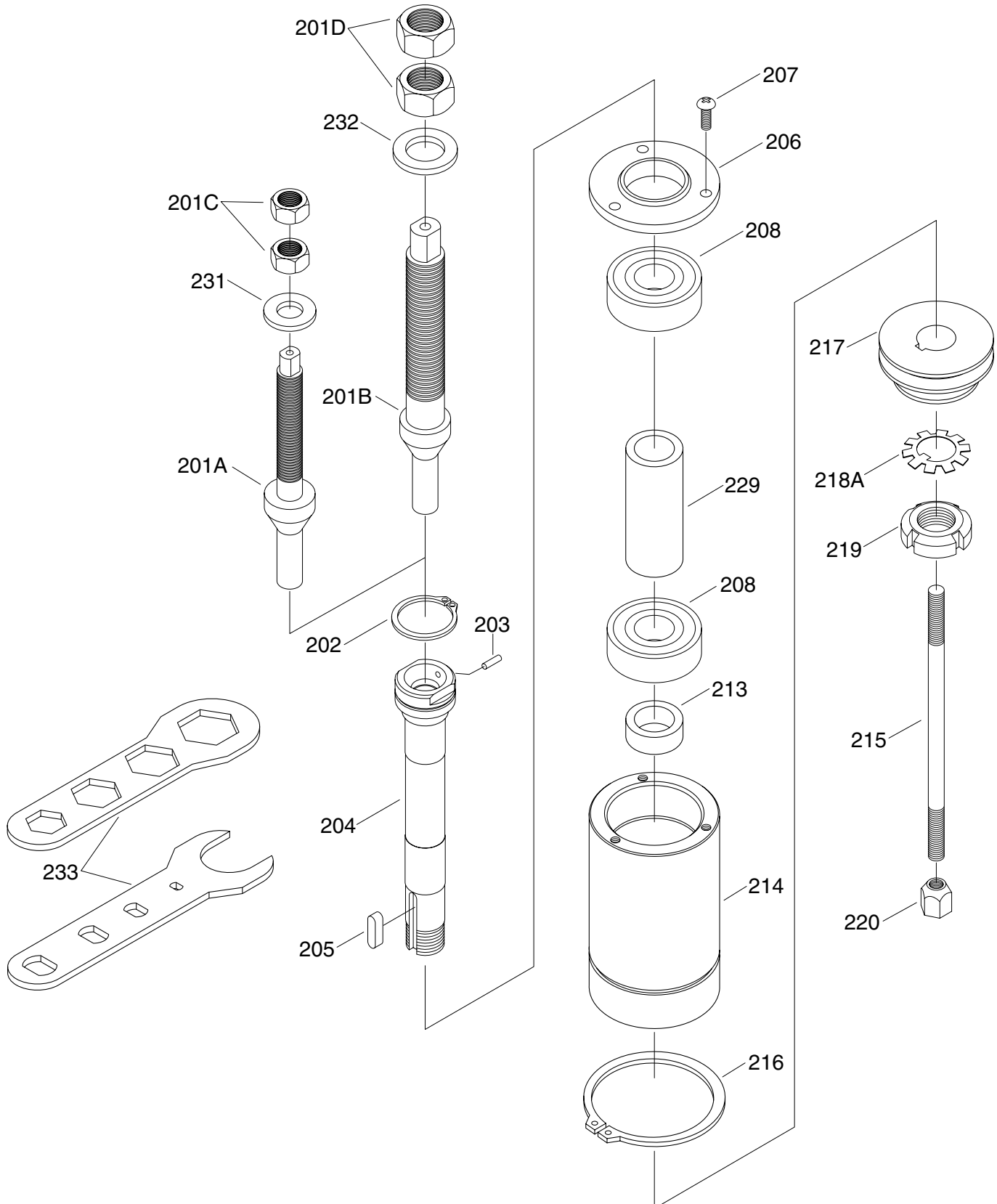
REF	PART #	DESCRIPTION
01	P1035001	STAND
02	P1035002	MOTOR COVER
03	PS06	PHLP HD SCRW 10-24 x 3/8"
04	PB21	HEX BOLT 3/8" - 16 x 3/4"
05	PLW04	LOCK WASHER 3/8"
06	PW02	FLAT WASHER 3/8"
07	P1035007	TABLE
08	P1035008	TABLE INSERT
09	P1035009	TABLE INSERT
10	P1035010	BARREL SCREW
11A	PFH21	FLAT HD SCRW 10-24 x 3/4"
12	P1035012	STARTING PIN
13A	P1026046	LOCK HANDLE 5/16" - 18 x 1"
14	PW07	FLAT WASHER 5/16"
15	P1035015	FENCE MOUNT, LEFT
16	PLW04	LOCK WASHER 3/8"
17	PSB16	CAP SCREW 3/8" - 16 x 3/4"
18	PSB07	CAP SCREW 5/16" - 18 x 3/4"
19	P1035019	MAIN FENCE HOUSING
20A	PSS05	SETSCREW 5/16" - 18 x 1/4"
21	P1035021	KNURLED KNOB
22	P1035022	ADJ. SCREW BRACKET

REF	PART #	DESCRIPTION
23	PW07	FLAT WASHER 5/16"
24	P1035024	FENCE ADJ. SCREW
25	PSS03	SETSCREW 1/4" - 20 x 3/8"
26	P1035026	FENCE MOUNT RIGHT
27	PN02	HEX NUT 5/16" - 18
28	PW07	FLAT WASHER 5/16"
29	P1035029	WOOD FACING
30	PFH07	FLT HD SCRW 5/16" - 18 x 1 1/4"
31A	P1035031A	SWITCH BOX
32	PSW03	FWD/REV SWITCH
33A	P1035033A	SWITCH BOX COVER
33B	PFS04M	FLANGE SCREW M4-.7 X 6
34	P1035034	MOUNT BRACKET
35	P1035035	MOTOR CORD, 5 WIRE
36	P1035036	POWER CORD, 3 WIRE
37	P1071075	STRAIN RELIEF
38A	PN07	HEX NUT 10-24
39	PHTEK1	SELF TAPPING SCREW
40	P1026041	SCALE
41	P1035041	NAMEPLATE LABEL
41A	P1035041A	WARNING LABEL
42	P1035042	GROMMET
45	PTLW01	EXT TOOTH WASHER #10



REF	PART #	DESCRIPTION
101	P1035101	HANDLE W/#102
103	P1035103	HANDWHEEL
104	PSS02	SETSCREW 5/16" - 18 x 3/8"
105	PSS11	SETSCREW 1/4" - 20 x 1/4"
106	P1035106	COLLAR W/#109
107A	PSB17	CAP SCREW 1/4" - 20 x 3/8"
108	P1035108	SHAFT MOUNT
110	P1035110	WORM SHAFT
111	P1035111	HAND KNOB W/#112,113
114	P1035114	GIB
115A	PSS20	SETSCREW 5/16" - 18 x 1 1/2"
116	PN02	HEX NUT 5/16" - 18
117	P1035117	ELEVATION HOUSING
118	PB16	HEX BOLT 3/8" - 16 x 1 1/2"
119	PLW04	LOCK WASHER 3/8"
120	PLN06	LOCK NUT 1/2" - 13
121	P1035121	GEAR 25T
122	PK20M	KEY 5 x 5 x 15mm
123	P1035123	ELEVATION LEADSCREW
123-1	P51102	BEARING 51102
126	P1035126	SPINDLE SLIDE
127A	PW07	FLAT WASHER 5/16"

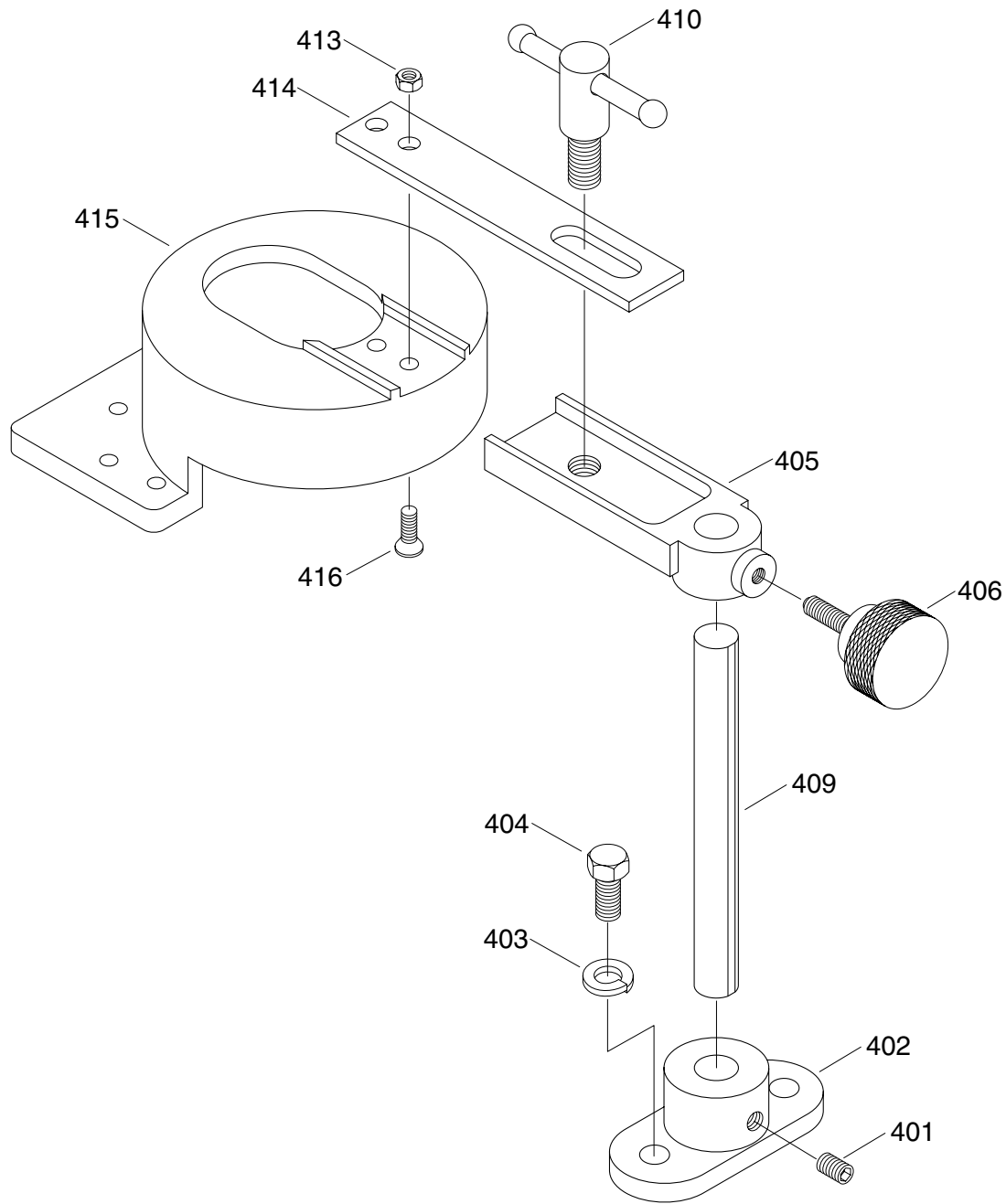
REF	PART #	DESCRIPTION
128A	PB15	HEX BOLT 5/16" - 18 x 3/8"
129A	PB12	HEX BOLT 5/16" - 18 x 1 1/4"
131A	PB19	HEX BOLT 1/4" - 20 x 1/2"
132	PW06	FLAT WASHER 1/4"
133	P1035133	"L" BRACKET
134	P1035134	POINTER
135	PW07	FLAT WASHER 5/16"
136	PB15	HEX BOLT 5/16" - 18 x 3/8"
137	P1035137	CABLE CLAMP
139	P1035139	V-BELT 7 x 600L
140	P1035140	MOTOR STEP PULLEY
141A	PB12	HEX BOLT 5/16" - 18 x 1 1/4"
142	PW07	FLAT WASHER 5/16"
143	PLW01	LOCK WASHER 5/16"
144A	PK12M	KEY 5 x 5 x 30MM
145	P1035145	MOTOR 1 1/2 HP
146	P1035146	MOTOR MOUNT PLATE
147A	PB16	HEX BOLT 3/8" - 16 x 1 1/2"
148	PW02	FLAT WASHER 3/8"
149	PLW04	LOCK WASHER 3/8"
150	PSS02	SETSCREW 5/16" - 18 x 3/8"



REPLACEMENT SPINDLE CARTRIDGES P/N 204 SUPPLIED WITH PIN P/N 203

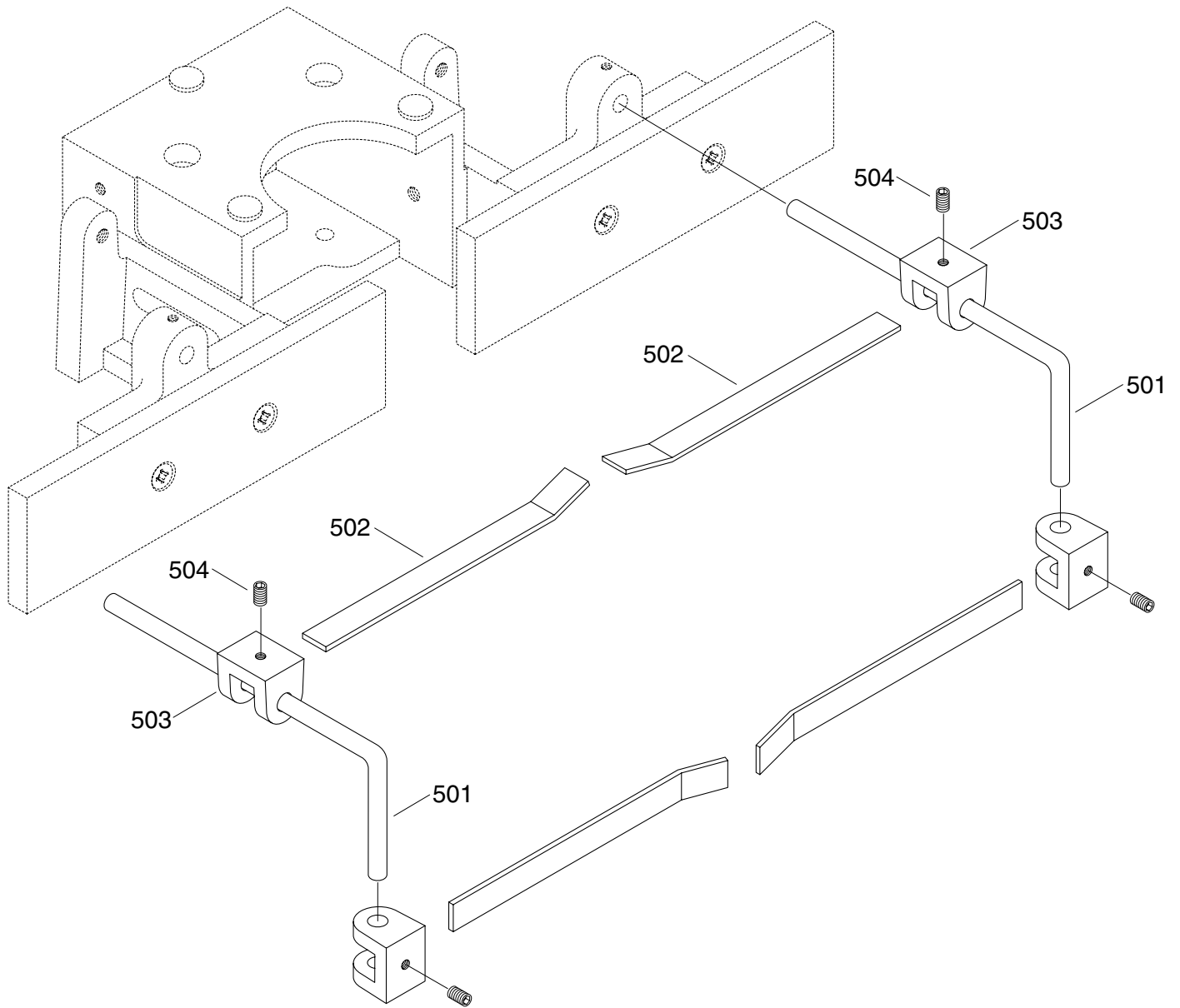
REF	PART #	DESCRIPTION
201A	P1035201A	1/2" SPINDLE
201B	P1035201B	3/4" SPINDLE
201C	P1035201C	1/2" SPINDLE NUT SET
201D	P1035201D	3/4" SPINDLE NUT SET
202	PR15M	SNAP RING 30mm
203	P1035203	PIN
204	P1035204	SPINDLE CARTRIDGE
205	PK14M	KEY 5 x 5 x 18mm
206	P1035206	HOUSING CAP
207	PS01	PHLP SCRW 10-24 x 1/2"
208	P6204	BEARING 6204-2RS
213	P1035213	SLEEVE
214	P1035214	BEARING HOUSING
215	P1035215	DRAW BAR
216	PR13M	SNAP RING 65mm
217	P1035217	STEP PULLEY

REF	PART #	DESCRIPTION
218A	P1035218A	TOOTHED WASHER 3/4"
219	P1035219	SPANNER NUT
220	P1035220	DRAW BAR NUT
221	G2454	1/2" x 1" x 1/4" SPACER
222	G2455	1/2" x 1" x 3/8" SPACER
223	G2456	1/2" x 1" x 1/2" SPACER
224	G2457	1/2" x 1" x 3/4" SPACER
225	G2460	3/4" x 1 1/4" x 1/4" SPACER
226	G2461	3/4" x 1 1/4" x 3/8" SPACER
227	G2462	3/4" x 1 1/4" x 1/2" SPACER
228	G2463	3/4" x 1 1/4" x 3/4" SPACER
229	P1035229	SPACER, LONG
231	P1026223A	1/2" SPINDLE WASHER
232	P1026224A	3/4" SPINDLE WASHER
233	P1026226	SPINDLE WRENCH SET

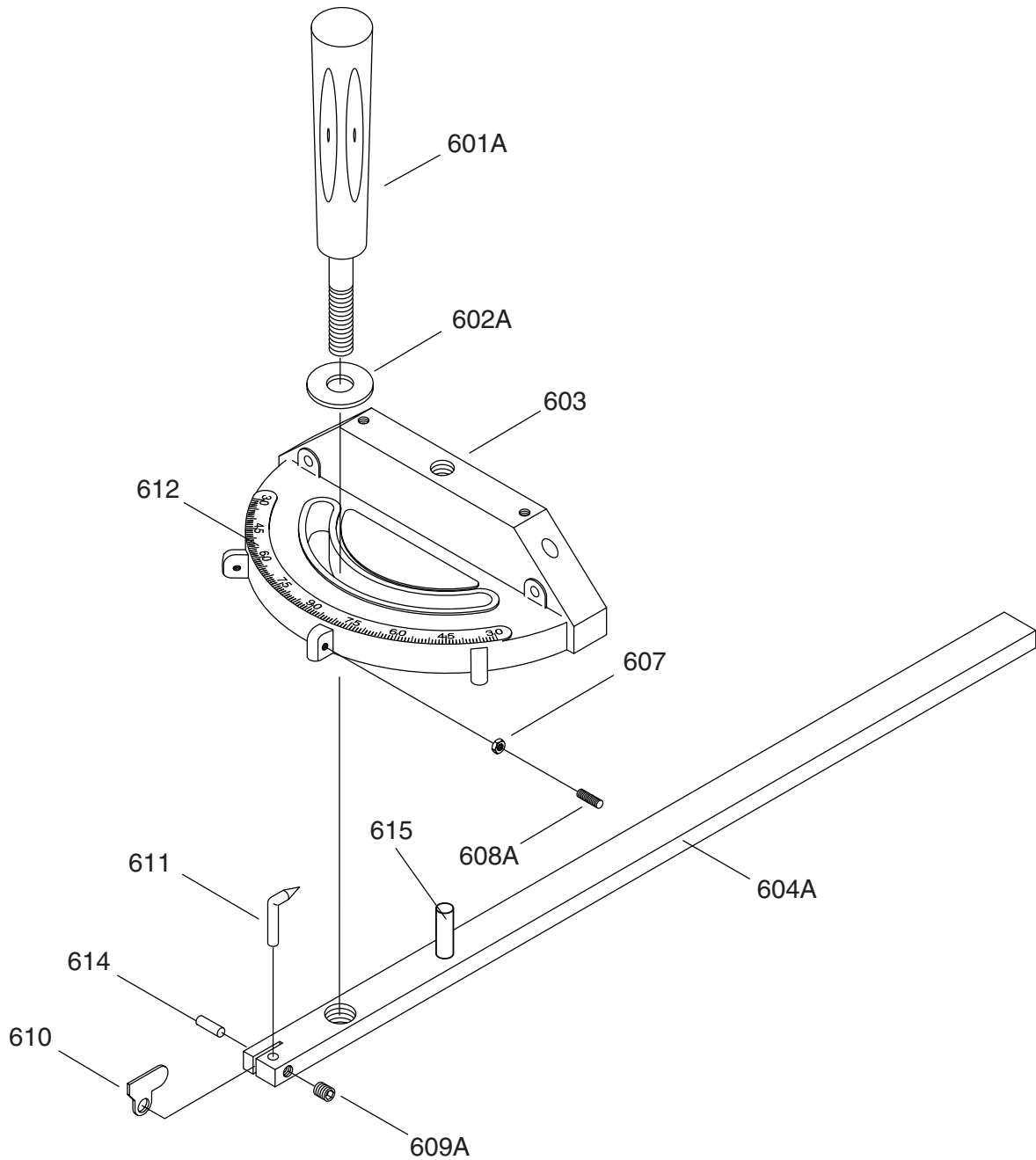


REF	PART #	DESCRIPTION
401	PSS02	SETSCREW $\frac{5}{16}$ " - 18 x $\frac{3}{8}$ "
402	P1035402	SHAFT MOUNT
403	PLW04	LOCK WASHER $\frac{3}{8}$ "
404	PB21	HEX BOLT $\frac{3}{8}$ " - 16 x $\frac{3}{4}$ "
405	P1035405	EXTENSION BRACKET
406	P1026306	LOCK KNOB ASSEMBLY W/#407, 408

REF	PART #	DESCRIPTION
409	P1026309	SHAFT
410	P1035410	HANDLE ASY. W/#411, 412
413	PN05	HEX NUT $\frac{1}{4}$ " - 20
414	P1035414	EXTENSION BAR
415	P1035415	GUARD
416	PFH04	FLT HD SCRW $\frac{1}{4}$ " - 20 x $\frac{5}{8}$ "



REF	PART #	DESCRIPTION
501	P1035501	HOLD-DOWN BAR
502	P1035502	HOLD-DOWN
503	P1035503	BRACKET, HOLD-DOWN
504	PSS03	SETSCREW 1/4" - 20 x 3/8"



REF#	PART#	DESCRIPTION
601A	P1023401A	MITER HANDLE
602A	PW07	FLAT WASHER 5/16"
603	P1023403	MITER GAUGE BODY
604A	P1035604	MITER BAR
607	PN07	HEX NUT 10-24
608A	PSS32	SETSCREW 10-24 X 3/4"
609A	PSS29	SETSCREW 10-24 X 1/4"

REF#	PART#	DESCRIPTION
610	P1023410	STOP
611	P1023411	POINTER
612	P1023212	SCALE
614	PRP54M	ROLL PIN 1.5 X 3MM
615	P1023SL415	MITER HINGE PIN
616	P1035616	COMPLETEMITER GAUGE