

Frigidaire

Factory Parts Catalog

| | | | |
|---------------------------|---------------|---------------|---------------|
| Product No. | FRT8B5EQ0 | FRT8B5EW0 | FRT8B5EZ0 |
| Series | R134a | R134a | R134a |
| Color | bisque | white | white (left) |
| Volts | 115 | 115 | 115 |
| Wiring Diagram | 240398801 | 240398801 | 240398801 |
| Owner's Guide | 240400112 | 240400112 | 240400112 |
| Market | North America | North America | North America |
| Energy Guide | 241613702 | 241613702 | 241613702 |
| Service Data Sheet | 240379015 | 240379015 | 240379015 |
| Installation Instructions | 240568300 | 240568300 | 240568300 |

 **Electrolux**

ELECTROLUX HOME PRODUCTS, INC.
P.O. Box 212378
Augusta, GA 30917

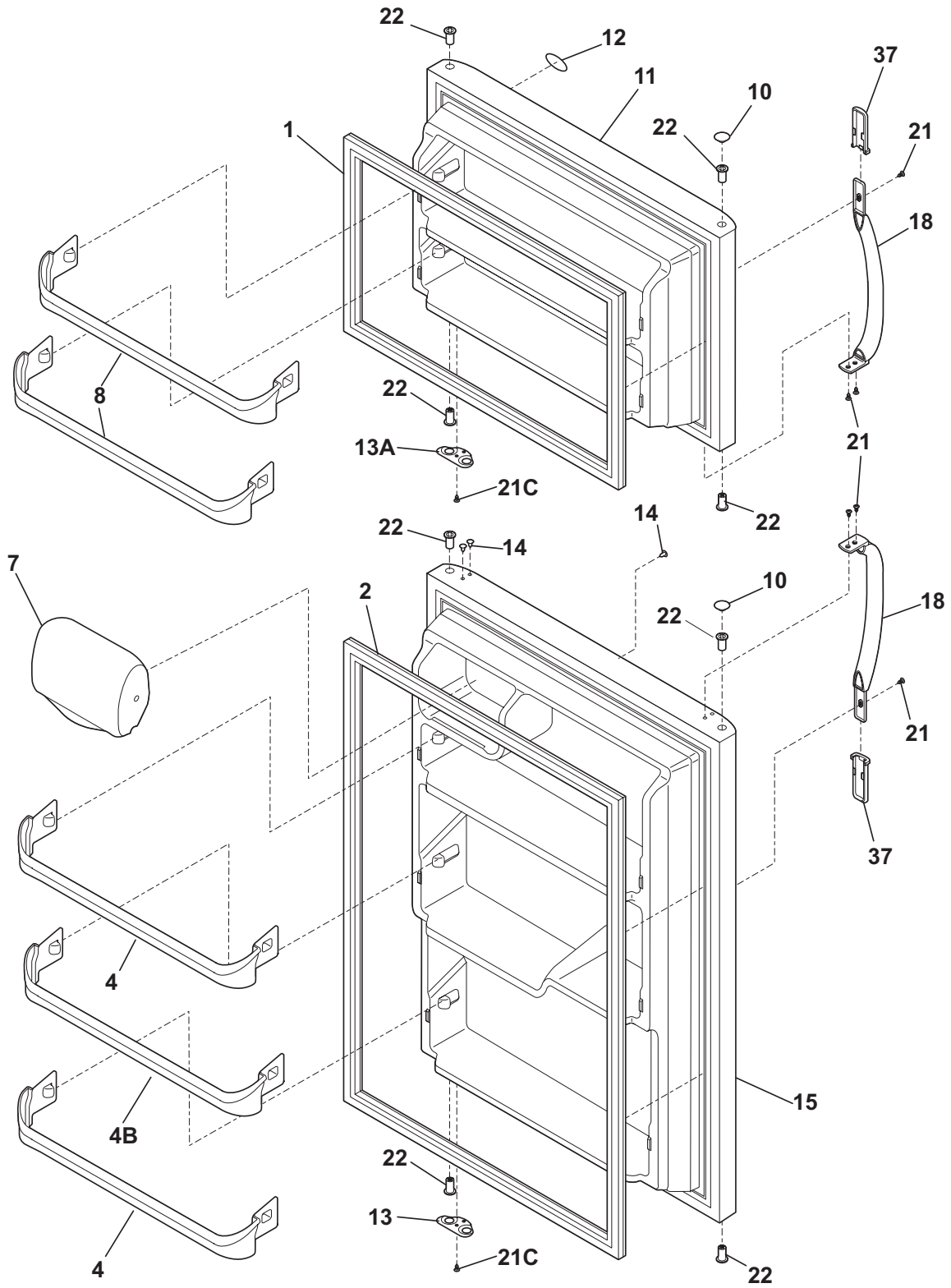
Publication No.
5995431367
05/03/14
(EN/SERVICE/WC)
390

**TOP-MOUNT
REFRIGERATOR**

Model No.
FRT8B5E

Copyright © 2005 Electrolux Home Products, Inc.
All rights reserved.

DOOR



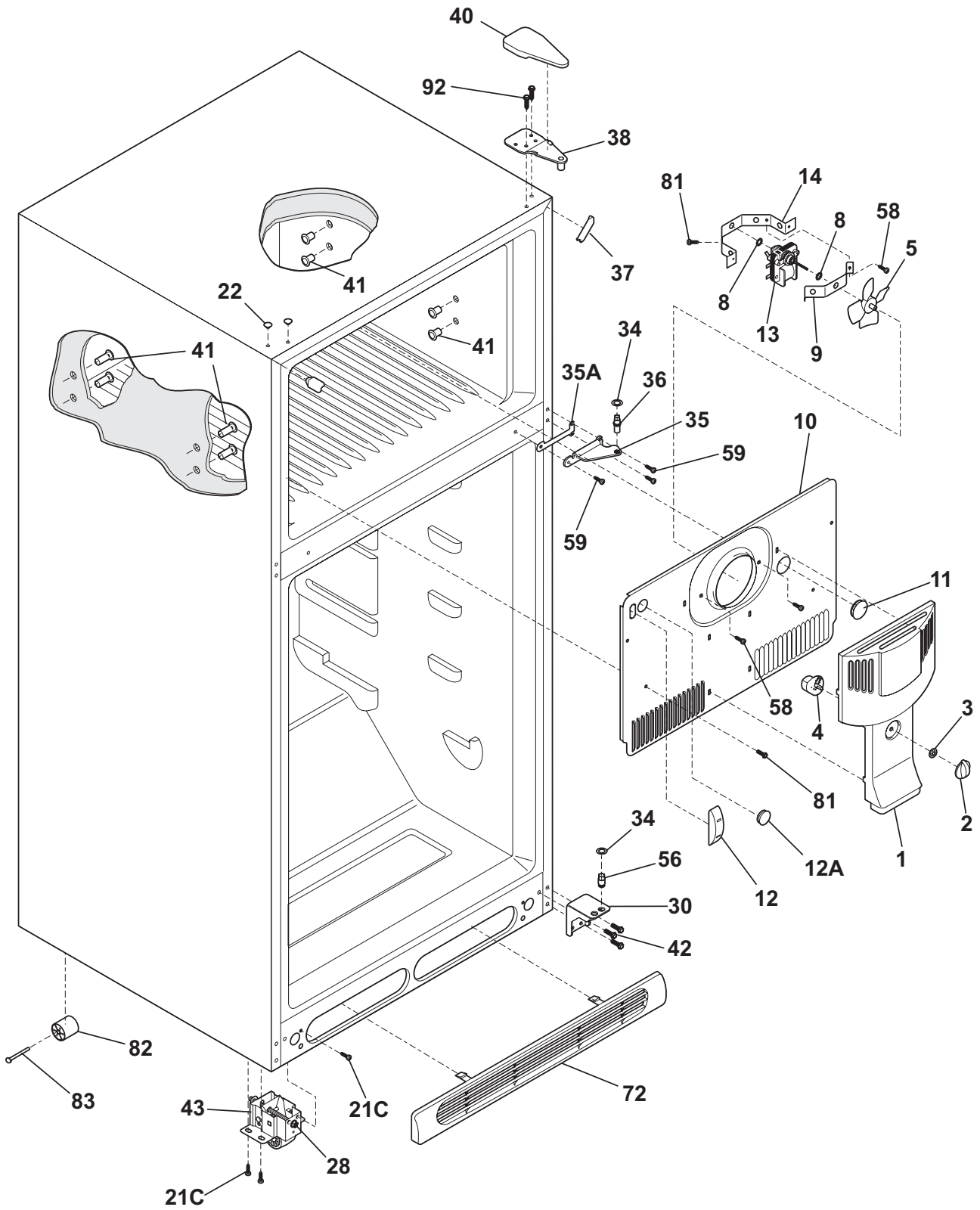
N05DAACKA1

DOOR

Model Index: **A** FRT8B5E (FRT8B5EQ0)
 B FRT8B5E (FRT8B5EW0)
 C FRT8B5E (FRT8B5EZ0)

| POS. NO | PART NO. | | DESCRIPTION |
|---------|-----------|-------|--|
| 1 | 240542103 | A B C | Gasket-frzr door, white, magnetic |
| 2 | 240542106 | A B C | Gasket-refr door, white, magnetic |
| 4 | 240534901 | A B C | Rack-door |
| 4B | 240534701 | A B C | Rack-door, 4B |
| 7 | 240337703 | A B C | Door-dairy, w/o graphics, clear |
| 8 | 240534801 | A B C | Rack-door |
| 10 | 240381302 | A - - | Plug-button, bisque, hinge brg hole, (2) |
| 10 | 240381301 | - B C | Plug-button, white, hinge brg hole, (2) |
| 11 | 240412502 | A - - | Door, frzr, bisque, complete assy |
| 11 | 240412501 | - B C | Door, frzr, white, complete assy |
| 12 | 240415203 | A - - | Label-nameplate, bisque |
| 12 | 240415201 | - B C | Label-nameplate, white |
| 13 | 240312407 | A - - | Door Stop, bisque, ref |
| 13 | 240312403 | - B C | Door Stop, white, ref |
| 13A | 240312408 | A - - | Door Stop, bisque, frzr |
| 13A | 240312404 | - B C | Door Stop, white, frzr |
| 14 | 240494002 | A - - | Plug-button, bisque |
| 14 | 240494001 | - B C | Plug-button, white |
| 15 | 240412602 | A - - | Door, refr, bisque, complete assy |
| 15 | 240412601 | - B C | Door, refr, white, complete assy |
| 18 | 218668004 | A - - | Handle-door, bisque |
| 18 | 218668001 | - B C | Handle-door, white |
| 21 | 240383401 | A B C | Screw, truss hd quad, #10-16 x .500 |
| 21C | 218252200 | A B C | Screw, #8 truss hd, 10-32CA x 0.500 |
| 22 | 240527101 | A B C | Bearing-hinge, natural color |
| 37 | 215870633 | A - - | Trim-handle, 2.47", bisque, w/satin AL band |
| 37 | 215870629 | - B C | Trim-handle, 2.47", white, w/satin AL band |
| 37* | 218676004 | A B C | Band-decorative, satin aluminum, handle trim |

CABINET



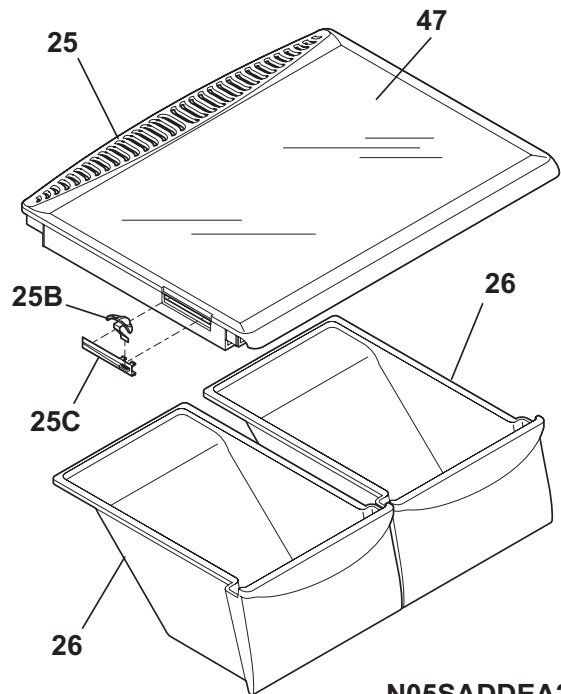
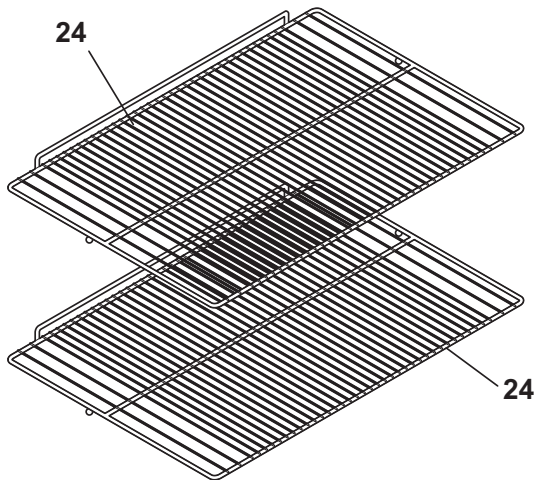
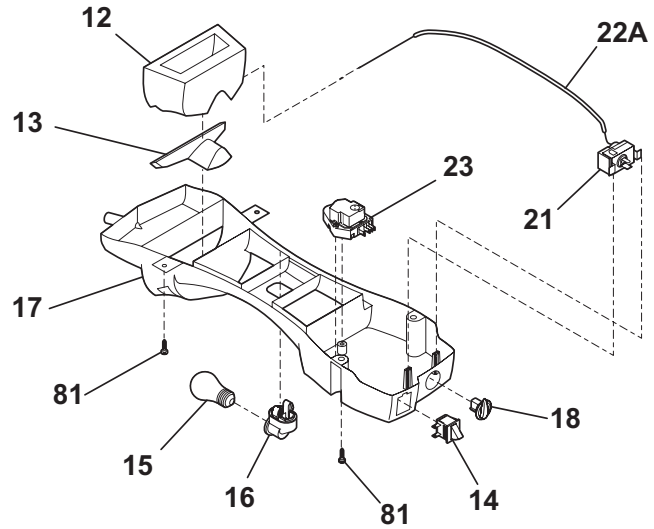
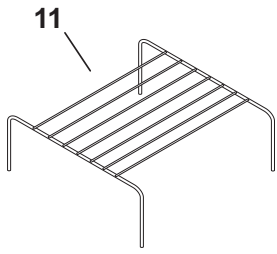
N05BBAABA21

CABINET

Model Index: A FRT8B5E (FRT8B5EQ0)
 B FRT8B5E (FRT8B5EW0)
 C FRT8B5E (FRT8B5EZ0)

| POS. NO | PART NO. | | DESCRIPTION |
|---------|------------|-------|--|
| 1 | 240355401 | A B C | Cover-fan |
| 2 | 240367001 | A B C | Knob-damper control |
| 3 | 5303001028 | A B C | Nut, push-on |
| 4 | 241523701 | A B C | Damper-fan cover |
| 5 # | 5308000010 | A B C | Fan Blade, red, evaporator fan |
| 8 | 5300157666 | A B C | Bushing-motor mtg, (2) |
| 9 | 5303292396 | A B C | Bracket-motor mtg, front |
| 10 | 240462010 | A B C | Cover-evap coil |
| 10* | 240568601 | A B C | Seal-coil cover |
| 10* | 241520701 | A B C | Harness-wiring, freezer |
| 11 | 5303208309 | A B C | Plug-hole, factory test |
| 12 | 241557601 | A B C | Plug-ice maker harness, rectangular |
| 12* | 218843800 | A B C | Screw, hex wshr hd, 8-15A x 0.500 |
| 12A | 240374401 | A B C | Plug-wtr inlet tube, round, 1" |
| 12A* | 241586701 | A B C | Plug-foam-wtr-inlet, round |
| 13 # | 240369702 | A B C | Motor-evap fan |
| 13* | 215474201 | A B C | Washer, "slinger", nylon, evap fan shaft |
| 13* | 218931001 | A B C | Clamp-motor wiring, nylon, w/adhesive tape |
| 14 | 5303292397 | A B C | Bracket-motor mtg, rear |
| 14* | 240433202 | A B C | Screw, hex washer head, 8-18 x 5/16 |
| 21C | 218252200 | A B C | Screw, #8 truss hd, 10-32CA x 0.500 |
| 22 | 215774919 | A - - | Plug-button, bisque, upr hinge holes |
| 22 | 215774901 | - B C | Plug-button, white, upr hinge holes |
| 28 | 240335501 | A B C | Bolt-roller adj, hex washer head, 1/4-20 x 4.020, (2), special |
| 30 | 240314004 | A - - | Bracket-lower hinge, bisque |
| 30 | 240314002 | - B C | Bracket-lower hinge, white |
| 34 | 240311303 | A B C | Washer, hinge, nylon, (2) |
| 35 | 240313804 | A - - | Bracket-ctr hinge, bisque |
| 35 | 240313802 | - B C | Bracket-ctr hinge, white |
| 35A | 240336802 | A B C | Spacer-hinge, center |
| 36 | 240516401 | A B C | Pin-center hinge |
| 37 | 241611304 | A - - | Trim-cabinet corner, bisque, (2) |
| 37 | 241611301 | - B C | Trim-cabinet corner, white, (2) |
| 38 | 240313701 | A B C | Bracket-upper hinge |
| 40 | 240354403 | A - - | Cover-upper hinge, bisque |
| 40 | 240354401 | - B C | Cover-upper hinge, white |
| 41 | 5303001609 | A B C | Grommet, shelf mtg, 0.69", RH |
| 41* | 5308009759 | A B C | Grommet, shelf mtg, 1.25", LH, (4) |
| 42 | 240578901 | A B C | Screw-hinge mtg, hex head, 1/4-20 x 5/8 |
| 43 | 240335003 | A B C | Roller Assy, front, (2) |
| 56 | 240516501 | A B C | Pin-lower hinge |
| 58 | 5303001343 | A B C | Screw, hex washer head, 8-15A x 0.500 |
| 59 | 240442704 | A - - | Screw-#10-32 X 3/4, bisque |
| 59 | 240442702 | - B C | Screw-#10-32 X 3/4, white |
| 72 | 240368206 | A - - | Grille/Kickplate, bisque |
| 72 | 240368205 | - B C | Grille/Kickplate, white |
| 81 | 5308016566 | A B C | Screw, hex washer head, 8-15A x 0.625, low profile |
| 82 | 5304418225 | A B C | Roller, compressor base, rear, (2) |
| 83 | 5303316859 | A B C | Rivet, flat head, 1/4 OD x 1-3/4, roller pin |
| 92 | 5303001479 | A B C | Screw-hinge mtg, hex hd, 1/4-20 x 0.875 |
| * | 240479601 | A B C | Plug, button, cab liner holes, (2) |
| * | 5304414035 | A - - | Paint, touch-up, bisque |
| * | 5303305324 | - B C | Paint, touch-up, white |

SHELVES



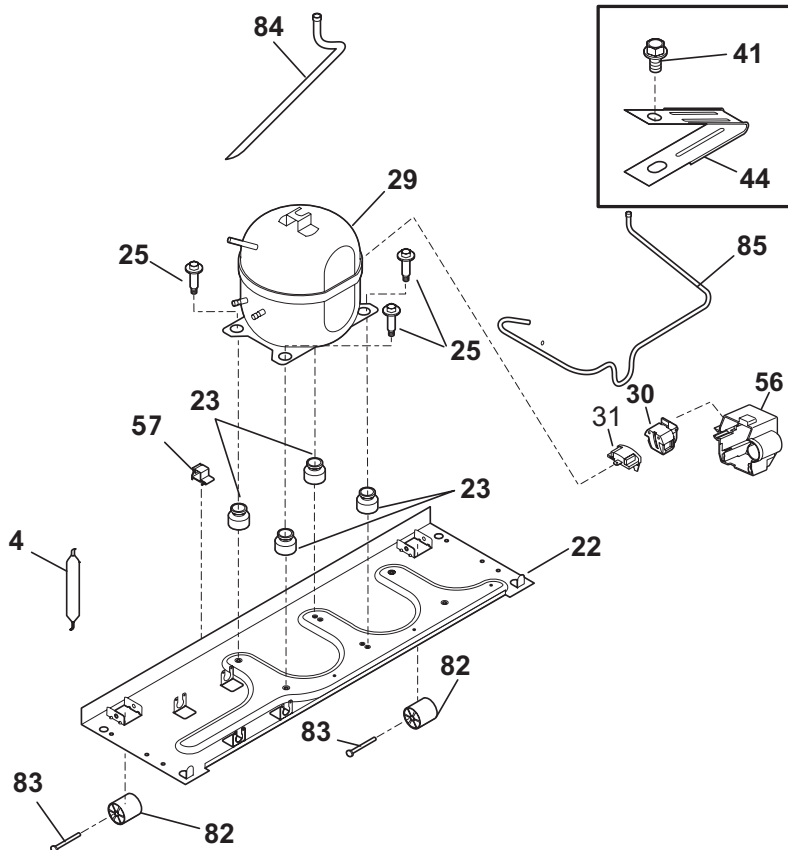
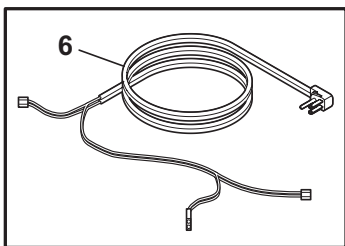
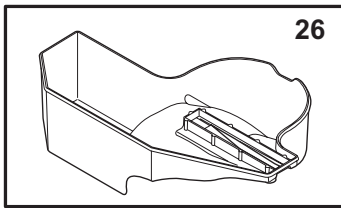
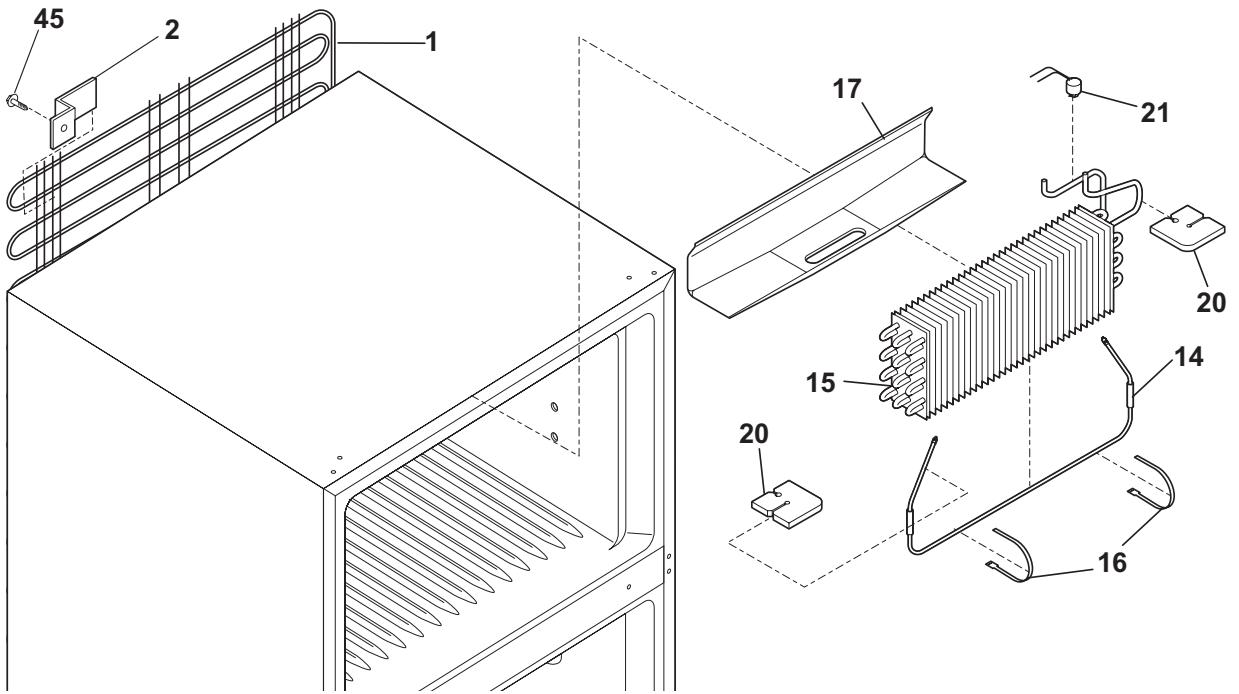
N05SADDEA2

SHELVES

Model Index: A FRT8B5E (FRT8B5EQ0)
 B FRT8B5E (FRT8B5EW0)
 C FRT8B5E (FRT8B5EZ0)

| POS. NO | PART NO. | | DESCRIPTION |
|---------|------------|-------|--|
| 11 | 5303282284 | A B C | Shelf-freezer, "table type" |
| 11* | 5303299664 | A B C | Spacer, shelf |
| 12 | 241542001 | A B C | Diffuser, air, top |
| 13 | 240362601 | A B C | Diffuser, air, bottom |
| 14 # | 241554901 | A B C | Switch-light/lamp |
| 15 | 241555401 | A B C | Light Bulb |
| 16 | 241559801 | A B C | Socket-light |
| 17 | 240352701 | A B C | Control Box |
| 17* | 240568607 | A B C | Seal |
| 17*# | 240388701 | A B C | Wiring Harness, control box |
| 18 | 240360801 | A B C | Knob, temp control |
| 21 | 5304421256 | A B C | Control, temperature |
| 22A | 240468201 | A B C | Tube, sensor sleeve, 31 inch, plastic, white |
| 23 # | 241621501 | A B C | Timer-defrost |
| 23* | 5303001259 | A B C | Screw-timer mtg, pan hd, 6-20 x 0.438, (2) |
| 24 | 240360905 | A B C | Shelf, sliding, wire |
| 25 | 240364713 | A B C | Cover-crisper pan, with beam, humid cont |
| 25B | 240361201 | A B C | Control-humidity |
| 25C | 240361301 | A B C | Damper, humidity cont. |
| 26 | 240337107 | A B C | Pan-crisper, clear, (2), no graphics |
| 47 | 240350608 | A B C | Insert-pan cover, 23.82" x 15.50", glass |
| 81 | 5308016566 | A B C | Screw, hex washer head, 8-15A x 0.625, low profile |
| 123 | 215005100 | A B C | Screw, hanger/rlr mtg, 8-10 x 0.438 |

SYSTEM



N05CBBBAC1

SYSTEM

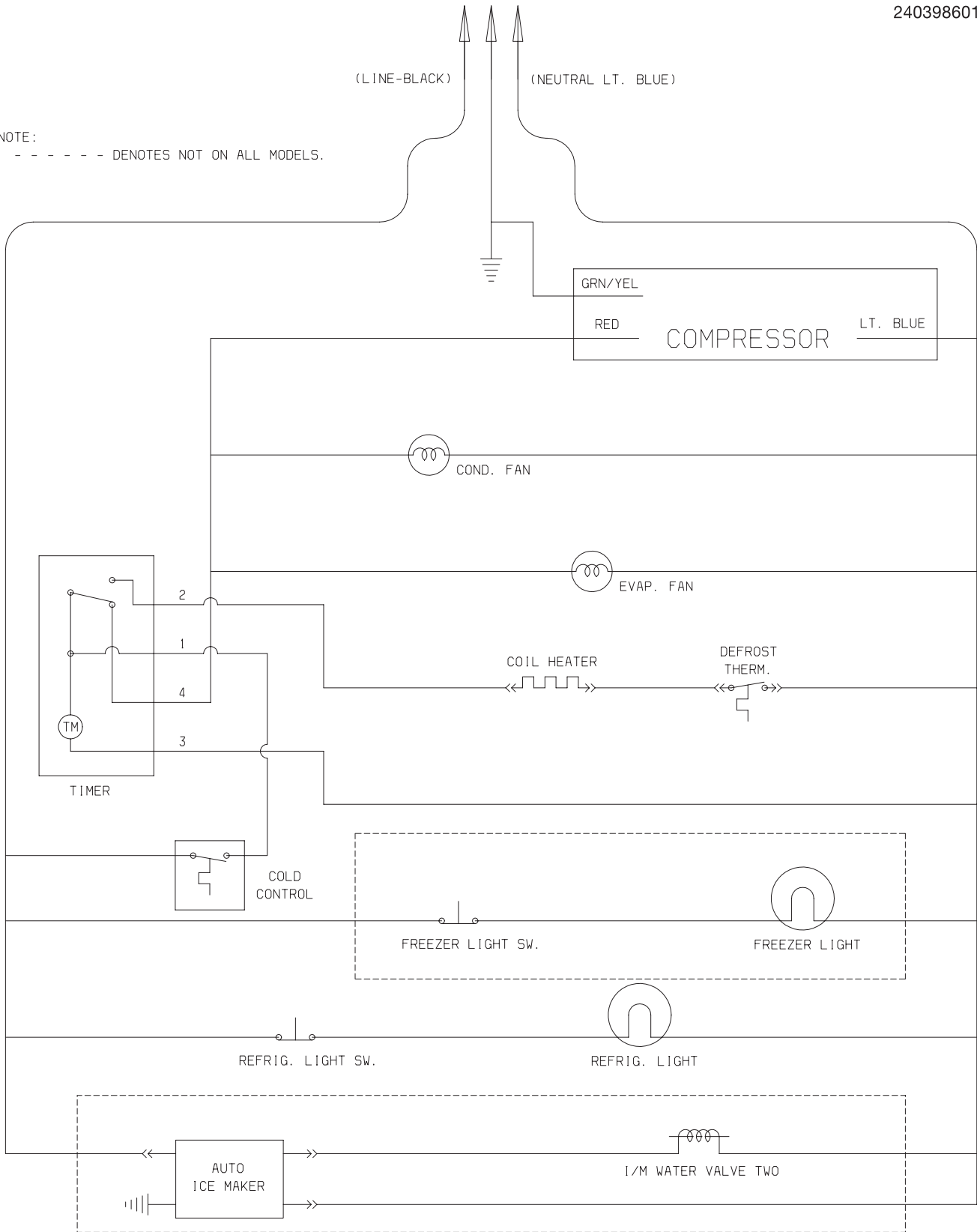
Model Index: A FRT8B5E (FRT8B5EQ0)
 B FRT8B5E (FRT8B5EW0)
 C FRT8B5E (FRT8B5EZ0)

| POS. NO | PART NO. | | DESCRIPTION |
|---------|------------|-------|---|
| 1 # | 240406408 | A B C | Condenser, static |
| 1* | 240405201 | A B C | Grommet, rubber, black, cond tube/wire |
| 1* | 5303208866 | A B C | Spacer, condenser tube, black |
| 2 | 5308000296 | A B C | Bracket, condenser mtg, (4) |
| 4 # | 218944001 | A B C | Drier-filter, R134a System |
| 6 # | 240581601 | A B C | Harness-wiring, machine compt |
| 6* | 241520701 | A B C | Harness-wiring, freezer |
| 6* # | 240388701 | A B C | Wiring Harness, control box |
| 6* # | 240581801 | A B C | Harness-wiring, compressor |
| 14 # | 5303918208 | A B C | Defrost Heater Kit |
| 15 # | 5303918274 | A B C | Evaporator Kit |
| 16 | 5308000110 | A B C | Strap-evap/heater, aluminum, (2) |
| 17 | 241551801 | A B C | Trough-drain |
| 20 | 241551901 | A B C | Insulation Block |
| 21 # | 5303918202 | A B C | Thermostat-defrost, kit |
| 22 | 241602001 | A B C | Base-compressor |
| 22* | 218252200 | A B C | Screw, #8 truss hd, 10-32CA x 0.500 |
| 23 | 218513300 | A B C | Grommet-compr mtg, (4) |
| 25 | 240491501 | A B C | Screw-compressor mtg, 1/4-28 x 1.16, shoulder, typ CF |
| 26 | 240598501 | A B C | Pan-defrost drain |
| 26* | 5304434992 | A B C | Thermal Mastic |
| 29 # | 5303918297 | A B C | Compressor, w/electricals |
| 30 # | 5304433579 | A B C | Relay |
| 31 # | 5304433578 | A B C | Overload Protector |
| 41 | 240433202 | A B C | Screw, hex washer head, 8-18 x 5/16 |
| 44 | 5303001199 | A B C | Clamp-wiring harness, strain relief, galv steel |
| 45 | 5308016566 | A B C | Screw, hex washer head, 8-15A x 0.625, low profile |
| 56 | 240582001 | A B C | Cover-terminal |
| 57 | 240542601 | A B C | Clip-wiring harness |
| 82 | 5304418225 | A B C | Roller, compressor base, rear, (2) |
| 83 | 5303316859 | A B C | Rivet, flat head, 1/4 OD x 1-3/4, roller pin |
| 84 | 241505701 | A B C | Tube-drain, lower |
| 85 | 241544301 | A B C | Tube-connector, suction |
| * | 240396801 | A B C | Clamp, tube/wiring, nylon, black/natural |
| * | 5303918263 | A B C | Heat Exchanger Kit, suction line |
| * # | 5303918234 | A B C | Hot Tube Repair Kit, service |

WIRING SCHEMATIC

240398601

NOTE:
- - - - - DENOTES NOT ON ALL MODELS.



WIRING DIAGRAM

