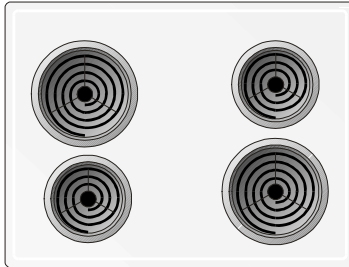


FACTORY PARTS CATALOG
DROP-IN

 **FRIGIDAIRE**



PRODUCT NO.	FACTORY NO.	COLOR	MARKET
FED300WCW3	37854310A5013	WHITE	U.S.A.
FED300WCW5	37854310A5015	WHITE	U.S.A.
FED300WCD3	37854310A5033	ALMOND	U.S.A.
FED300WCD5	37854310A5035	ALMOND	U.S.A.

WIRING DIAGRAM # - 318045000
OWNER'S GUIDE # - 318200805
TIMER INSTRUCTION GUIDE # - 318200104
INSTALLATION INSTR. # - 318064101

ELECTRIC - RANGE

 **FRIGIDAIRE**
HOME PRODUCTS

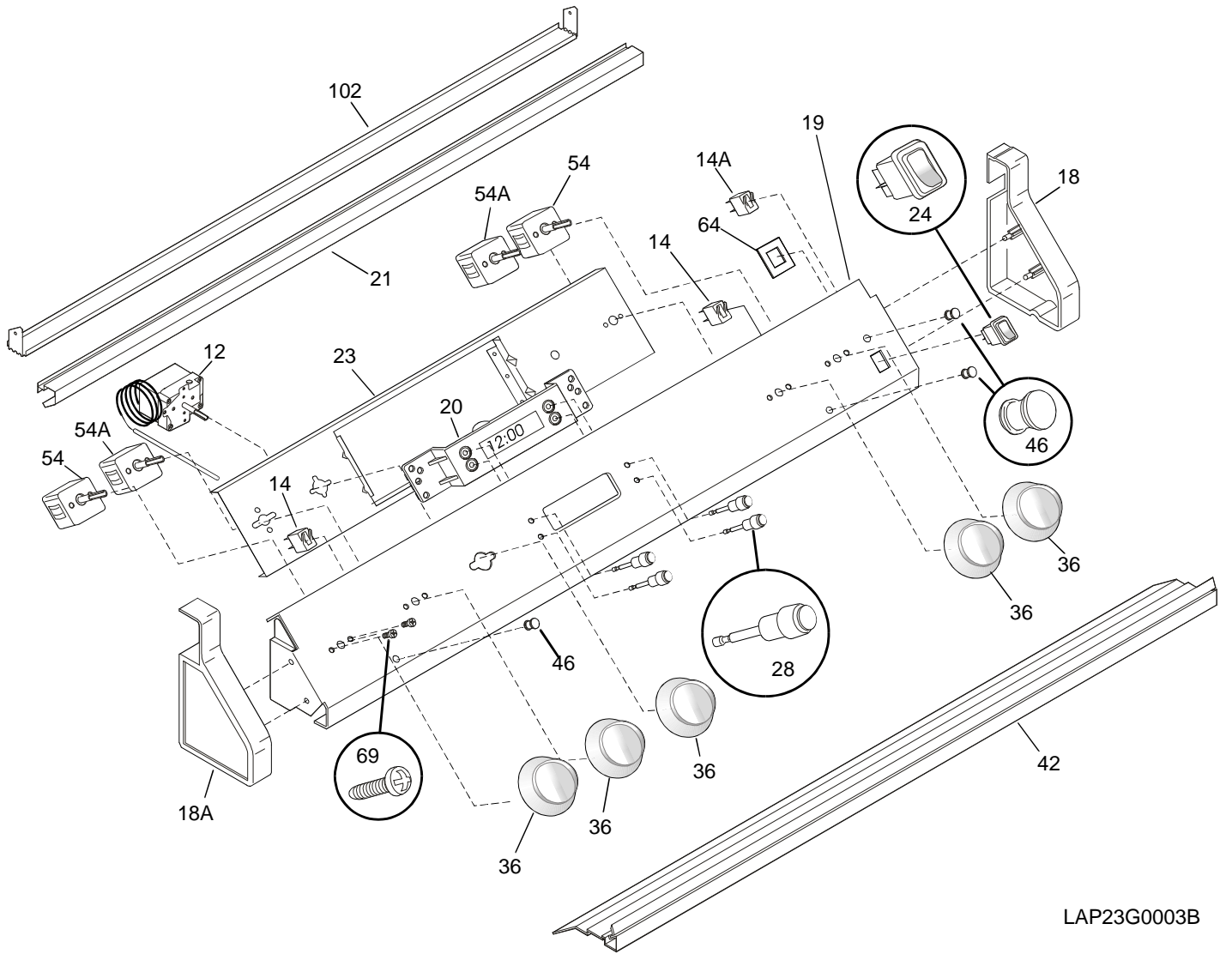
Model No.
FED300WC

FRIGIDAIRE HOME PRODUCTS
7075 ORDAN DRIVE
MISSISSAUGA, ONTARIO
CANADA, L5T 1K6
TEL: (905) 565-9200

Publication No.
5995315024

981118
-EN/SERVICE
377

©1998 White Consolidated Industries,
Inc.

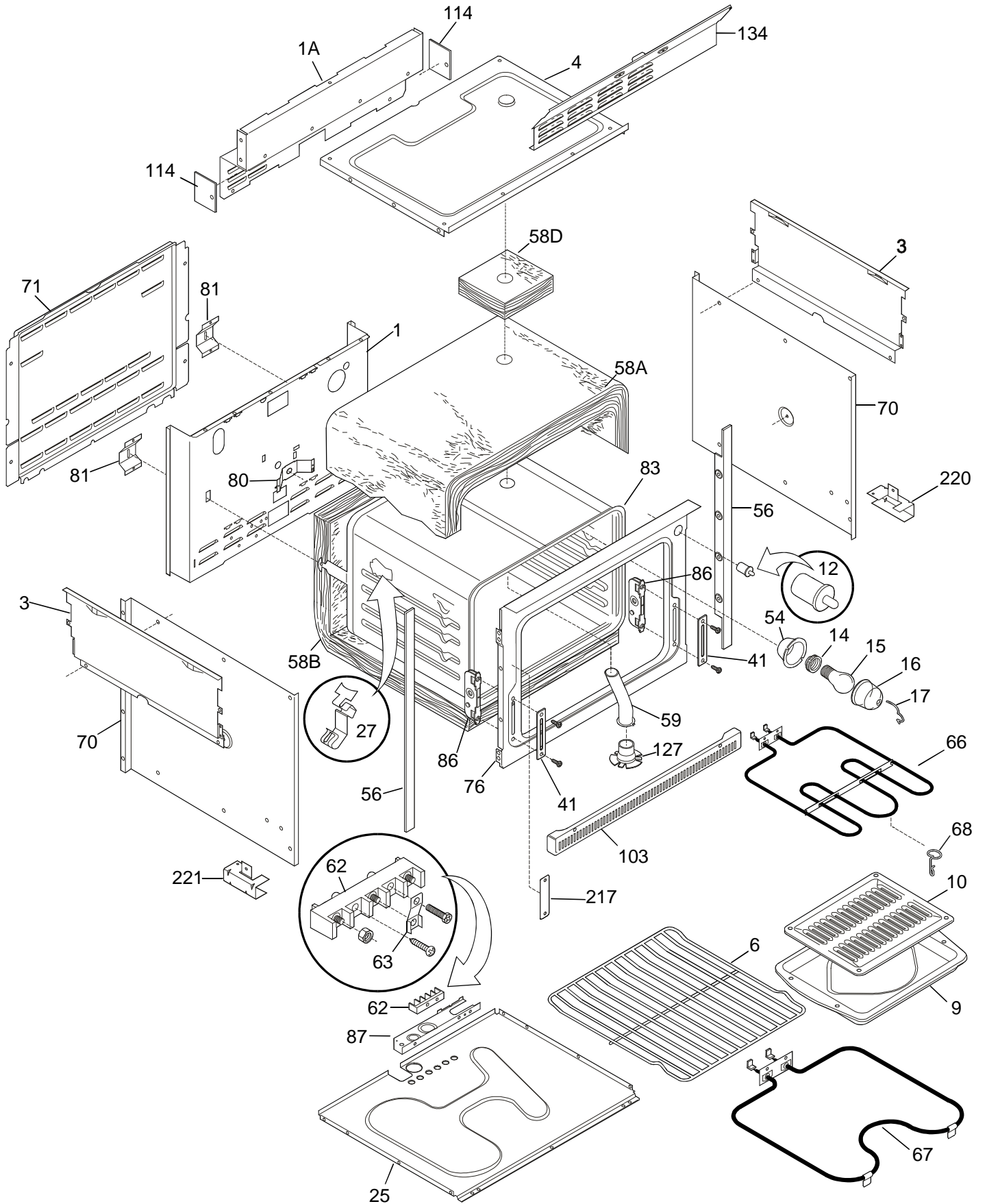


LAP23G0003B

BACKGUARD

A=FED300WCW (FED300WCW3)
B=FED300WCW (FED300WCW5)
C= FED300WCD (FED300WCD3)
D= FED300WCD (FED300WCD5)

POS. NO	PART NO		DESCRIPTION
12#	5303311369	A B C D	Thermostat-oven
14	5303051533	A B C D	Light/Lamp
14A	3051539	A B C D	Light-lamp-oven indicatrice
18	5303300160	A B C D	End Cap black RH
18A	5303300161	A B C D	End Cap black LH
19	5303311121	A B C D	Panel-control
20#	318012300	A C	Clock/Timer
20#	318011401	B D	Clock/Timer
21	318027800	A C	Trim-backguard
21	318027803	B D	Trim-backguard
23	318015001	A B C D	Bracket-clock mtg
24 #	316005602	A B C D	Switch-rocker
28	5303311122	A C	Knob-clock
28	5303272306	B D	Knob-clock
32	318016306	A B C D	Knob-thermostat
36	5303299751	A B C D	Knob surface unit. black
42	318106900	A C	Trim-vent black
42	318106903	B D	Trim-vent black
46	5308006417	A B C D	Lens-light/lamp
54 #	318120501	A B C D	Switch-surface unit
54A#	5303311186	A B C D	Switch-surface unit
64	318112200	A B C D	Plate
69	5303323134	A B C D	Screw mtg 8-32 X 3/16
102	318055600	A B C D	Bracket-mounting
*	5303323145	A B C D	Nut
*	08002868	A B C D	Screw, 10-24 X 1/2
*	08016432	A B C D	Screw, 8-18 X 3/8
*	5303211311	A B C D	Screw, #8 X 1/2
*	5303305528	A B C D	Screw, switch mtg

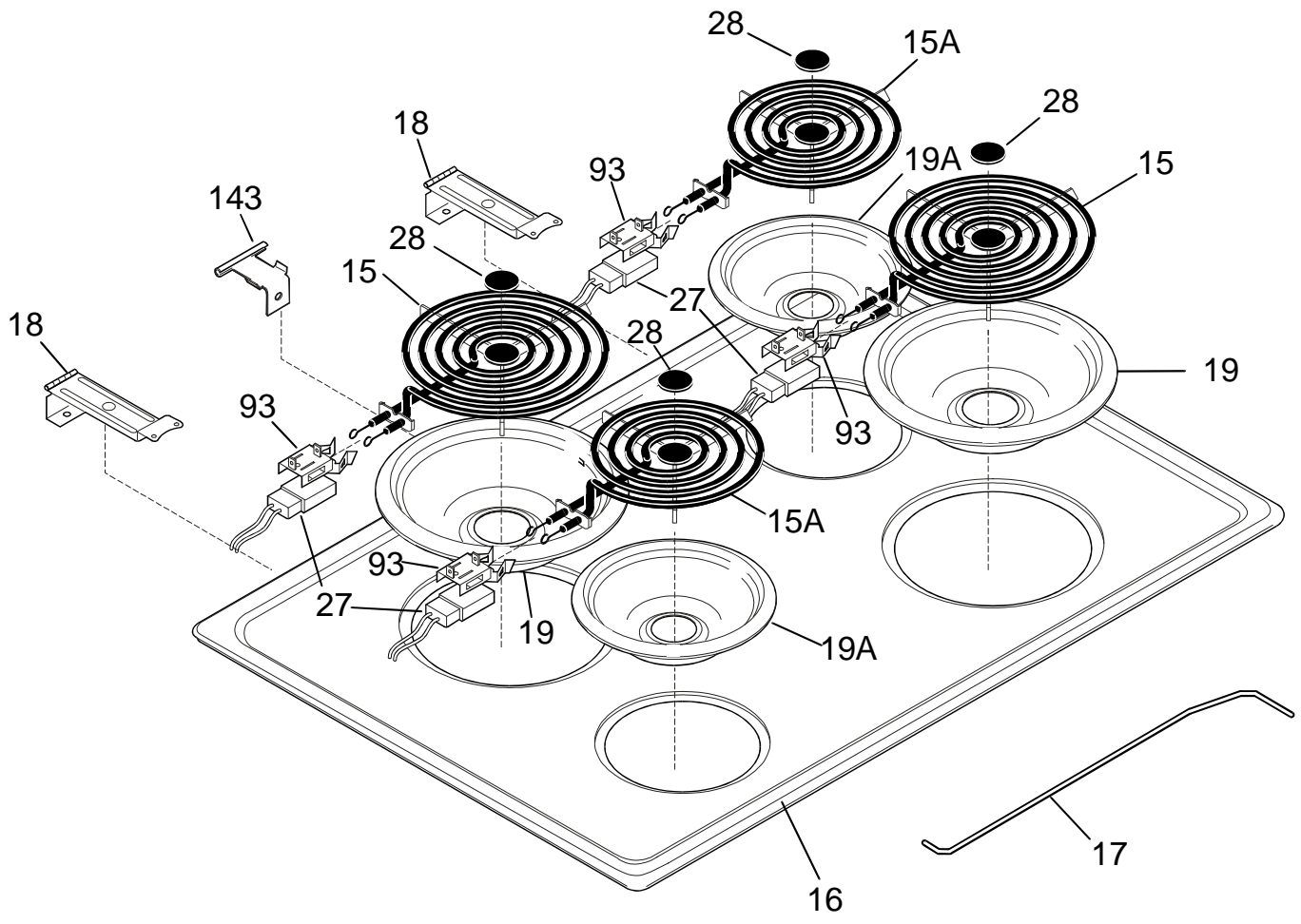


LAP23V005

BODY

A= FED300WCW (FED300WCW3)
B= FED300WCW (FED300WCW5)
C= FED300WCD (FED300WCD3)
D= FED300WCD (FED300WCD5)

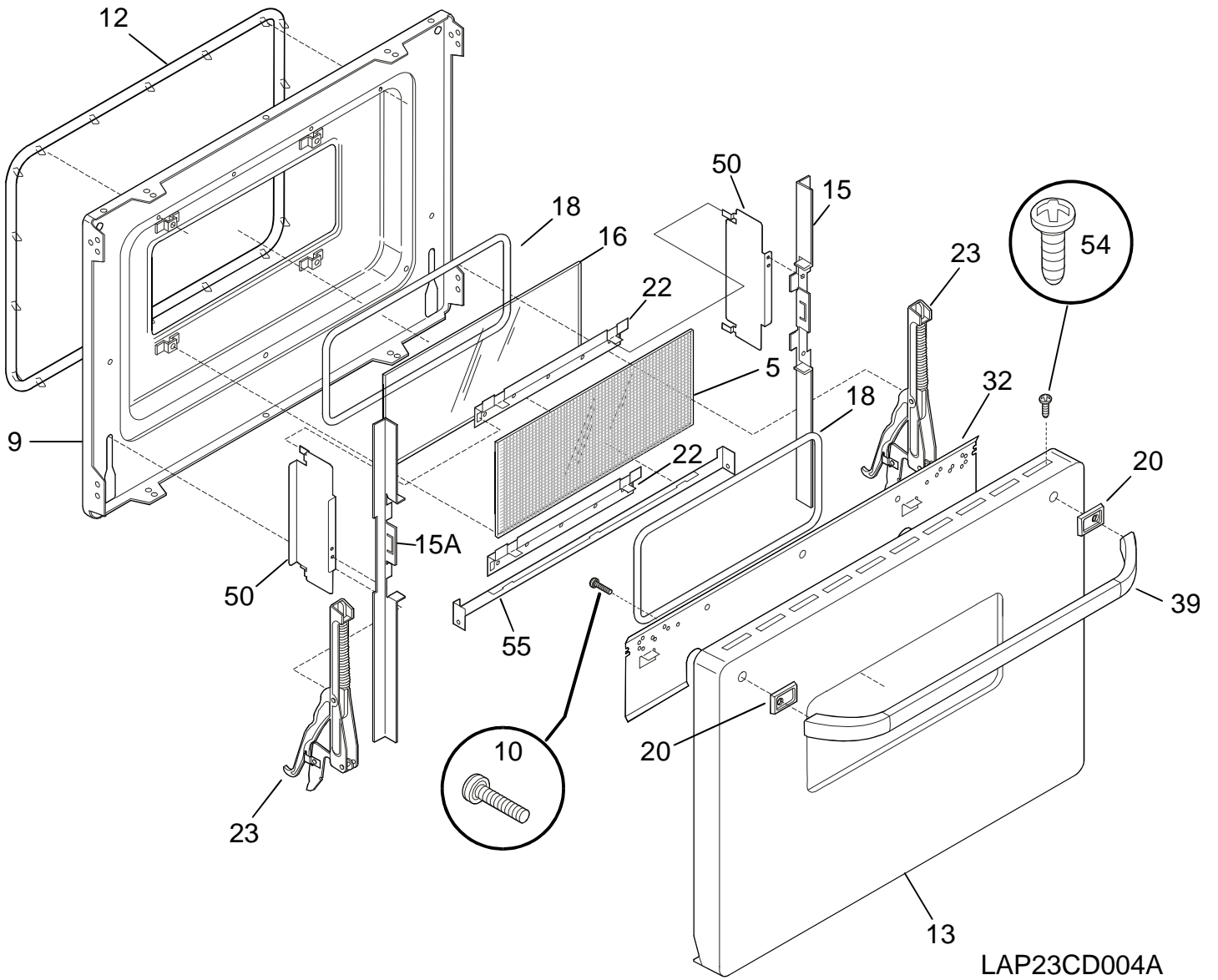
POS. NO	PART NO		DESCRIPTION
1	5303310527	A B C D	Back-main
1A	5303311161	A B C D	Panel-back
3	5303300143	A B C D	Panel-bodyside
4	318133400	A B C D	Burner box
6	5303310522	A B C D	Rack-oven
9	5303317977	A B C D	Pan-broiler
10	5303317976	A B C D	Insert-broiler pan
12 #	5301314211	A B C D	Switch-light
14	5308011085	A B C D	Socket-light/lamp
15	3201908	A B C D	Lamp-oven light
16	3201911	A B C D	Glass-oven light lens
17	5304400195	A B C D	Retainer-lens
25	5303311141	A B C D	Shield-heat
27	5303284616	A B C D	Clip-thermo bulb
41	5303310526	A B C D	Cover-hinge cutout
54	5303310514	A B C D	Housing-oven light
56	318002702	A B	Trim-oven front white
56	318002703	C D	Trim-oven front almond
58A	5303310519	A B C D	Insulation wrapper
58B	5303310516	A B C D	Insulation oven back
58D	3008673	A B C D	Insulation
59	5303311139	A B C D	Tube-oven vent
62 #	5303310518	A B C D	Terminal Block
63	5303310517	A B C D	Plate-ground strap
66 #	5303310513	A B C D	Element-broil
67 #	5303310512	A B C D	Element-bake
68	5304403015	A B C D	Support-element
70	5303300142	A B C D	Shield-insulation
71	5303310515	A B C D	Cover-wiring
76	318124101	A B C D	Front-oven
80	5303324473	A B C D	Bracket-oven
81	5303301261	A B C D	Spring-oven
83	318089600	A B C D	Liner-oven
86	5303310524	A B C D	Channel-hinge
87	318111800	A B C D	Plate-mounting
103	5303300213	A B	Trim-base
103	5303300214	C D	Trim-base
114	3051827	A B C D	Plate-filler
127	5303310542	A B C D	Adapter assy
134	5303319029	A B C D	Shield rear wall
217	316042301	A B C D	Warning plate
220	5304401475	A B C D	Bracket
221	5304401476	A B C D	Bracket
*	5303211311	A B C D	Screw #8 X ½



LAP23T0002A

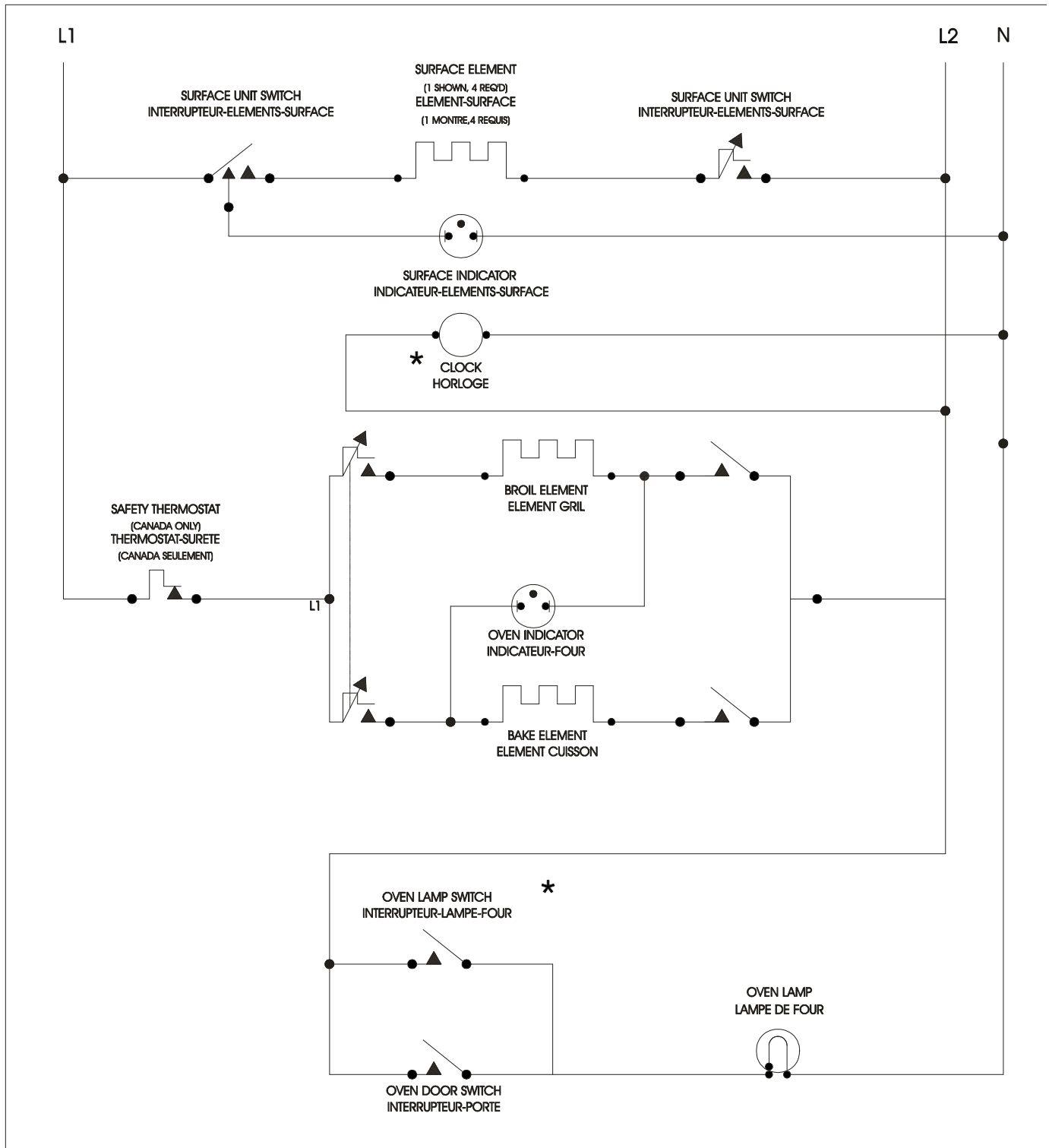
A= FED300WCW (FED300WCW3)
 B= FED300WCW (FED300WCW5)
 C= FED300WCD (FED300WCD3)
 D= FED300WCD (FED300WCD5)

POS. NO	PART NO		DESCRIPTION
15#	5303309001	A C	Element-surface 2600W
15#	5308011964	B D	Element-surface 2100W
15A#	5303309000	A C	Element-surface 1500W
15A#	5303299749	B D	Element-surface 1250W
16	5303300166	A B	Main Top white
16	5303300167	C D	Main Top almond
17	3051554	A B C D	Rod-maintop support
18	5303305530	A B C D	Bracket-hinge main top
19	318067010	A B C D	Pan-surface element
19A	5303280336	A B C D	Pan-surface element
27#	5303323704	A B C D	Terminal block
28	5303301461	A B C D	Medaillon surface element
93	318122500	A B C D	Support terminal block
143	5303300148	A B C D	Bracket hinge
*	5303211311	A B C D	Screw, #8 x 1/2
*	5303325174	A B C D	Cap screw



A= FED300WCW (FED300WCW3)
 B= FED300WCW (FED300WCW5)
 C= FED300WCD (FED300WCD3)
 D= FED300WCD (FED300WCD5)

POS. NO	PART NO		DESCRIPTION
5	5303310508	A B C D	Glass-oven door
9	318112910	A B C D	Liner-oven door
10	5303324305	A B C D	Screw handle
12	318053301	A B C D	Seal-oven door
13	318009026	A B	Panel-oven door, white
13	318009027	C D	Panel-oven door, almond
15	5303311136	A B C D	Bracket-glass mtg RH
15A	5303311137	A B C D	Bracket-glass mtg LH
16	5303310507	A B C D	Glass-oven door
18	5303310505	A B C D	Seal-rope
20	318014301	A B	Spacer handle, white
20	318014302	C D	Spacer handle, almond
22	5303310511	A B C D	Retainer-glass
23	5303310506	A B C D	Hinge
23*	3201899	A B C D	Washer
32	318057202	A B C D	Deflector-handle
39	316091119	A B	Handle-door white
39	316091120	C D	Handle-door almond
50	318144900	A B C D	Strenching glass
54	5303317175	A B	Screw 8-18 X 1/2 white
54	5303300265	C D	Screw 8-18 X 1/2
55	318122300	A B C D	Bracket-glass
*	5303307980	A B C D	Screw 8-32 X 7/16
*	5303211311	A B C D	Screw, #8 x 1/2
*	08016432	A B C D	Screw, 8-18 X 3/8



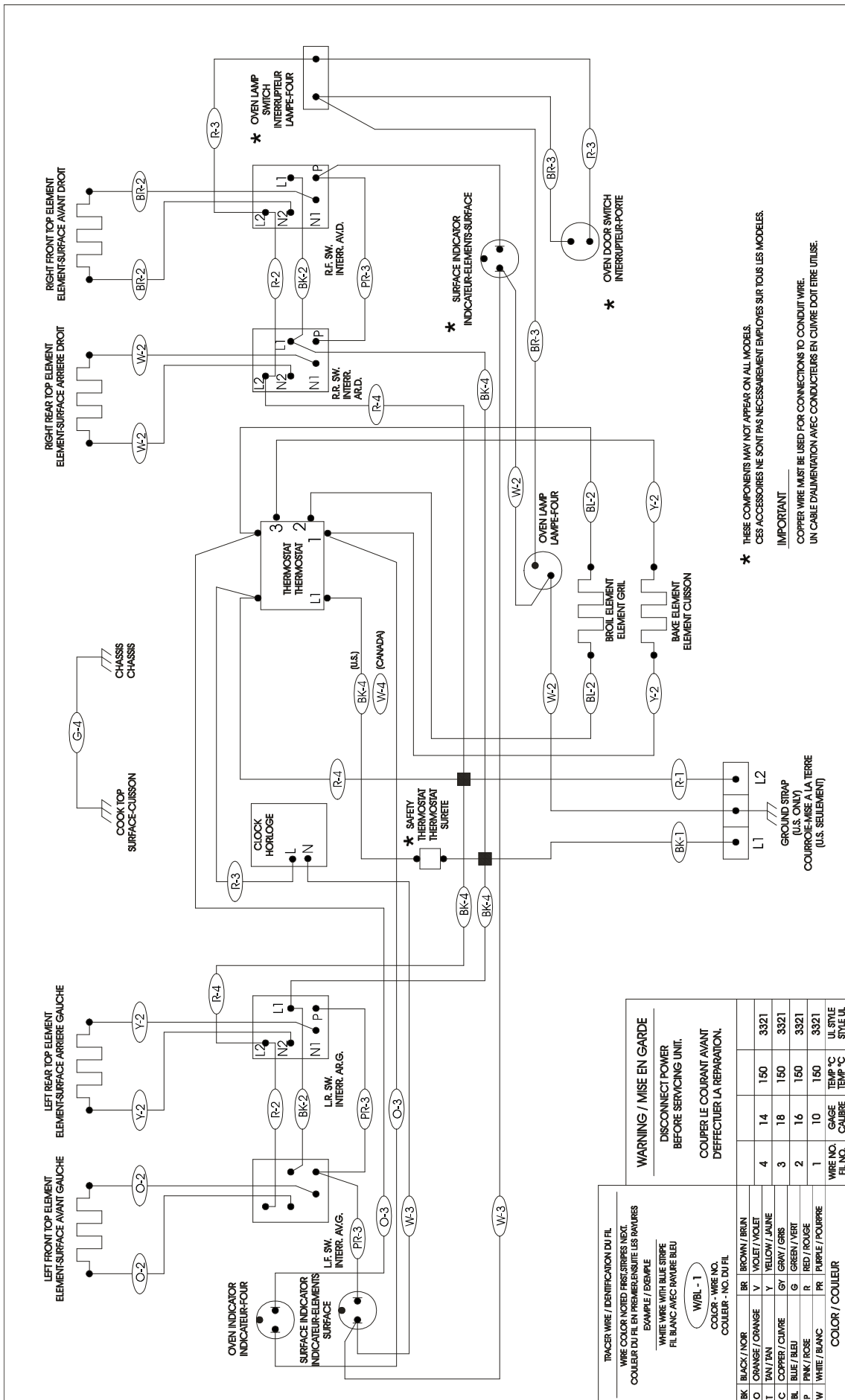
CONTACT CHART/JEU DES CONTACTS				
	L1-1	L1-2	L2-3	L2-4
BAKE (OVEN COLD) CUISSON (FOUR FROID)	X	X	X	X
BAKE (OVEN AT TEMP. SETTING) CUISSON (FOUR A TEMP. REGLEE)	CY	O	X	X
BROIL GRILLAGE	O	X	X	X
OFF ARRET	O	O	O	O

LEGEND/LEGENDE
O=OPEN/MARCHE X=CLOSE/ARRET CY=CYCLING/CYCLE

NOTES:

- 1- OVEN CONDITION: ALL CONTROLS SET TO "OFF".
OVEN DOOR CLOSED.
CONDITION-FOUR: TOUTES LES COMMANDES SONT EN POSITION "ARRET"
LA PORTE FERMEE.
- 2- * THESE COMPONENTS MAY NOT APPEAR ON ALL MODELS.
* CES ACCESSOIRES NE SONT PAS NECESSAIREMENT EMPLOYES
SUR TOUS LES MODELES.

318045000 REV: D



* THESE COMPONENTS MAY NOT APPEAR ON ALL MODELS.
CES ACCESSOIRES NE SONT PAS NECESSAIREMENT EMPLOYES SUR TOUS LES MODELES.
IMPORTANT
COPPER WIRE MUST BE USED FOR CONNECTIONS TO CONDUIT WIRE.
UN CABLE D'ALIMENTATION AVEC CONDUCTEURS EN CUIVRE DOIT ETRE UTILISE.

TRACER WIRE / IDENTIFICATION DU FIL		WARNING / MISE EN GARDE	
WIRE COLOR / COULEUR DU FIL	WIRE NO. / NO. DU FIL	DISCONNECT POWER BEFORE SERVICING UNIT.	
WIRE COLOR / COULEUR DU FIL	WIRE NO. / NO. DU FIL	COUPER LE COURANT AVANT D'EFECTUER LA REPARATION.	
BK / BLACK / NOIR	BR / BROWN / BRUN	4	14 150 3321
O / ORANGE / ORANGE	V / VIOLET / VIOLET	3	18 150 3321
T / TAN / TAN	Y / YELLOW / JAUNE	2	16 150 3321
C / COPPER / CUIVRE	G / GRAY / GRIS	1	10 150 3321
BL / BLUE / BLEU	W / WHITE / BLANC		
P / PINK / ROSE			
W / WHITE / BLANC			