



FIRENZO
WOODFIRES

Please read this booklet and keep for future reference for the safe installation and operation of your:

CONTESSA

Freestanding Clean Air Woodburner



All installations must be in accordance with these instructions. Consult with the building authority having jurisdiction to determine the need for a permit prior to commencing the installation. Failure to follow these instructions may also void your home insurance and warranty.

Please leave this manual with the owner when installation is complete.

Please complete and return your warranty registration card which is enclosed.

INDEX

Page No:	Item No:	Topic
3	1	Warnings
4	2	Installation Responsibilities
4	3	Floor Protector Requirements
5	4	Installation Clearances
6	5	Assembly Instructions
6		Fitting Seismic Restraints
7	6	Flue Installation
8		Minimum Height of Flue Exit
9/11	7	Operating Instructions
11	8	Door Glass
12	9	Cast Iron Tops
12	10	Maintenance
13	11	Safety
13/14	12	Warranty



Distributed by:

FIRENZO AUSTRALIA PTY

PO Box 4431, Dandenong South, Victoria 3164

Email: firenzo@firenzo.com.au

1. WARNINGS

THIS APPLIANCE SHOULD BE MAINTAINED AND OPERATED AT ALL TIMES IN ACCORDANCE WITH THESE INSTRUCTIONS.

The **Contessa** is tested to Australian and New Zealand Standards AS/NZS 2918:2001.

INCORRECT INSTALLATION OF THIS APPLIANCE MAY RESULT IN OVERHEATING OF HEAT SENSITIVE MATERIALS AND POSSIBLE FIRE. FOR YOUR SAFETY FOLLOW THE INSTALLATION INSTRUCTIONS CAREFULLY.

Do NOT connect the heater to a chimney serving another appliance.

The exterior of this appliance will reach extremely high temperatures and will burn if touched. Ensure that children or other vulnerable people or pets are prevented from touching an operating appliance by using a fire guard or fire screen.

Keep **ALL** heat-sensitive/combustible materials at least 600mm away from the front of the heater. This includes clothing, furniture, wood, newspaper, plastic, matches, etc.

Do not use flammable liquids or aerosols in the vicinity of this appliance when it is operating.

Use caution when reloading with fuel. Do NOT attempt to load fuel into the heater when the fire inside the stove is at or near its peak.

Do NOT burn large quantities of paper or combustible material that would create an extremely hot/quick fire.

Do NOT burn highly coloured paper or brochures (junk mail).

Dry, seasoned wood should be used at all times with a moisture content of less than 25% dry weight.

Do NOT use chemically treated timber or driftwood as fuel. The combustion of this material will void the warranty and greatly reduce the lifespan of the fire. The chemicals and/or salt content of this wood will cause rapid deterioration of the heater and emits harmful gases.

2. INSTALLATION RESPONSIBILITIES

WARNING: THE APPLIANCE AND FLUE SYSTEM SHALL BE INSTALLED IN ACCORDANCE WITH AS/NZ 2918:2001 AND THE APPROPRIATE REQUIREMENTS OF THE RELEVANT BUILDING CODE OR CODES.

DO NOT MODIFY THE APPLIANCE. ANY MODIFICATION OF THE APPLIANCE THAT HAS NOT BEEN APPROVED IN WRITING BY THE TESTING AUTHORITY IS CONSIDERED TO BE IN BREACH OF THE APPROVAL GRANTED FOR COMPLIANCE WITH AS/NZS 4012 & 4013.

CAUTION: MIXING OF APPLIANCE OR FLUE-SYSTEM COMPONENTS FROM DIFFERENT SOURCES OR MODIFYING THE DIMENSIONAL SPECIFICATION OF COMPONENTS MAY RESULT IN HAZARDOUS CONDITIONS.

Strict adherence to these instructions will meet these standards. Any variation from these installation instructions or any doubt about them must be checked against the requirements of the Australian and New Zealand Standards.

Any unfavourable outcomes that arise from tampering with the appliance will void any warranty claims.

3. FLOOR PROTECTOR REQUIREMENTS

According to AS/NZS 2918:2001

If the heater is to be placed on or within 500mm of a heat sensitive floor, an **insulated floor protector** with a minimum thickness of **40mm** is required consisting of a minimum of **20mm of Insulation board** (Micore 160, Supalux, Promatech H, Eterpan LD or product of similar thermal resistance) and tiles/slate or similar with sealed joints on top surface to protect from spilt ash/embers. The required size of the floor protector is displayed on **page 5**. The floor protector consists of a number of components, it shall include a continuous layer of heat-resistant material extending under the appliance to the perimeter of the floor protector. All joints shall be fixed to prevent accidental separation, and shall be sealed to prevent any spilt ash or embers contacting any heat sensitive material.

The leg base must be anchored to both the floor protector and the floor for seismic restraint. Anchor points are provided on the rear legs.

4. INSTALLATION CLEARANCES

FLUE SIZE		150mm
INTERNAL FIREBOX SIZE	HEIGHT	340mm
	WIDTH	460mm
	DEPTH	370mm



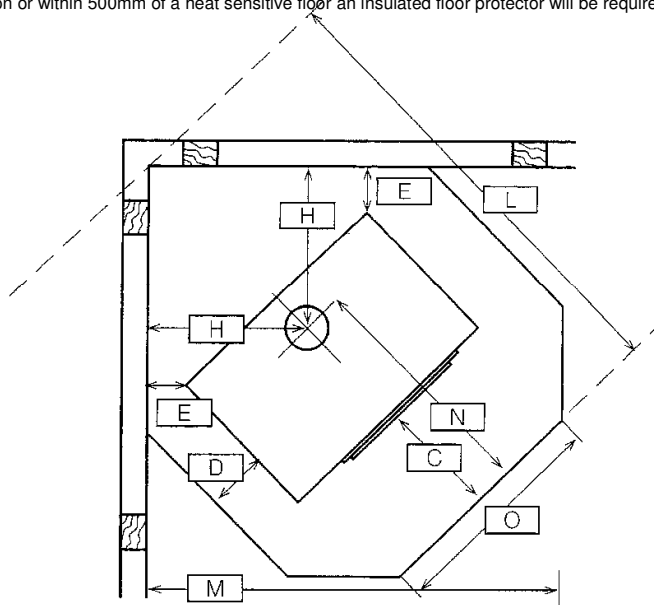
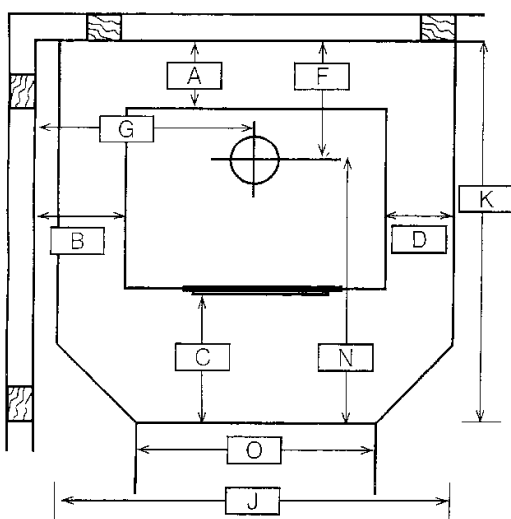
* A = 130mm, the distance from the centre of the flue to the back edge of the top casting.

HEATER MUST BE INSTALLED WITH A FLUE PIPE SHIELD														
CLEARANCES	A	B	C	D	E	F	G	H	J	K	L	M	N	O
	140	280	350	110	100	270	600	420	860	995	1320	1140	725	600

Measurements are from the edge of the top castings.

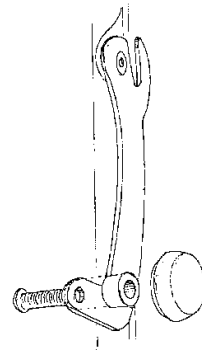
Clearances are in accordance with the requirements of AS/NZS 2918:2001

and are to a heat sensitive material. If the heater is to be placed on or within 500mm of a heat sensitive floor an insulated floor protector will be required (page 4).



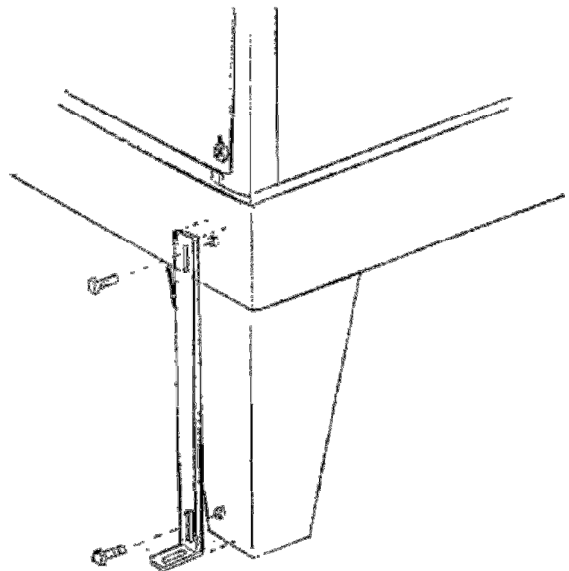
5. ASSEMBLY INSTRUCTIONS

1. Remove all packaging and timber.
2. Remove parts from inside the firebox.
3. Remove castings from under the fire
4. Position the fire onto the floor protector, using the necessary final clearances presented on Page 5.
5. At this point a hole in the ceiling to accommodate the flue may be cut and the liners installed.
6. Check the baffle bricks are fitted correctly. The front of the baffle bricks placed on the air tube in the top chamber and the back of the bricks pushed back as far as possible to the back of the top chamber and resting on the back wall bricks.
7. Replace the rear top casting and refit the front top casting ensuring it fits neatly onto the rope seal in the top channel.
8. A stainless steel circular 'shim' (a round device used to assist with sitting the flue pipe into the spigot on the rear top cast) is provided to use if required.
9. Assemble and fit flue as per instructions (page 7 & 8). A flue shield must be fitted.
10. Secure both the wood-burner and floor protector to the floor for seismic restraint as shown on page 6 (below).
11. Fit door knob. »»»»
12. Fit the control knob - place the flat on the knob to the flat on the air control shaft situated on the right handside of the fire. Press home firmly.



FITTING SEISMIC RESTRAINT BRACKETS ON CONTESSA

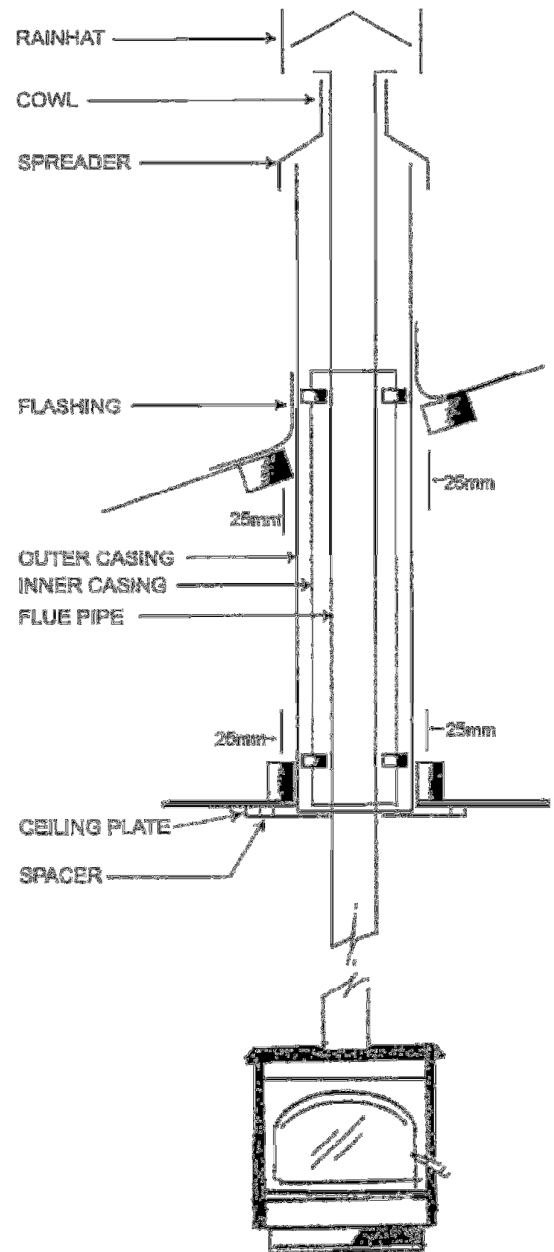
1. Place firebox with leg assembly on the floor protector and locate as per appropriate clearances.
2. Fit the restraint brackets.
3. Secure both the floor protector and the appliance to the floor using a suitable anchor.



6. FREESTANDING FLUE SYSTEM INSTALLATION INSTRUCTIONS

1. Position heater on floor protector ensuring all heater clearances are correct as per clearances on page 5.
2. Once the location is confirmed, the appliance and floor protector shall be fixed to the floor itself (refer to page 6 & 7).
3. Extend a plumb line from the centre of the fire flue pipe spigot to the ceiling. Mark position on ceiling and roof.
4. Trim hole and nog as required ensuring that a 25mm safe clearance between combustible materials and flue components is maintained. Fix with non-combustible spacers and screws or clouts on all four sides.
5. Cut and frame (when required) an opening in the roof, position the outer casing through the roof until it is flush with the under side of the ceiling, making sure as with the ceiling there is a 25mm safe clearance between non-combustible materials and the flue components. Fix as in step 4.
6. Fix appropriate flashing around outer casing to the roof to ensure a weatherproof seal.
7. Assemble flue pipe sections ensuring all seams are in line, the assembly is straight and crimped. Ends are pointing downwards. Fix each joint with three stainless rivets or self-tapping screws and seal.
8. Place ceiling plate with folded edges upwards over heater spigot.
9. Position the flue pipe into the heater spigot. The flue pipe can either be lowered from the top as a single unit or fed up from the room a length at a time, ensuring that all joints are fixed properly.
10. Slide the inner casing into place, between the outer casing and the flue pipe.
11. The flue pipe must extend 200mm above the outer casing. Note: Extra lengths of flue pipe, inner and outer casing may be required to achieve the minimum clearance from the roof.
12. Slide top spreader over flue pipe down into outer and inner casing and tighten.
13. Slide cowl over flue pipe until it rests on spreader. Secure with rivets or self-tapping screws.
14. Fit rainhat. Do not fasten as it must be removable for flue pipe cleaning.
15. Fix ceiling plate to ceiling maintaining an even gap all around the flue pipe.

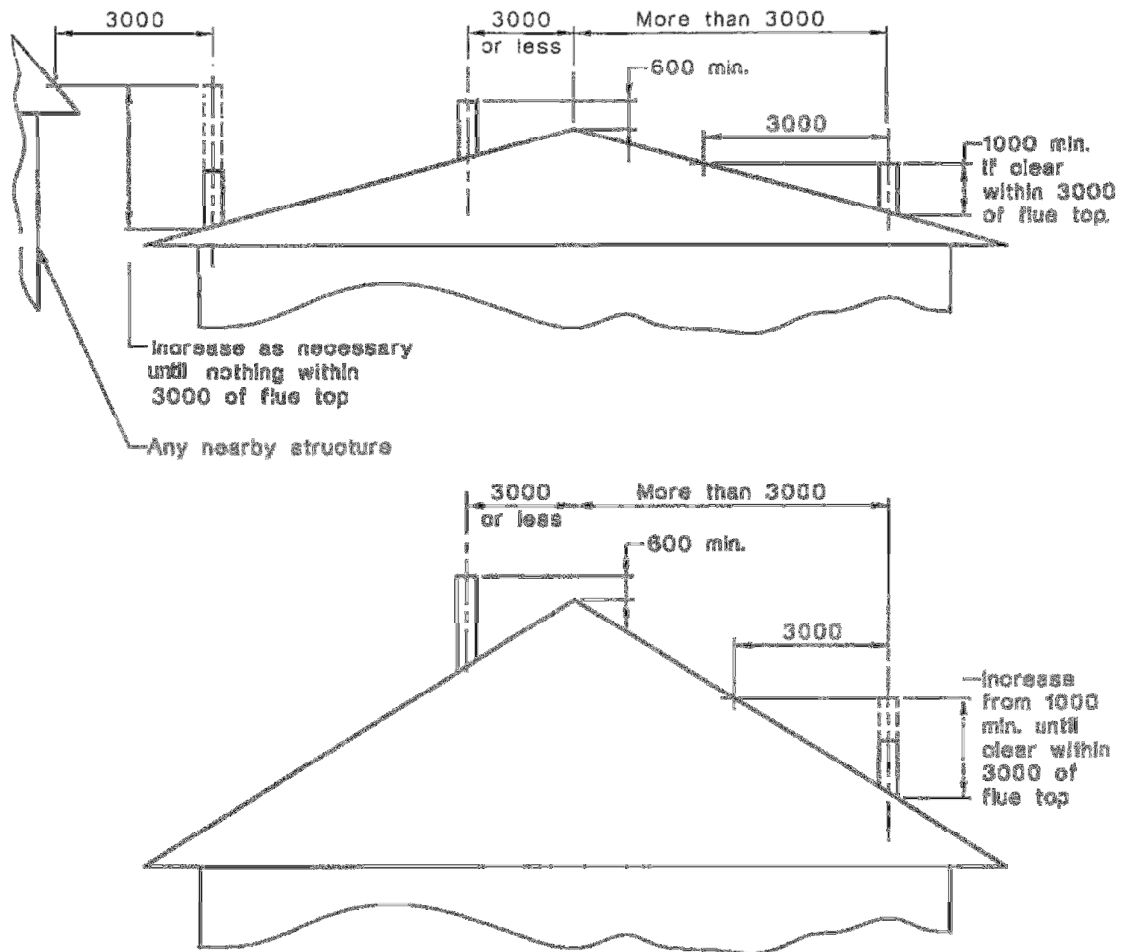
Note: Ensure ceiling plate is spaced off from the ceiling with ceramic spacers supplied.



CAUTION: Mixing of appliance or flue system components from different sources or modifying the dimensional specifications of components may result in hazardous conditions. Where such action is considered the manufacturer should be consulted in the first instance.

WARNING: The appliance and flue system shall be installed in accordance with AS/NZS 2918:2001 and the appropriate requirements of the relevant building code or codes.

MINIMUM HEIGHT OF FLUE SYSTEM OUTLET



DIMENSIONS IN MILLIMETRES

NOTES:

1. The flue pipe shall extend not less than 4.6m above the top of the floor protector.
2. The flue cowl must be at least 600mm above the highest point of the roof if within 3 metres of it, or 1 metre above the roof penetration if more than 3 metres from the ridge.
3. No part of the building, or any adjacent building may be in or above a circular area of a horizontal radius of 3 metres from the flue exit.

7. OPERATING INSTRUCTIONS

PLEASE READ THIS BOOK FULLY AND KEEP IN A SAFE PLACE.

This appliance has TWO air controls:

1. MAIN AIR CONTROL - Located at the top right side of the appliance the Main Air control controls the running temperature of the fire during normal use. Turning the Main Air Control knob in small increments will determine the level of heat output the operator is comfortable with.

2. AIR BOOSTER - Located at the lower right hand side of the appliance the Air Booster provides quick and efficient ignition and combustion at the start of the fire process and at reloading.

FIRST BURN

On the **INITIAL LIGHTING** only, the high temperature paint finishes used on your heater will give off smoke and odour for several hours. As this is a temporary condition, open doors and windows to give adequate ventilation until passed.

1. Turn the air control knob to 'HI'. Turn the knob away from you (clockwise) for the 'HI' position. Fully open (knob pulled out) the Booster Air Supply located at the bottom front of the right hand side panel.

2. Prepare fire by placing crumpled paper in middle of firebox. Do not use a grate, or elevate fire. Build fire directly on floor of firebox.

2. Arrange dry kindling in "tepee" style with larger pieces standing up on each side. Ignite paper leaving door ajar until kindling is alight then close the door.

3. A vigorous fire is required; reload with larger wood when vigorous flaming of the kindling is achieved and embers begin to appear,

4. Open door carefully and place small pieces, then larger logs on top always maintaining a vigorous fire. Do not overload and smother the flames.

5. Close the door and leave Main Air and Booster Air controls on 'HI' until the fire is burning well and a good ember bed has formed.

6. When a good fire is established adjust the Main Air control to a position that suits the operator's comfort, adjust the Main Air Control in small increments to reach the desirable temperature. **DO NOT IMMEDIATELY SHUT THE HEATER TO 'LO'**. Remember to close the air control gradually to your desired level of heat output. It is better to take 3-4 adjustments to get to the low setting (extended burn). **Close the Booster Air Control.**

Always ensure a good burn is established otherwise the fire will smoulder and smoke will build up which could result in a flash back or back fire where the smokes ignites.

RELOADING

WARNING: IT IS NECESSARY TO MOVE BOTH AIR CONTROLS TO 'HI' BEFORE OPENING THE DOOR.

Never open the door when a vigorous fire is in progress. Wait until the flames have subsided and the fire is stable. Reload with dry logs.

Leave the air control on the 'Hi' position until the flames begin to subside. This shows that the initial wood gases have been driven off and the heater will be able to maintain an even burning rate. Close the Booster Air Supply when the fire is burning well and a good ember bed has formed.

Normally a light load of fuel will stabilize quickly but a full load will take longer. When a good fire is established adjust the Main Air control to a position that suits the operator's comfort, adjust the Main Air Control in small increments to reach the desirable temperature.

RE-LOADING AFTER AN EXTENDED BURN TIME

WARNING: IT IS NECESSARY TO MOVE BOTH AIR CONTROLS TO 'HI' BEFORE OPENING THE DOOR.

At the end of an extended burn, when the fire is almost extinguished and has very few embers it is imperative that the fire is built up again and a good flame re-established. Re-establish the fire by adding a few small split logs and adjusting the Main Air and Booster Air Supply controls to 'Hi'. Allow the firebox temperature to build up before adding the balance of the fuel. Close the Booster Air control when the fire is well established. When a good fire is established adjust the Main Air control to a position that suits the operator's comfort, adjust the Main Air Control in small increments to reach the desirable temperature.

The addition of large quantities of cold fuel to a low fire will reduce the firebox temperature dramatically and this may result in 'losing' the fire.

Always ensure a good burn is established otherwise the fire will smoulder and smoke will build up which could result in a flash back or back fire where the smokes ignites.

FUEL

Please also read "WARNINGS" on page 3.

Dry, seasoned wood should be used at all times with a moisture content of less than 25% dry weight. Use only wood that has been air dried in a sheltered, well ventilated stack, preferably for at least 12 months.

Do **NOT** burn wood treated with preservatives or impregnated with chemicals or glue; chipboard, particle board or laminated board; wood that has been painted, stained or oiled.

Do NOT burn plastic, household refuse or driftwood such actions will void the warranty and reduce the appliance's life span.

The heat output level on the heater is controlled not only by the Air Control but also by the type and quantity of fuel in the firebox. Using the proper fuel means the appliance will run correctly **GOOD FUEL IN = GOOD HEAT OUT**

A fully loaded firebox set to 'High' will produce far more heat than an almost empty heater set at the same position. Remember, you only get out of any heater what you put into it. The better the fuel, the better the heater.

STORAGE OF FUEL

WARNING: DO NOT STORE FUEL WITHIN HEATER INSTALLATION CLEARANCES.

Use only wood that has been air dried in a sheltered well ventilated stack, preferably for at least 12 months. Drying wood gives off a lot of water. To prevent rot and speed drying, you should provide good air circulation around the woodpile. Use a few boards to keep your wood level and off the ground. Cover wood so it is waterproof but make sure you let the sides breathe. Open-sided sheds offer an ideal way to store wood and keep it dry.

FLAMMABLE LIQUIDS

WARNING: DO NOT USE FLAMMABLE LIQUIDS E.G. GASOLINE-TYPE FUEL, KEROSENE, CHARCOAL LIGHTER FUEL, ETC OR AEROSOLS TO START OR REKINDLE THE FIRE.

CLEANING THE ASHES FROM THE FIRE

A LAYER OF ASH AT LEAST 25MM DEEP SHOULD ALWAYS BE LEFT IN THE BOTTOM OF THE HEATER TO PROTECT THE REFRACTORY LININGS (BRICKS) ON THE BASE OF THE FIREBOX.

Disposal of Ashes

Warning: Ashes can stay hot for five days or more

Shovel Ashes into a metal container with a tight fitting lid. The closed container of ashes should be placed on a non-combustible floor or on the ground, well away from all combustible materials, pending final disposal. If the ashes are disposed of by burial in soil or otherwise locally dispersed, they should be retained in the closed container until all cinders have thoroughly cooled.

Do not remove hot ashes by vacuum cleaner

8. DOOR GLASS

CAUTION: THIS APPLIANCE MUST NOT BE OPERATED WITH A CRACKED OR BROKEN GLASS.

The Contessa is equipped with a self-cleaning glass air wash system. A discolouration can form after a long 'low' burn, burn on 'HI' until clear.

Oven cleaner can be used for removal of heavy build-up. Do NOT clean the glass while hot.

If a replacement of glass is required, only Firenzo Robax high heat and impact resistant ceramic glass is able to be used. Insulating material including all seals for the glass need to be replaced at this time also. Without the insulation seal tape in place, the glass is likely to shatter. Your Firenzo agent will be able to supply and install any spare parts.

The Dome nuts on the outside of the door retain the glass and should be little more than finger tight.

9. CAST IRON TOPS

The cast iron tops are split into two parts. The front cast is removable for easy cleaning maintenance.

The cast iron provides a store of steady even radiant heat for the home and the tops can be used for cooking. Cast iron cookware is excellent for use on these tops. If using an ordinary pot or copper bottomed saucepan, you may use a trivet to create an air space. This will ensure that food will not be burned to the bottom of your pot.

Do not clean the tops with abrasives. When cool, wipe with a clean damp cloth, rubbery sponges are not recommended.

If repainting is warranted we recommend the use of 'Stovebright' Hi Temp Metallic black paint.

Instructions: Remove cast and take outside, wire brush down, spray with recommended paint 'Stovebright' Hi Temp Metallic black paint.

10. MAINTENANCE

NEVER ATTEMPT ANY MAINTENANCE WHILE THE APPLIANCE IS HOT

1. SECONDARY CHAMBER

The baffles (horizontal bricks in the ceiling of firebox) are critical to the heaters performance. They should be checked annually during flue cleaning and replaced if signs of deterioration are evident. Removal of the baffles renders the Warranty void.

1. Lift the front cast top plate from the unit and remove.
2. Remove any soot and creosote build-up from the secondary chamber.
3. Care must be taken when cleaning this area not to damage internal refractory linings.
4. Check condition of baffles.
5. Ensure all rope seals are intact and replace if necessary ensure when replacing that cast sits correctly on seals
6. Replace cast top.

2. FLUE

Creosote is a build-up of particles and condensation on the inside of any closed solid fuel heater that is caused by *burning wet fuel*. Creosote and soot left to build up can cause decreased heat performance and flue fires. Your heating retailer or local reputable chimney sweep will be able to assist with flue cleaning. Before commencing the flue clean it is best to remove the baffle bricks to avoid breakages. To do this, first lift off the front cast top (take care it will be heavy and dirty underneath), remove the baffle bricks. Once cleaning has been completed replace the baffle bricks. The front of the baffle bricks placed on top of the air tube in the top chamber and the back of the bricks are

pushed back as far as possible to the back of the top chamber and resting on the back wall bricks.

3. DOOR HANDLE AND HINGES

Light lubrication is recommended once a year before the first autumn burn. Use a little GRAPHITE grease, available from any hardware outlet.

4. PAINTWORK

If any scratches or surface marks have appeared on the cast iron top, use 'Stovebright' satin black or a Hi Temp satin black paint to retouch, taking note of the manufacturer's instructions for spraying. Never spray a hot fire.

Powder coated finishes use a special heat resistant material and are susceptible to scratches. Do not use abrasive cleaners. To clean powder coated finishes use only a clean damp cloth and allow to dry. **Do not clean when the fire is in use.**

11. SAFETY

All surfaces on the Contessa will get hot and cause burning if touched. We recommend using a fireguard.

The flue must be cleaned regularly (see page 14) to avoid flue fires. In such an event, close the Booster and Main Air controls. Do NOT open door. Remove combustible items from near the heater and flue.

12. WARRANTY

Firenzo woodfires are fully guaranteed against defects in materials and workmanship for a period of TEN YEARS from date of purchase for the steel firebox, top castings, cast door and insert fascias. All other parts eg. metal doors, kiln bricks, door glass, seals, air supply components, paint finishes, wetbacks etc are covered for ONE year.

Subject to the following conditions:

- a) Provided the terms of payment are promptly complied with Firenzo Australia Pty undertakes with the original purchaser to remedy with reasonable despatch any defects for poor performance of the heater due to faulty workmanship or materials and or circumstances which would render the heater parts or accessories unfit for normal use, provided that the heater has been installed, inspected, operated and maintained with the manufacturer's instructions and the terms of this warranty.
- b) Firenzo Australia Pty will provide free labour and replacement of any parts covered by this warranty or the entire heater at its option after receiving a fully completed Firenzo Australia Pty warranty claim form (available from stockists nationwide). Firenzo Australia Pty must be satisfied that the heater in question

was properly installed and that the heater is defective and they have been given the opportunity to rectify the defect.

c) The purchaser will be responsible for paying any service call fees or transport charges on and damages and loss incurred in connection with the transportation of the heater parts or accessories to and from Firenzo Australia Pty or its accredited agents.

d) This warranty does not apply and Firenzo Australia Pty shall have no obligation in respect to any heater part or accessory which has:

1. Been subject to misuse, neglect, or accident in transit, storage or use.
2. Not been inspected for proper installation.
3. Not been operated or maintained in accordance with the manufacturers printed instructions.
4. Been damaged through water, including any surface rust which may occur in transit or storage and excluding such damage caused by leakage if so proven to be faulty materials or workmanship on behalf of Firenzo Australia Pty.
5. Been damaged due to normal wear and tear.

e) This warranty is expressly in lieu of all other warranties, expressed or implied including the warranties of merchantability and fitness for a particular purpose other than the warranties conferred by Firenzo Australia Pty, who neither assumes nor authorises anyone else to assume their liability in connection with the sale of the stove or any other parts or accessories therefore.

i) Any claim under this warranty should be submitted first to the dealer from whom the stove was purchased. In such cases where the dealer cannot be located, the fully completed warranty claim form should be mailed to Firenzo Australia Pty.

j) Notwithstanding the warranty and undertakings above, Firenzo Australia Pty shall not be liable in any way whatsoever for consequential loss of any kind.

Please complete for your future reference:

Serial No: _____

Date of Purchase: _____

Purchased from: _____

