

*e*TROSS

---

**GSM FWT-Etross 8818**  
(FIXED WIRELESS TERMINAL)

**USER'S MANUAL**



Etross Copyright @ Printed for 2008–2009 4<sup>th</sup> edition

# eTROSS

---

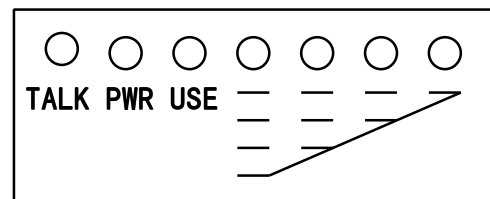
## 1、DESCRIPTION

Etross-8818G GSM is a Fixed Wireless Terminal designed to provide better wireless connectivity between POTS (plain old telephone set) and existing GSM 900/1800Mhz network with high sensitivity to receive signal and large transmitting power to expand extensively the effective coverage of GSM service. It can be used not only in communication for vehicles such as automobiles, trains, floating vehicles, etc., but also in communication for construction sites, isolated islands and rural areas where hardwire-line telephone service is unavailable. So they are widely used in home & office, public phone, rural areas, steamer, railway etc.

***Etross 8818G fwt---a solution for expanding GSM service coverage!***



Front View

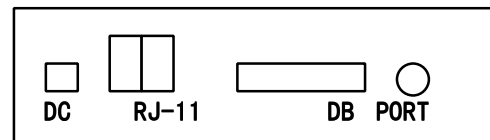


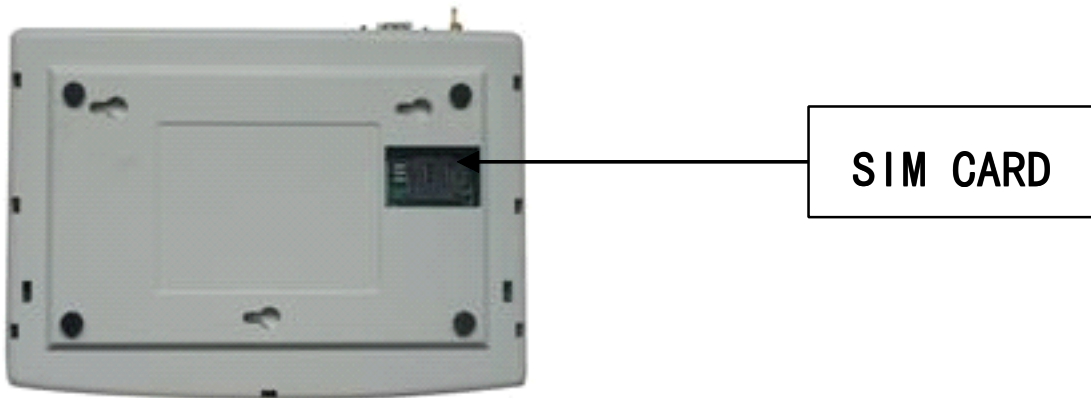
LED Indicator



ANT

Back View





Bottom View

## 2、LEDS INDICATOR INSTRUCTIONS

No.1-4 (From Right to Left), Signal strength indication.

No.5, Working status Indication: In Use or not use.

No.6, Power On/off indication.

No.7, Talk indication (green light)

\* When the system startup, the green light will light on about 30seconds then off, it enter work status.

\*When the ring back, the green light will flash until you pick up .

\*when in communication, the green light will be always on.(reversal polarity)

\*when not check SIM card, then the green light will be always flash, you should check the SIM card Installation.

\*when the system hang(Dead), the green light will be always on, you should re-power on.

### 3、 MAIN FUNCTION &FEATURES

- Simple to install and easy to maintain
- Steady module & reliable design ensures good performance
- Provide optimized circuit directly connecting the exchange device for extensions
- Compatible to most telephones, PBX & VoIP gateways and Alarm System
- Strong signals with high gain antenna
- Attractive Plastic casing
- SIM card support(3V,5V)
- Caller ID Display
- Provide reversal polarity signal for metering
- No noise &Clear voice
- Suitable for wide voltage range &Low power consumption
- Suitable for all kinds of weather & environment
- RJ-11 ports (two extensions line /phone and line (optional) )
- Locking PIN/ Network (optional)
- Two extension lines allowed or Wireless to wire (connection to PSTN) (Optional)

### 4、 SPECIFICATION

1.Air Interface Standard: GSM 900/1800 MHz Phase 2+

2.Frequency Ranges:

	Transmission	Reception
GSM 900	890~915MHz	935~960MHz
GSM 1800	1710~1785MHz	1805~1880MHz

3.Channel Space: 200KHz

4.User line, bell signal : In line with GB/T15279

5.Max Power:0.25W/0.5W

6.Consume : Immobility $\leq$ 25MA,Transmission  $\leq$ 400MA

7.Sensitivity : -105db

# eTROSS

---

8. Dialtone frequency: 450Mhz (Standard)
9. Surrounding Temperature:  $-10^{\circ}\text{C} \sim +40^{\circ}\text{C}$  Relative humidity: 45%  
 $\sim 90\%$  (Without frost)
10. Atmosphere Pressure:  $86 \sim 106\text{Kpa}$
11. Environment Noise :  $< 60\text{db}$
12. Antenna Amplifying: 3.5db(omni directional)、12db(certain direction  
/chosen direction )
13. AC Power: DC10V—20V  
Input: (AC100-230V,50/60Hz) Output: (12V 1A) Switching type  
/Transformer type Ac-adapter( optional)
14. Connector of Power: China
15. Dimensions(L×W×H) Average : $185 \times 135 \times 22$  (mm)
16. Weight : FWT 400g, full set with ac-adapter & antenna & box 850g
17. Color: White / blue(Optional)
18. Connection Mode: RJ-11 phone sockets
19. Antenna Connection: SMA Antenna Connection.

## 5、 APPLICATION

- For public use as payphones;
- For Office & Home use;
- For rural and mountainous area;
- For mobile carriage, like ship, automobile and train etc.;
- For those where hardwire-line telephone service is unavailable.

## 6、 INSTALLATION AND CONNECTION MODE

### 1).Antenna

Connect the head of GSM antenna to the head of antenna of the back of

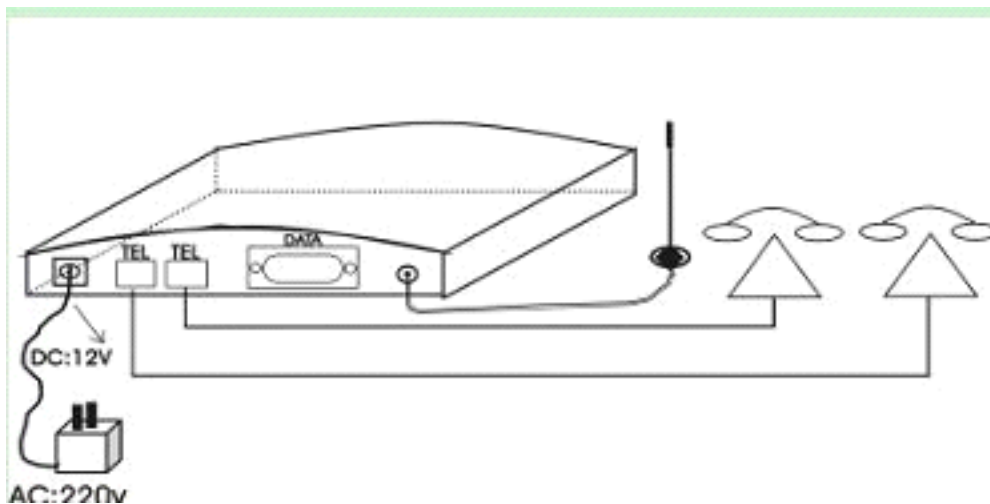
the Fixed Wireless Terminal.

## 2).SIM Card

2.1 Open the bottom cover of fixed wireless terminal;

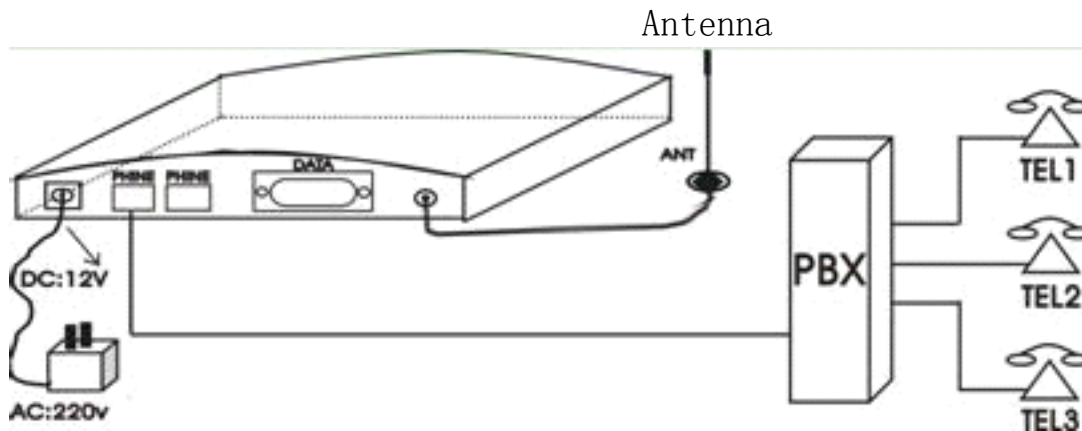
2.2 Plug SIM Card into the SIM card holder of PCB board, then fix the cover;

## 3).Connection to Ordinary Telephone set.



With one of Wire (the telephone line with crystal head) to telephone , and another side to TEL1 □ or TEL2 □ on the back of the terminal,

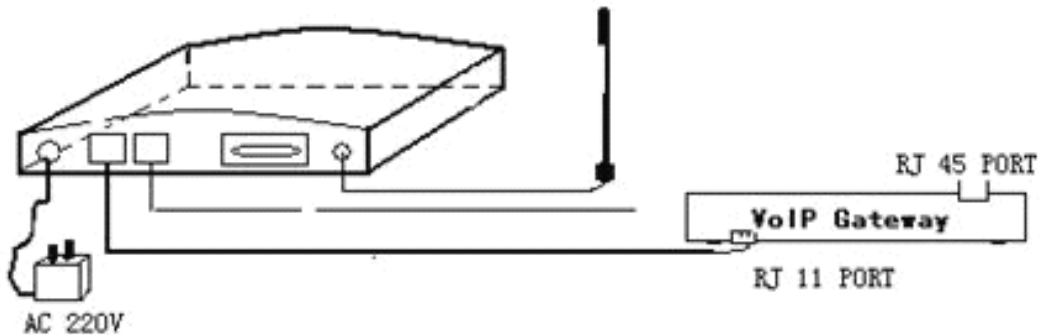
## 4).Connection to PBX for call extensions



With one end of the wire (the telephone line with crystal head) to the socket of PBX equipment ,while another end to the TEL1 □ or TEL2

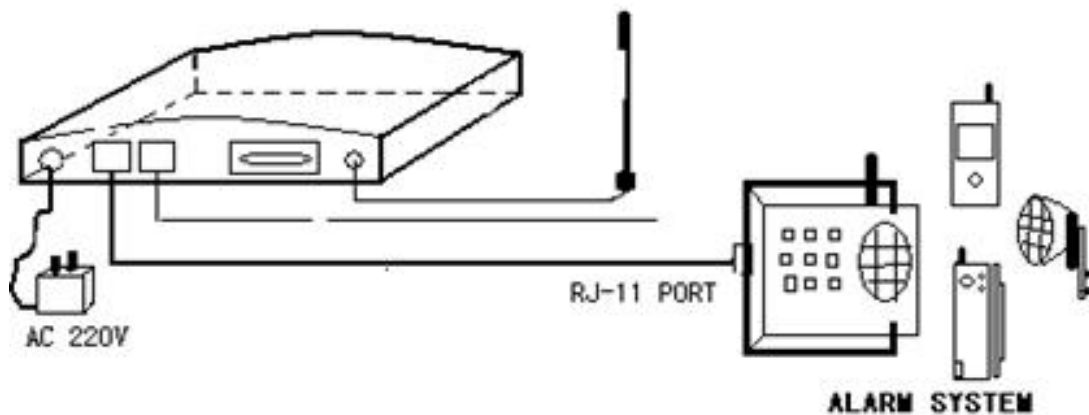
□ on the back of the wireless terminal.

## 5). Connection to VoIP gateway for call termination



With one end of the wire (the telephone line with crystal head) to the socket of VoIP Gateway (RJ-11 port) ,while another end to the TEL1 □ or TEL2 on the back of the wireless terminal.

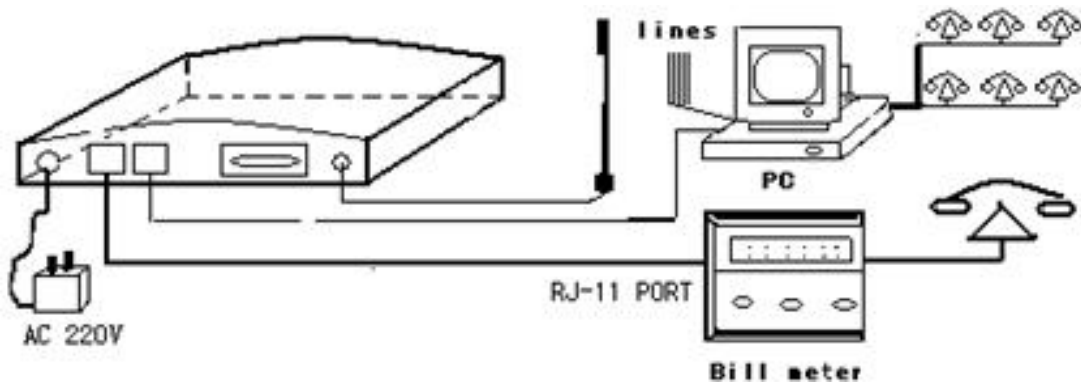
## 6).Connection to Alarm System for Security Purpose



With one end of the wire (the telephone line with crystal head) to the socket of Alarm System (RJ-11 port) ,while another end to the TEL1 □ or TEL2 on the back of the wireless terminal.

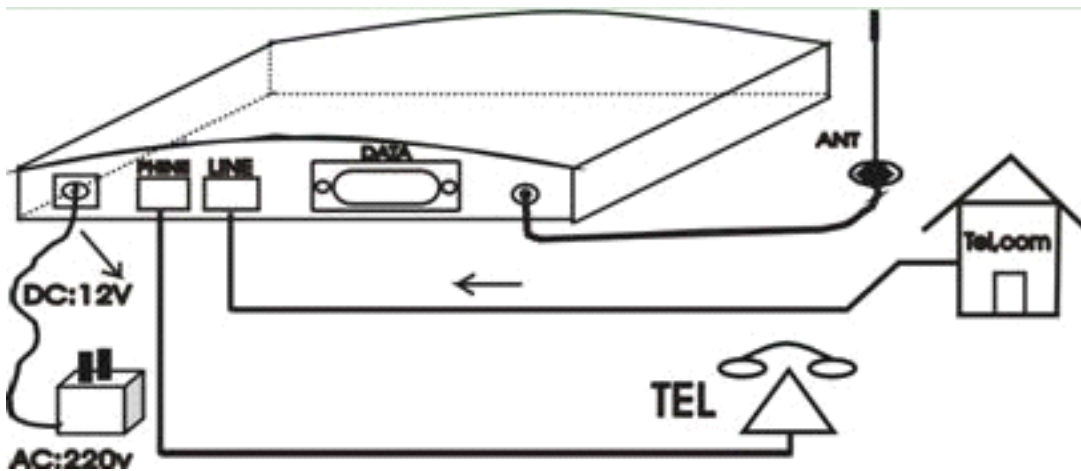
## 7).Connection to Billing System for Use as Payphone

# eTROSS



With one end of the wire (the telephone line with crystal head) to the socket of Bill meter (RJ-11 port) or to Meter board of PC ,while another end to the TEL1 □ or TEL2 on the back of the wireless terminal.

## 8).Connection to Fixed line (PSTN)(Optional)



With the PHONE Port to connect TEL with wire, And LINE Port to connect Fixed line of Tel.com with wire.

**(The default is dialing out from GSM, if you want to make call from PSTN, please press “#” before you input the number. And you can receive calls from call to PSTN and GSM number both.)**

## 7、FUNCTION SETTING

1. The right to call local No.



# eTROSS

---

“\*\*” —— “6 digit password” —— “1” —— “# or\*” ——hang up  
(#=prohibit to call \*= permit to call )

## 2. The right to call DDD

“\*\*” —— “6 digit password” —— “2” —— “# or\*” ——hang up  
(#=prohibit to call \*= permit to call )

## 3. The right to call IDD

“\*\*” —— “6 digit password ” —— “3” —— “# or\*” ——hang up  
(#=prohibit to call \*= permit to call )

## 4. Install to call in

“\*\*” —— “6 digit password” —— “4” —— “# or\*” ——hang up  
(#=prohibit to call in \*=permit to call in)

## 5. Install to call IP

“\*\*” —— “6 digit password” —— “5” —— “# or\*” ——hang up  
(#=prohibit to call IP \*=permit to call IP)

## 6. Modify 5 Digit Access to IP

“\*\*” —— “6 digit password” —— “6” —— “5 digital access to IP”  
(If not enough No. please use ‘#’ instead. Eg.: Install IP193  
put 193##) ——hang up

(5 digital access to IP should be 5 No.s, The access No. to IP should  
be caller’s IP No., eg 17909、17951、17911、17921、193##、17931 etc.)

## 7. Modify 6 digit password

“\*\*” —— “ Original 6 digit password” —— “7” —— “ New 6 digital pass  
word” ——hang up

# eTROSS

---

8. Install to have “zero” or not for the mobile phone of ex-cities  
“\*\*” —— “6 digit ” —— “8” —— “# or \*” ——hand up  
(#=use “zero” \*=Not use “zero”)
9. Reversal polarity  
“\*\*” —— “6 digit password” —— “9” —— “# or \*” ——hang up  
(#=prohibit to reversal polarity , \*=permit to reversal polarity)
10. Install to use local IP  
“\*\*” —— “6 digit password” —— “0” —— “# or \*” ——hand up  
(#=prohibit to call local IP \*=permit to call local IP)
11. Initialize System :  
“\*\*” —— “6 digit password” —— “#”  
(the initial password:000000 or 123456, the default status for local call permit, DDD call permit, IDD call permit, reversal-polarity permit; local IP, Long distance IP, local IP, long distance IP, Prohibit,)

## **8、NOTES:**

1. In order to reduce the affect of other electronics products to wireless terminal, please keep the distance at least 1 meter between them.
2. The frequency of Wireless terminal may affect some electronics equipments, so don't use the wireless terminal in the area where the wireless equipments are prohibited to use.
3. Don't pull out or plug in SIM card frequently if not necessary, if

# eTROSS

---

the spring of SIM card holder is not properly touched, please curve warp the spring so that it can be touched properly , and work properly

4. Don't switch frequently the power of wireless terminal, the interval between the two switches should be over 10 seconds and more, otherwise there may be some damage to it.

# eTROSS

## Warranty Card

Please fill in the blanks carefully, and keep it properly as the voucher for warranty.

Type of Equipment	Etross-8818 GSM Fixed Wireless Terminal		
User's name		Contact with:	
Contact Tel.no.			
Address			
Date of Ex-works			
Date of Maintenance	Damage	Management	Maintainer
Sales Agent (Stamp)		Purchasing Date	